



US00D599406S

(12) **United States Design Patent**  
**Flores**

(10) **Patent No.:** **US D599,406 S**  
(45) **Date of Patent:** **\*\* Sep. 1, 2009**

(54) **NOTEPAD HOLDER**

(75) Inventor: **Farah Lee Flores**, Hollywood, FL (US)

(73) Assignee: **Bullet Line, LLC**, Miami, FL (US)

(\*\*) Term: **14 Years**

(21) Appl. No.: **29/313,536**

(22) Filed: **Jan. 20, 2009**

(51) **LOC (9) Cl.** ..... **19-02**

(52) **U.S. Cl.** ..... **D19/86**

(58) **Field of Classification Search** ..... D3/201,  
D3/203.2, 215, 247, 273, 294, 298, 314;  
D6/634; D19/75, 77-87, 90-92; 206/37,  
206/215, 425, 449, 555, 575; 211/45, 50  
See application file for complete search history.

(56) **References Cited**

**U.S. PATENT DOCUMENTS**

2,943,758	A *	7/1960	Harris	.....	220/4.01
D268,714	S *	4/1983	Goedel	.....	D3/295
D350,850	S *	9/1994	Angelini	.....	D3/273
5,427,254	A *	6/1995	Knieriem	.....	211/50
D369,239	S *	4/1996	Deutch	.....	D3/247
D435,170	S *	12/2000	Haapala	.....	D3/252
D459,887	S *	7/2002	Johnson	.....	D3/303
D501,113	S *	1/2005	Bergh	.....	D6/631
D514,863	S *	2/2006	Fair	.....	D6/633
D544,711	S *	6/2007	Mundy et al.	.....	D3/247

D547,544	S *	7/2007	Hussaini et al.	.....	D3/201
D566,192	S *	4/2008	Bhavnani	.....	D19/92
D567,864	S *	4/2008	Bhavnani	.....	D19/92

\* cited by examiner

*Primary Examiner*—Elizabeth A Albert

(74) *Attorney, Agent, or Firm*—Malloy & Malloy, P.A.

(57) **CLAIM**

The ornamental design for a notepad holder, as shown and described.

**DESCRIPTION**

FIG. 1 is a front perspective view illustrating my design for a notepad holder;

FIG. 2 is a front view thereof;

FIG. 3 is a left side view thereof;

FIG. 4 is a top view thereof;

FIG. 5 is a right side view thereof;

FIG. 6 is a bottom view thereof;

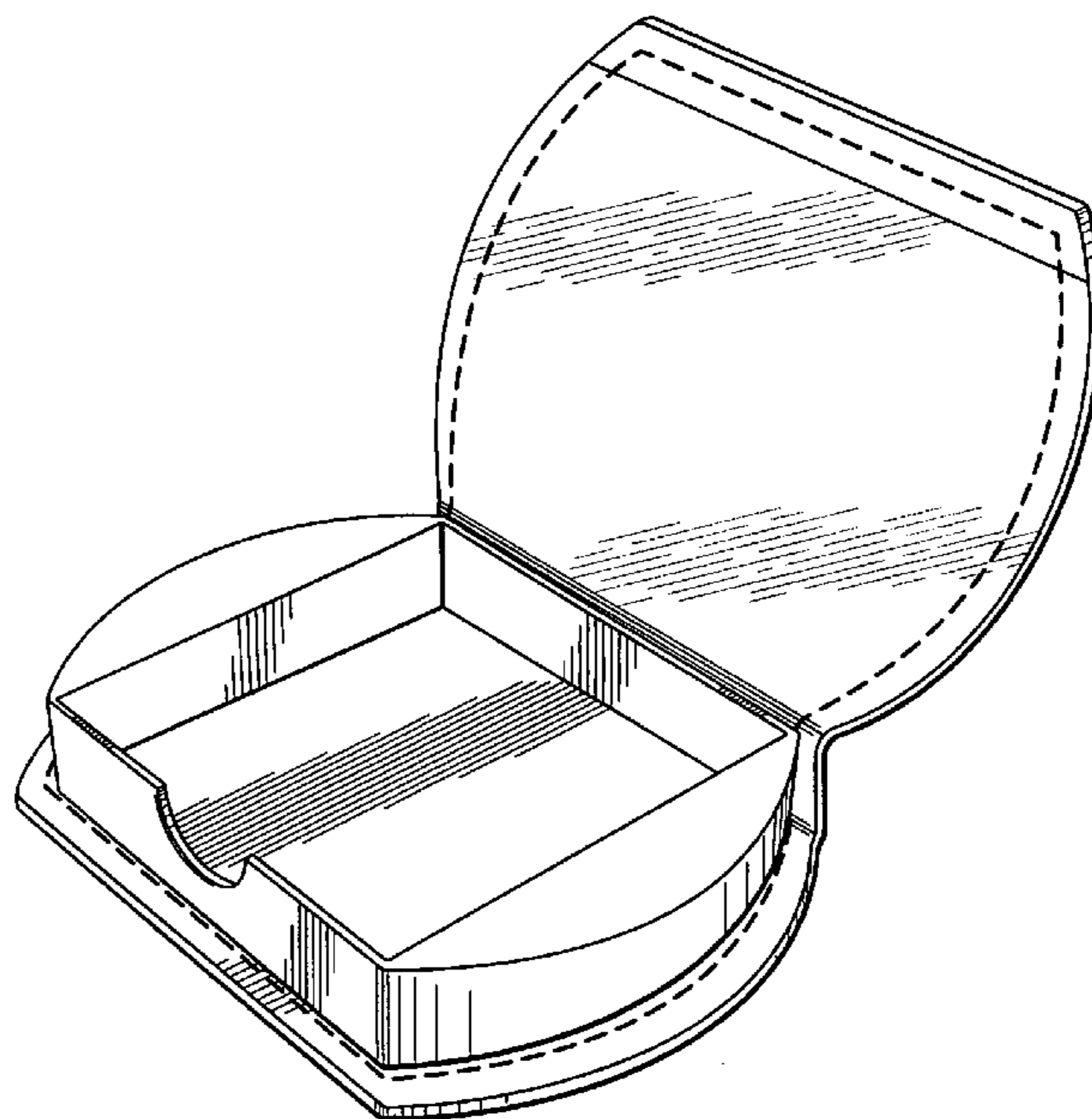
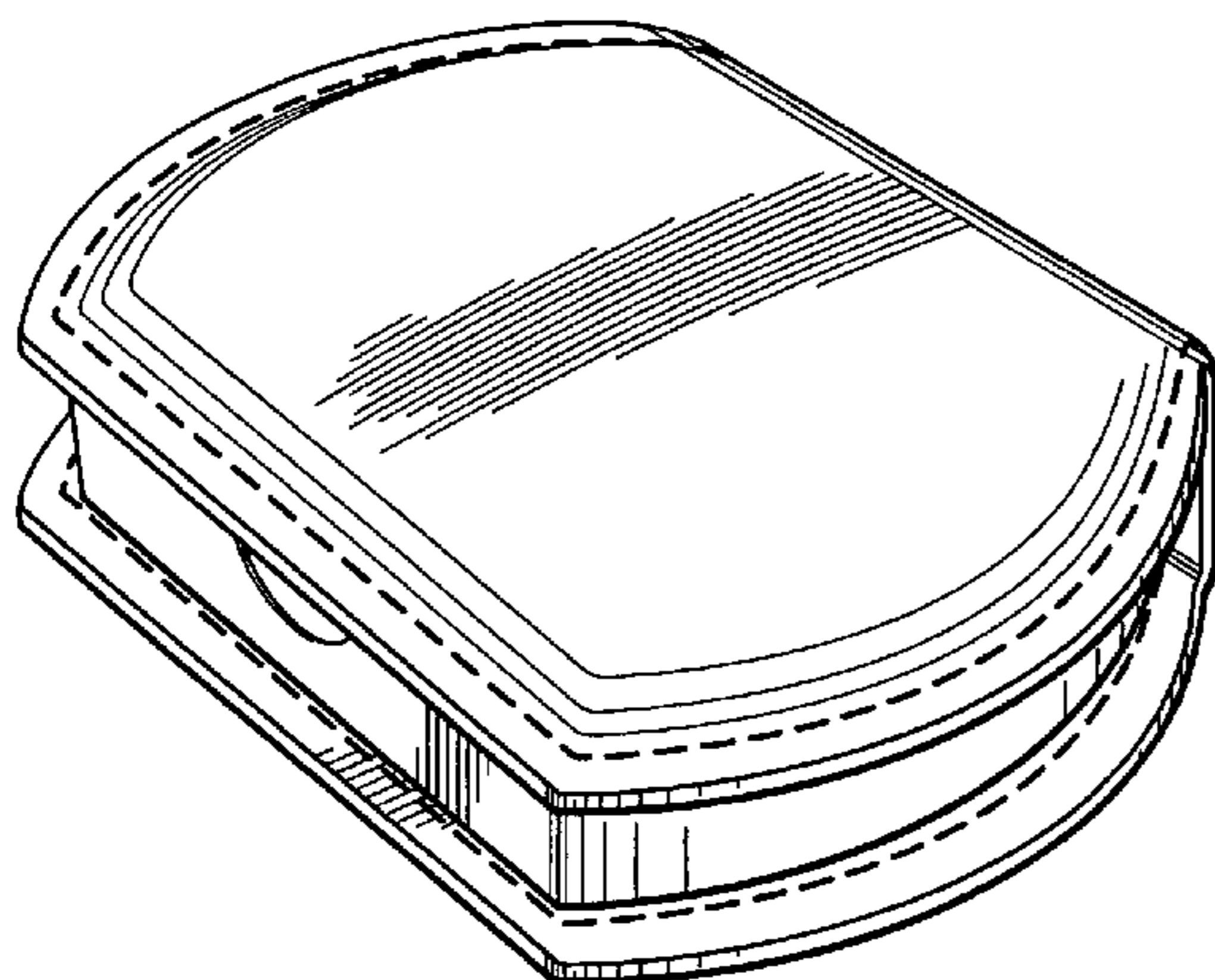
FIG. 7 is a rear view thereof;

FIG. 8 is a perspective view in open position thereof; and,

FIG. 9 is a top view in open position thereof.

The broken lines shown in the drawings represent stitching and are a part of the claimed design.

**1 Claim, 5 Drawing Sheets**



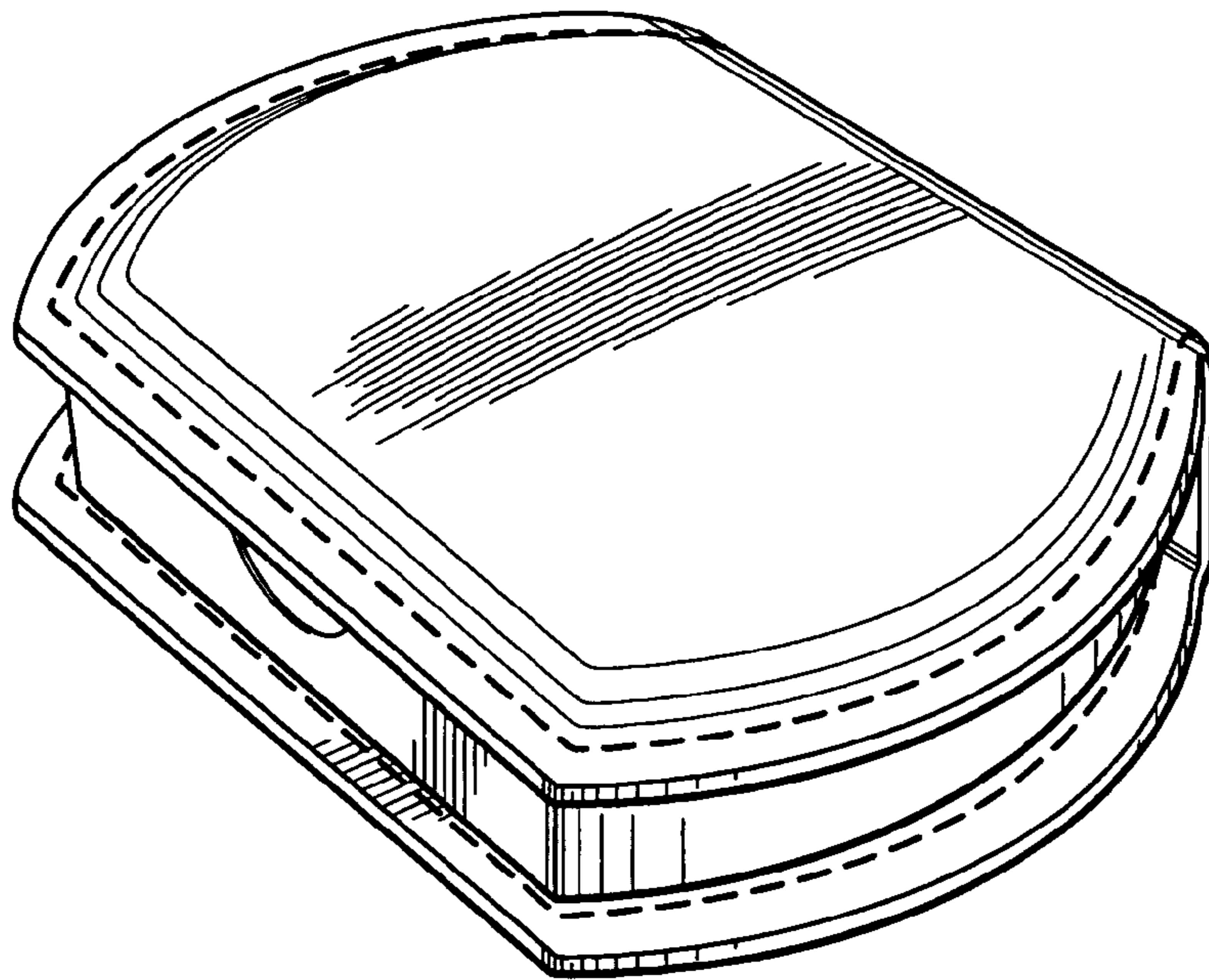


FIG. 1

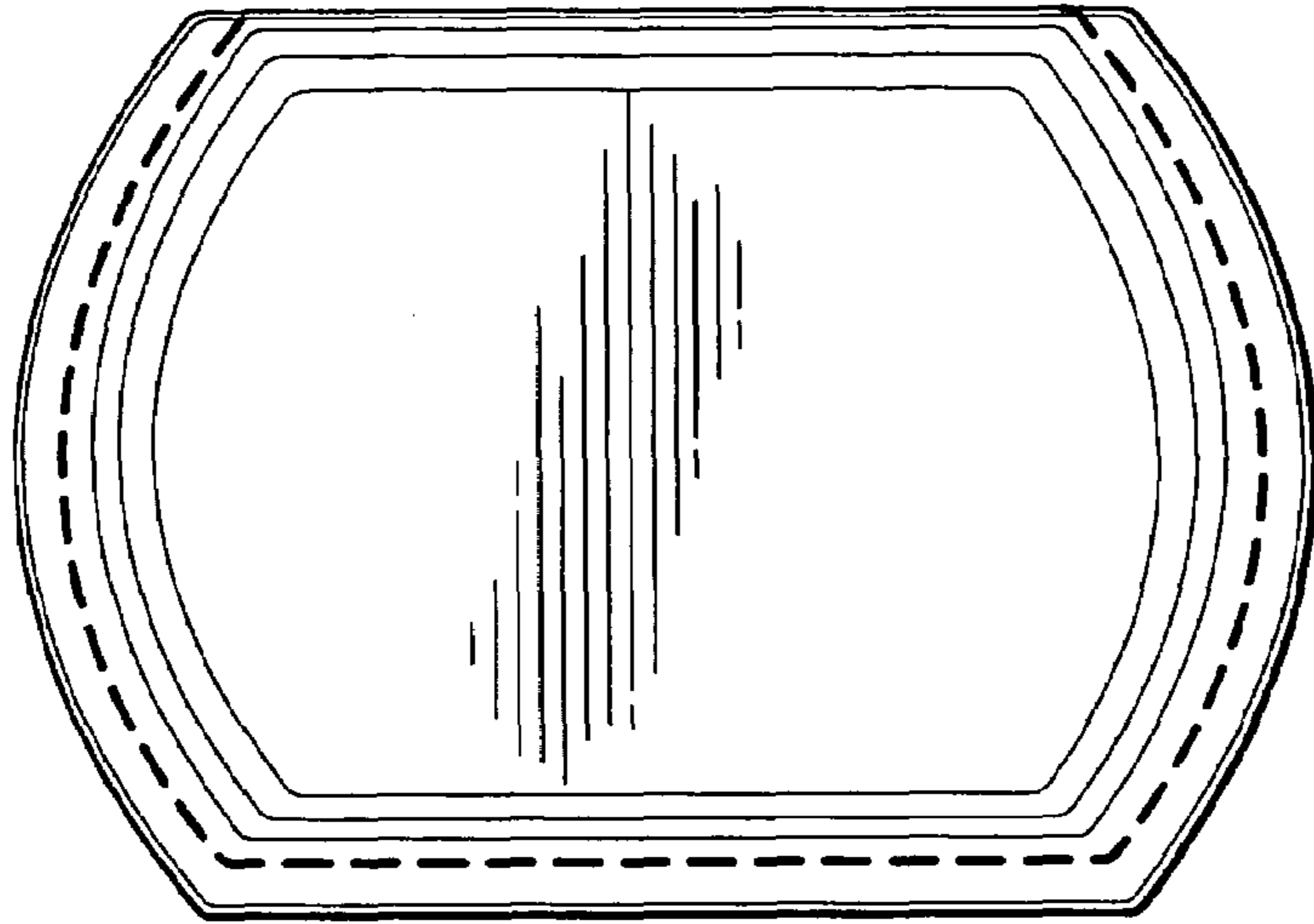


FIG. 4

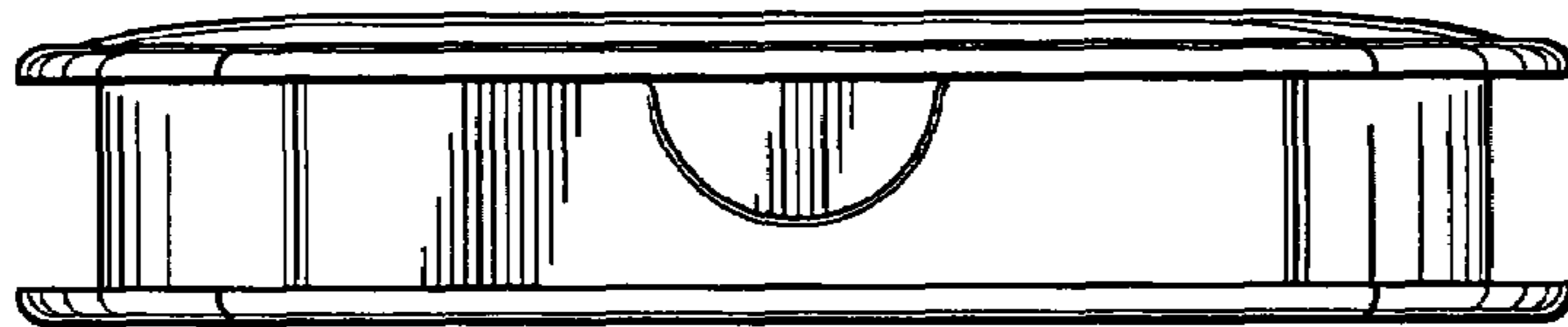


FIG. 2

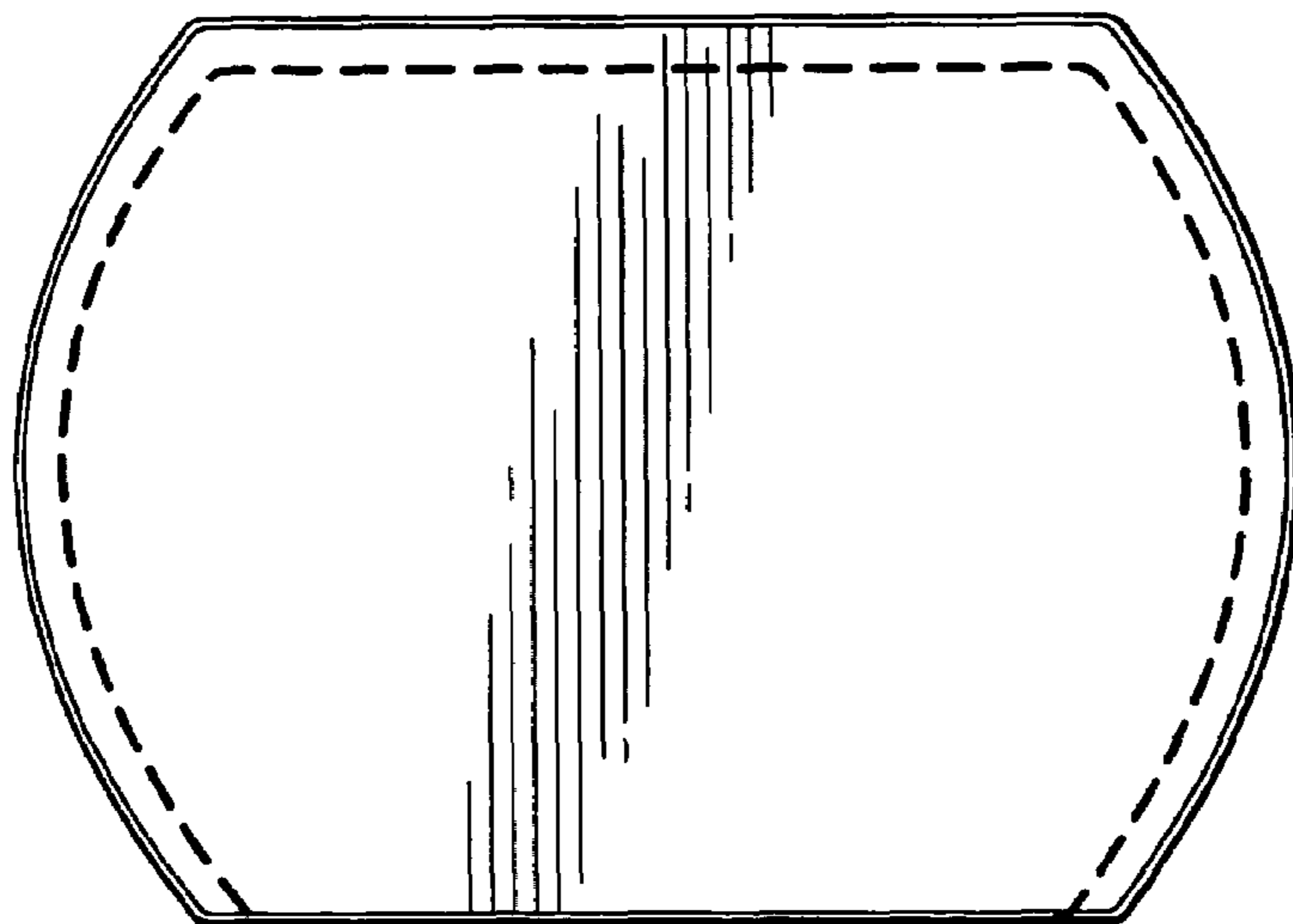


FIG. 6

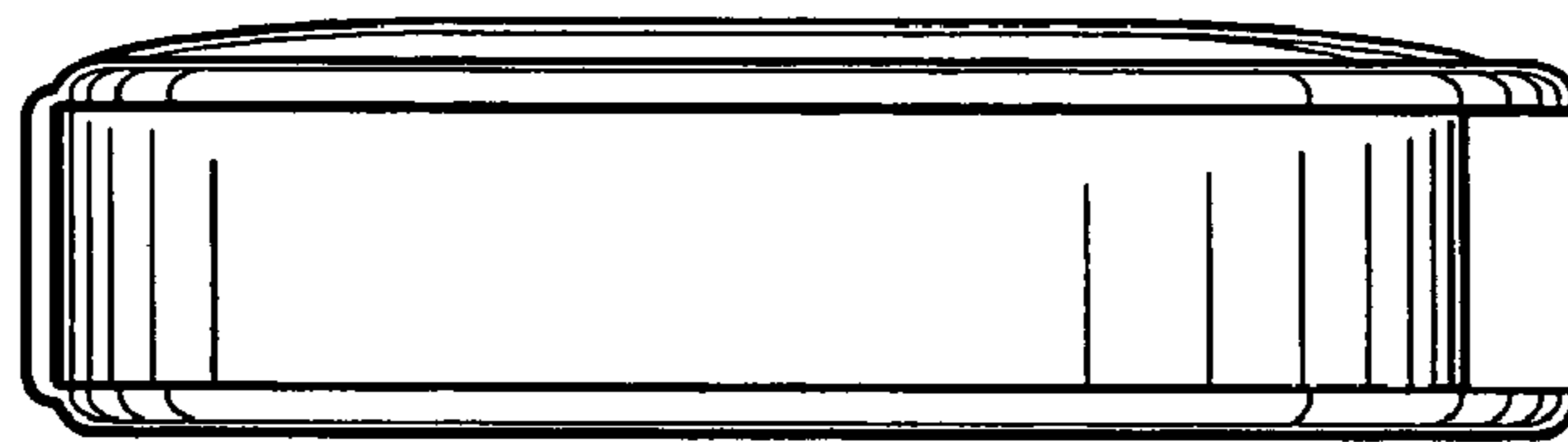


FIG. 3

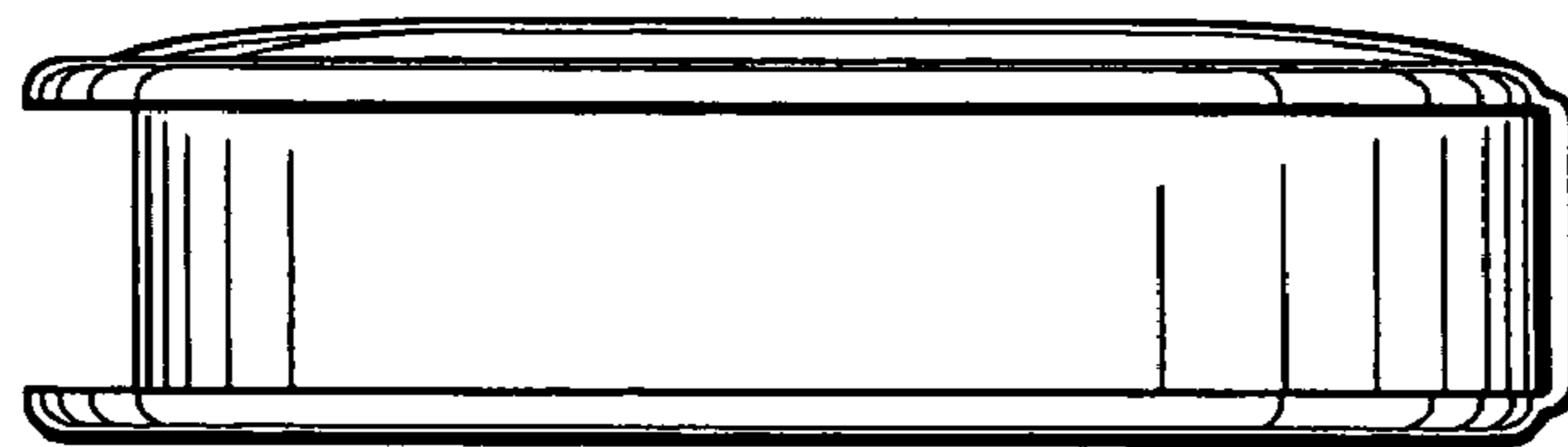


FIG. 5

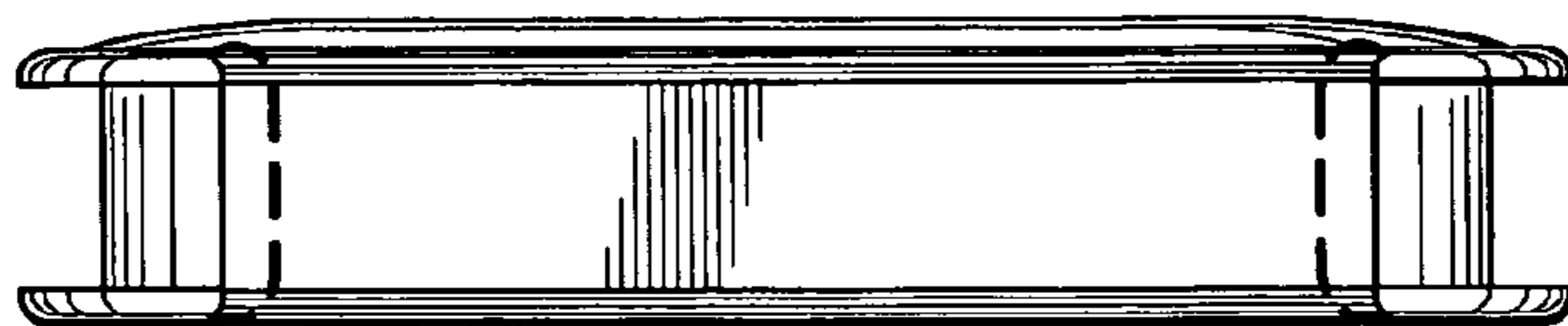


FIG. 7

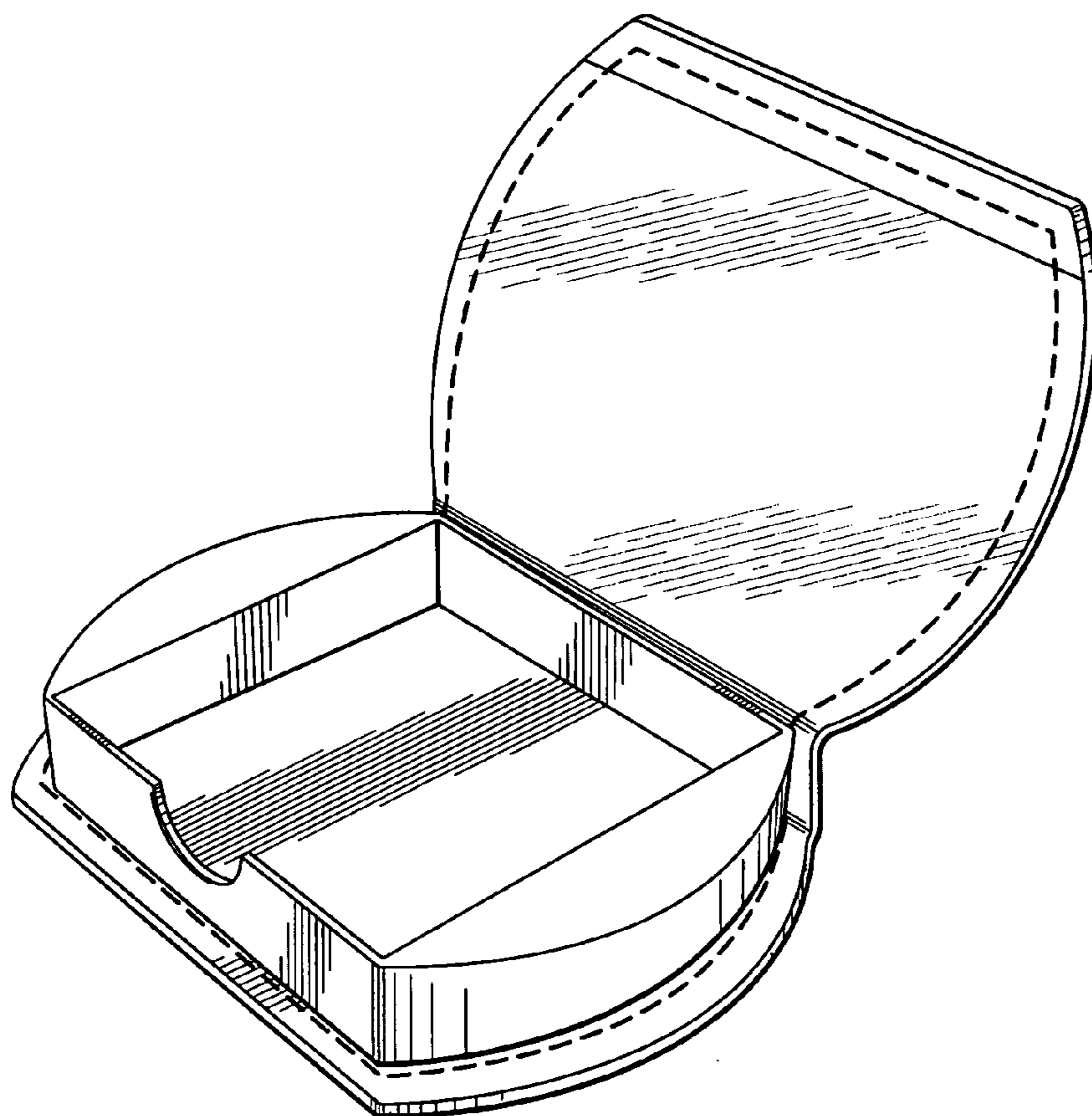


FIG. 8

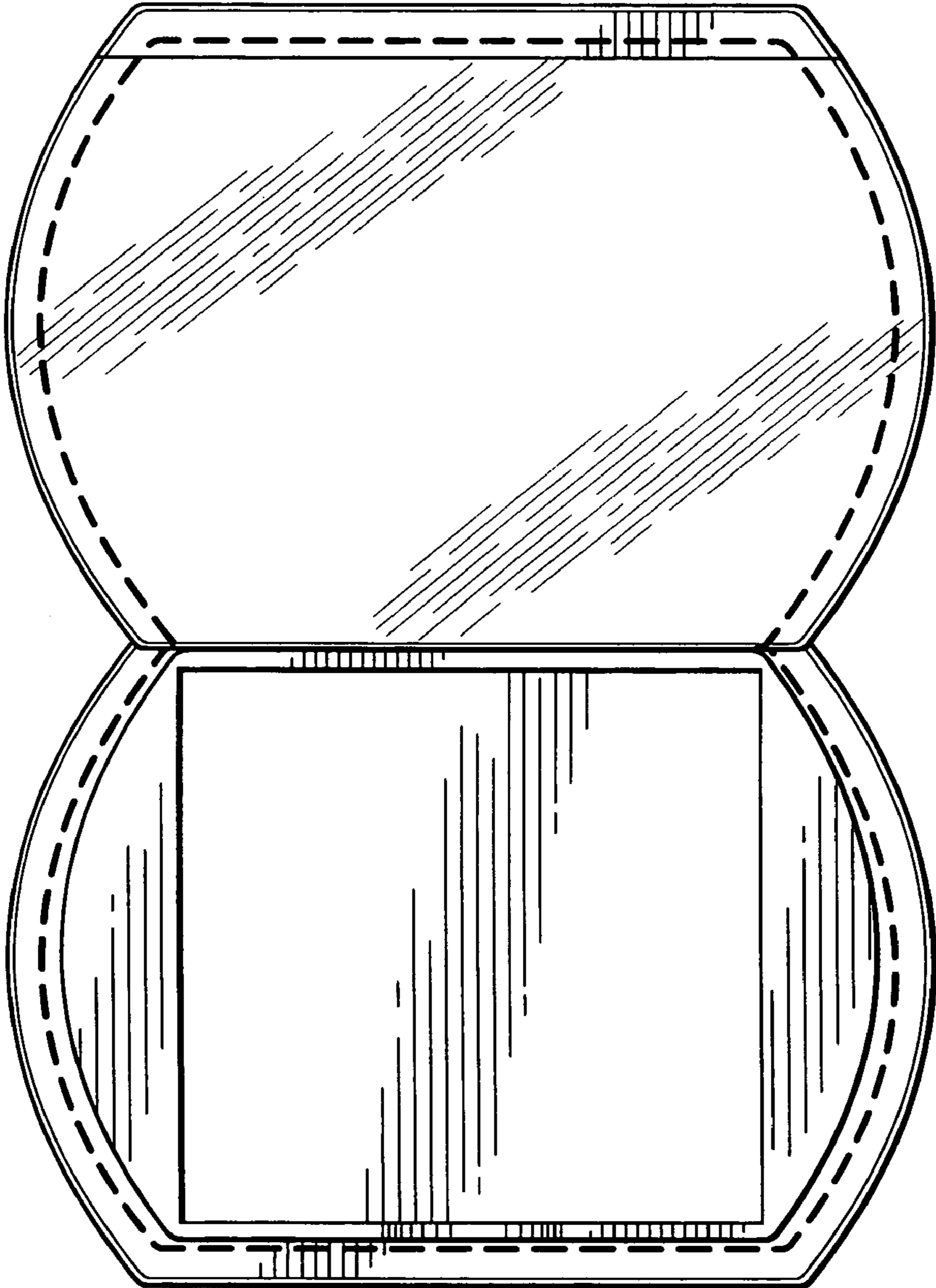


FIG. 9