



US00D599404S

(12) **United States Design Patent**
Hung

(10) **Patent No.:** **US D599,404 S**

(45) **Date of Patent:** **** Sep. 1, 2009**

(54) **MARKER**

(75) Inventor: **Peter M. H. Hung**, Kowloon (HK)

(73) Assignee: **Fulon Development Limited**, Kowloon (HK)

(**) Term: **14 Years**

(21) Appl. No.: **29/328,279**

(22) Filed: **Nov. 21, 2008**

(51) **LOC (9) Cl.** **19-06**

(52) **U.S. Cl.** **D19/51**

(58) **Field of Classification Search** D19/35,
D19/36, 41-51, 53-57; 24/11 F, 11 P, 11 R;
401/52, 99, 100, 104-109, 192, 195, 196
See application file for complete search history.

(56) **References Cited**

U.S. PATENT DOCUMENTS

2,473,688	A	*	6/1949	Martin	24/11 P
D182,162	S	*	2/1958	Carreiro	D19/51
D182,163	S	*	2/1958	Carreiro	D19/57
D198,419	S	*	6/1964	Hankins	D19/49
D217,647	S	*	5/1970	De Groft	D19/57
D253,060	S	*	10/1979	Itoh	D19/48
D305,551	S	*	1/1990	Oka	D19/57
D330,911	S	*	11/1992	Tu	D19/51
D452,271	S	*	12/2001	Owen et al.	D19/43
D480,421	S	*	10/2003	Hui	D19/43
D496,961	S	*	10/2004	Daida	D19/43
D509,246	S	*	9/2005	Hung	D19/43

D523,083	S	*	6/2006	Furlong et al.	D19/57
D553,190	S	*	10/2007	Qiu	D19/48
D564,586	S	*	3/2008	Kwok	D19/50
D572,760	S	*	7/2008	Ma	D19/50
D575,340	S	*	8/2008	Ma	D19/50
D576,677	S	*	9/2008	Jeon	D19/50
D577,066	S	*	9/2008	Zhao et al.	D19/50
D583,866	S	*	12/2008	Eddington et al.	D19/49

FOREIGN PATENT DOCUMENTS

EM 001092100-0003 * 2/2009

* cited by examiner

Primary Examiner—Elizabeth A Albert

(74) *Attorney, Agent, or Firm*—Rabin & Berdo, P.C.

(57) **CLAIM**

The ornamental design for a marker, as shown and described.

DESCRIPTION

FIG. 1 is a perspective view of a marker showing my new design;

FIG. 2 is a perspective view with cap separated thereof;

FIG. 3 is a front view thereof;

FIG. 4 is a left side view thereof;

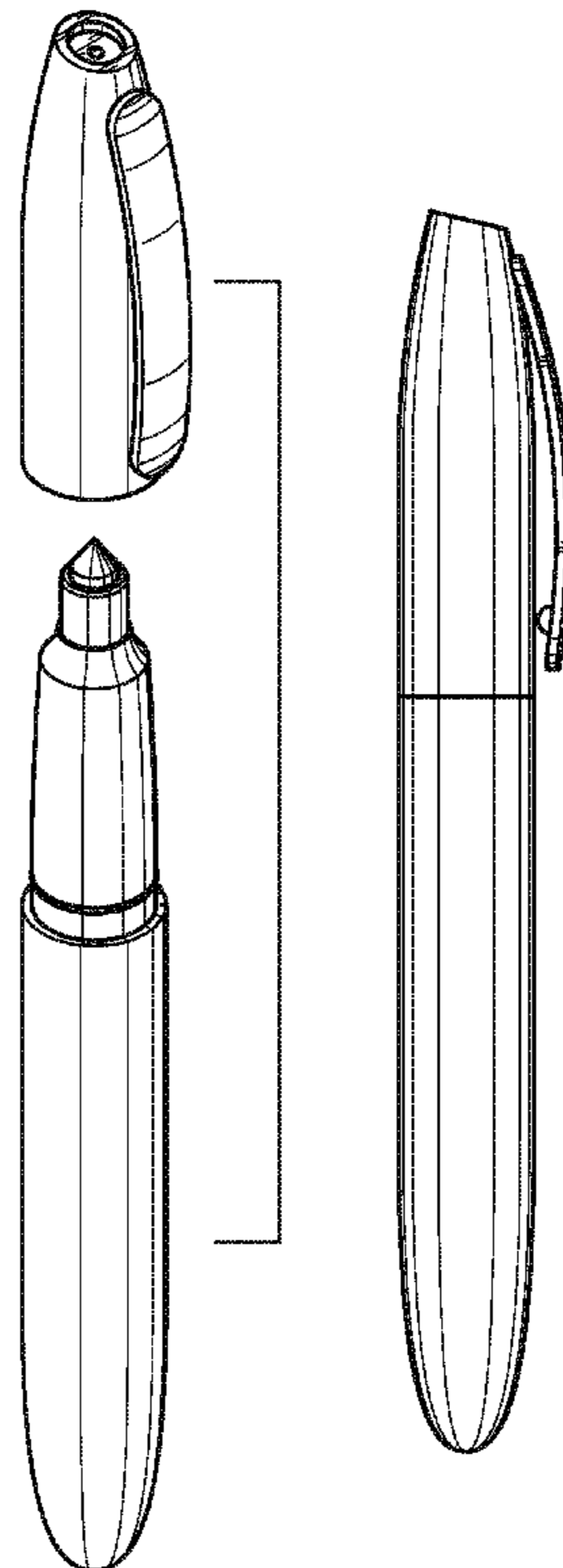
FIG. 5 is a right side view thereof;

FIG. 6 is a rear view thereof;

FIG. 7 is a top view thereof; and,

FIG. 8 is a bottom view thereof.

1 Claim, 2 Drawing Sheets



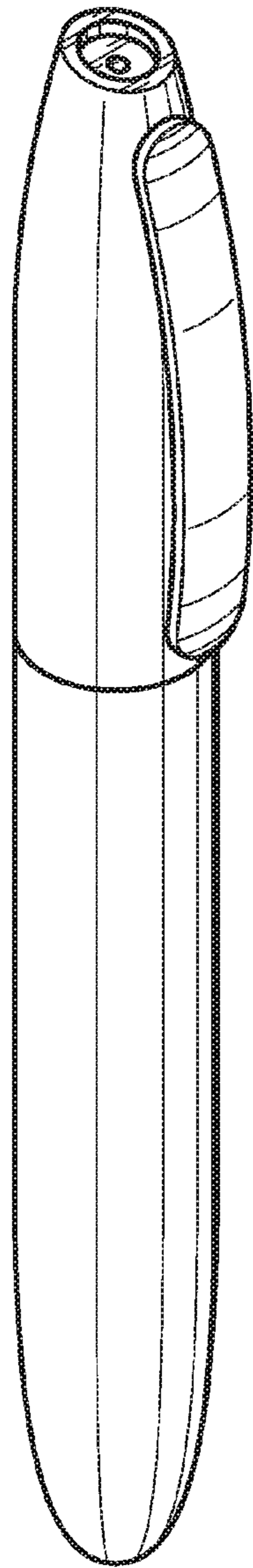


FIG. 1

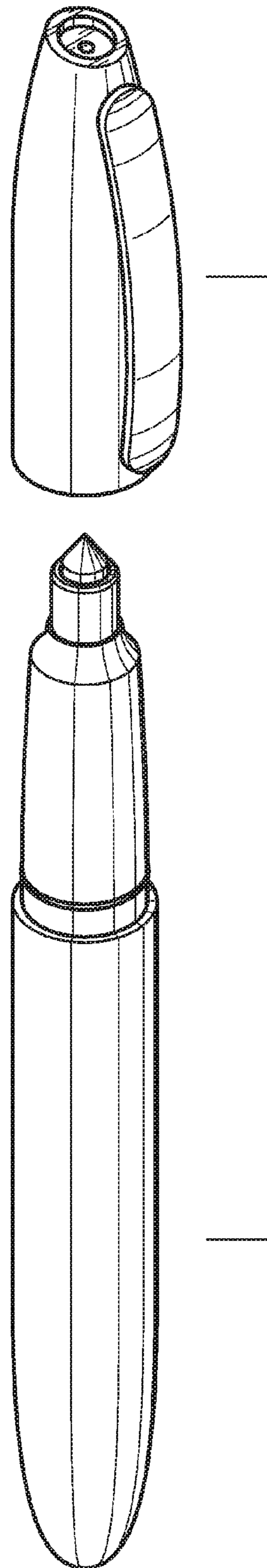


FIG. 2

FIG. 7

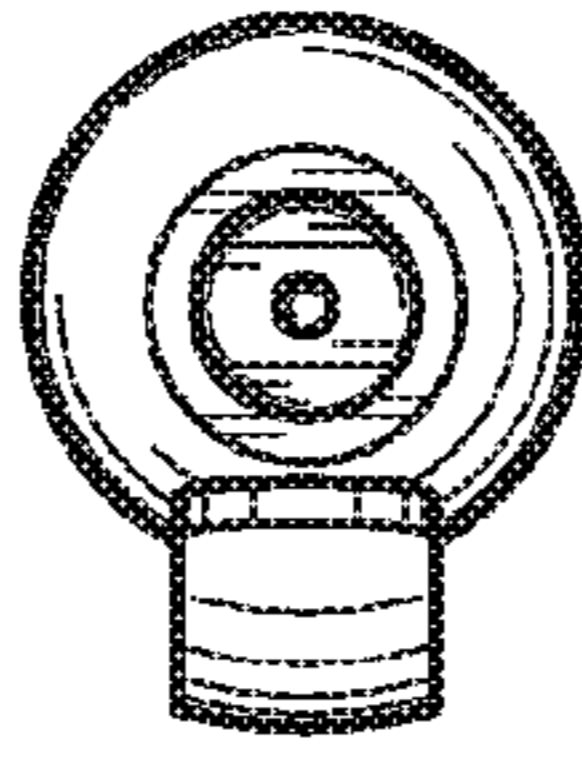


FIG. 8

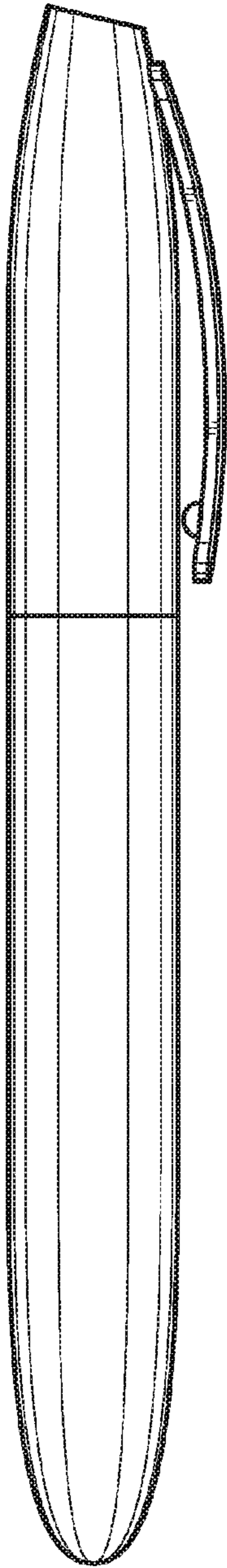
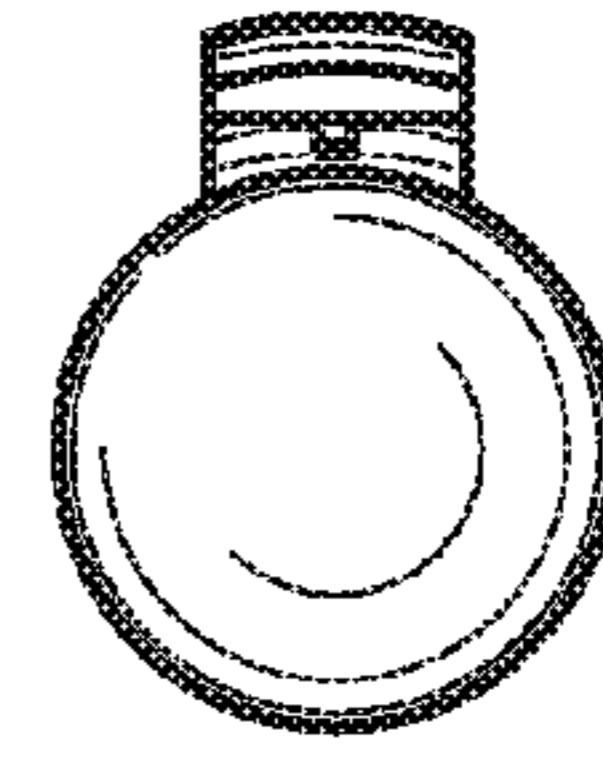


FIG. 4

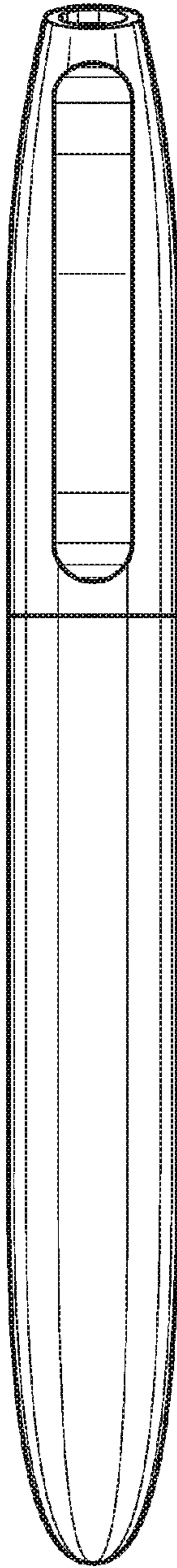


FIG. 3

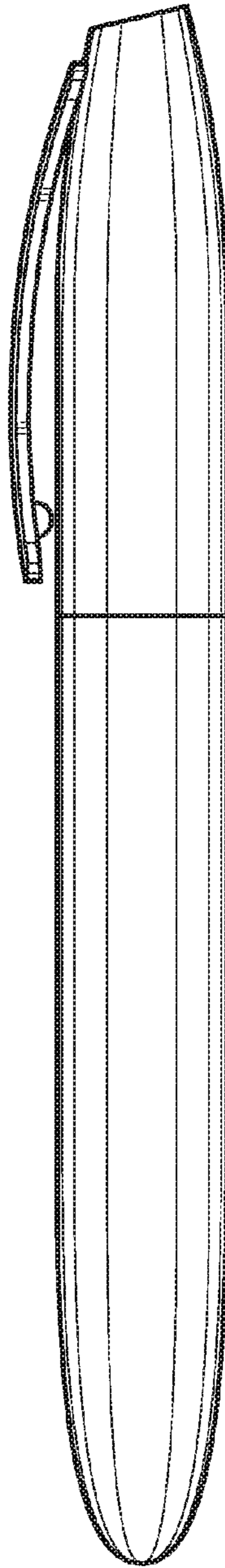


FIG. 5

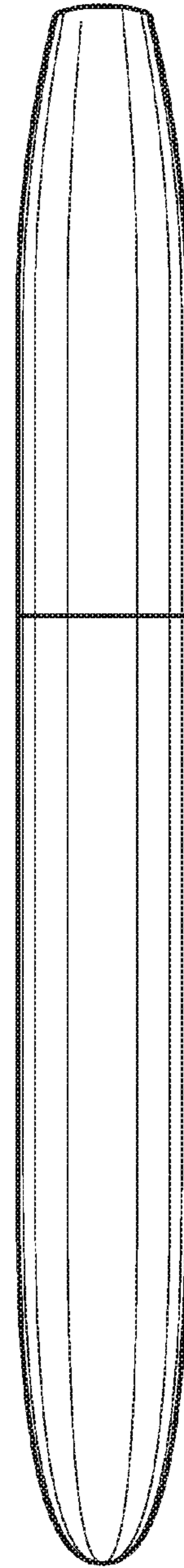


FIG. 6