

US00D599393S

(12) **United States Design Patent**
Takeda et al.

(10) **Patent No.:** **US D599,393 S**

(45) **Date of Patent:** **** Sep. 1, 2009**

(54) **PROJECTOR**

(75) Inventors: **Mikiya Takeda**, Tokyo (JP); **Takashi Matsuda**, Tokyo (JP)

(73) Assignee: **NEC Display Solutions Ltd.**, Tokyo (JP)

(**) Term: **14 Years**

(21) Appl. No.: **29/319,867**

(22) Filed: **Jun. 17, 2008**

(30) **Foreign Application Priority Data**

Dec. 25, 2007 (JP) 2007-035482

(51) **LOC (9) Cl.** **16-02**

(52) **U.S. Cl.** **D16/225; D16/230**

(58) **Field of Classification Search** D16/200–205,
D16/208, 213, 221, 225, 230–231, 234; D21/514;
352/34, 242–243; 353/115, 119, 122
See application file for complete search history.

(56) **References Cited**

U.S. PATENT DOCUMENTS

D371,148 S * 6/1996 Kobayashi D16/221
D410,020 S * 5/1999 Adachi D16/231
6,135,600 A * 10/2000 Fujimori 353/119
D451,941 S * 12/2001 Takizawa D16/230

D470,163 S * 2/2003 Kim D16/230
6,698,899 B2 * 3/2004 Yamada et al. 353/61
D510,098 S * 9/2005 Ishikawa et al. D16/231
D522,561 S * 6/2006 Ikeuchi et al. D16/230
7,210,796 B2 * 5/2007 Iinuma et al. 353/98
D552,657 S * 10/2007 Oota D16/230

* cited by examiner

Primary Examiner—Ian Simmons

Assistant Examiner—Wan Laymon

(74) *Attorney, Agent, or Firm*—Sughrue Mion, PLLC

(57) **CLAIM**

The ornamental design for a projector, as shown.

DESCRIPTION

FIG. 1 is a front, left side, top perspective view of a projector showing our new design;

FIG. 2 is a front elevational view thereof;

FIG. 3 is a rear elevational view thereof;

FIG. 4 is a left side view thereof;

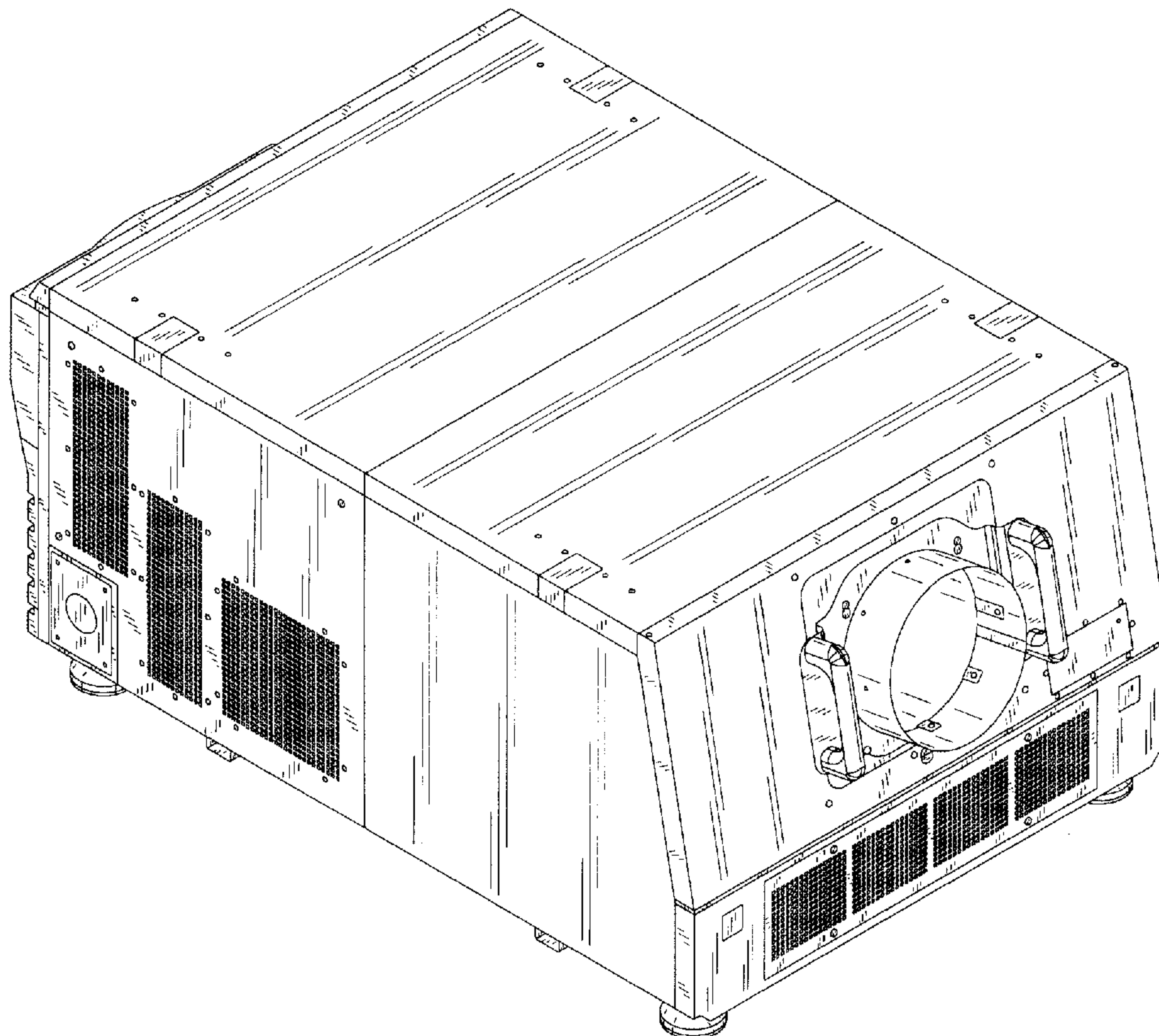
FIG. 5 is an enlarged right side view thereof;

FIG. 6 is a top plan view thereof; and,

FIG. 7 is a bottom plan view thereof.

The broken lines shown in the drawing are for illustrative purposes only and form no part of the claimed design.

1 Claim, 6 Drawing Sheets



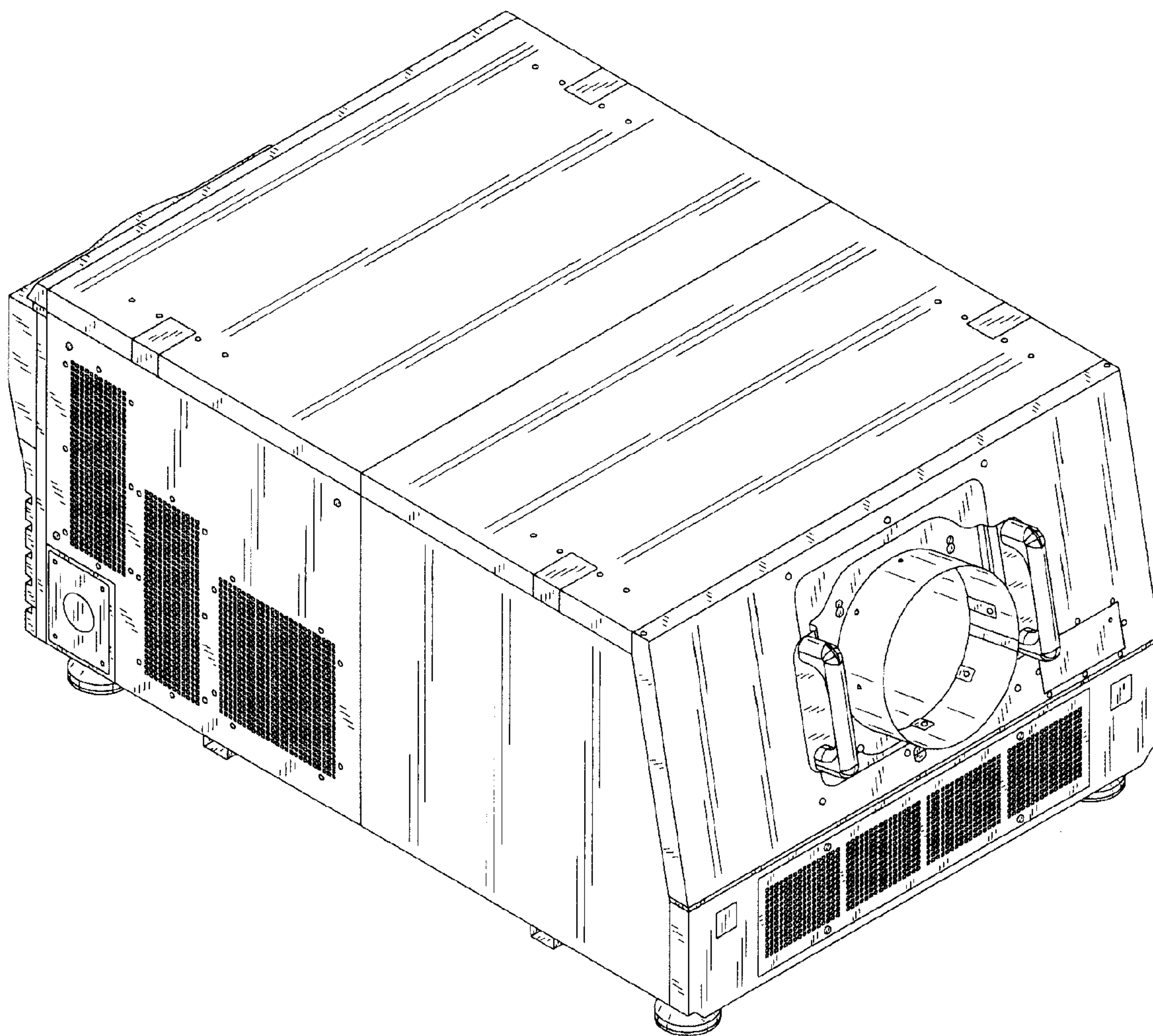


FIG. 1

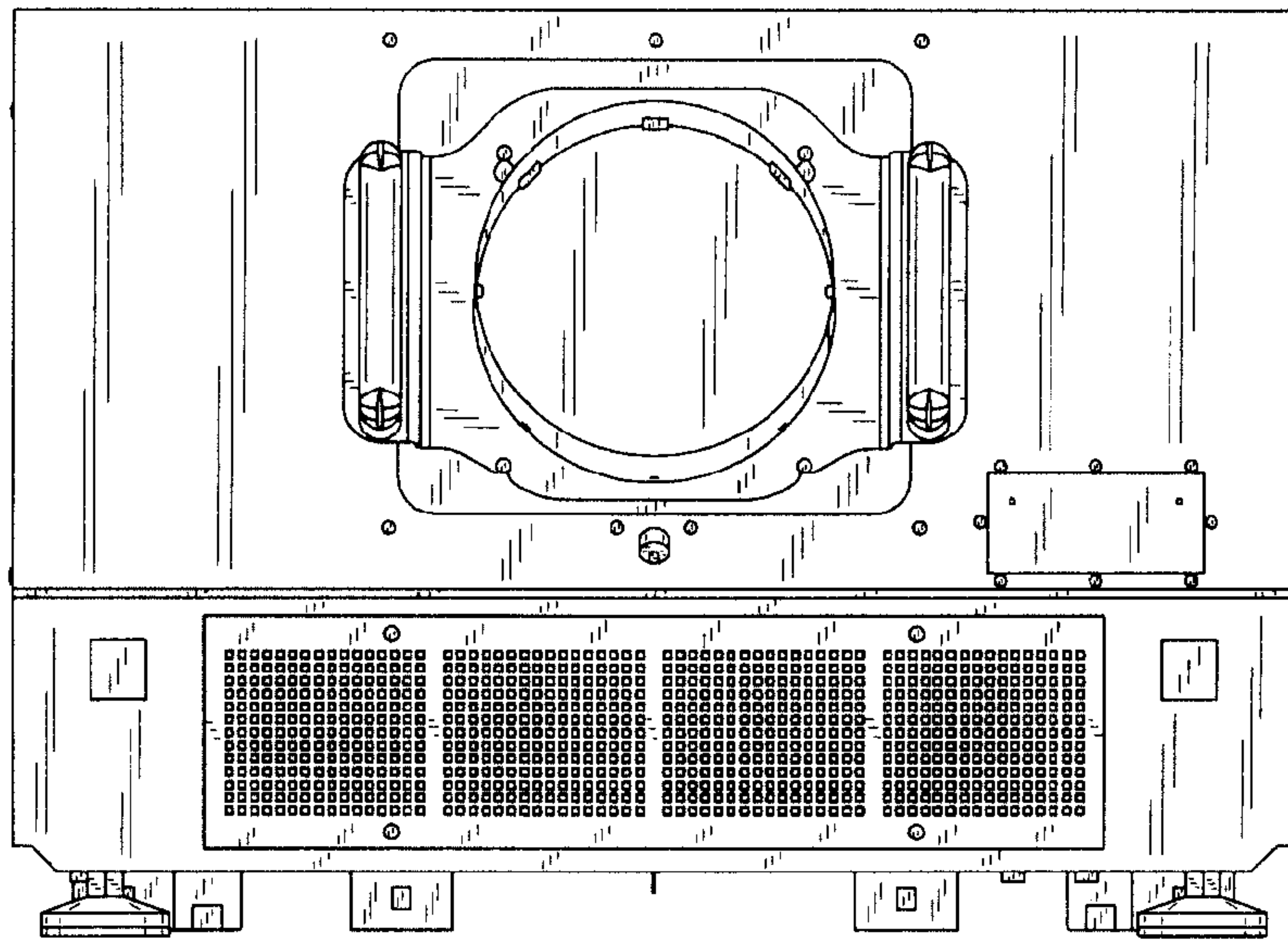


FIG. 2

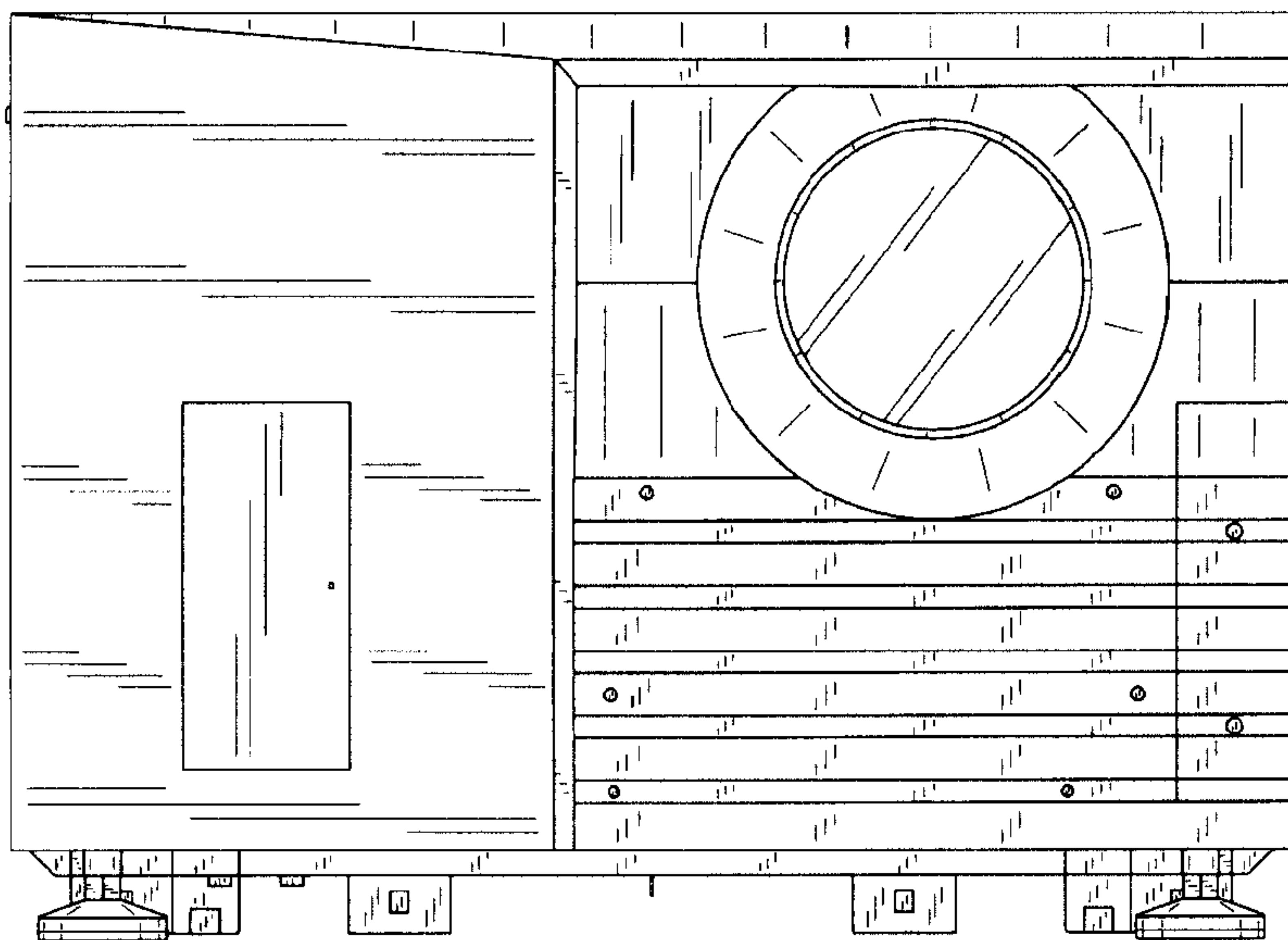


FIG. 3

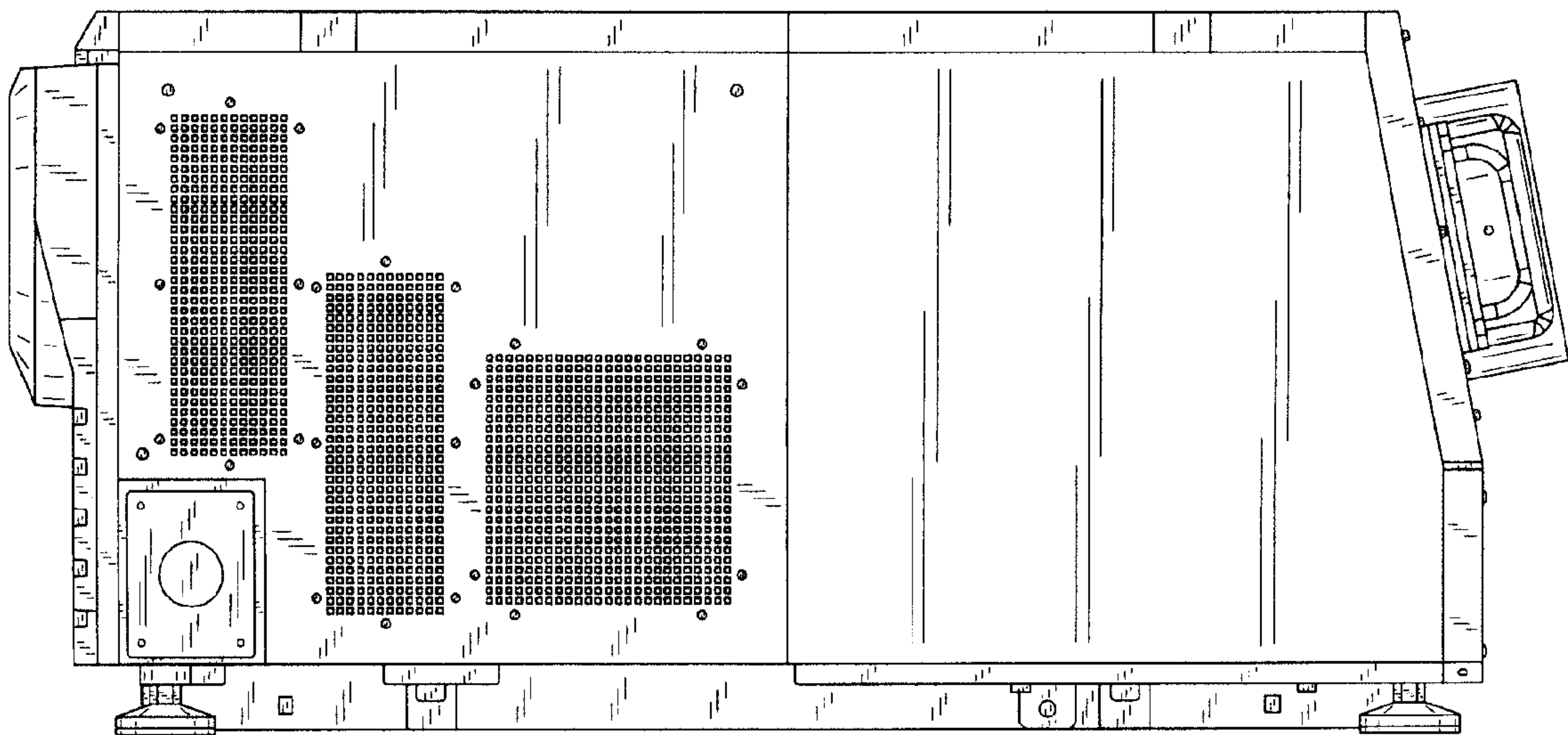


FIG. 4

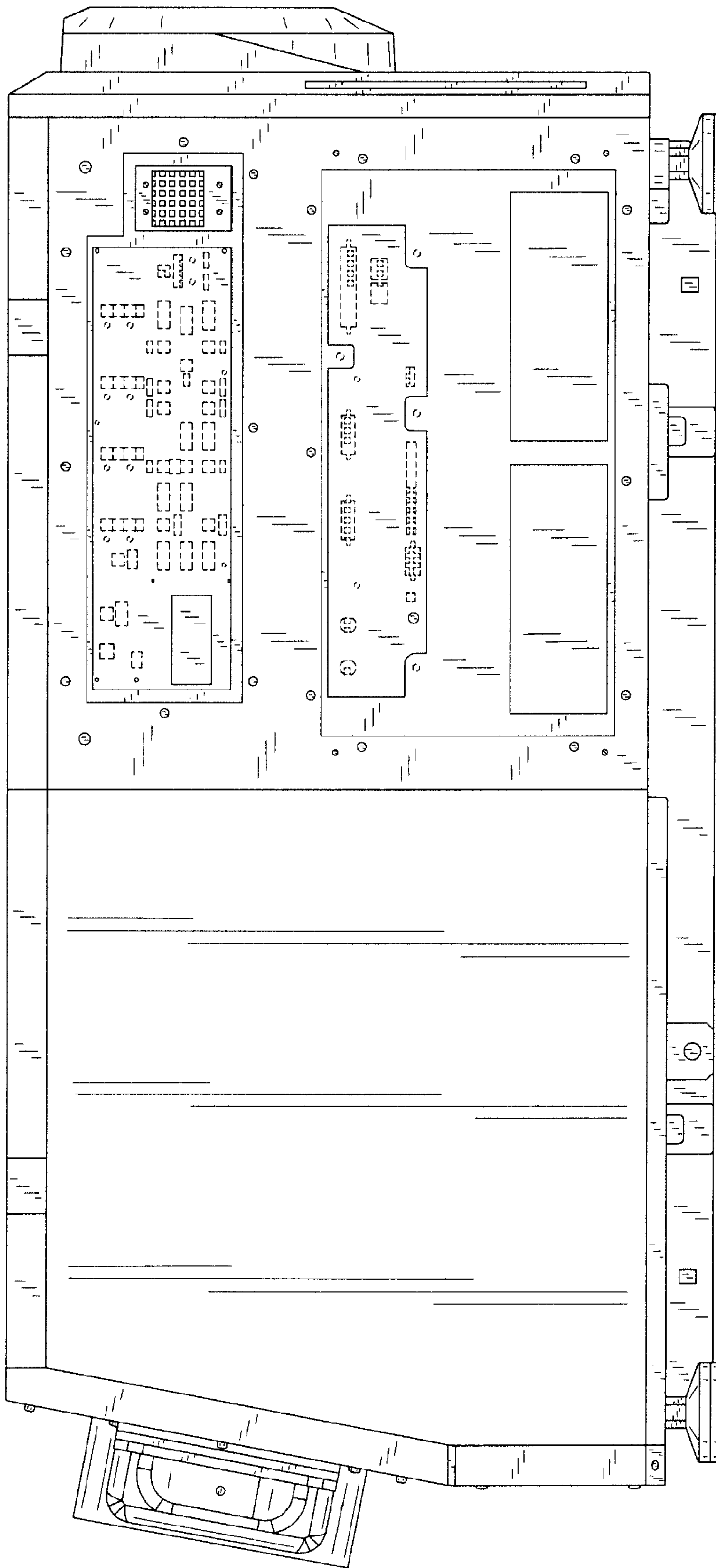


FIG. 5

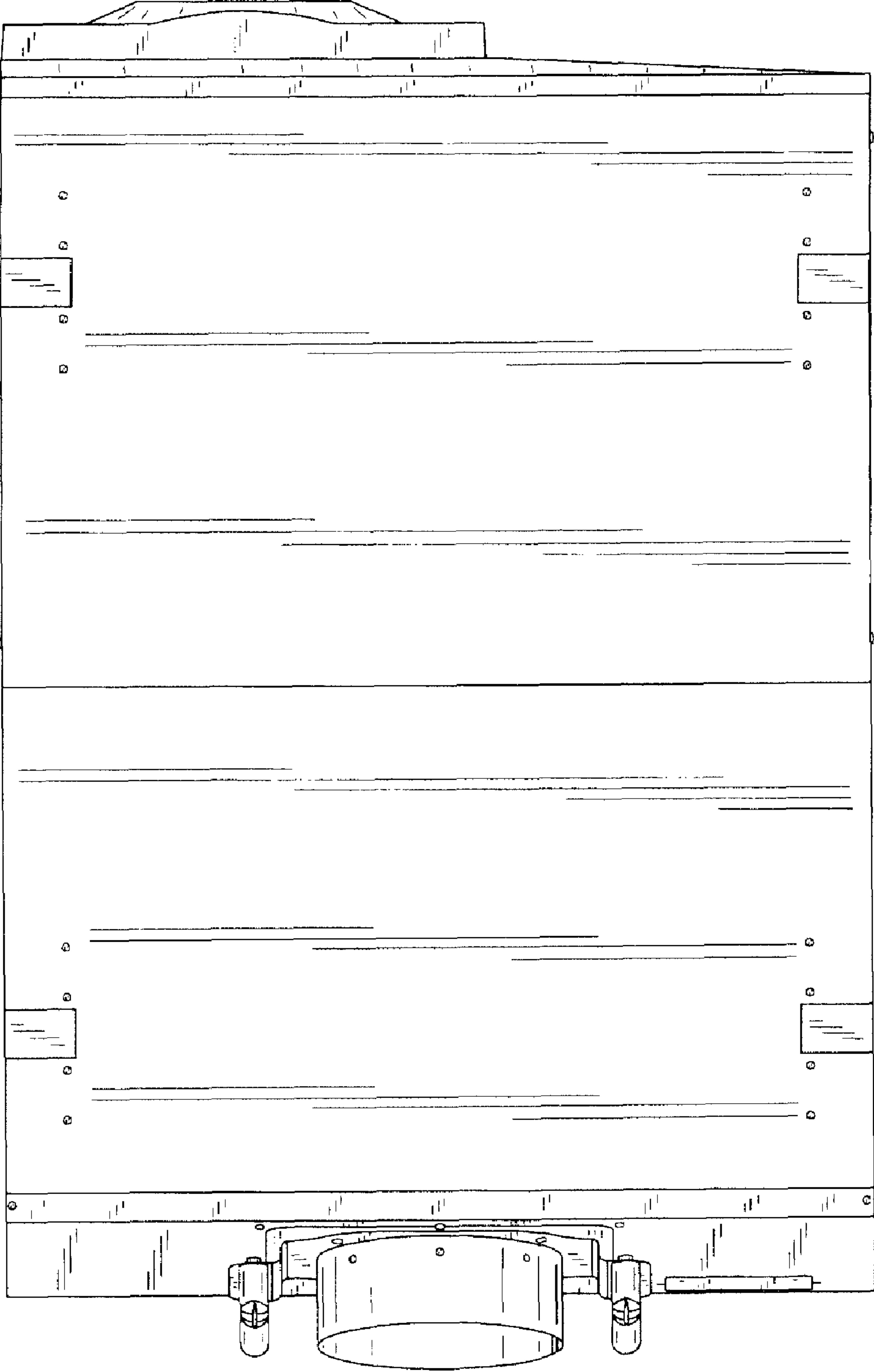


FIG. 6

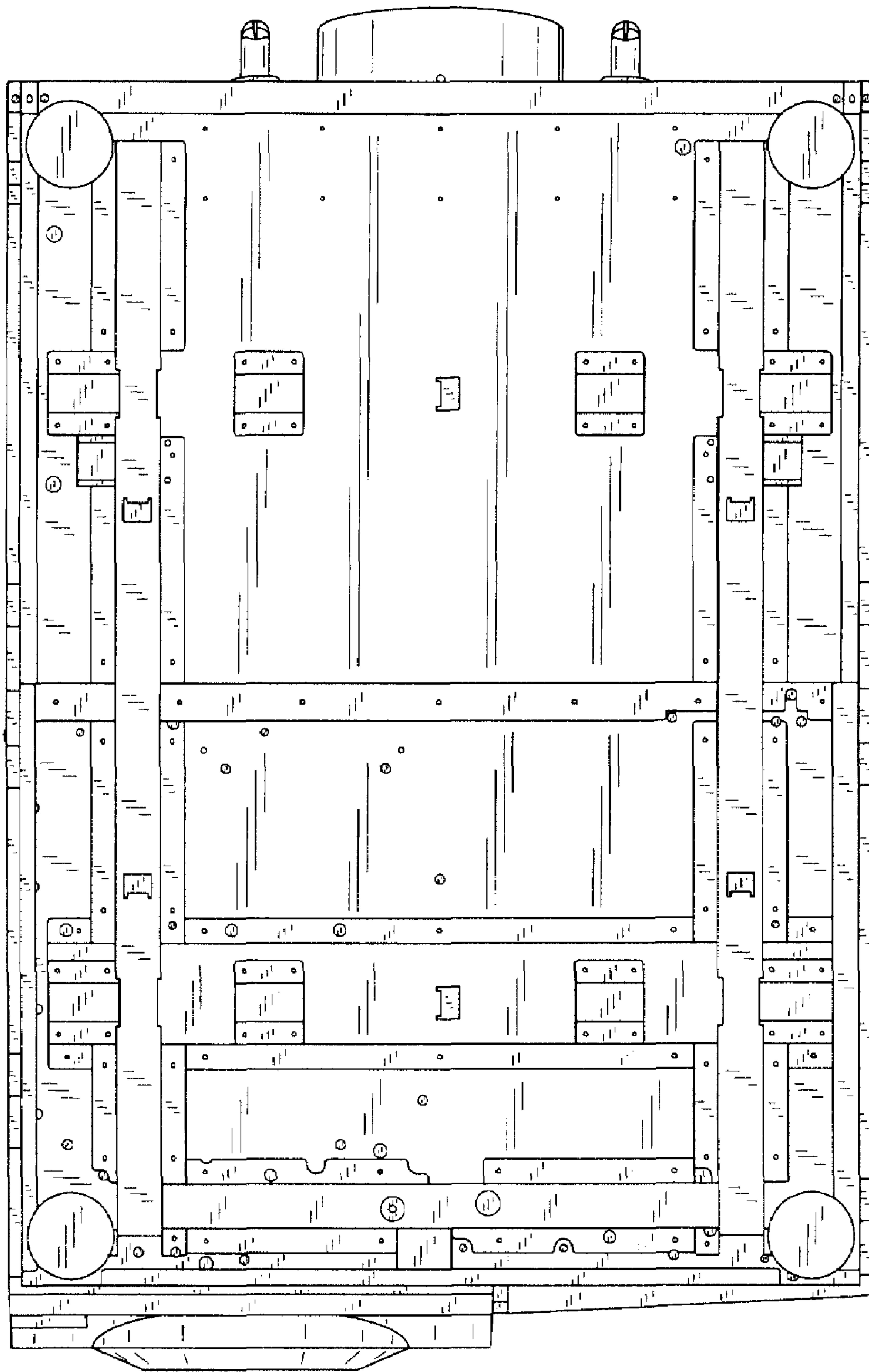


FIG. 7