



US00D599391S

(12) **United States Design Patent**
Ishibashi et al.

(10) **Patent No.:** **US D599,391 S**
(45) **Date of Patent:** **** Sep. 1, 2009**

(54) **VIDEO CAMERA WITH DIGITAL VIDEO DISC PLAYER**

2005/0140823 A1* 6/2005 Ishikuro 348/375
2007/0153120 A1* 7/2007 Kajikawa et al. 348/373

(75) Inventors: **Atsushi Ishibashi**, Tokorozawa (JP);
Yoshihiro Iwama, Kokubunji (JP);
Hiroshi Hoshi, Hitachi (JP)

* cited by examiner

Primary Examiner—Adir Aronovich
(74) *Attorney, Agent, or Firm*—Antonelli, Terry, Stout & Kraus, LLP.

(73) Assignee: **Hitachi, Ltd.**, Tokyo (JP)

(**) Term: **14 Years**

(57) **CLAIM**

(21) Appl. No.: **29/309,976**

We claim the ornamental design for video camera with digital video disc player, as shown and described.

(22) Filed: **Nov. 25, 2008**

DESCRIPTION

(30) **Foreign Application Priority Data**

Jul. 1, 2008 (JP) 2008-016978

FIG. 1 is a front, top and right side perspective view of video camera with digital video disc player showing our new design;

(51) **LOC (9) Cl.** **16-01**

FIG. 2 is a front elevational view thereof;

(52) **U.S. Cl.** **D16/202**

FIG. 3 is a rear elevational view thereof;

(58) **Field of Classification Search** D16/200–205,
D16/208, 218; 348/373–376; 358/906; 396/535–541
See application file for complete search history.

FIG. 4 is a top plan view thereof;

FIG. 5 is a bottom plan view thereof;

(56) **References Cited**

U.S. PATENT DOCUMENTS

D515,123 S *	2/2006	Kojima et al.	D16/202
D516,600 S *	3/2006	Tsuchiya	D16/202
D549,260 S *	8/2007	Kojima et al.	D16/202
D565,071 S *	3/2008	Ishibashi et al.	D16/202
D571,387 S *	6/2008	Morita et al.	D16/202
D575,317 S *	8/2008	Hayashi et al.	D16/202
D576,187 S *	9/2008	Hayashi et al.	D16/202
D576,188 S *	9/2008	Murakami	D16/202

FIG. 6 is a left side elevational view thereof;

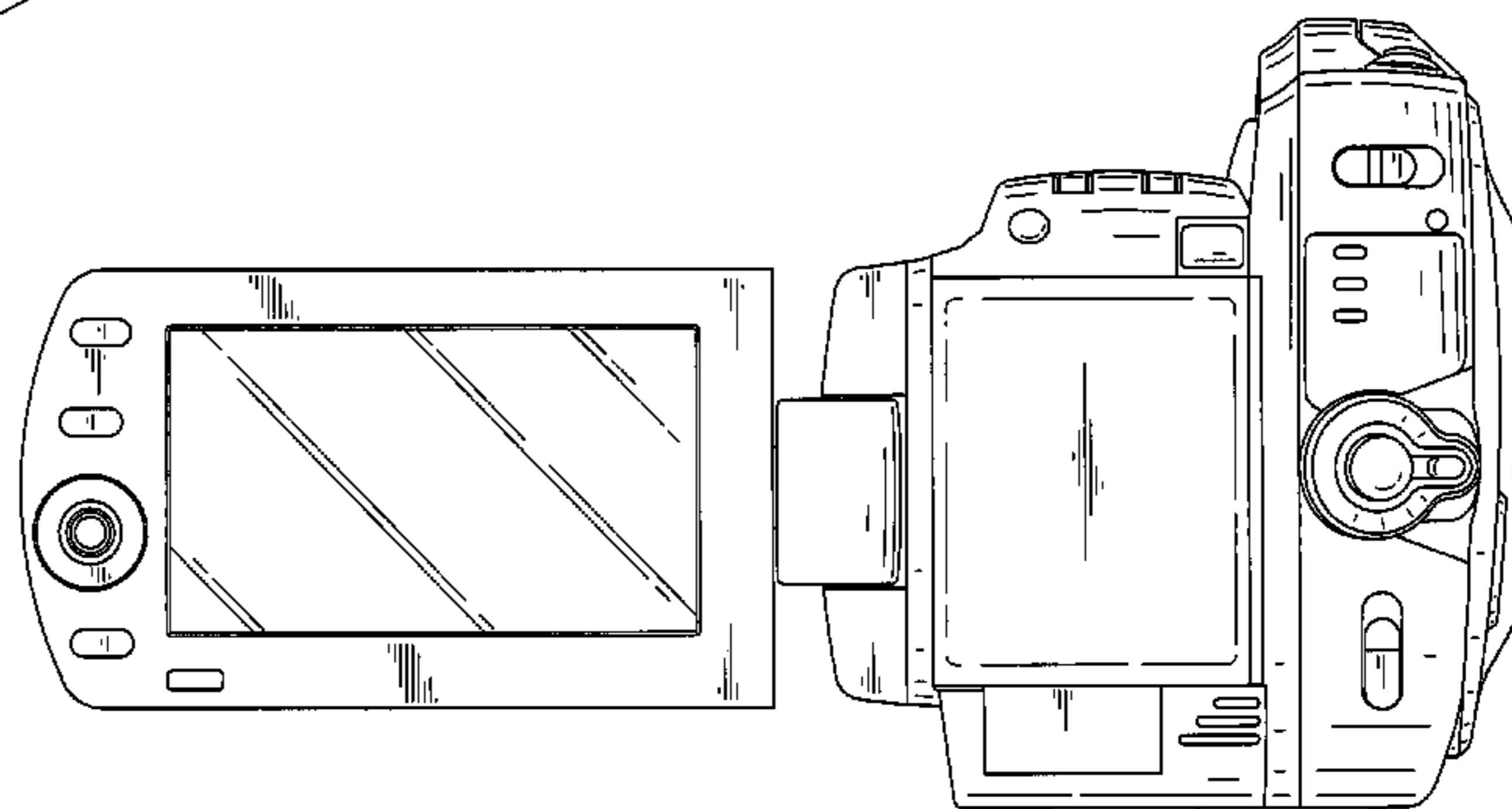
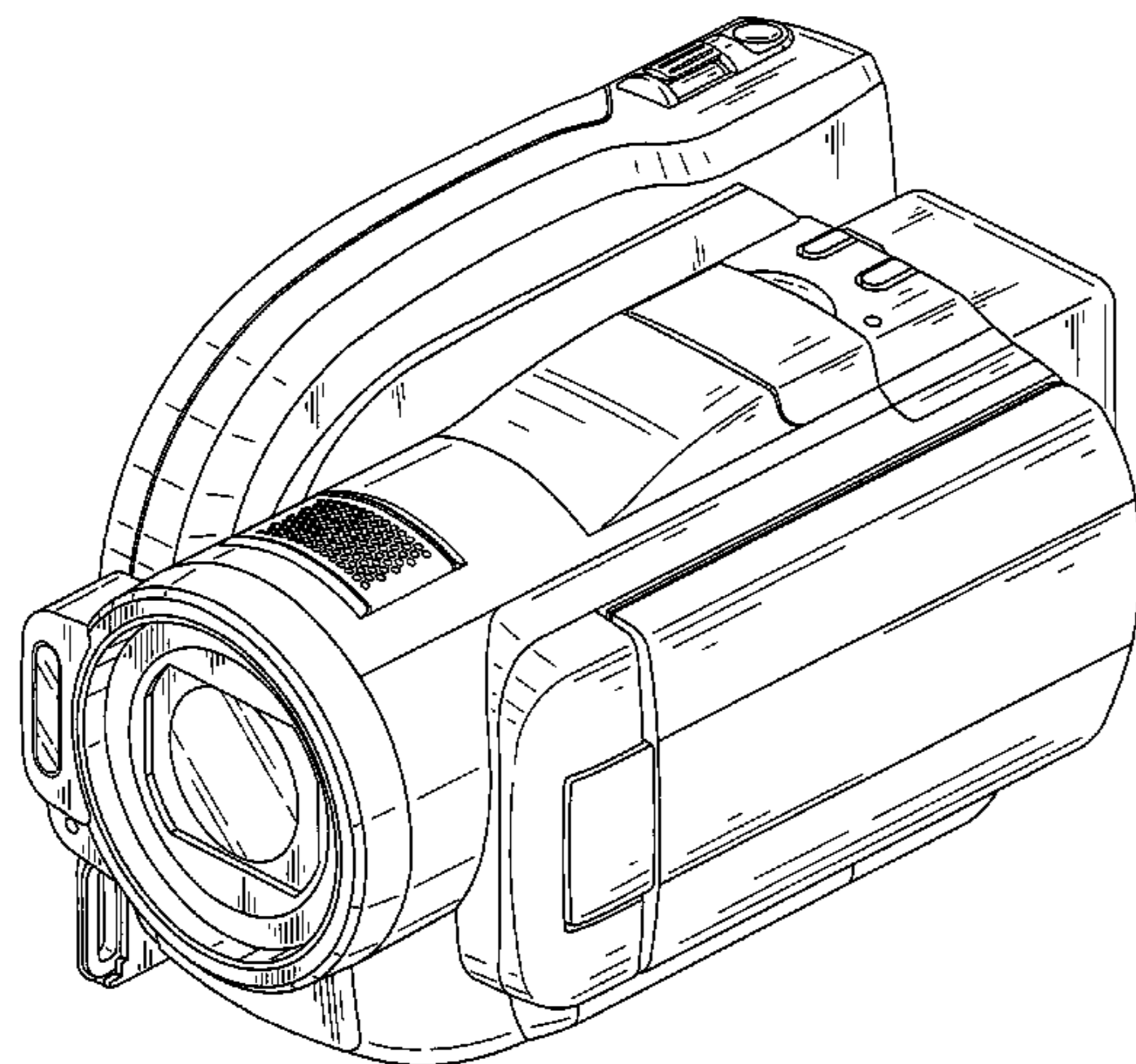
FIG. 7 is a right side elevational view thereof;

FIG. 8 is a front, top, and left side perspective view showing the condition that the disc cover was opened thereof;

FIG. 9 is a right side elevational view showing the condition that the liquid crystal monitor was opened thereof; and,

FIG. 10 is a rear elevational view showing the condition that the liquid crystal monitor was opened thereof.

1 Claim, 10 Drawing Sheets



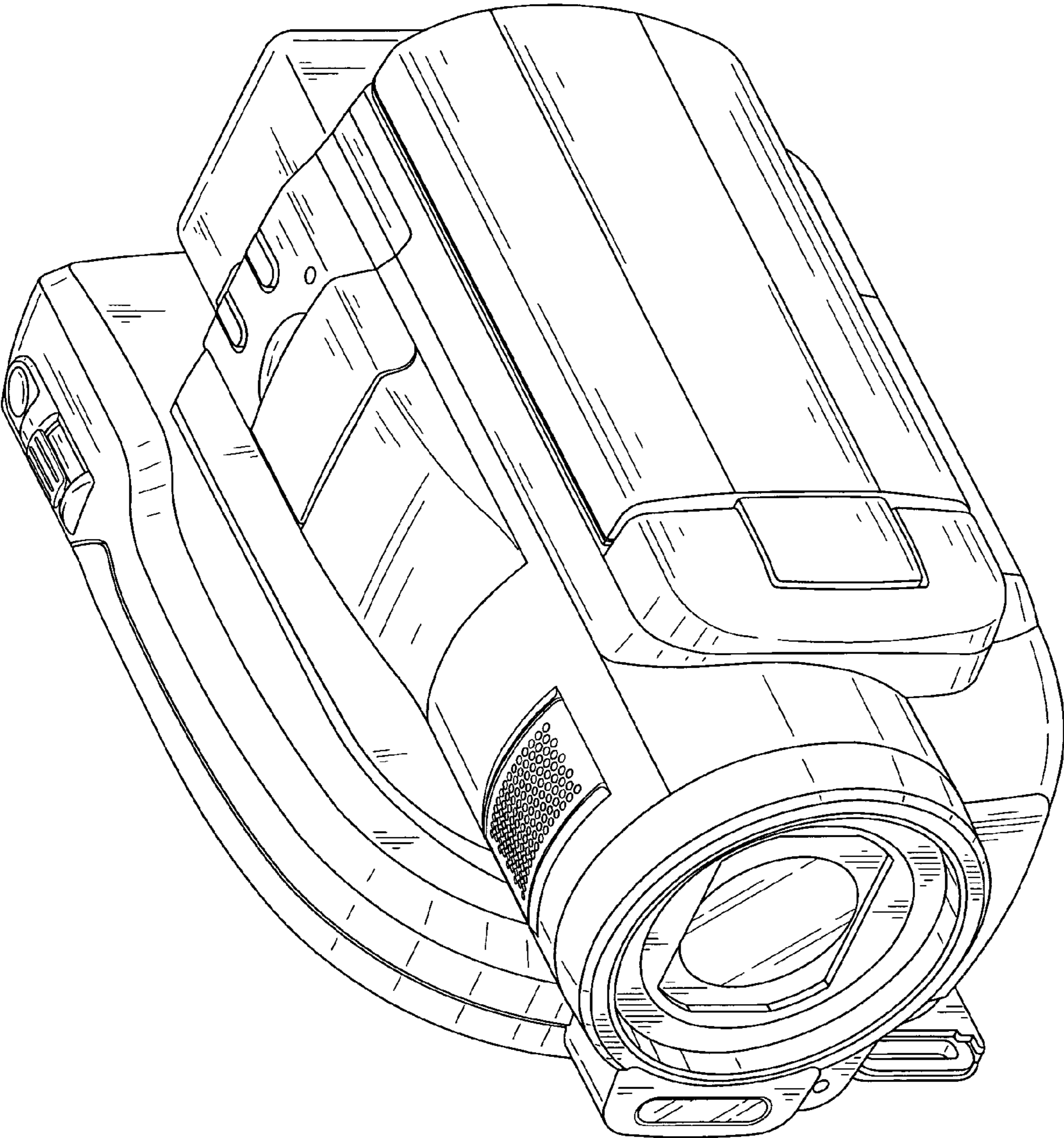


FIG. 1

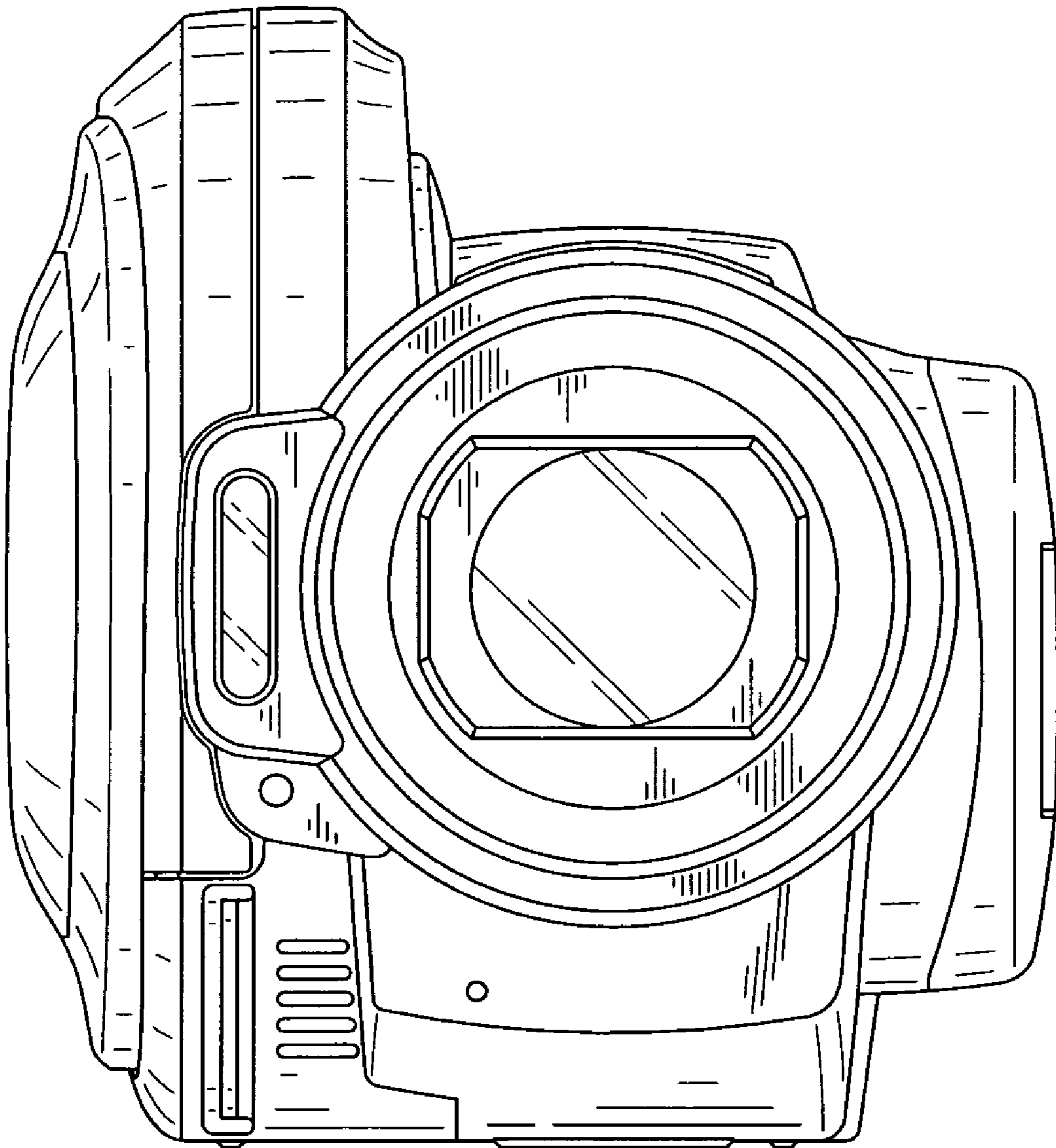


FIG. 2

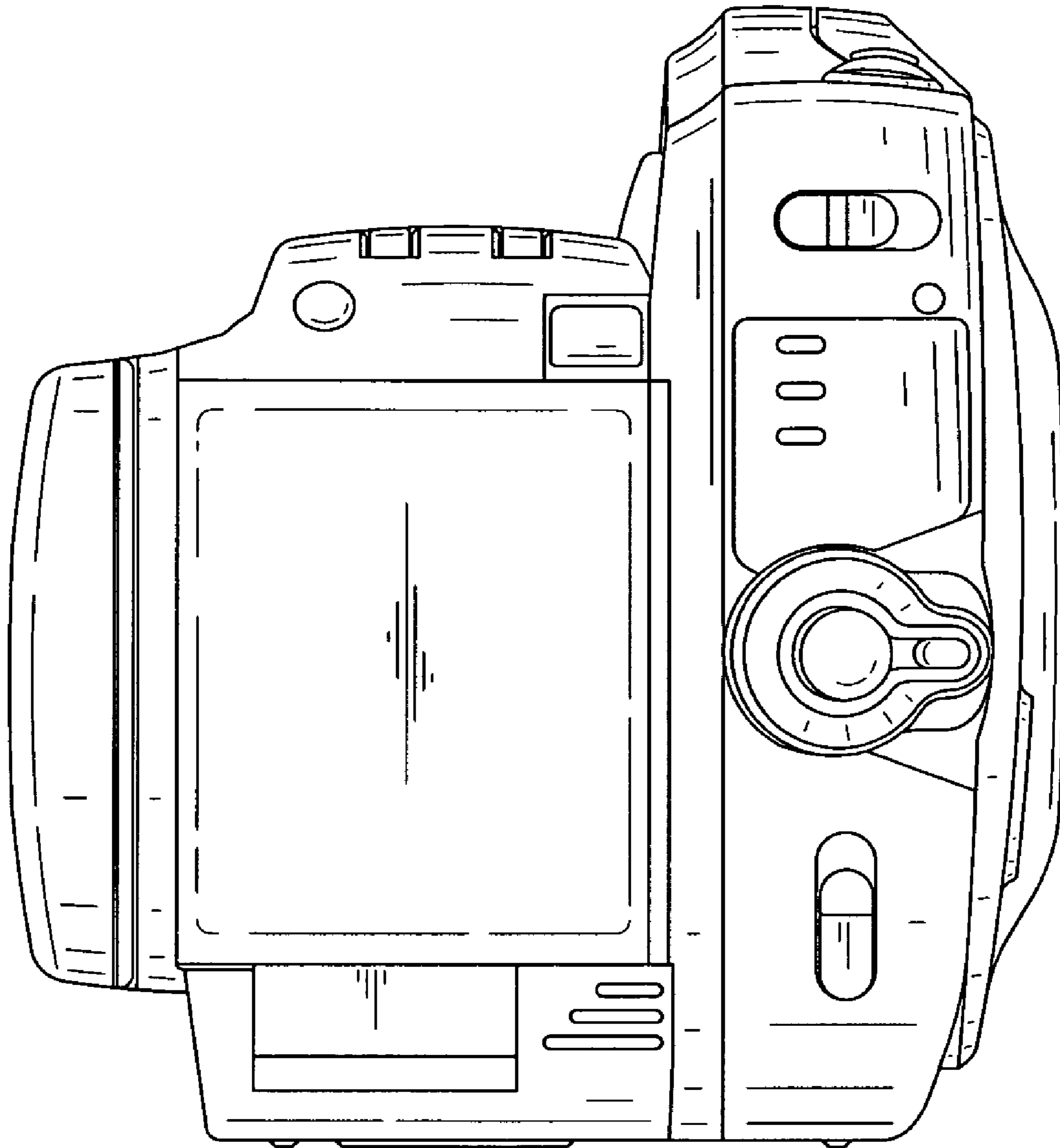


FIG. 3

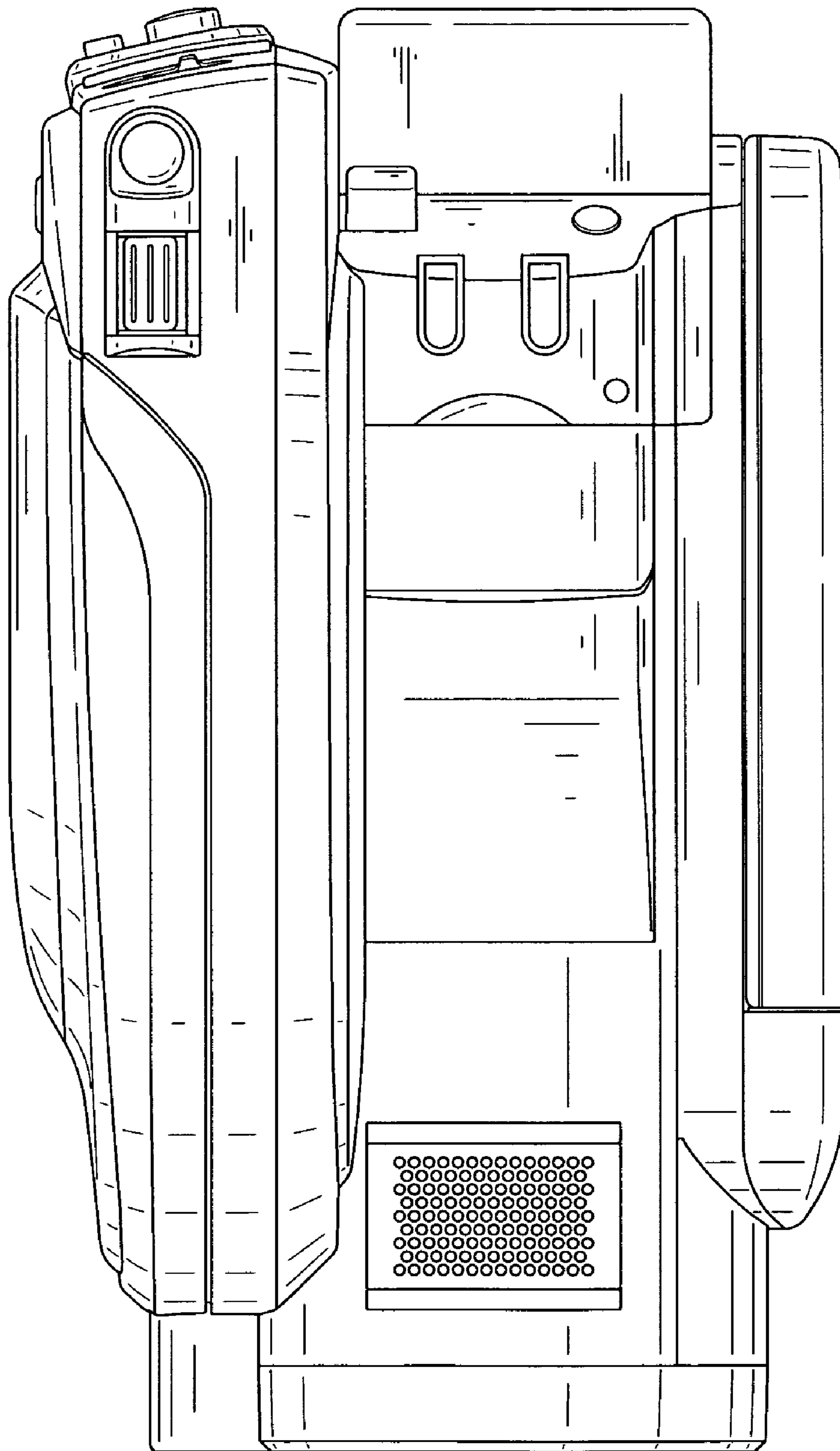


FIG. 4

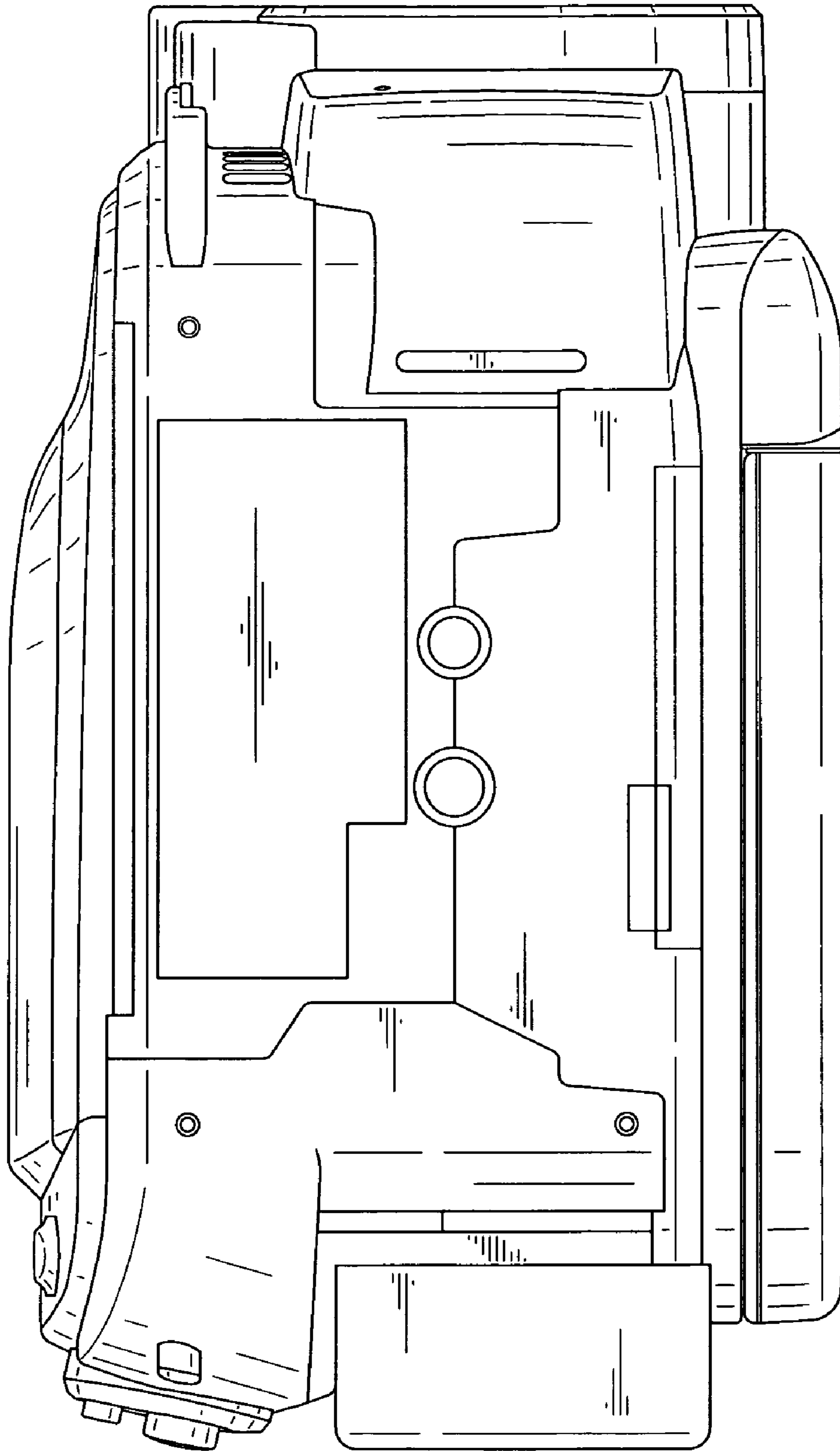


FIG. 5

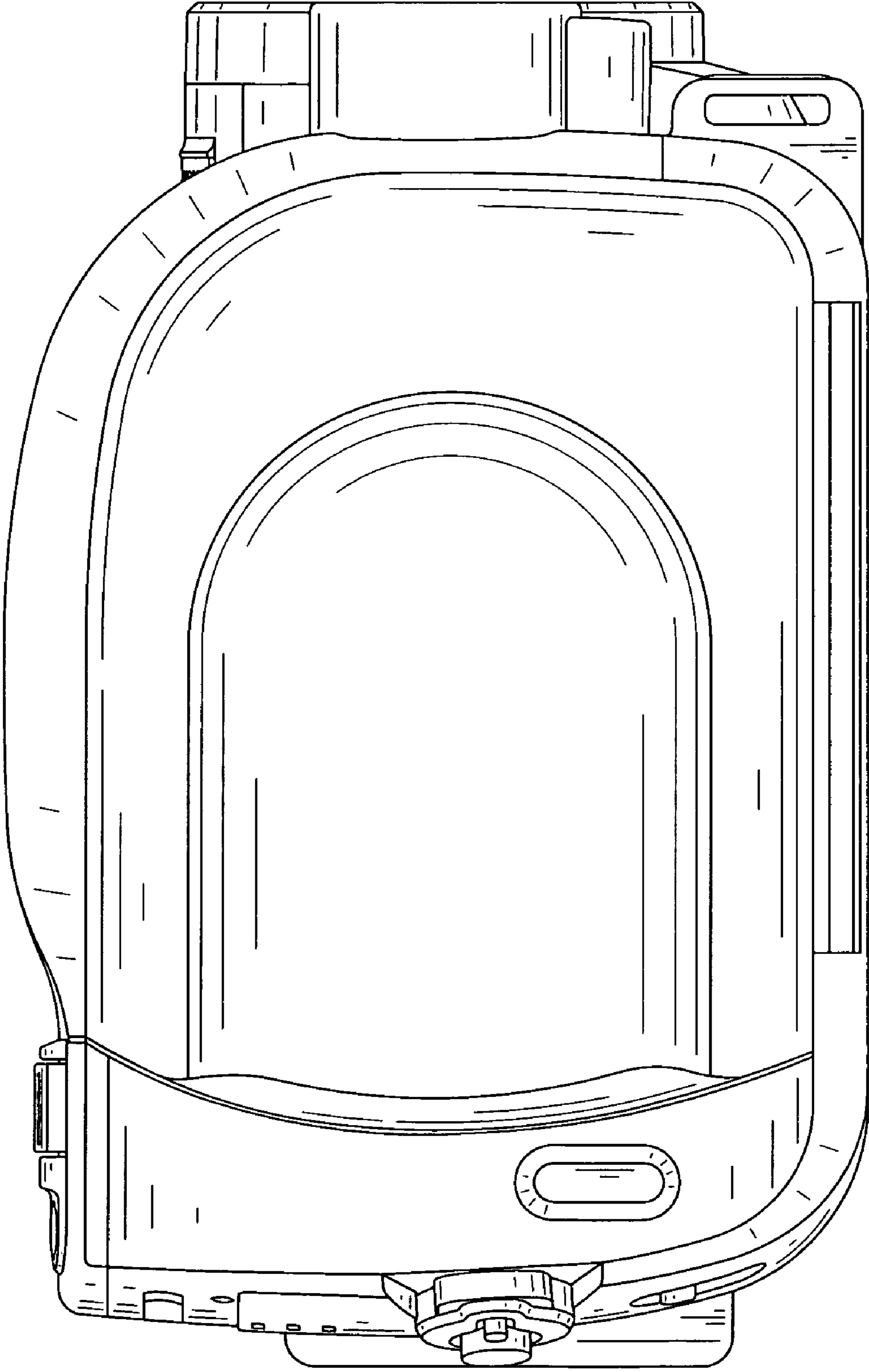


FIG. 6

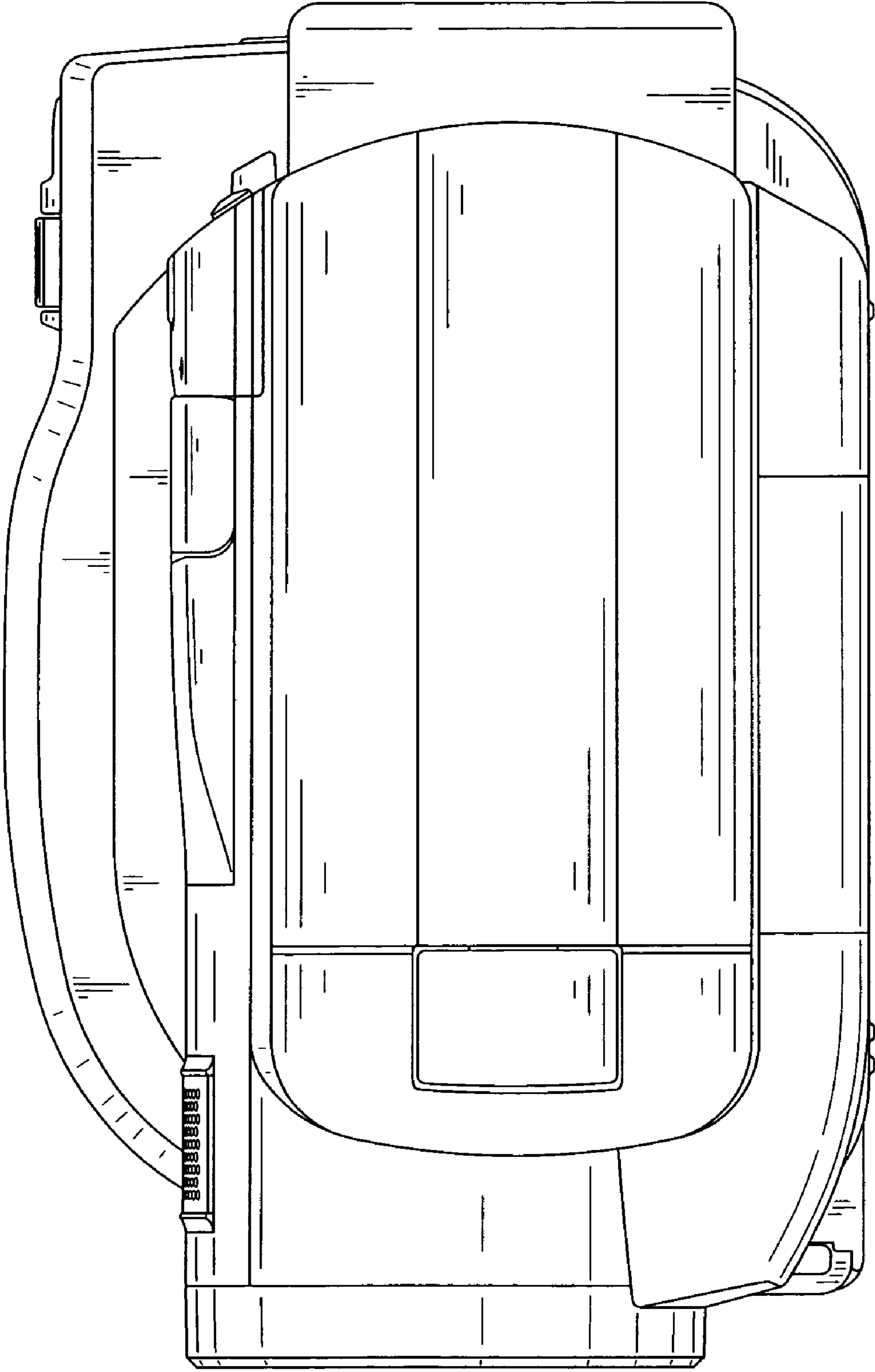


FIG. 7

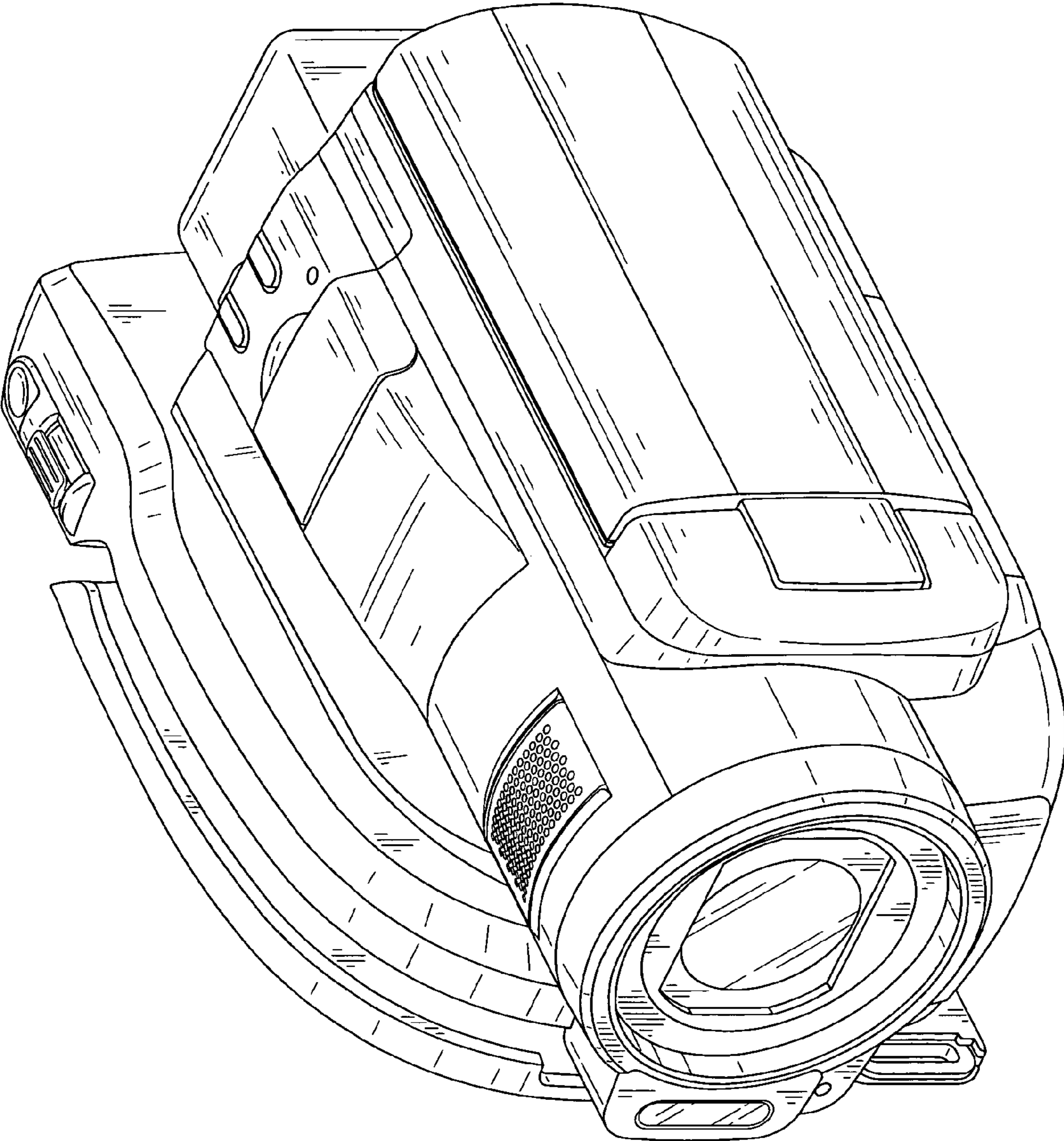


FIG. 8

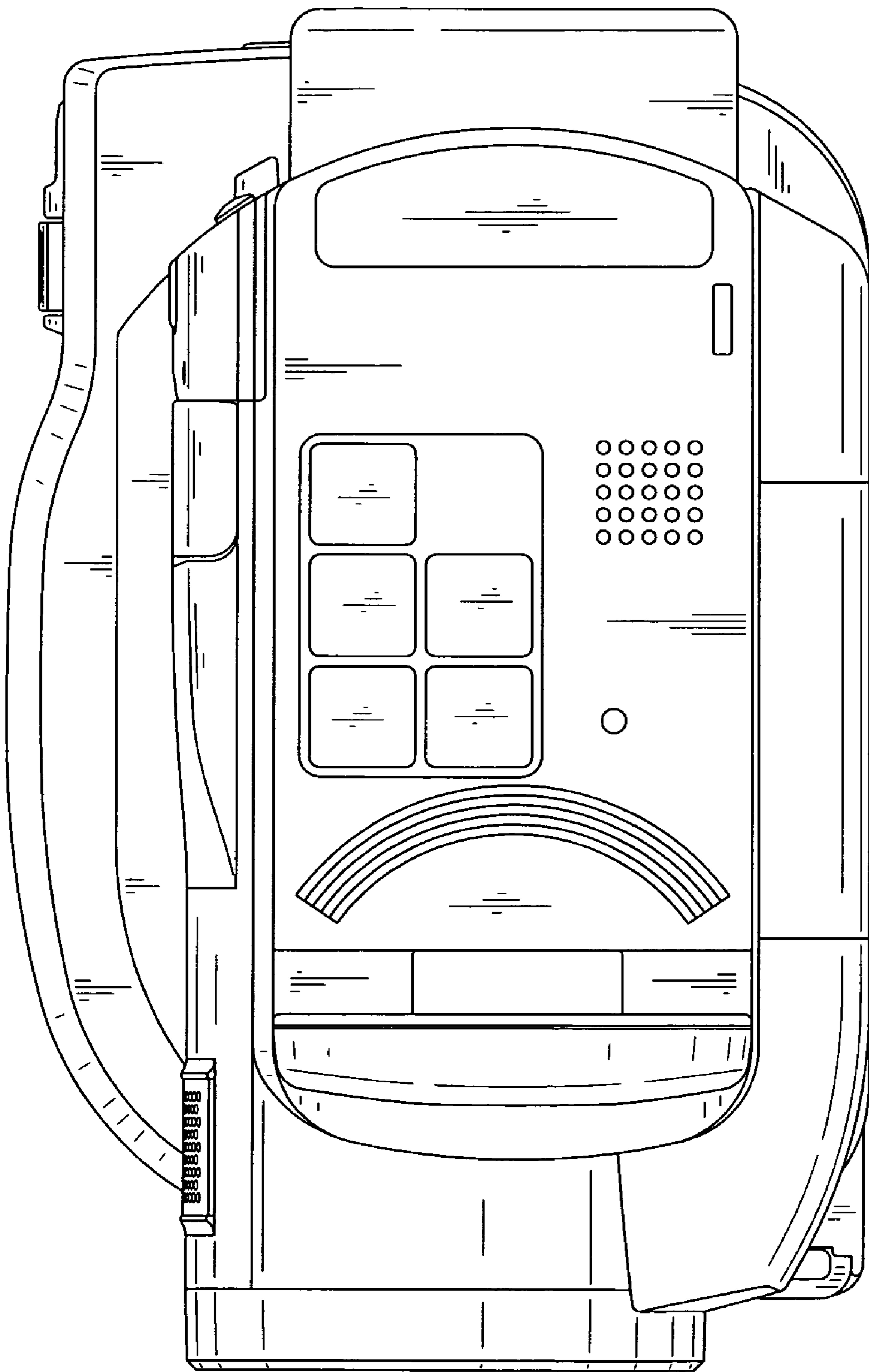


FIG. 9

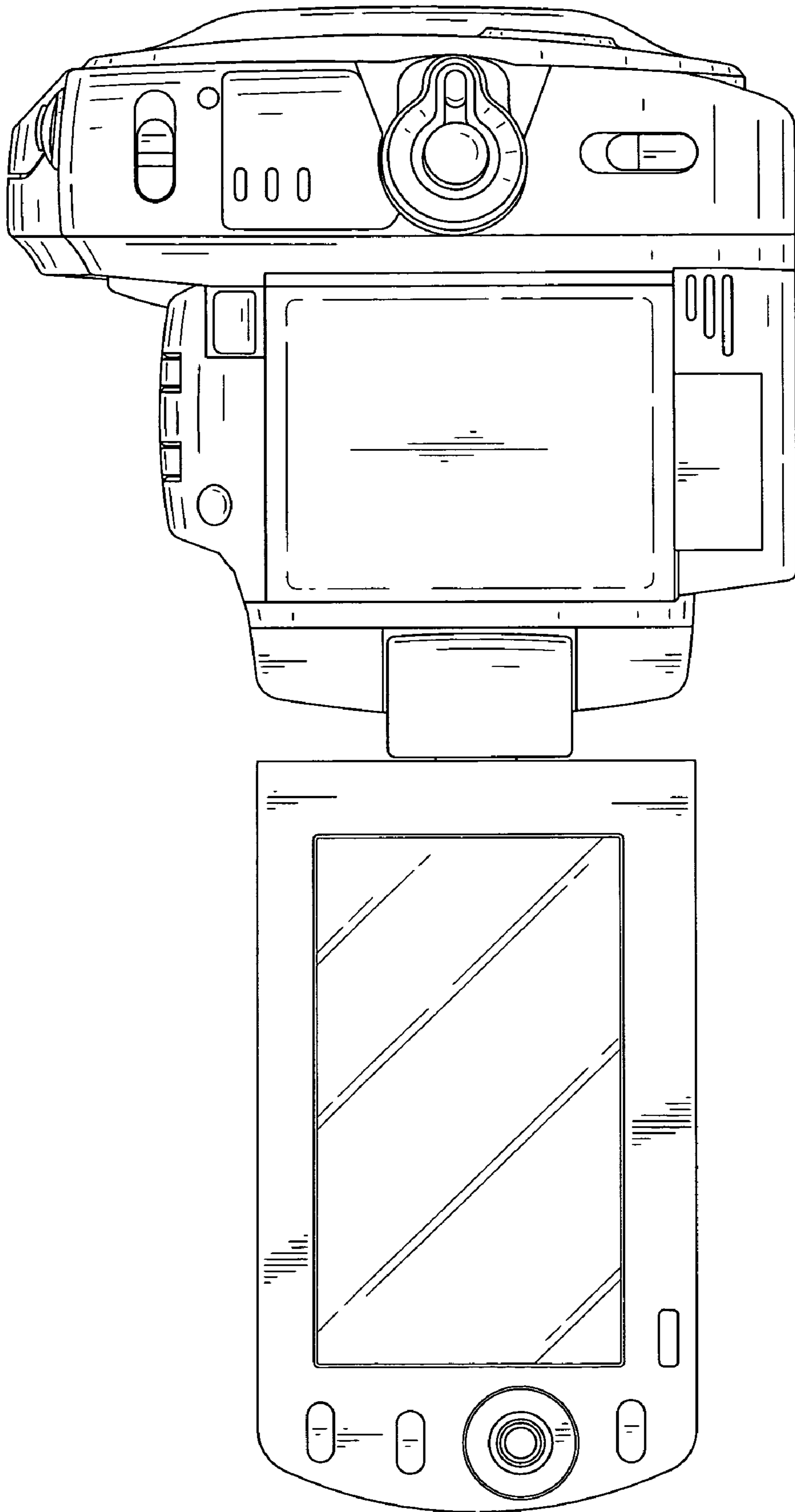


FIG. 10