



US00D599389S

(12) **United States Design Patent**  
**Eckhardt**

(10) **Patent No.:** **US D599,389 S**

(45) **Date of Patent:** **\*\* Sep. 1, 2009**

(54) **TIRE SEALING AND INFLATION DEVICE**

(75) Inventor: **Arnold Eckhardt**, Ranstadt (DE)

(73) Assignee: **Sumitomo Rubber Industries, Ltd.**,  
Kobe (JP)

(\*\*) Term: **14 Years**

(21) Appl. No.: **29/328,942**

(22) Filed: **Dec. 4, 2008**

(30) **Foreign Application Priority Data**

Jun. 6, 2008 (EM) ..... 000961719

(51) **LOC (9) Cl.** ..... **15-99**

(52) **U.S. Cl.** ..... **D15/199**

(58) **Field of Classification Search** ..... D8/105,  
D8/499; D15/199; 141/38, 67, 100, 415  
See application file for complete search history.

(56) **References Cited**

**U.S. PATENT DOCUMENTS**

4,284,451	A *	8/1981	Conley	.....	156/97
D295,754	S *	5/1988	Wang	.....	D15/9
6,283,172	B1 *	9/2001	Thurner	.....	141/38
D509,838	S *	9/2005	Wong	.....	D15/199
D544,895	S *	6/2007	Izumoto et al.	.....	D15/199
D557,299	S *	12/2007	Marini et al.	.....	D15/199
7,311,129	B1 *	12/2007	White	.....	157/1.11

D574,866	S *	8/2008	Yoshida	.....	D15/199
2004/0129365	A1 *	7/2004	Buckwalter et al.	.....	156/71
2004/0221439	A1 *	11/2004	Villarreal	.....	29/407.08
2008/0029181	A1 *	2/2008	Marini	.....	141/38

\* cited by examiner

*Primary Examiner*—Sandra Snapp

*Assistant Examiner*—Patricia Palasik

(74) *Attorney, Agent, or Firm*—Birch, Stewart, Kolasch & Birch, LLP

(57) **CLAIM**

The ornamental design for a tire sealing and inflation device, as shown and described.

**DESCRIPTION**

FIG. 1 is a front view of a tire sealing and inflation device showing my new design;

FIG. 2 is a left side view thereof;

FIG. 3 is a right side view thereof;

FIG. 4 is a rear view thereof;

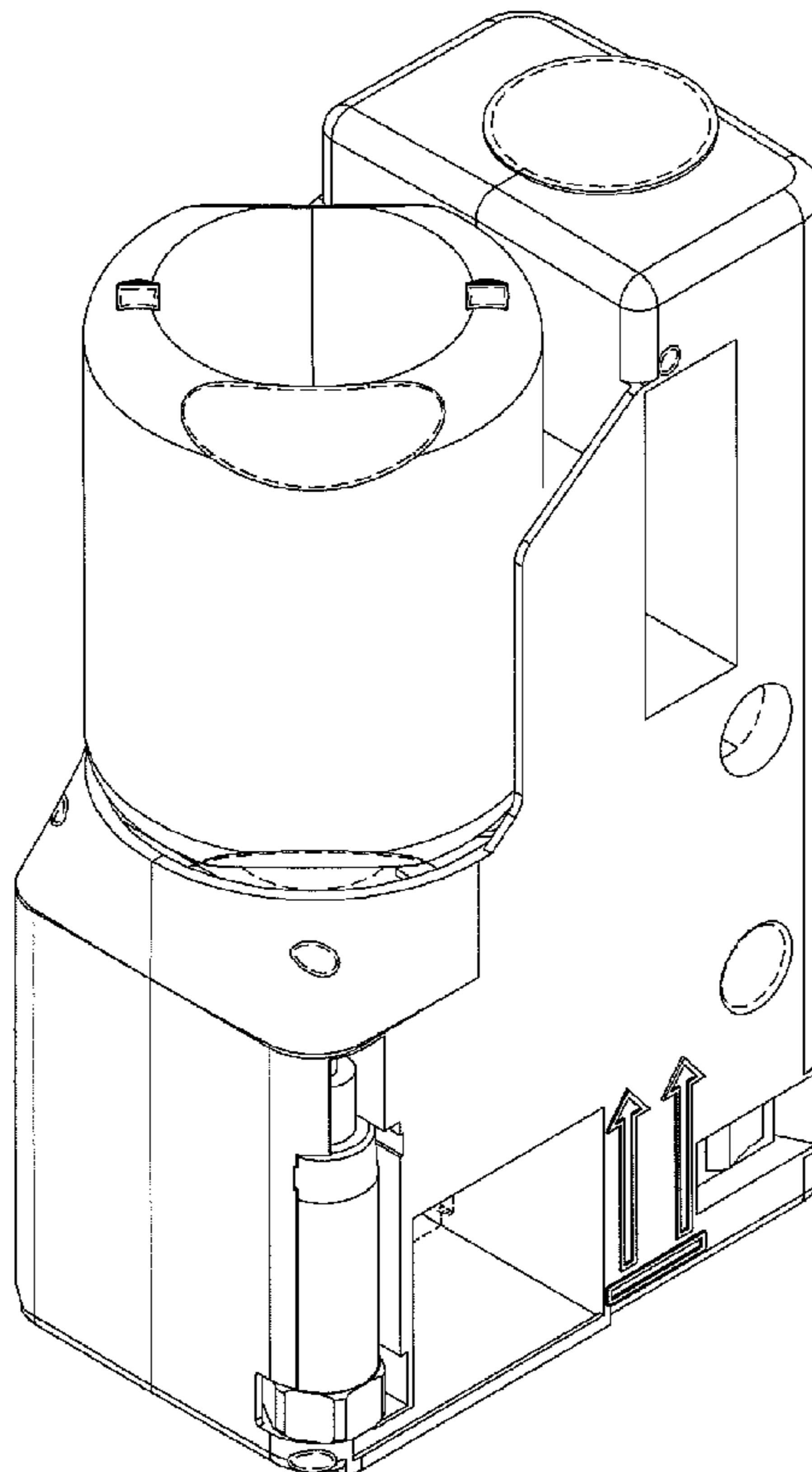
FIG. 5 is a top view thereof;

FIG. 6 is a rear, left, bottom perspective view thereof; and,

FIG. 7 is a front, left, top perspective view thereof.

The portions shown in broken lines form no part of the claimed design.

**1 Claim, 7 Drawing Sheets**



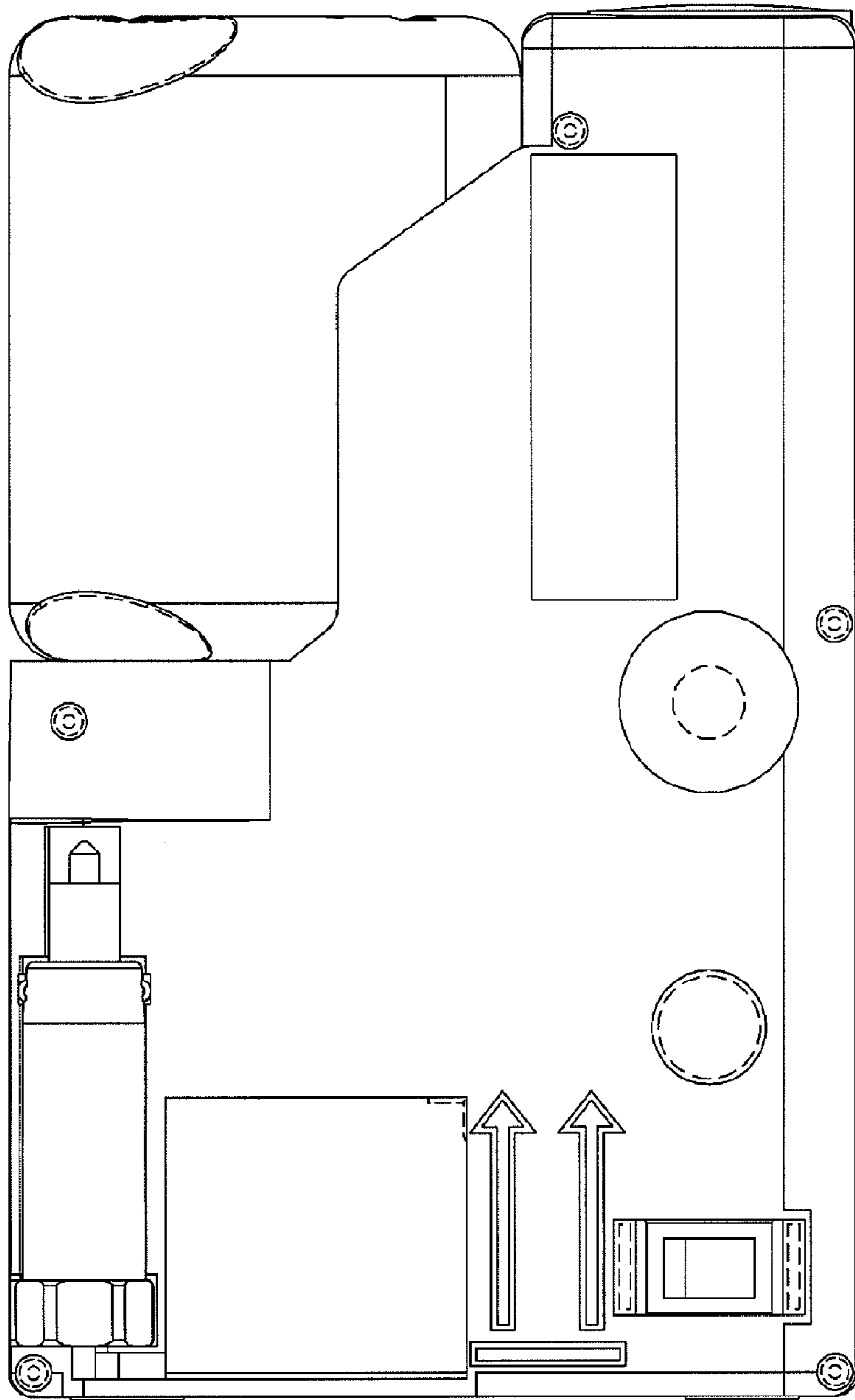


FIG.1

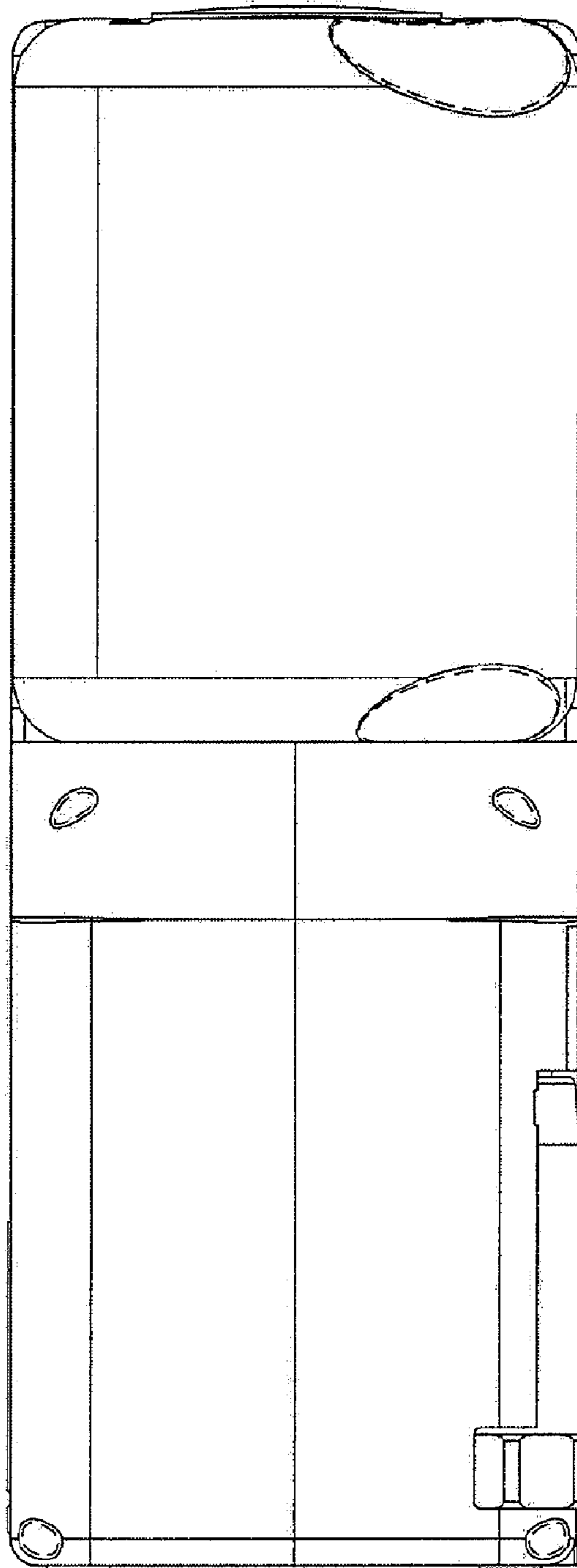


FIG. 2

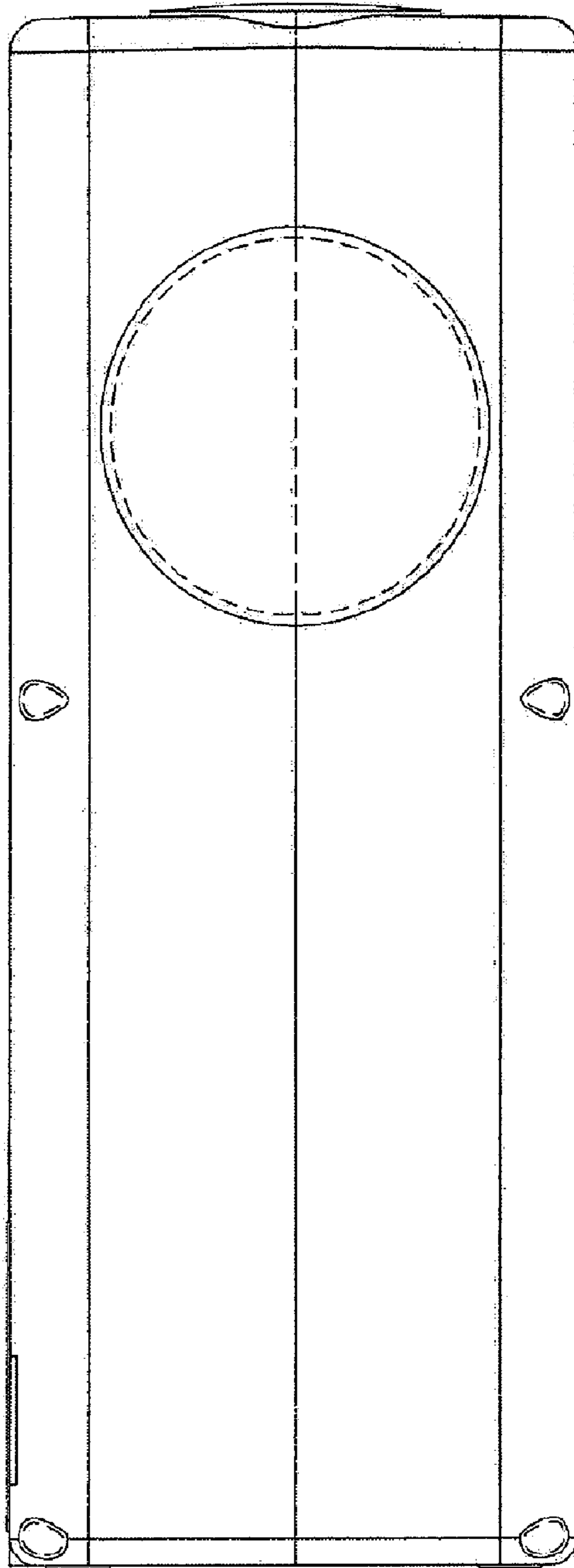


FIG.3

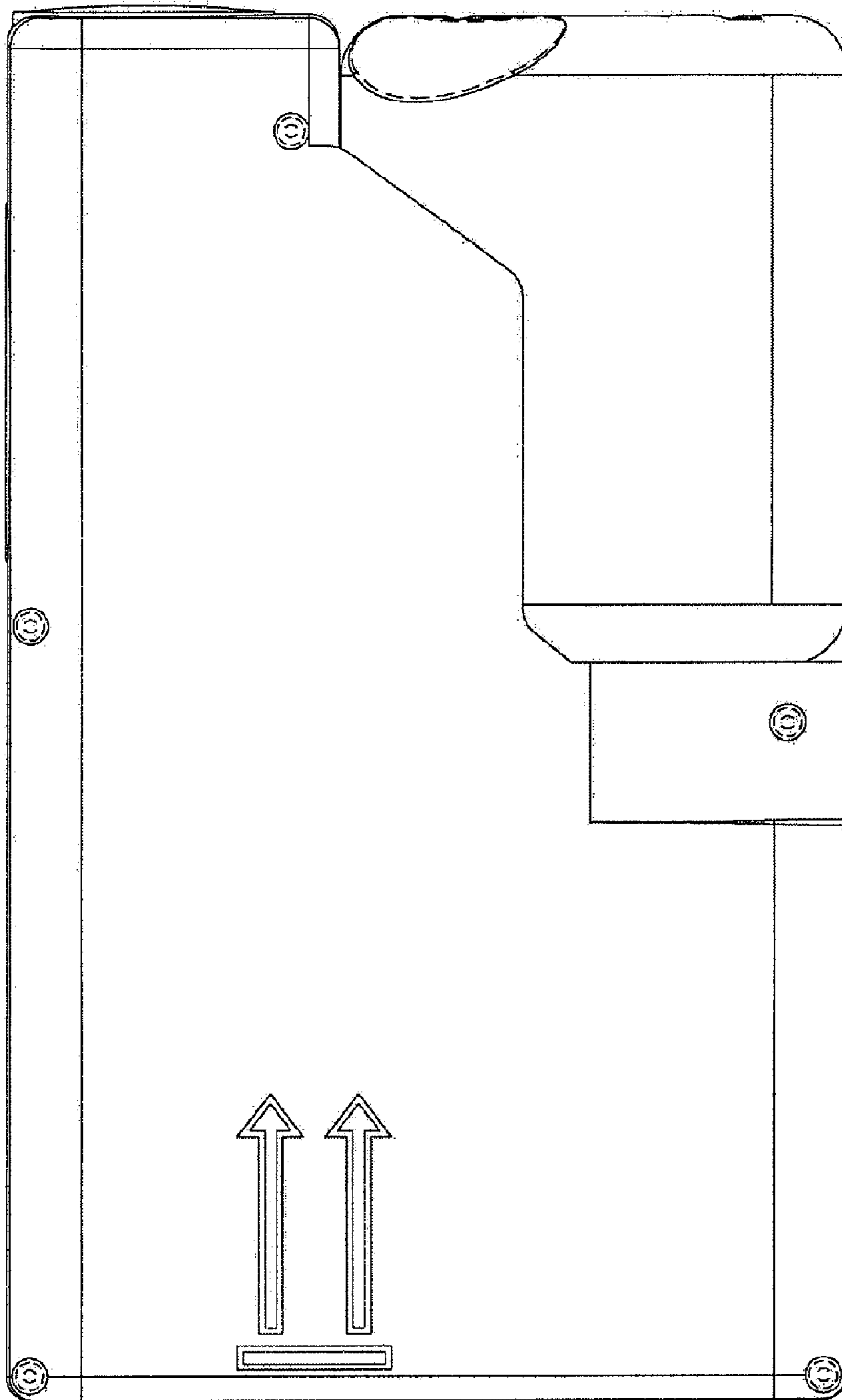


FIG.4

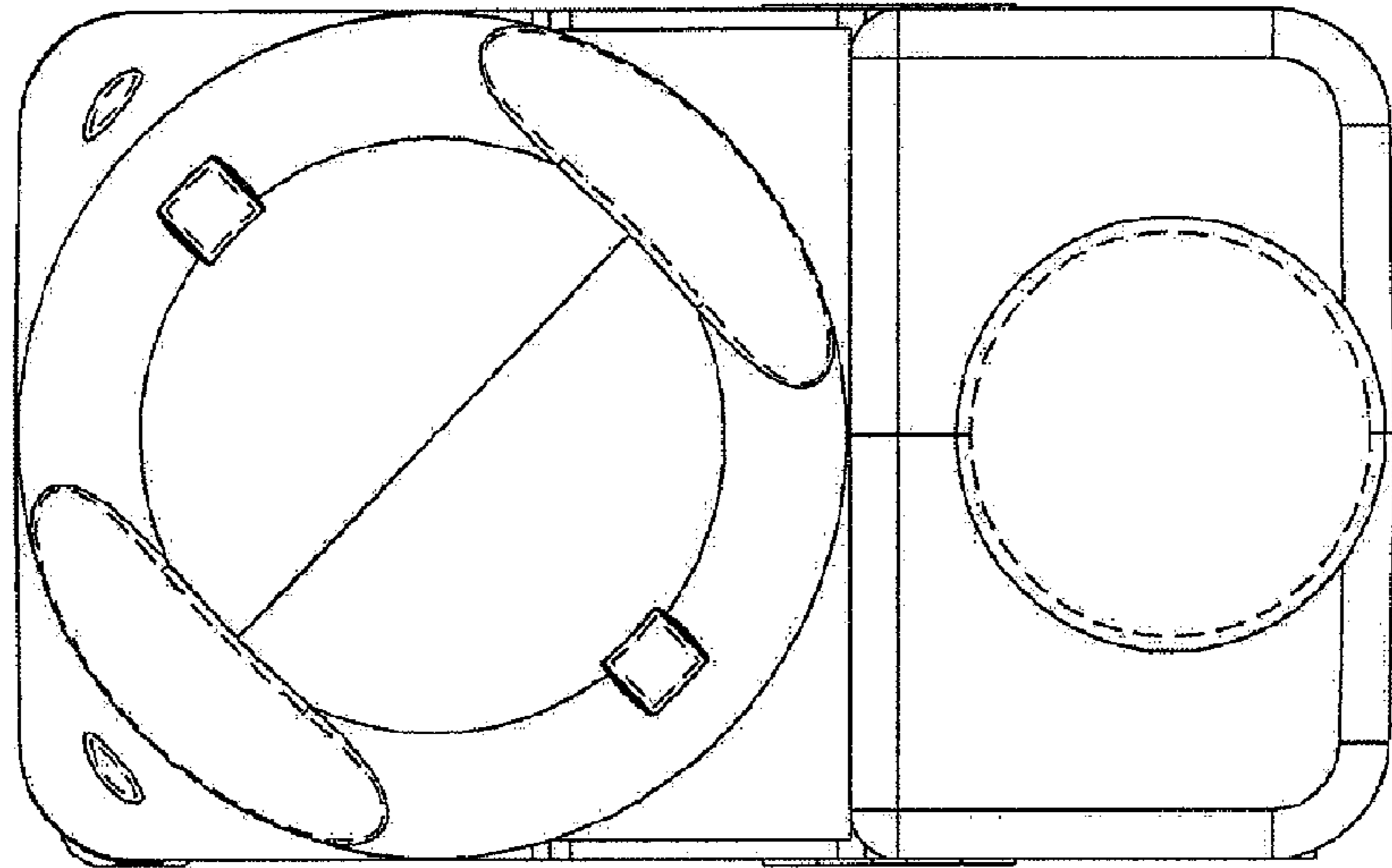


FIG.5

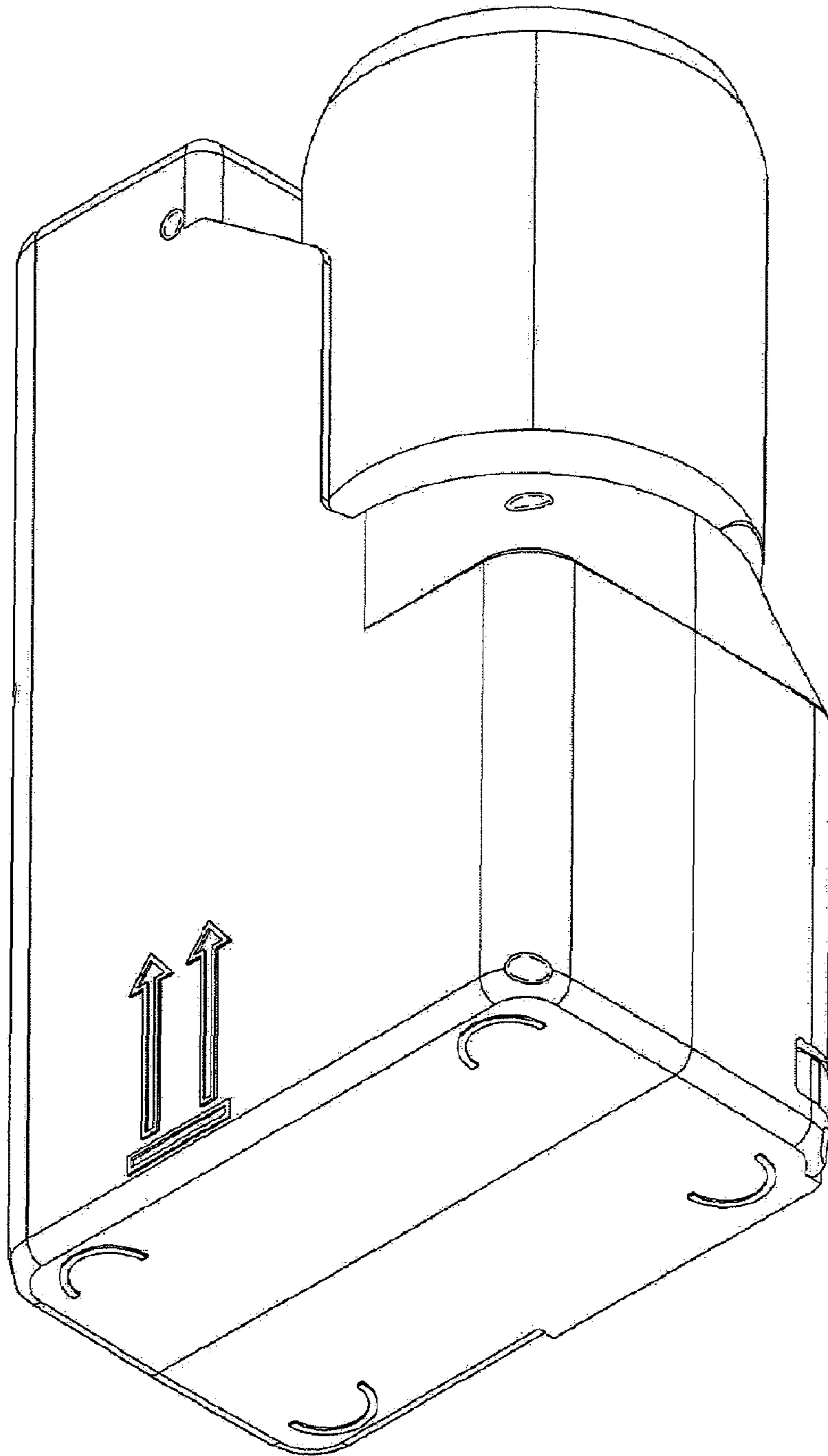


FIG.6

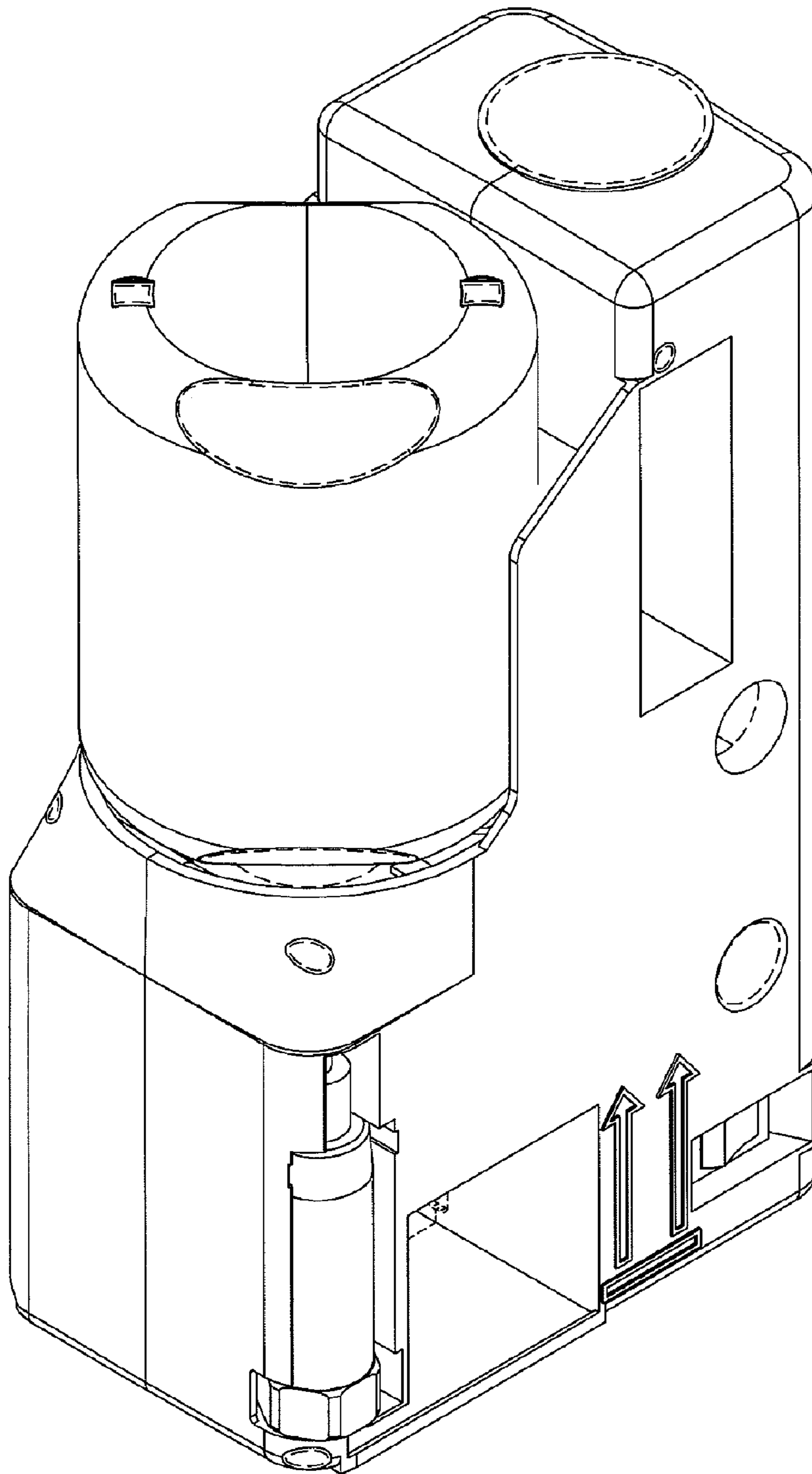


FIG. 7