



US00D599387S

(12) **United States Design Patent**  
**Chuo et al.**

(10) **Patent No.:** **US D599,387 S**

(45) **Date of Patent:** **\*\* Sep. 1, 2009**

(54) **HOUSING OF A LINEAR STAGE**

(75) Inventors: **Chin-Hsing Chuo**, Taichung (TW);  
**Chi-Pin Chou**, Taichung (TW)

(73) Assignee: **Hiwin Mikrosystem Corp.**, Taichung  
(TW)

(\*\*) Term: **14 Years**

(21) Appl. No.: **29/275,368**

(22) Filed: **Dec. 21, 2006**

(51) **LOC (9) Cl.** ..... **15-09**

(52) **U.S. Cl.** ..... **D15/143**

(58) **Field of Classification Search** ..... D15/122,  
D15/1-5, 7, 9, 143, 148, 199; D13/158,  
D13/162, 184; 29/56; 52/2.11, 2.16, 2.18,  
52/649.2, 650.01, 650.02, 650.07; 60/412;  
74/89.15, 490.09; 137/271, 560, 861, 884;  
192/141; 310/10, 12, 15, 20, 80, 178, 317,  
310/319; 417/124

See application file for complete search history.

(56) **References Cited**

**U.S. PATENT DOCUMENTS**

D373,363 S \* 9/1996 Miyachi et al. .... D15/5  
D378,214 S \* 2/1997 Ikumi ..... D15/7  
D412,714 S \* 8/1999 Nagai et al. .... D15/199

D412,918 S \* 8/1999 Nagai et al. .... D15/199  
D413,129 S \* 8/1999 Nagai et al. .... D15/199  
D554,164 S \* 10/2007 Naruse et al. .... D15/143  
D576,646 S \* 9/2008 Liao et al. .... D15/143  
D587,731 S \* 3/2009 Niedermeyer ..... D15/136  
D587,733 S \* 3/2009 Niedermeyer ..... D15/143  
2007/0133117 A1\* 6/2007 Choi ..... 360/75

\* cited by examiner

*Primary Examiner*—Sandra Snapp

*Assistant Examiner*—Patricia Palasik

(74) *Attorney, Agent, or Firm*—Banger Shia

(57) **CLAIM**

The ornamental design for a housing of a linear stage, as shown and described.

**DESCRIPTION**

FIG. 1 is a perspective view of a housing of a linear stage showing our new design;

FIG. 2 is a front elevational view thereof,

FIG. 3 is a rear elevational view thereof,

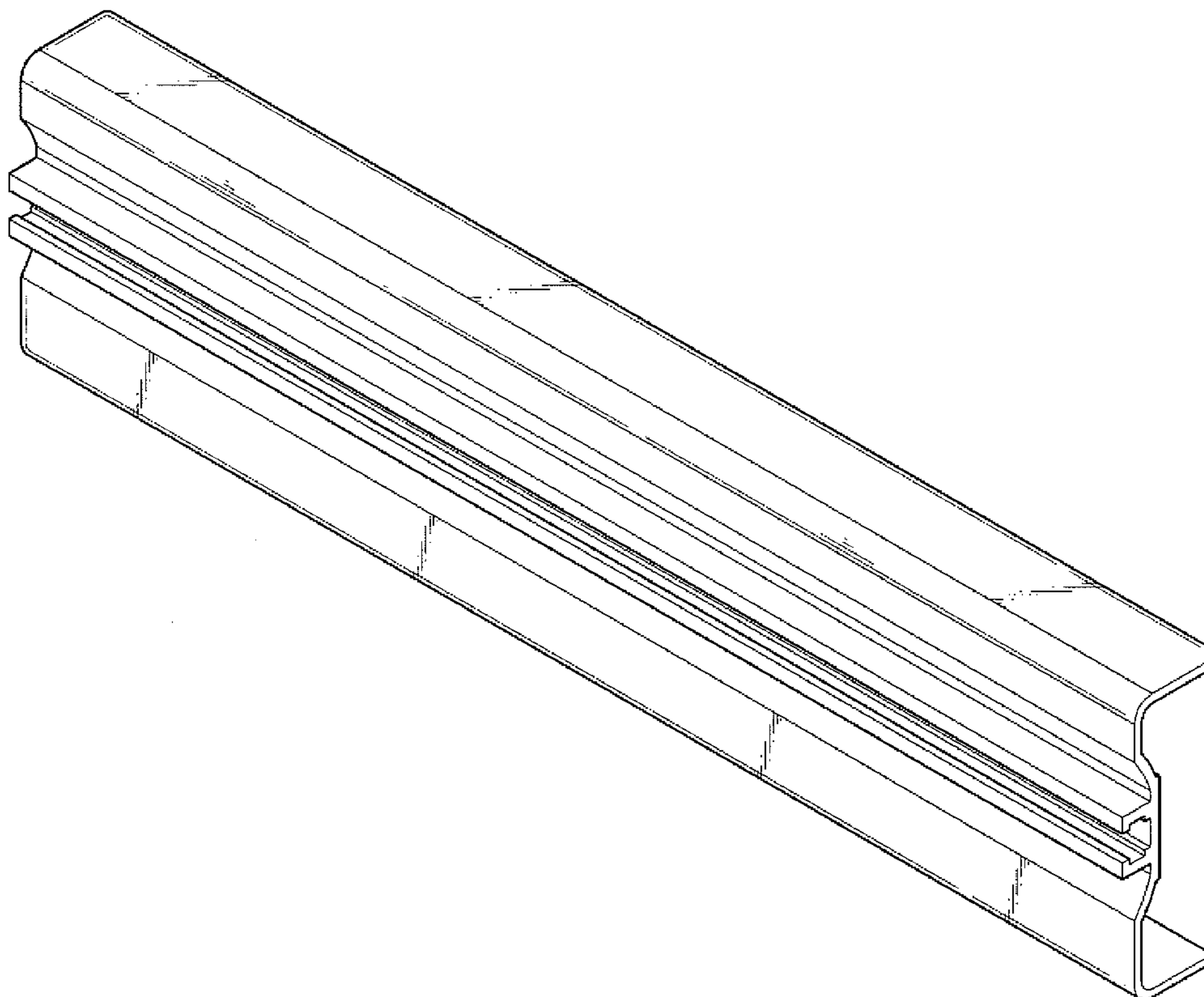
FIG. 4 is a left side elevational view thereof,

FIG. 5 is a right side elevational view thereof,

FIG. 6 is a top plan view thereof; and,

FIG. 7 is a bottom plan view to that shown.

**1 Claim, 4 Drawing Sheets**



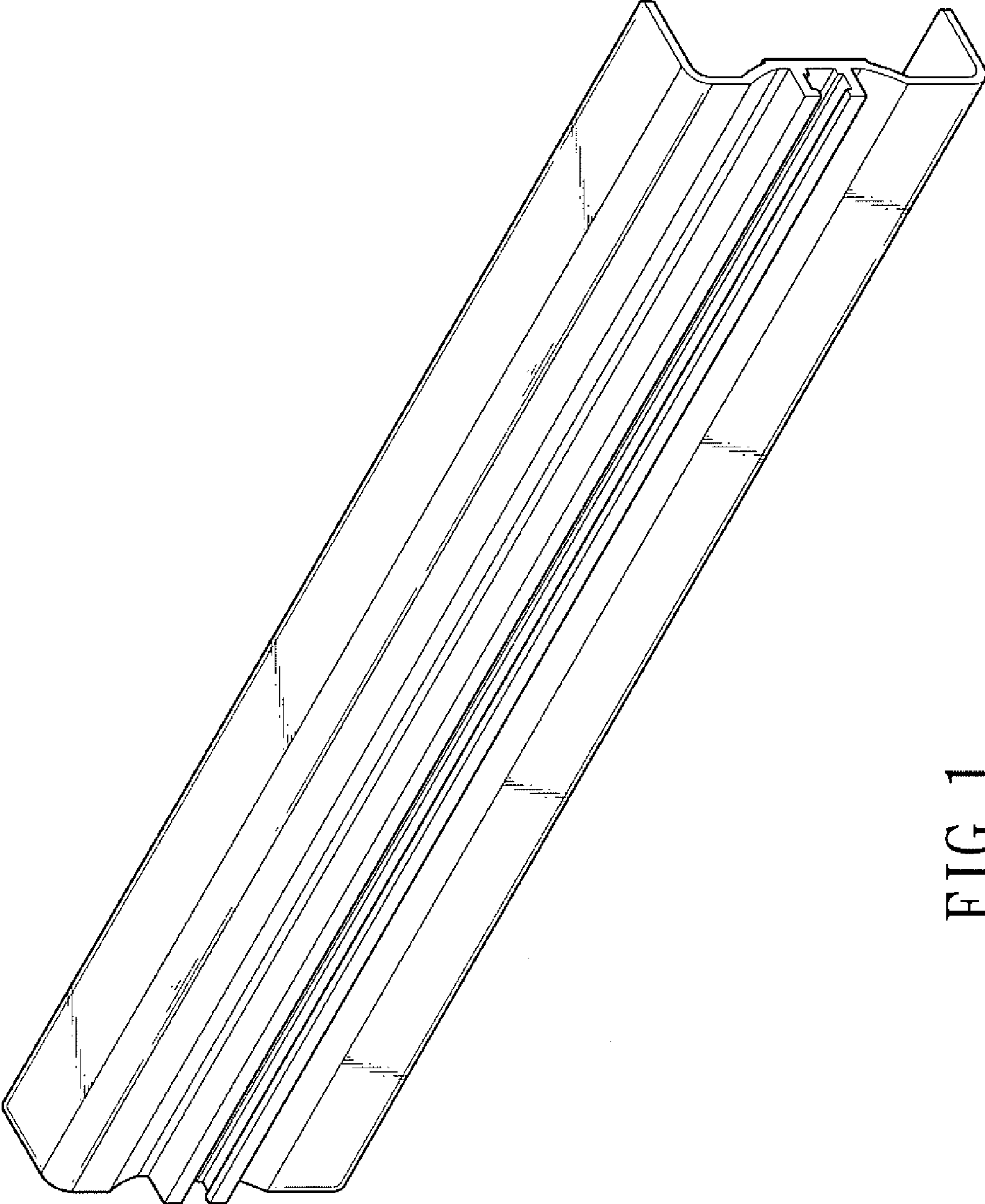


FIG. 1

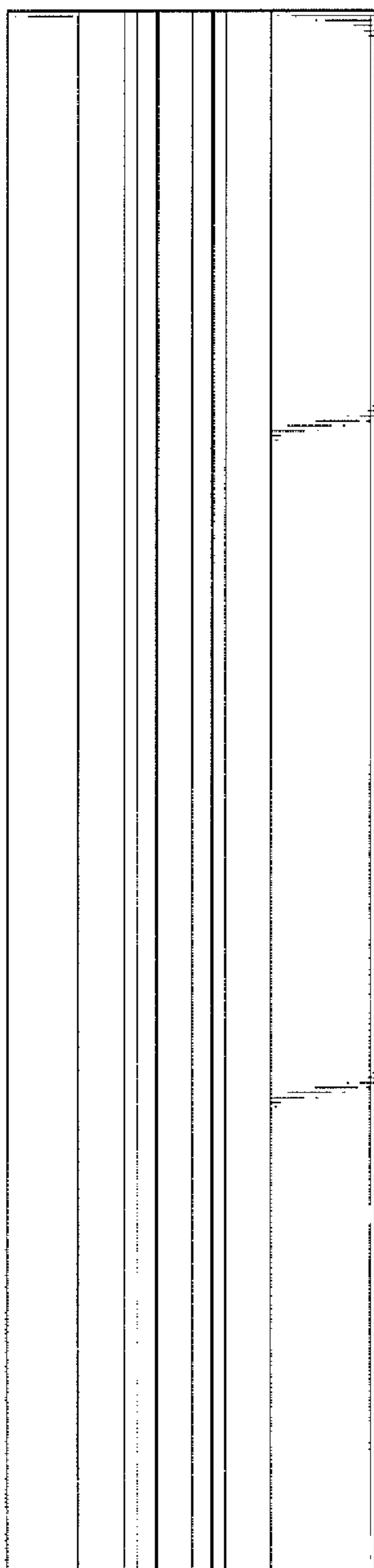


FIG. 2

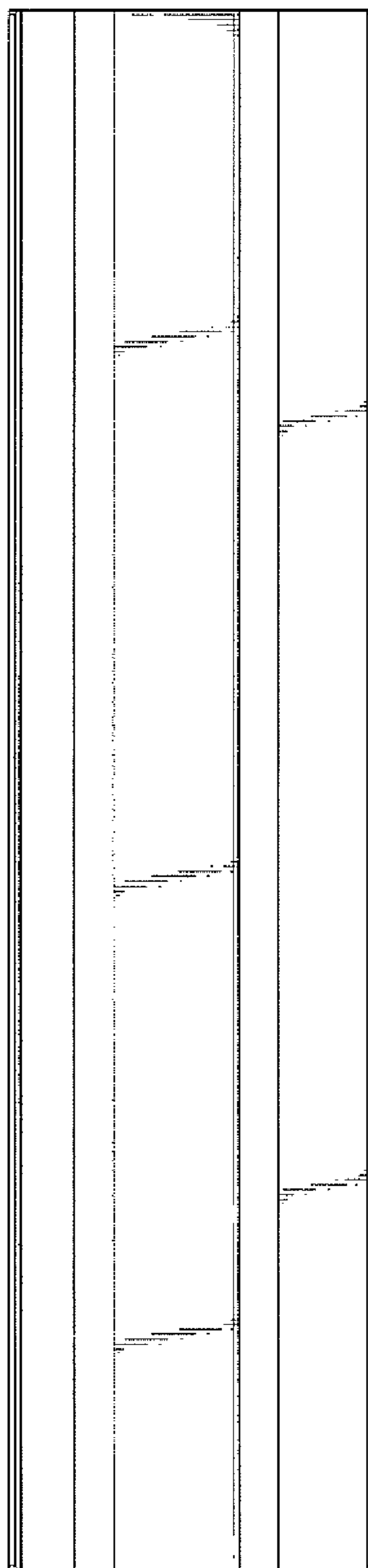


FIG. 3

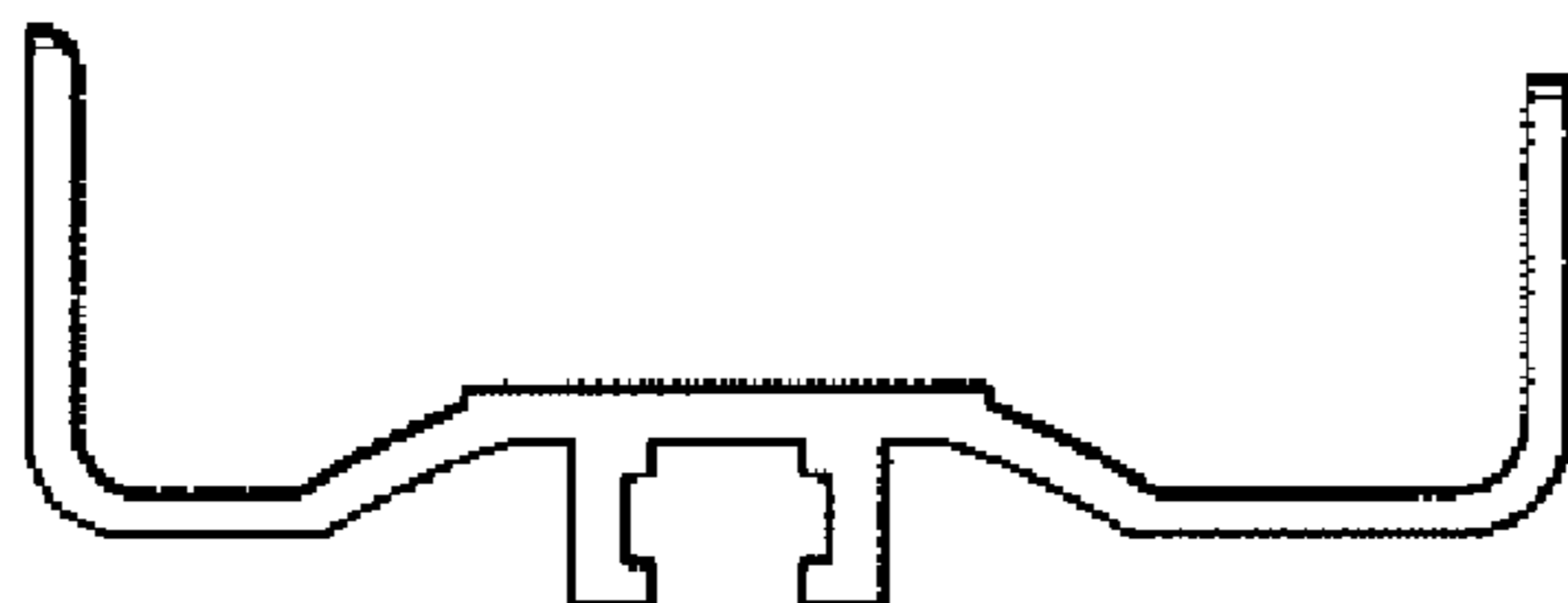


FIG. 5

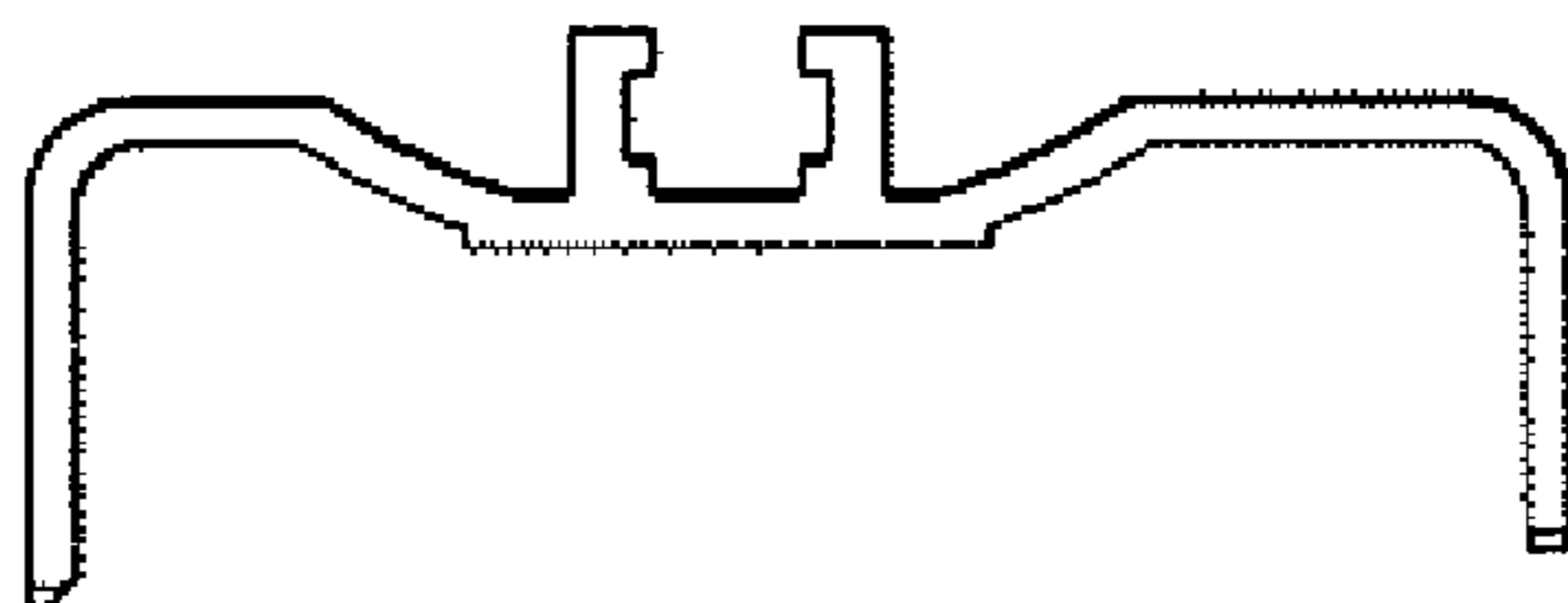


FIG. 4

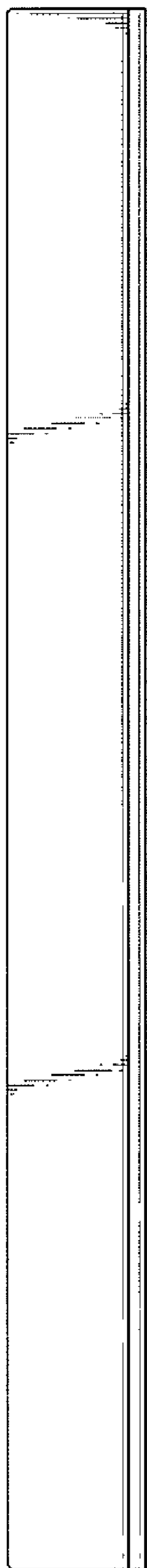


FIG. 6

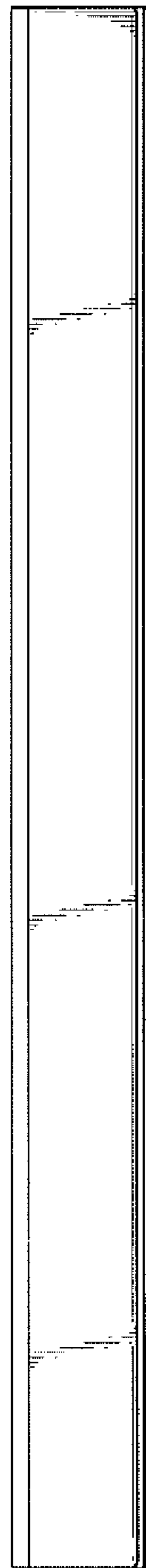


FIG. 7