



US00D599386S

(12) **United States Design Patent**  
**Moellering**

(10) **Patent No.:** **US D599,386 S**

(45) **Date of Patent:** **\*\* Sep. 1, 2009**

(54) **PUNCH RETAINER**

D440,138 S \* 4/2001 Campbell ..... D8/71

(76) Inventor: **David J. Moellering**, 3281 W. Shore Dr.,  
Orchard Lake, MI (US) 48324

\* cited by examiner

(\*\*) Term: **14 Years**

*Primary Examiner*—Sandra Snapp

*Assistant Examiner*—Patricia Palasik

(21) Appl. No.: **29/323,750**

(74) *Attorney, Agent, or Firm*—Gifford, Krass, Sprinkle,  
Anderson & Citkowski, P.C.

(22) Filed: **Aug. 29, 2008**

(57) **CLAIM**

The ornamental design for a punch retainer, as shown and described.

**Related U.S. Application Data**

(63) Continuation of application No. 11/372,428, filed on  
Mar. 9, 2006.

**DESCRIPTION**

(51) **LOC (9) Cl.** ..... **15-09**

FIG. 1 is a perspective view of the design for a punch retainer according to the present invention;

(52) **U.S. Cl.** ..... **D15/140**

FIG. 2 is another perspective view of the punch retainer shown in FIG. 1;

(58) **Field of Classification Search** ..... D8/71;  
D15/128, 140; 72/462, 482.91; 83/685,  
83/687, 698.31, 698.91; 279/79

FIG. 3 is a top plan view of the punch retainer shown in FIG. 1;

See application file for complete search history.

FIG. 4 is a bottom plan view of the punch retainer shown in FIG. 1;

(56) **References Cited**

**U.S. PATENT DOCUMENTS**

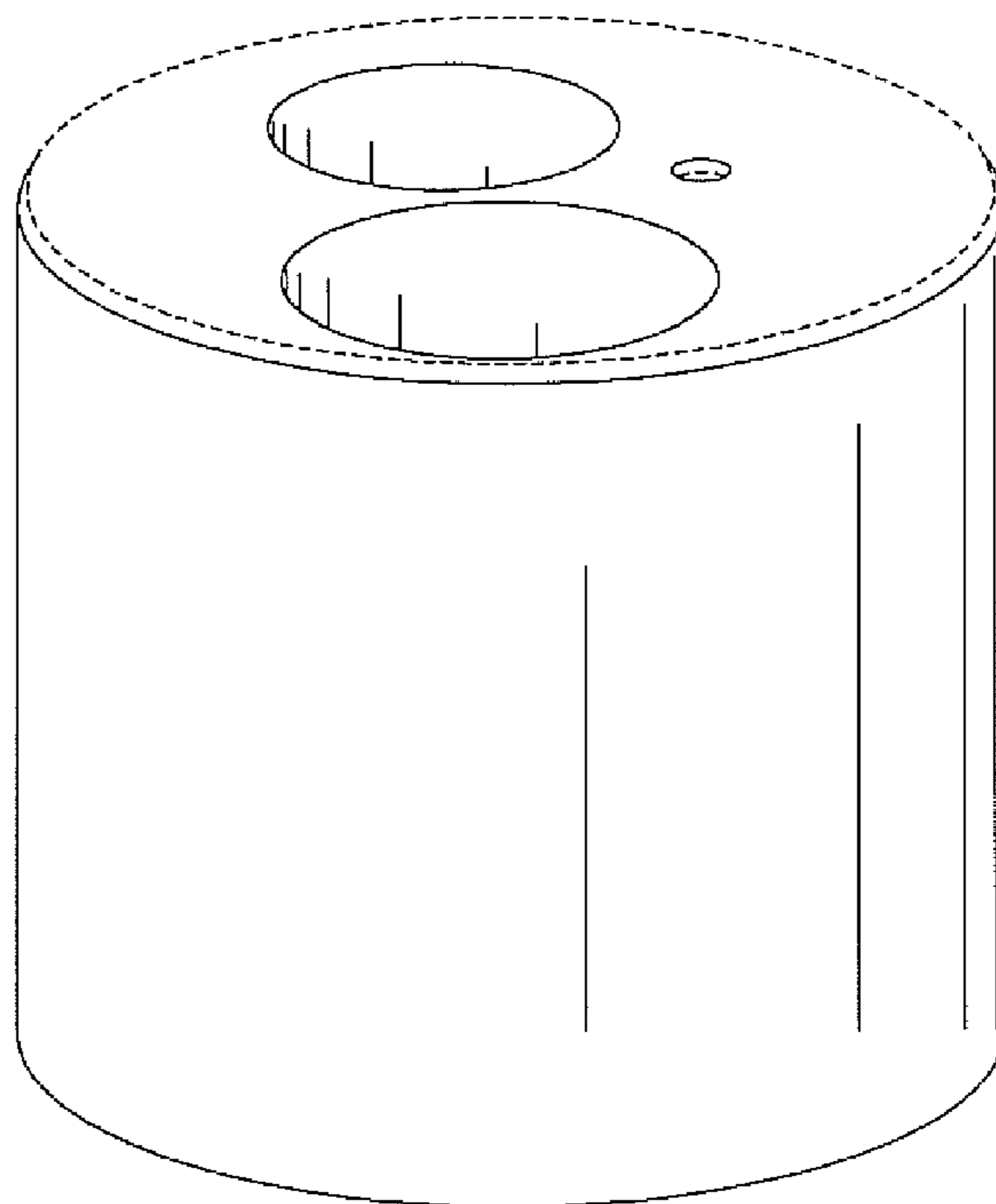
FIG. 5 is a cross-sectional view taken along line 5—5 of FIG. 3; and,

- 826,130 A \* 7/1906 Vold ..... 83/685
- D218,910 S \* 10/1970 Gargrave ..... D15/140
- 5,181,438 A \* 1/1993 Wellman ..... 76/107.1
- D346,174 S \* 4/1994 Stroh ..... D15/140
- D351,395 S \* 10/1994 Moellering ..... D15/140
- D388,445 S \* 12/1997 Powlett ..... D15/140
- 6,120,358 A \* 9/2000 Porter ..... 451/57

FIG. 6 is a cross-sectional view taken along line 6—6 of FIG. 3.

The broken lines showing the beveled edges, vent passage, threads, and other features are for illustrative purposes only and form no part of the claimed design.

**1 Claim, 6 Drawing Sheets**



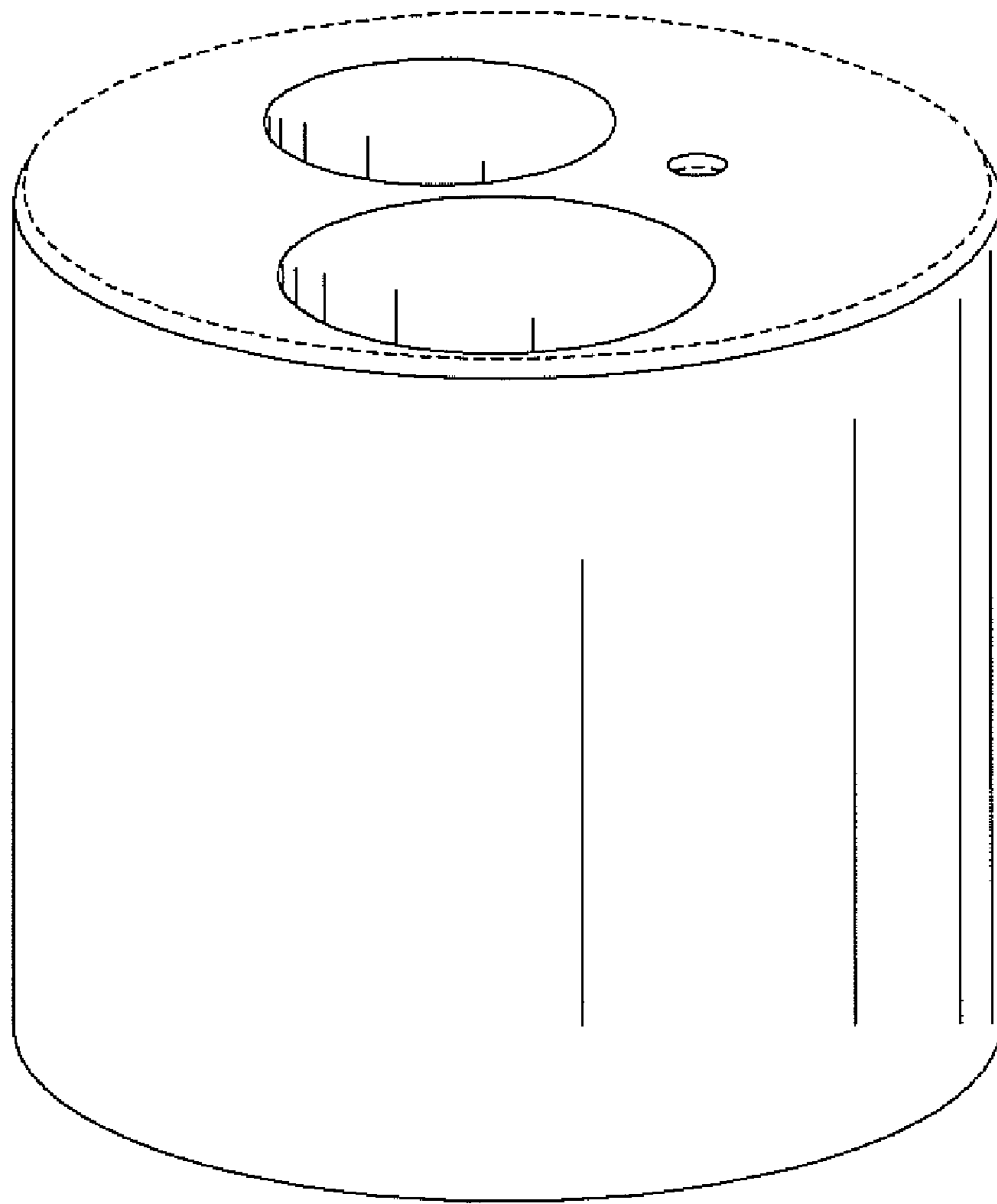


FIG 1

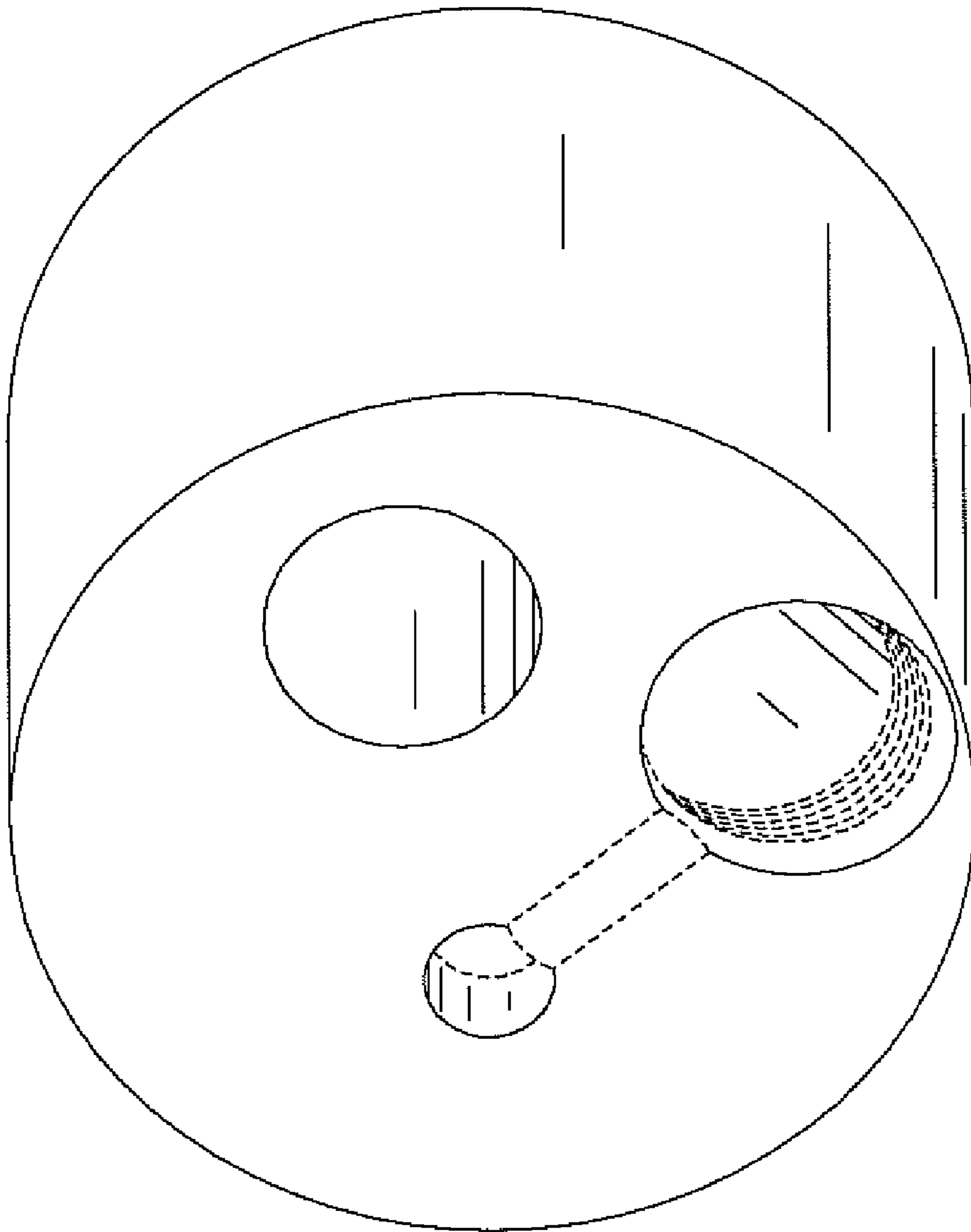


FIG 2

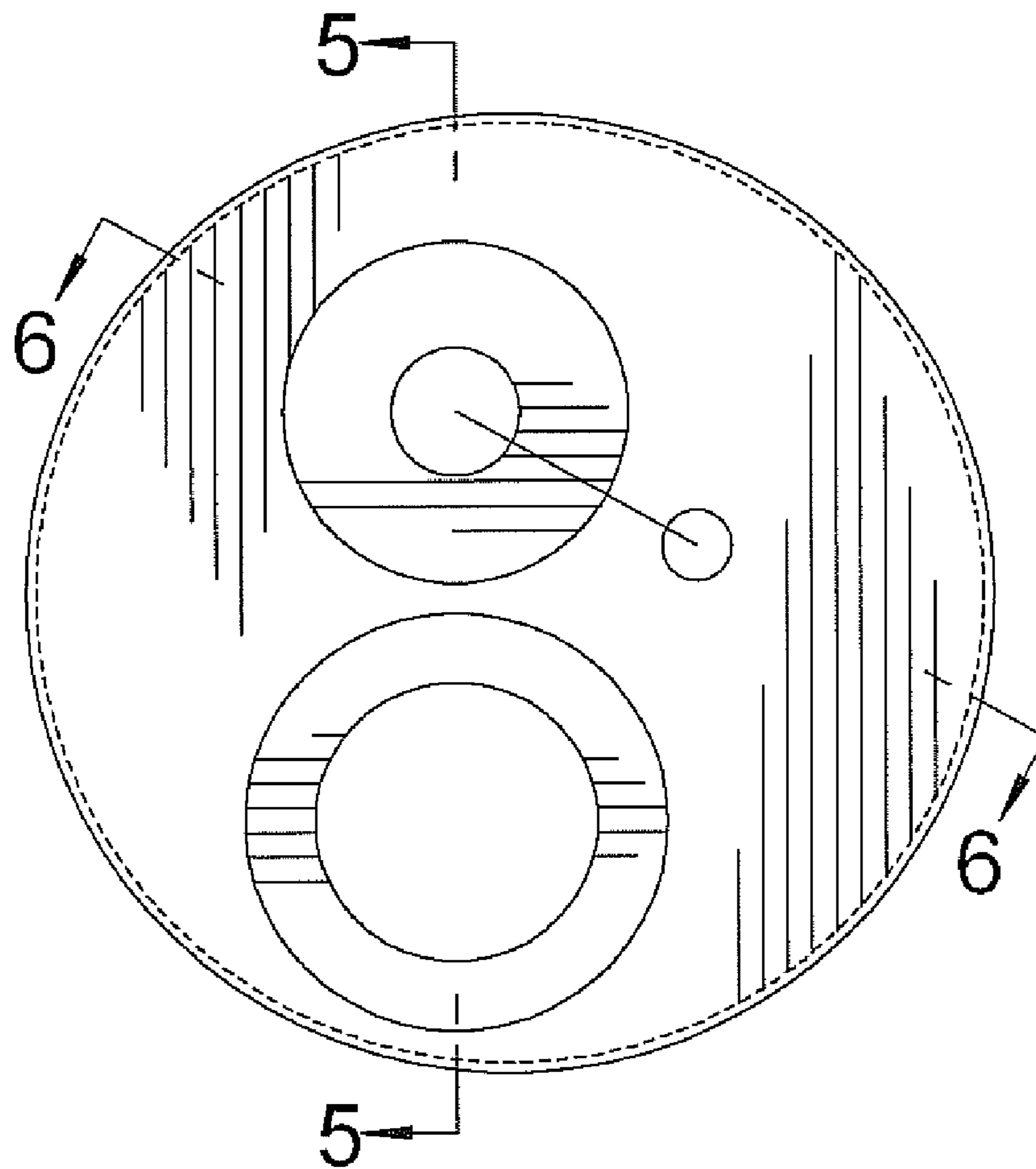


FIG 3

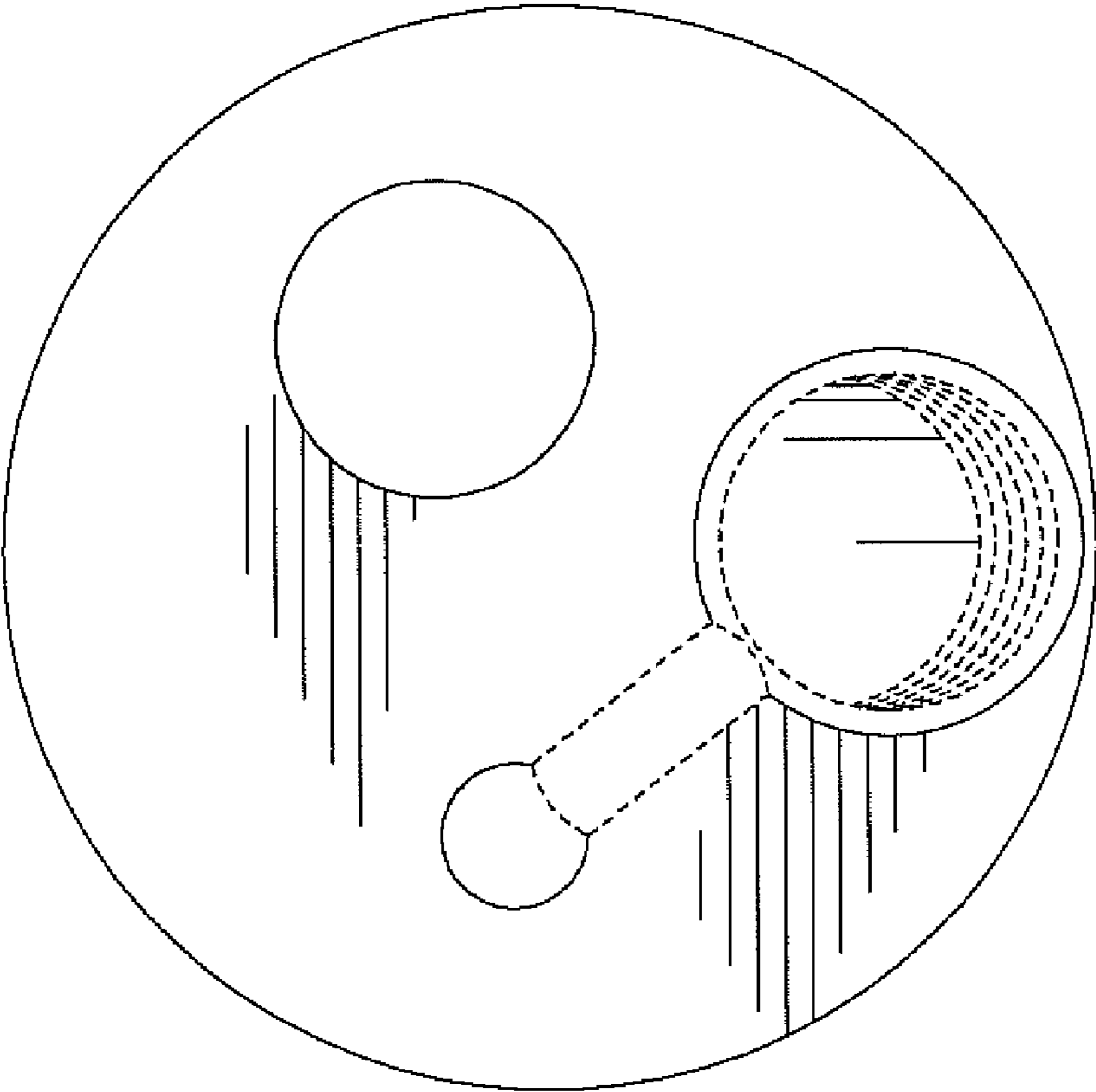


FIG 4

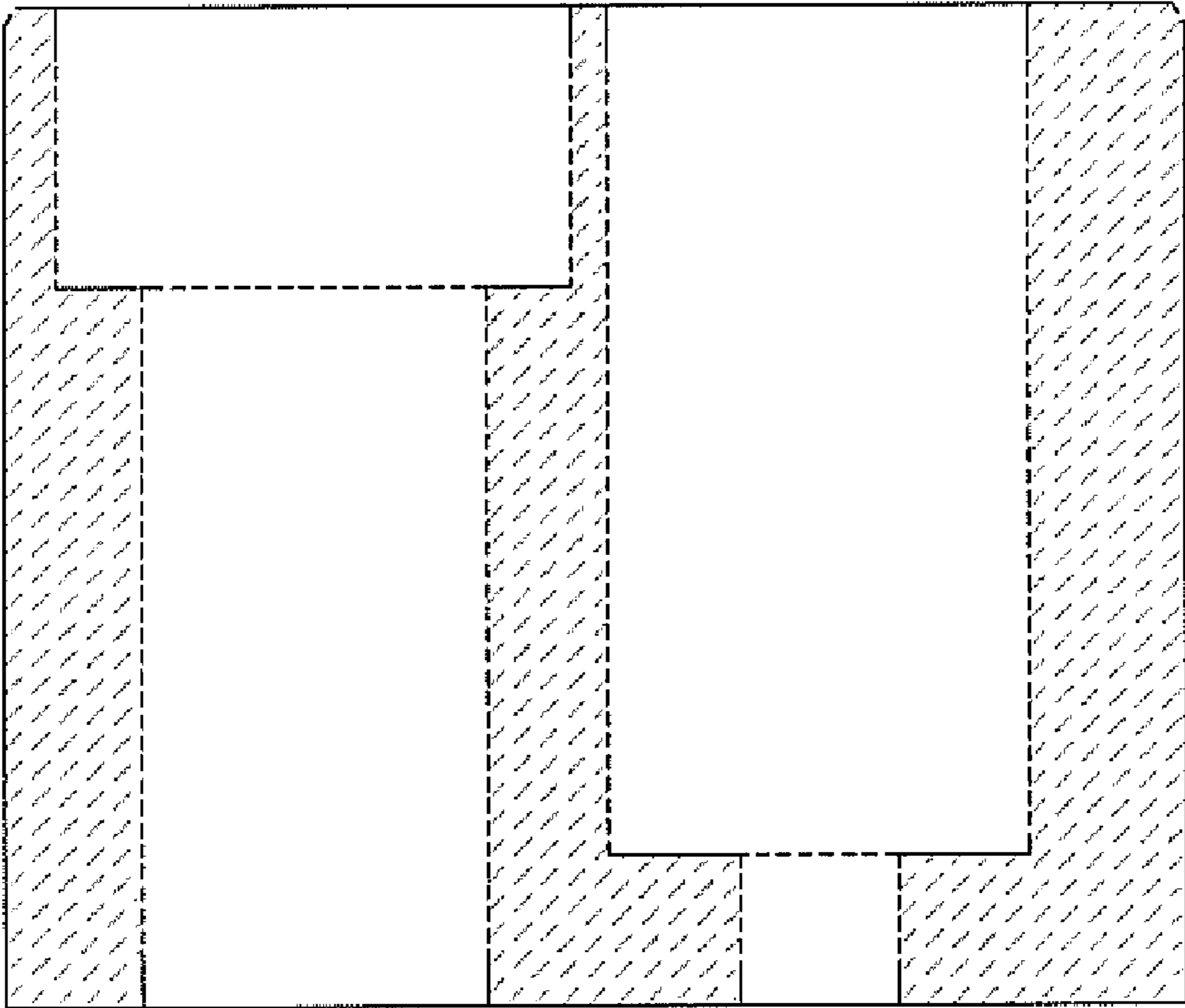


FIG 5

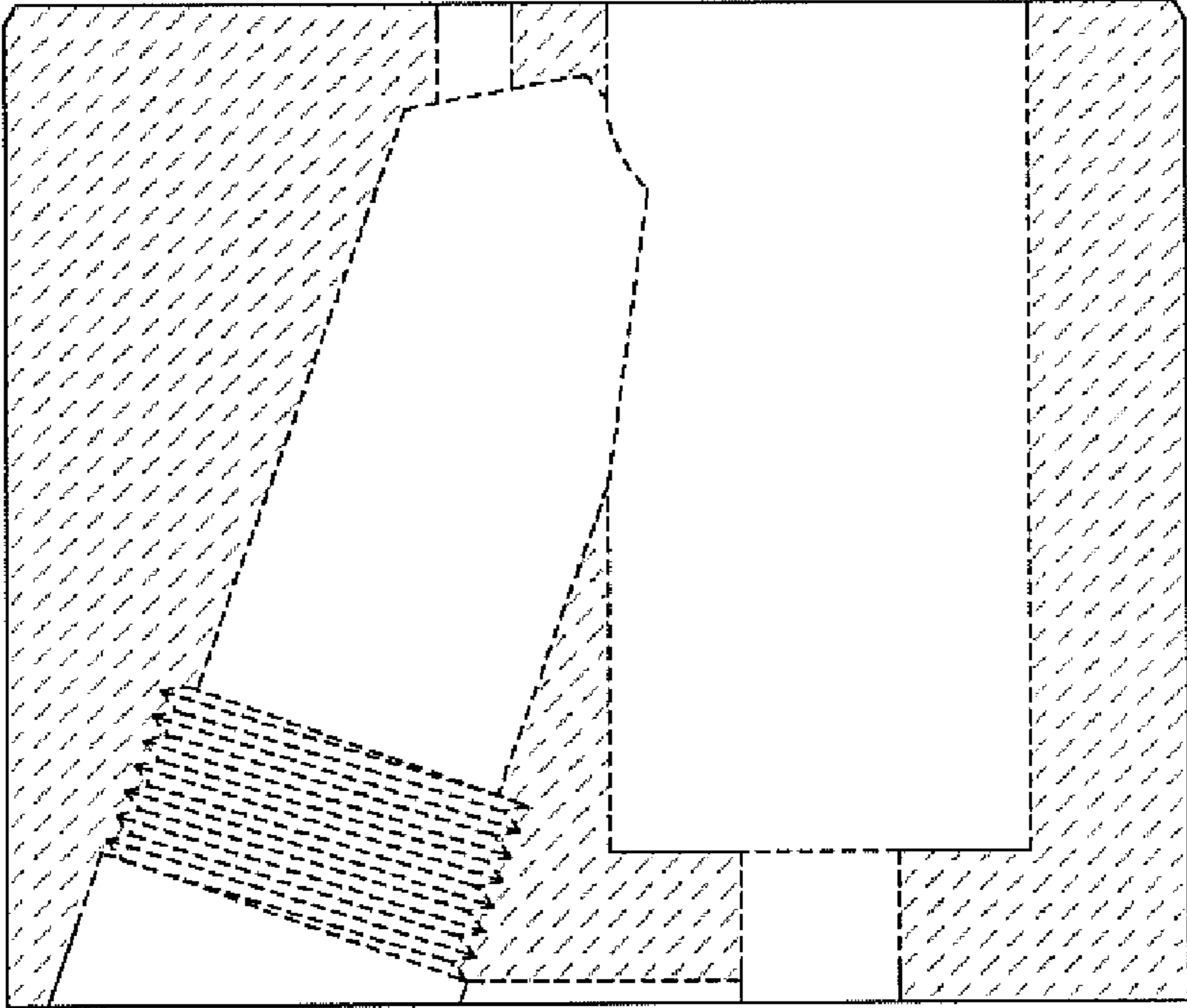


FIG 6