

US00D599385S

(12) **United States Design Patent**
Pfaff

(10) **Patent No.:** **US D599,385 S**
(45) **Date of Patent:** **** Sep. 1, 2009**

- (54) **FIREWOOD CHOP SAW**
- (75) Inventor: **Ernst Pfaff**, Ichenhausen (DE)
- (73) Assignee: **Scheppach Febrikation von Holzbearbeitungsmaschinen GmbH**, Ichenhausen (DE)
- (**) Term: **14 Years**
- (21) Appl. No.: **29/309,479**
- (22) Filed: **Aug. 22, 2008**
- (51) **LOC (9) Cl.** **15-09**
- (52) **U.S. Cl.** **D15/133**
- (58) **Field of Classification Search** D8/61, D8/64-69; D15/133, 134; 30/377-378, 30/388-391; 83/377, 378, 388, 397, 468.3, 83/469

See application file for complete search history.

(56) **References Cited**

U.S. PATENT DOCUMENTS

- D282,346 S * 1/1986 Pioch D8/66
- 5,484,003 A * 1/1996 Bisel 144/287
- D372,484 S * 8/1996 Price et al. D15/133
- D409,066 S * 5/1999 Welsh D8/66
- D415,001 S * 10/1999 Welsh D8/66

- D470,158 S * 2/2003 English D15/133
- 6,763,751 B2 * 7/2004 Judge 83/471.3
- 2001/0008098 A1 * 7/2001 Dibbern et al. 83/471.3
- 2003/0209107 A1 * 11/2003 Dibbern et al. 76/25.1

* cited by examiner

Primary Examiner—Sandra Snapp
Assistant Examiner—Patricia Palasik
(74) *Attorney, Agent, or Firm*—Bacon & Thomas, PLLC

(57) **CLAIM**

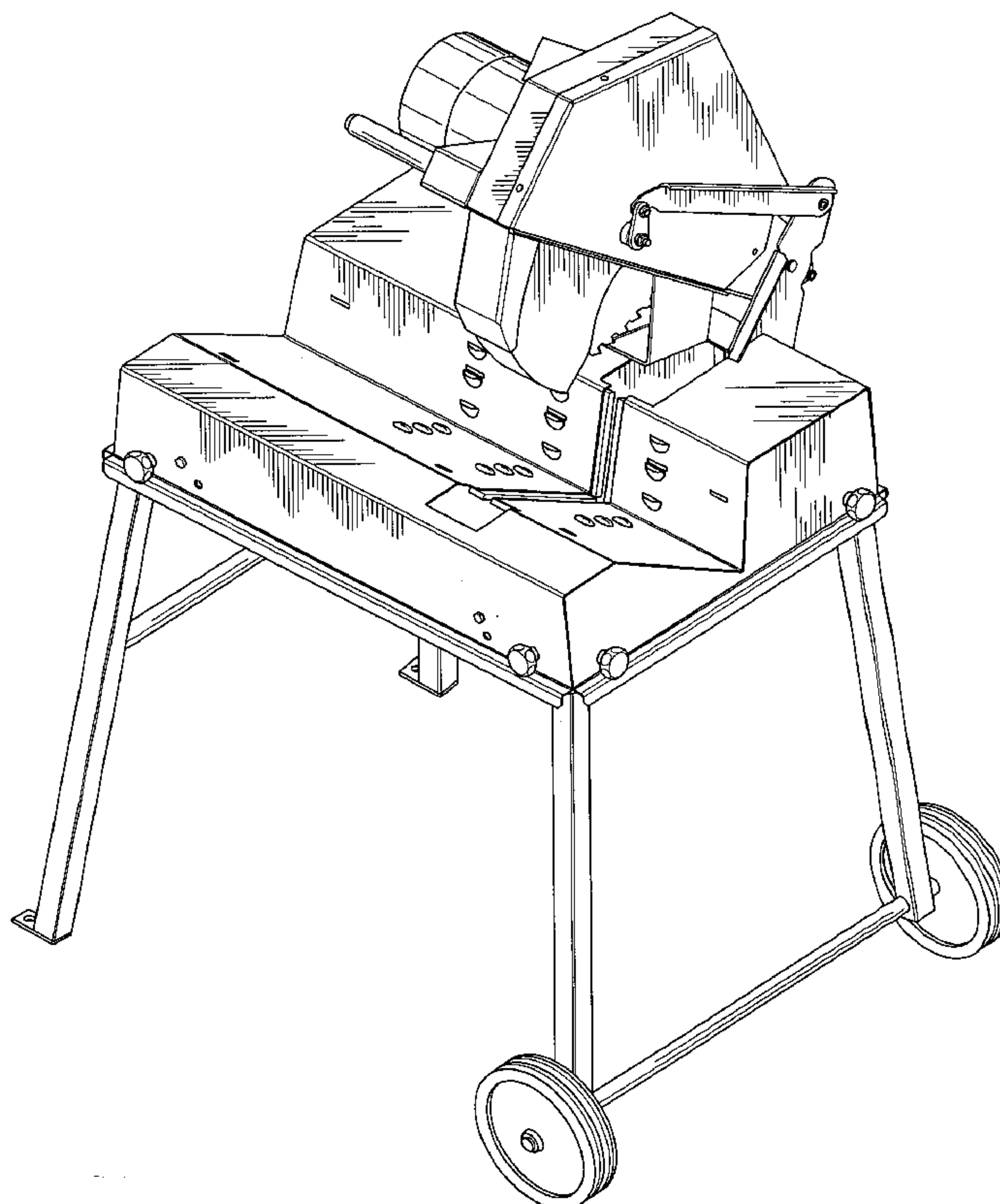
The ornamental design of a firewood chop saw, as shown and described.

DESCRIPTION

- FIG. 1 is a front view from the right of the firewood chop saw according to the invention;
- FIG. 2 is a front view from the left of the firewood chop saw according to the invention;
- FIG. 3 is a rear view from the right of the firewood chop saw; and,
- FIG. 4 is a rear view from the left of the firewood chop saw according to the invention.

The broken lines in the drawings depict unclaimed environmental subject matter.

1 Claim, 4 Drawing Sheets



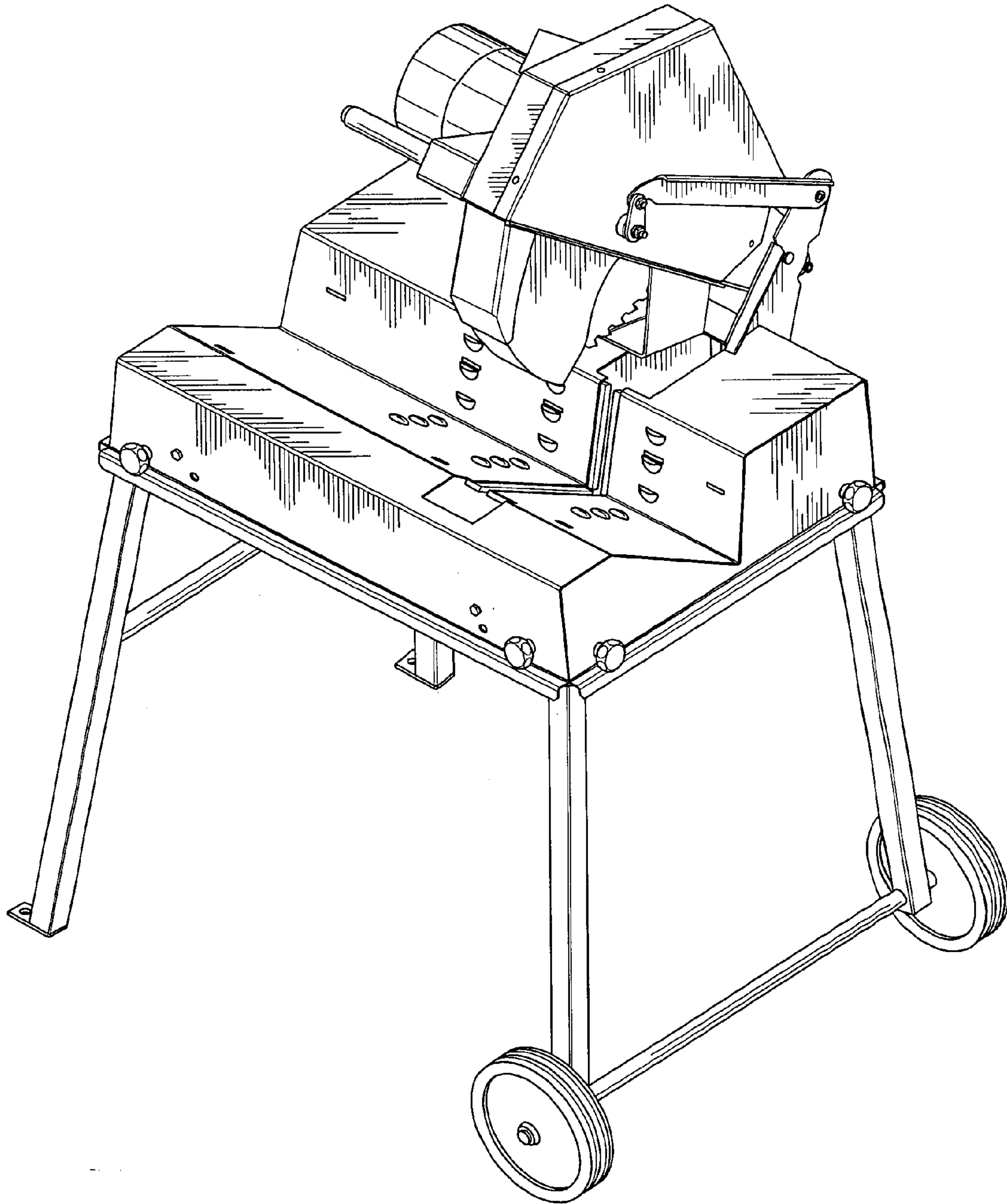


FIG. 1

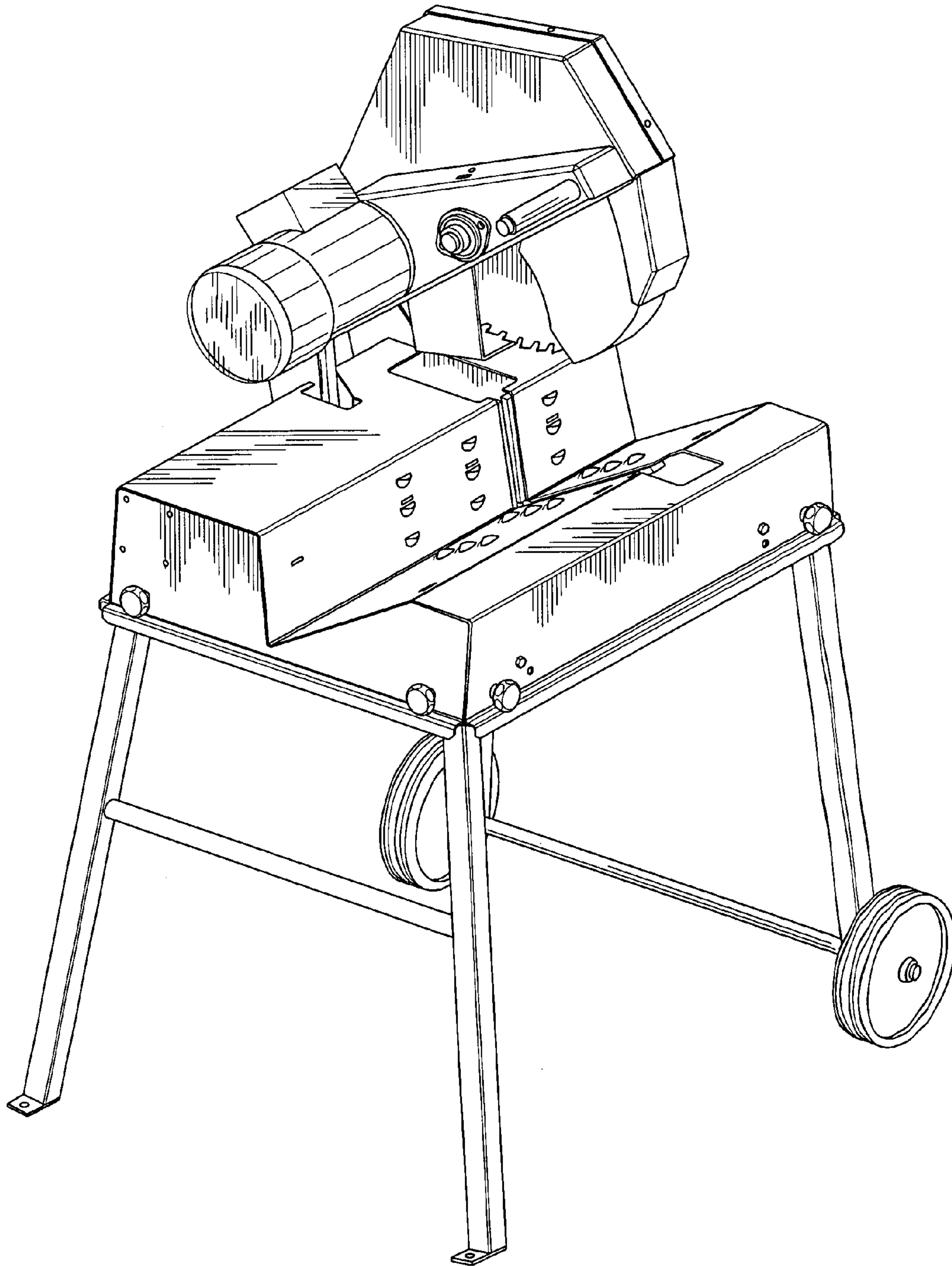


FIG. 2

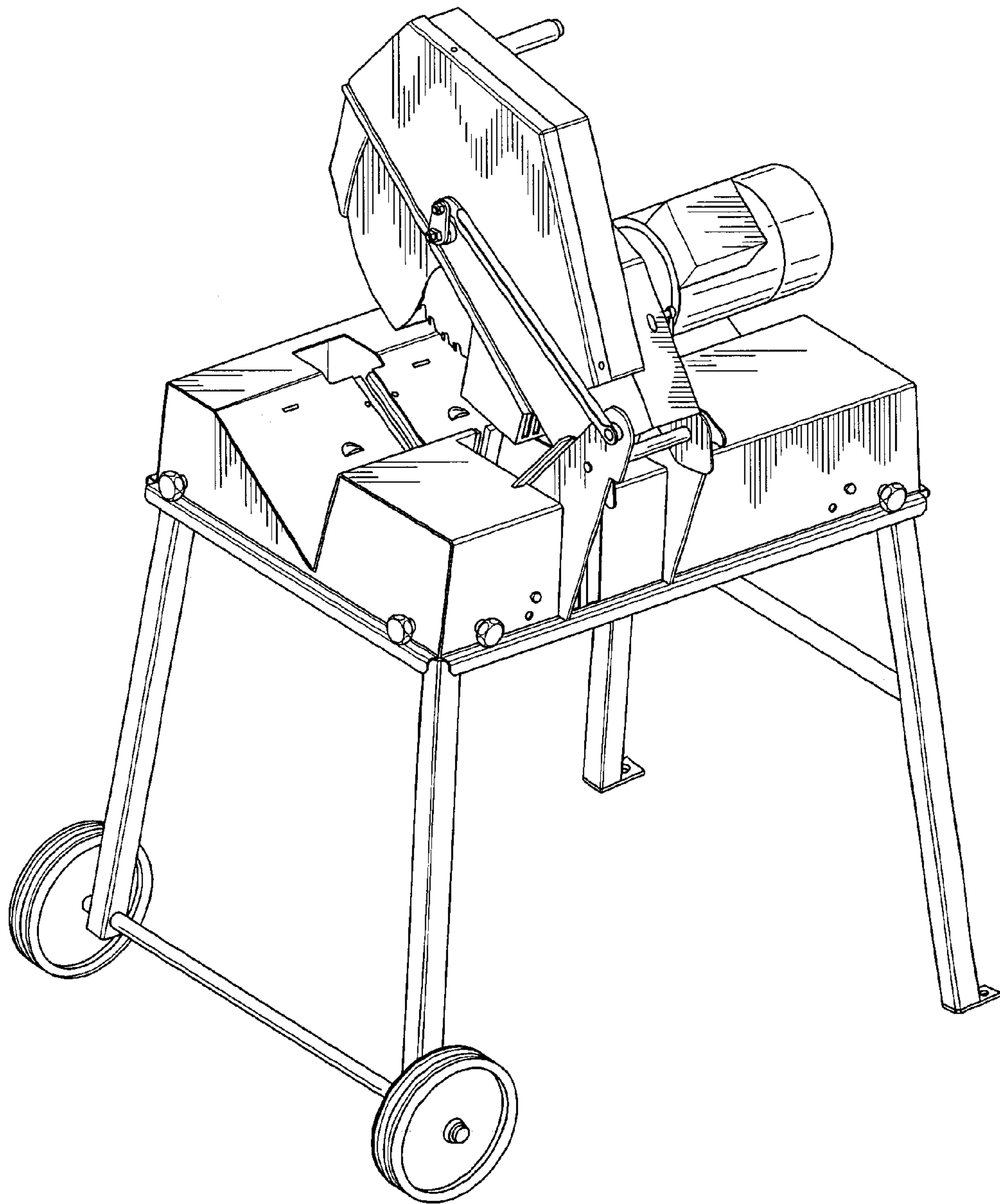


FIG. 3

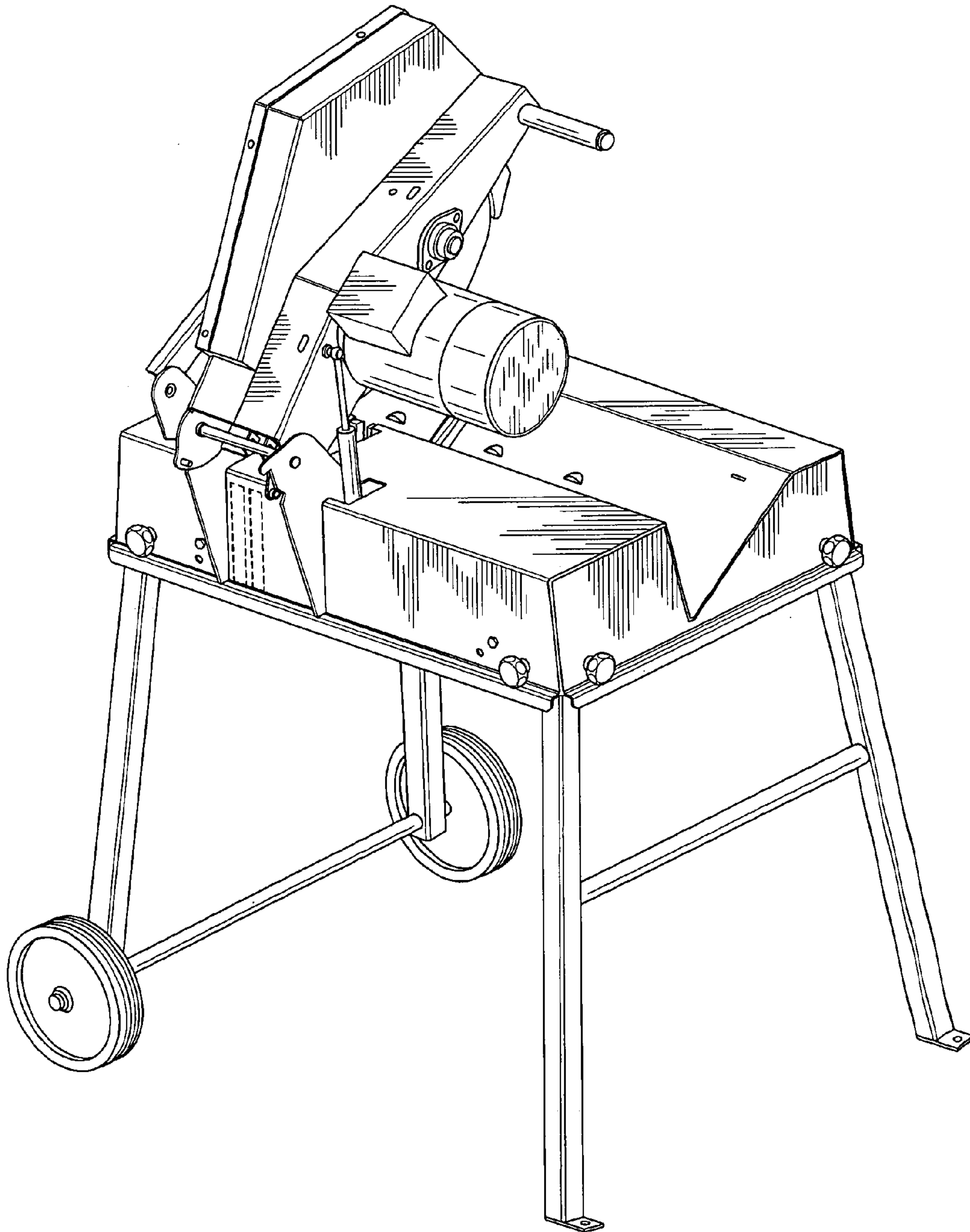


FIG. 4