

US00D599383S

(12) **United States Design Patent**
Tsai

(10) **Patent No.:** **US D599,383 S**

(45) **Date of Patent:** **** Sep. 1, 2009**

(54) **RIVETING MACHINE**

(76) Inventor: **Chia-Lin Tsai**, No. 53, Lane 134,
Dongan Road, Tainan City (TW) 70160

(**) Term: **14 Years**

(21) Appl. No.: **29/314,557**

(22) Filed: **Apr. 8, 2009**

(51) **LOC (9) Cl.** **15-09**

(52) **U.S. Cl.** **D15/128**

(58) **Field of Classification Search** D15/122,
D15/128; 29/34 B, 243.53, 243.54, 407.09,
29/524.1, 525.06; 72/455; 227/51, 61, 62
See application file for complete search history.

(56) **References Cited**

U.S. PATENT DOCUMENTS

1,783,445	A *	12/1930	Olson et al.	29/34 B
1,808,041	A *	6/1931	Johnson, Jr. et al.	29/34 B
3,586,230	A *	6/1971	Hill et al.	227/51
D238,703	S *	2/1976	Rawson	D15/122
D253,892	S *	1/1980	Humphreys	D15/128
D274,186	S *	6/1984	Asai et al.	D15/122
6,964,094	B2 *	11/2005	Kondo	29/798
7,290,431	B1 *	11/2007	Spivak	72/452.8
2003/0121133	A1 *	7/2003	Yagawa	29/243.53

2006/0090320	A1 *	5/2006	Matthews et al.	29/407.09
2006/0218780	A1 *	10/2006	Lewis et al.	29/798
2008/0178454	A1 *	7/2008	Morris et al.	29/432.2

* cited by examiner

Primary Examiner—Sandra Snapp
Assistant Examiner—Patricia Palasik
(74) *Attorney, Agent, or Firm*—Pro-Techtor Int’l Services;
Ralph Willgohs

(57) **CLAIM**

The ornamental design for a riveting machine, as shown and described.

DESCRIPTION

FIG. 1 is a perspective view of a riveting machine showing my new design;

FIG. 2 is a front view thereof;

FIG. 3 is a rear view thereof;

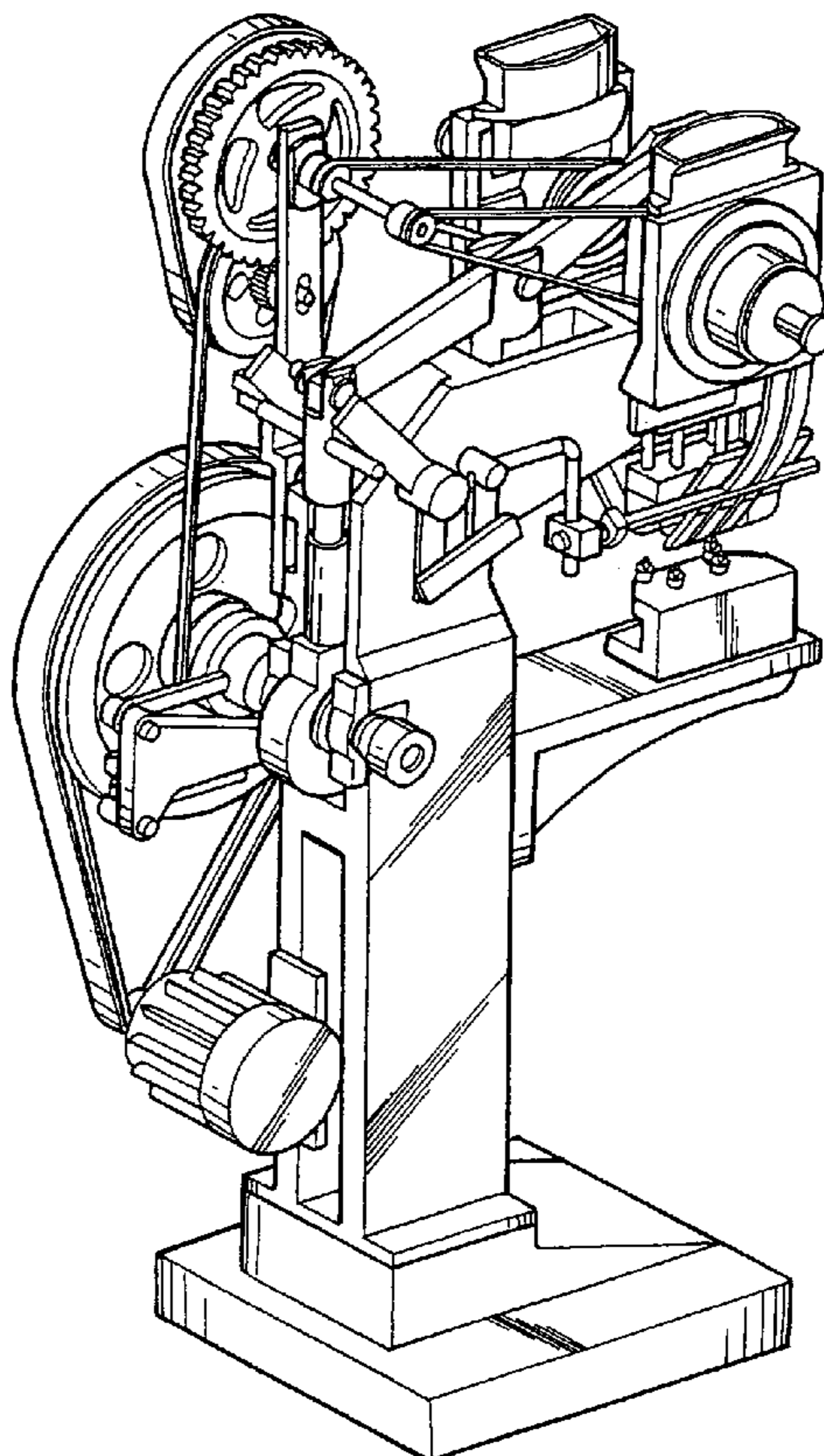
FIG. 4 is a left side view thereof;

FIG. 5 is a right side view thereof;

FIG. 6 is a top view thereof; and,

FIG. 7 is a bottom view thereof.

1 Claim, 3 Drawing Sheets



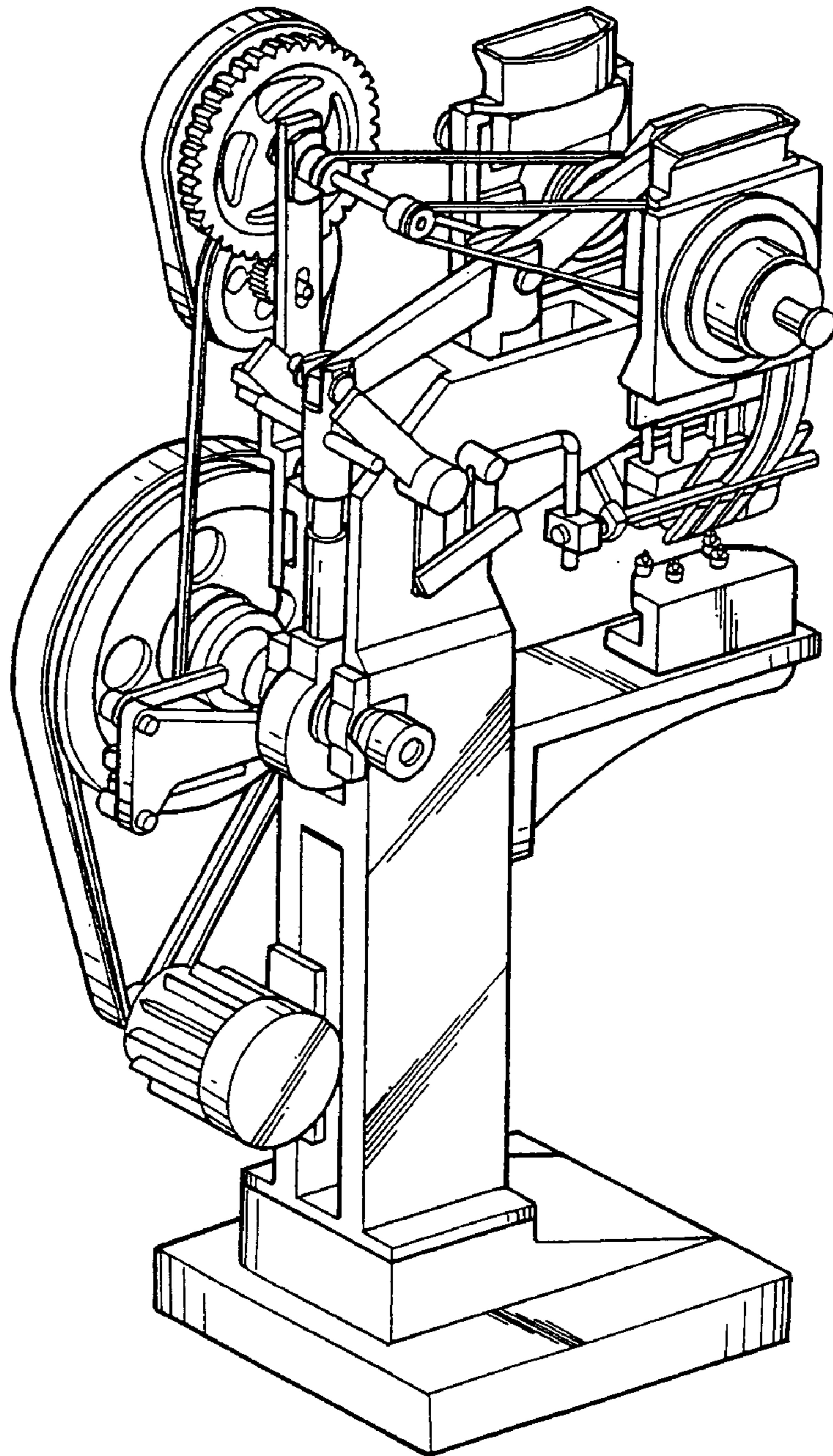


Fig. 1

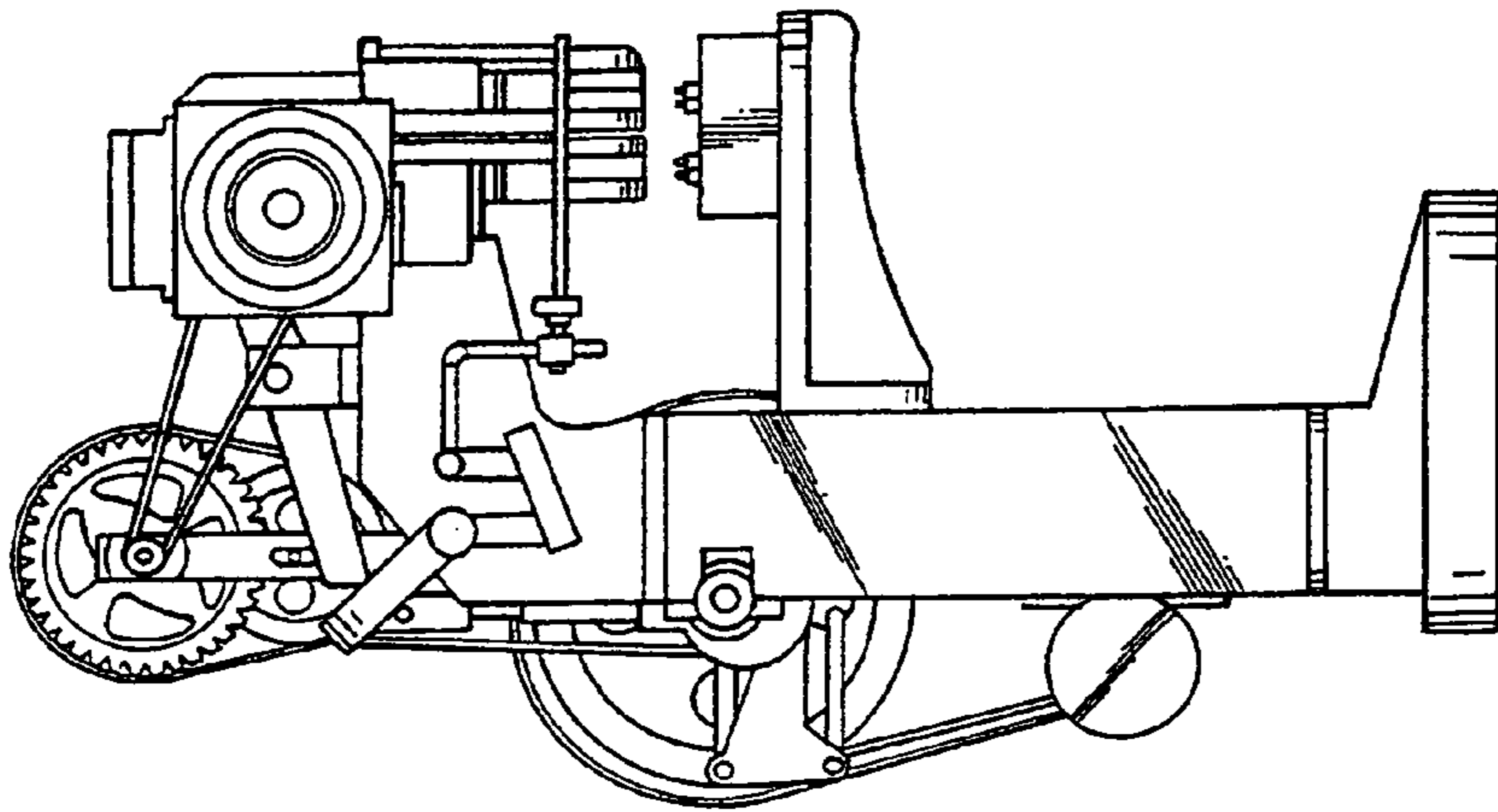


Fig. 2

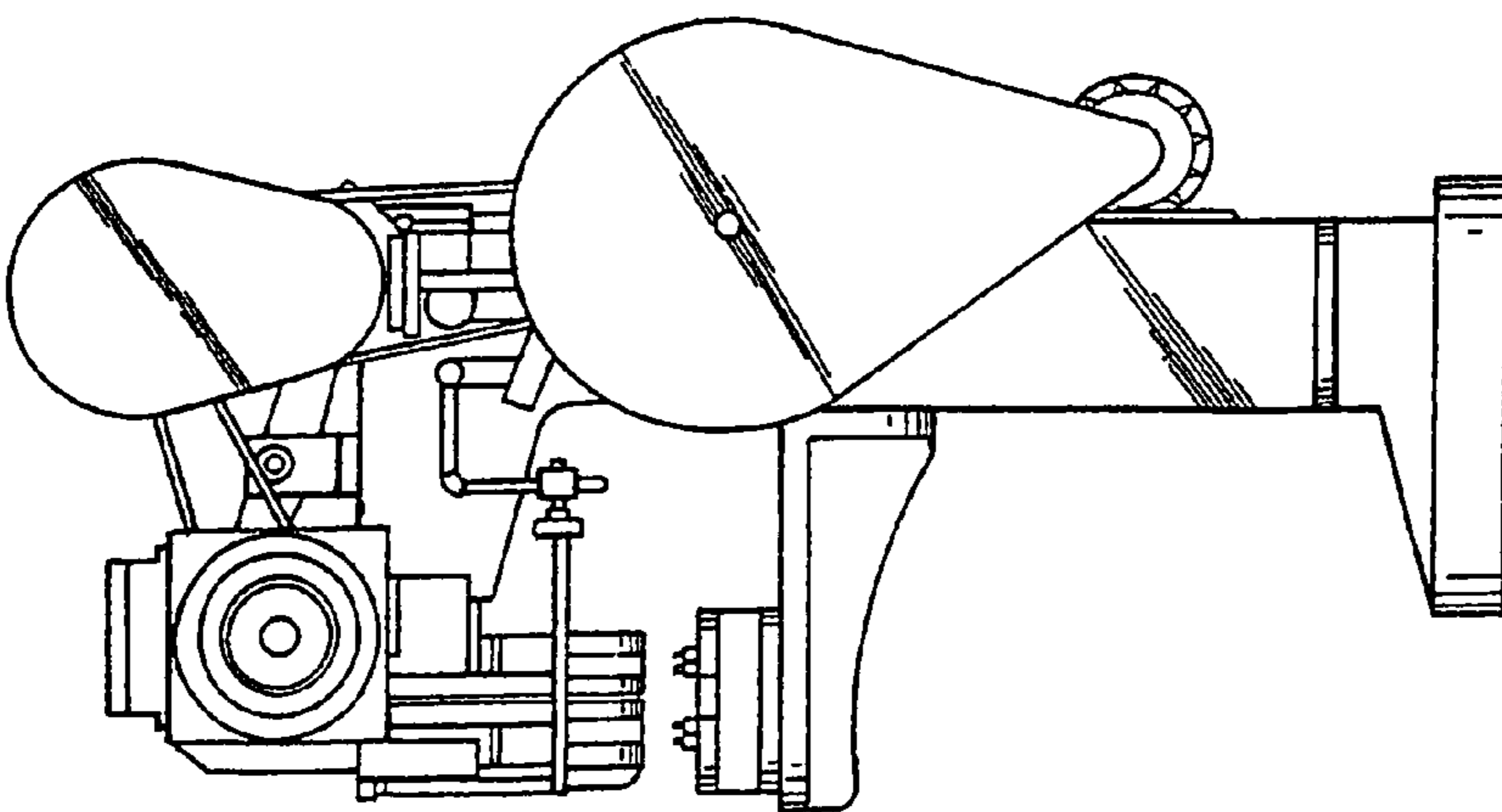


Fig. 3

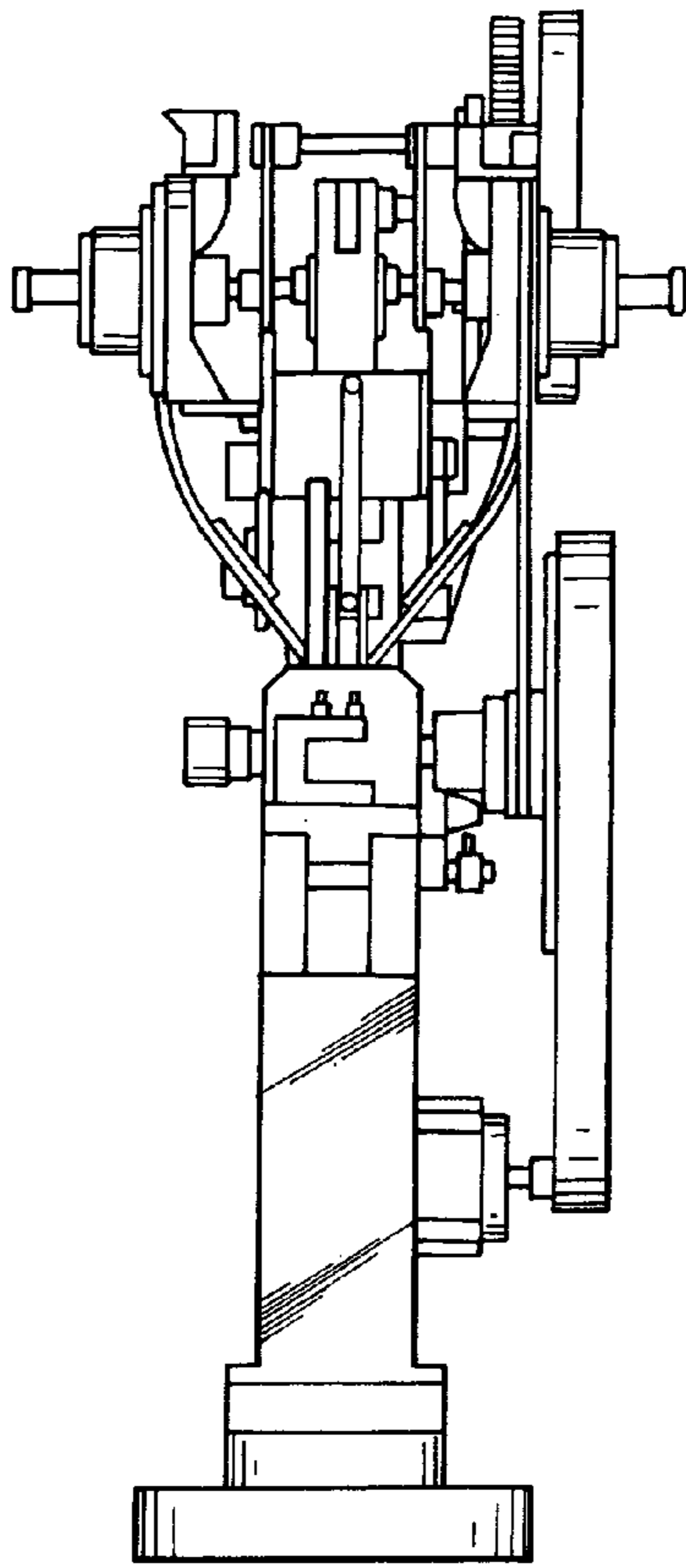


Fig. 5

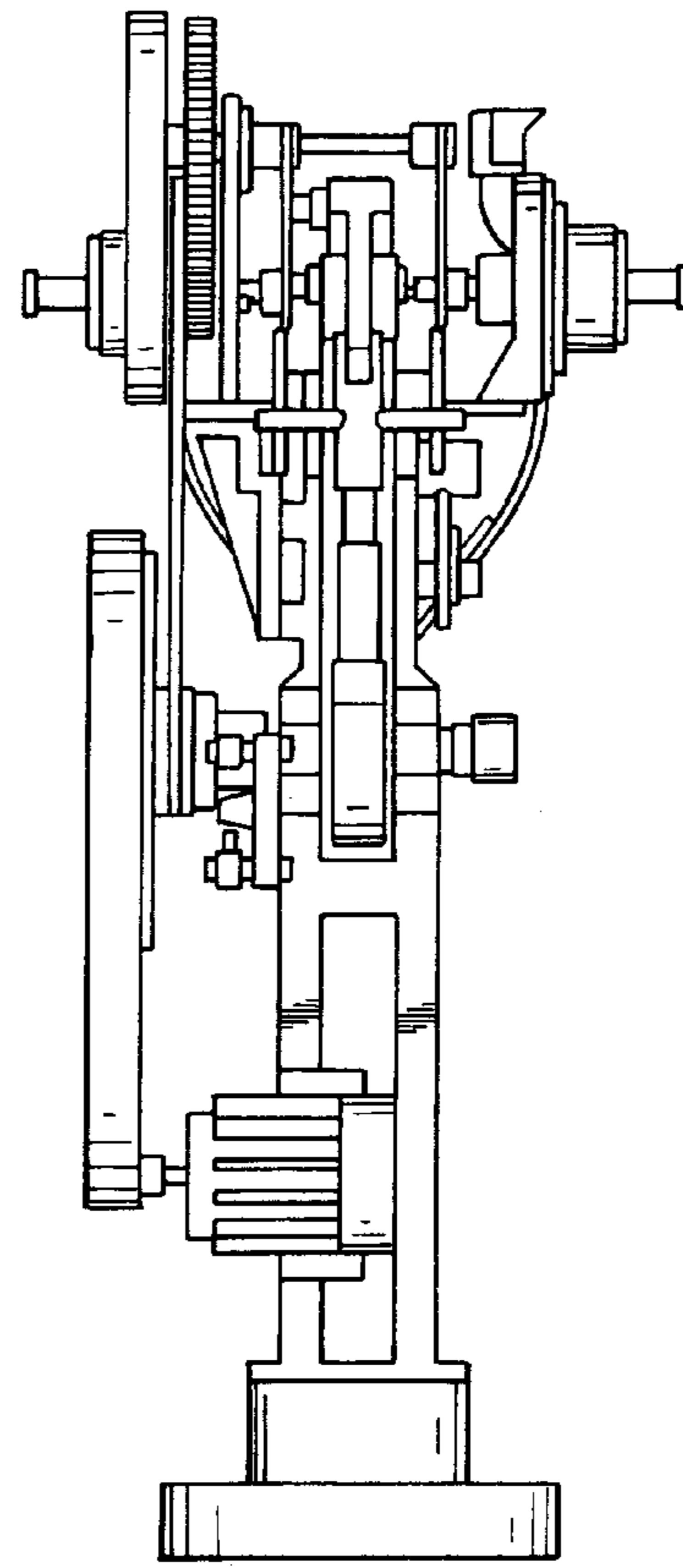


Fig. 4

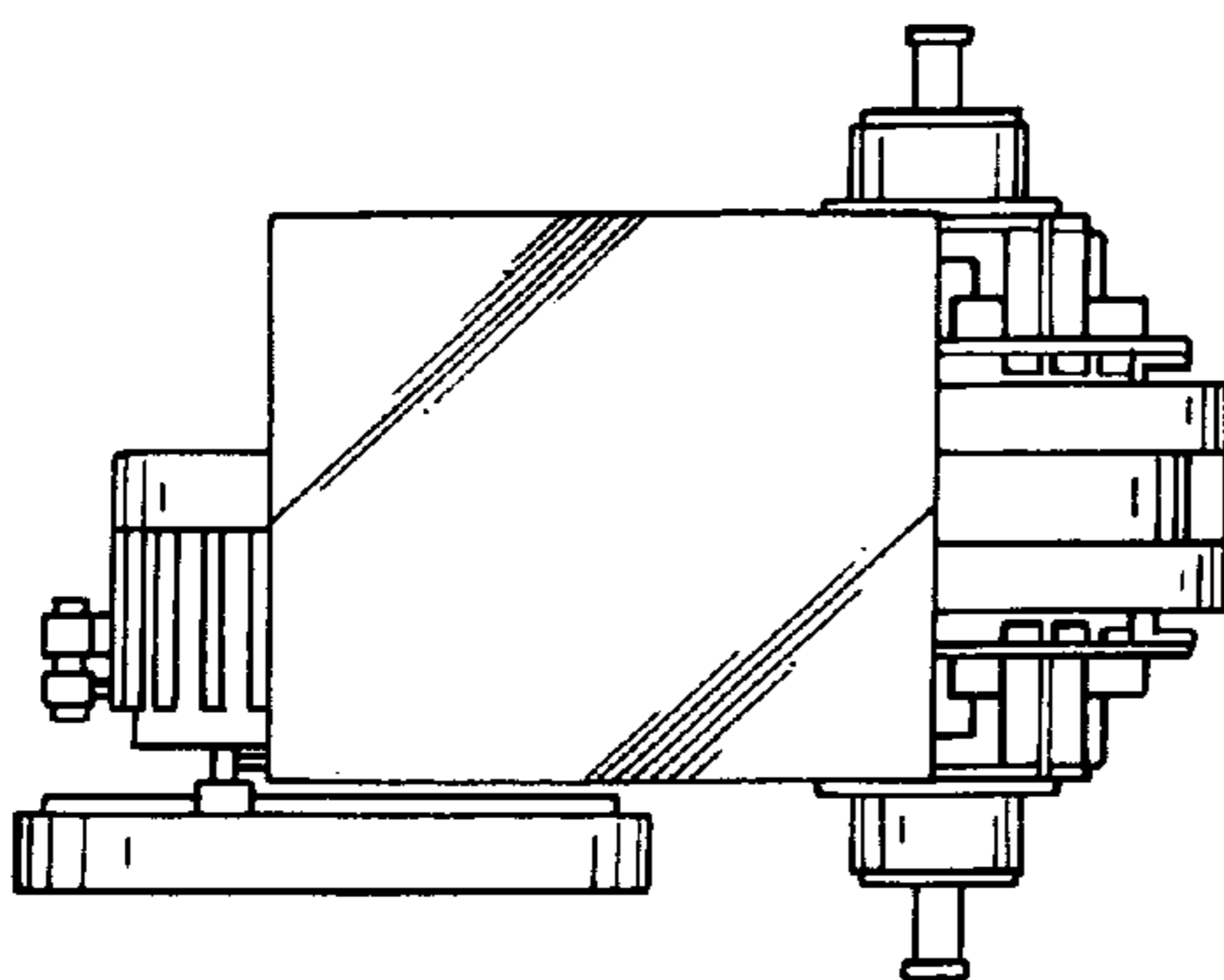


Fig. 7

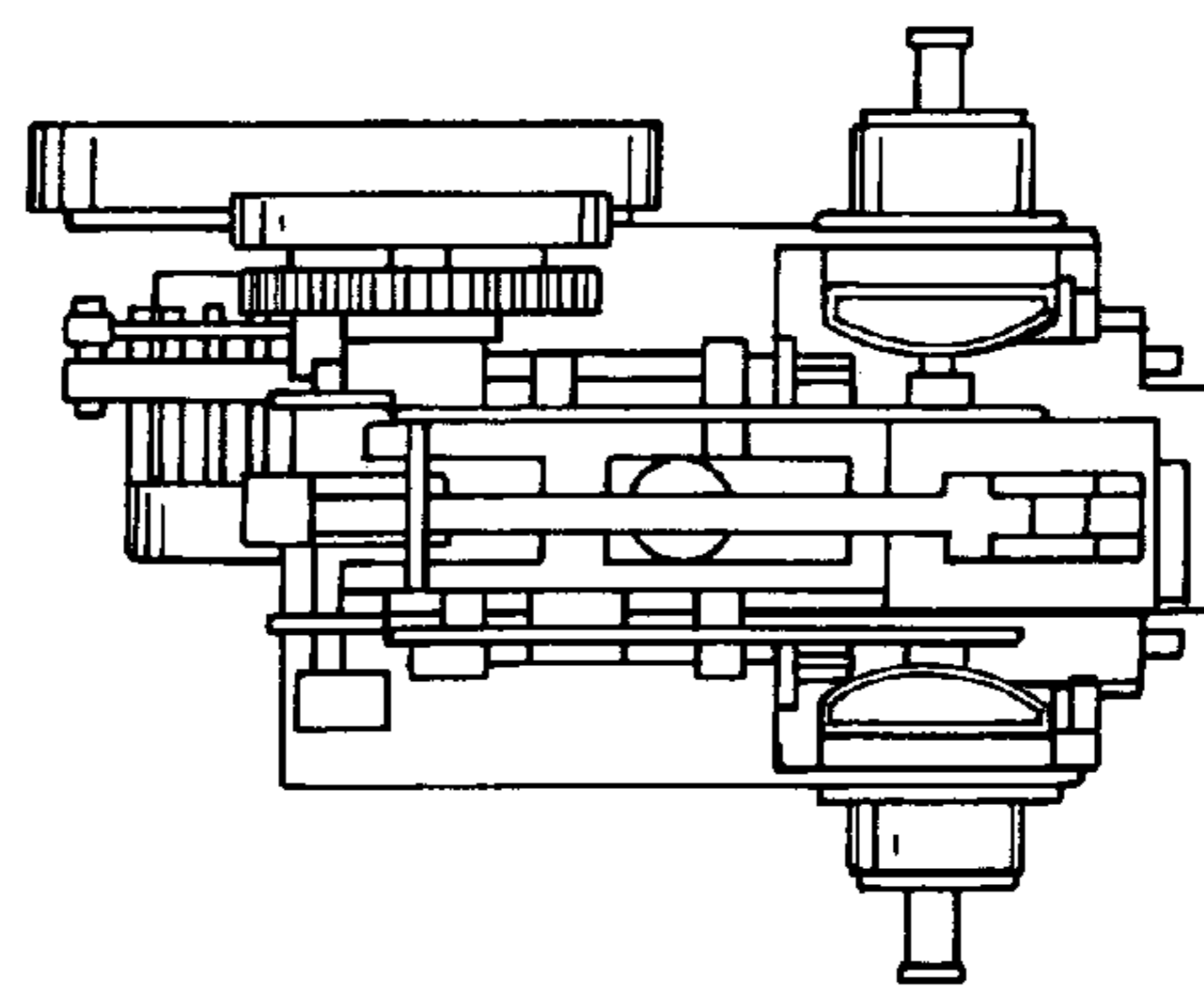


Fig. 6