



US00D599382S

(12) **United States Design Patent**
Tsai

(10) **Patent No.:** **US D599,382 S**

(45) **Date of Patent:** **** Sep. 1, 2009**

(54) **RIVETING MACHINE**

(76) Inventor: **Chia-Lin Tsai**, No. 53, Lane 134,
Dongan Road, Tainan City (TW) 70160

(**) Term: **14 Years**

(21) Appl. No.: **29/314,555**

(22) Filed: **Apr. 8, 2009**

(51) **LOC (9) Cl.** **15-09**

(52) **U.S. Cl.** **D15/128**

(58) **Field of Classification Search** D15/122,
D15/128; 29/34 B, 243.53, 243.54, 407.09,
29/524.1, 525.06; 72/455; 227/51, 61, 62
See application file for complete search history.

(56) **References Cited**

U.S. PATENT DOCUMENTS

| | | | | | |
|--------------|------|---------|----------------------|-------|-----------|
| 1,783,445 | A * | 12/1930 | Olson et al. | | 29/34 B |
| 1,808,041 | A * | 6/1931 | Johnson, Jr., et al. | | 29/34 B |
| 3,586,230 | A * | 6/1971 | Hill et al. | | 227/51 |
| D238,703 | S * | 2/1976 | Rawson | | D15/122 |
| D253,892 | S * | 1/1980 | Humphreys | | D15/128 |
| D274,186 | S * | 6/1984 | Asai et al. | | D15/122 |
| 6,964,094 | B2 * | 11/2005 | Kondo | | 29/798 |
| 7,290,431 | B1 * | 11/2007 | Spivak | | 72/452.8 |
| 2003/0121133 | A1 * | 7/2003 | Yagawa | | 29/243.53 |
| 2006/0090320 | A1 * | 5/2006 | Matthews et al. | | 29/407.09 |

2006/0218780 A1* 10/2006 Lewis et al. 29/798
2008/0178454 A1* 7/2008 Morris et al. 29/432.2

* cited by examiner

Primary Examiner—Sandra Snapp
Assistant Examiner—Patricia Palasik
(74) *Attorney, Agent, or Firm*—Pro-Techtor Int'l Services;
Ralph Willgohs

(57) **CLAIM**

The ornamental design for a riveting machine, as shown and described.

DESCRIPTION

FIG. 1 is a perspective view of a riveting machine showing my new design;

FIG. 2 is a front view thereof;

FIG. 3 is a rear view thereof;

FIG. 4 is a left side view thereof;

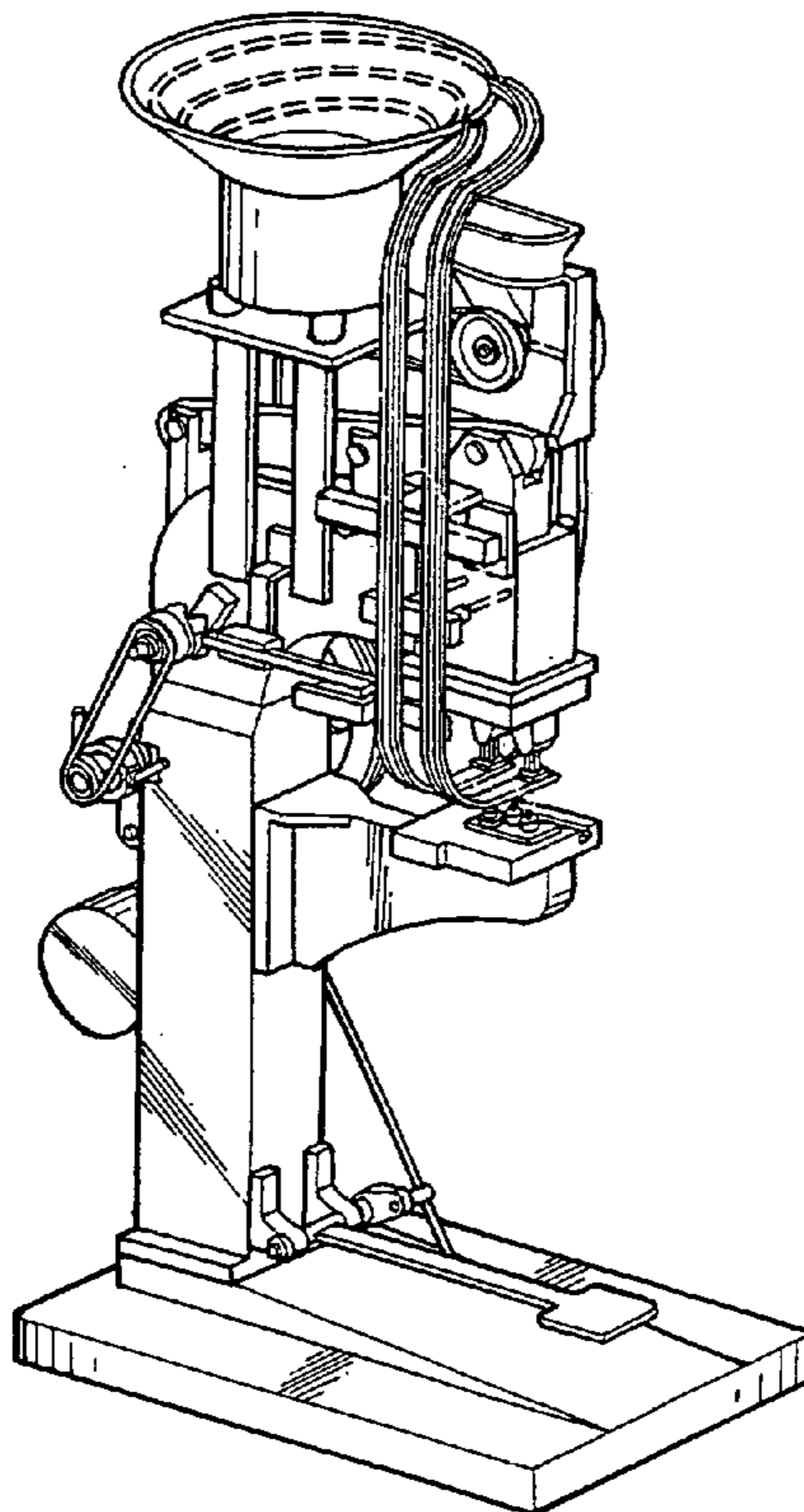
FIG. 5 is a right side view thereof;

FIG. 6 is a top view thereof; and,

FIG. 7 is a bottom view thereof.

The broken lines in the drawings depict unclaimed environmental subject matter.

1 Claim, 3 Drawing Sheets



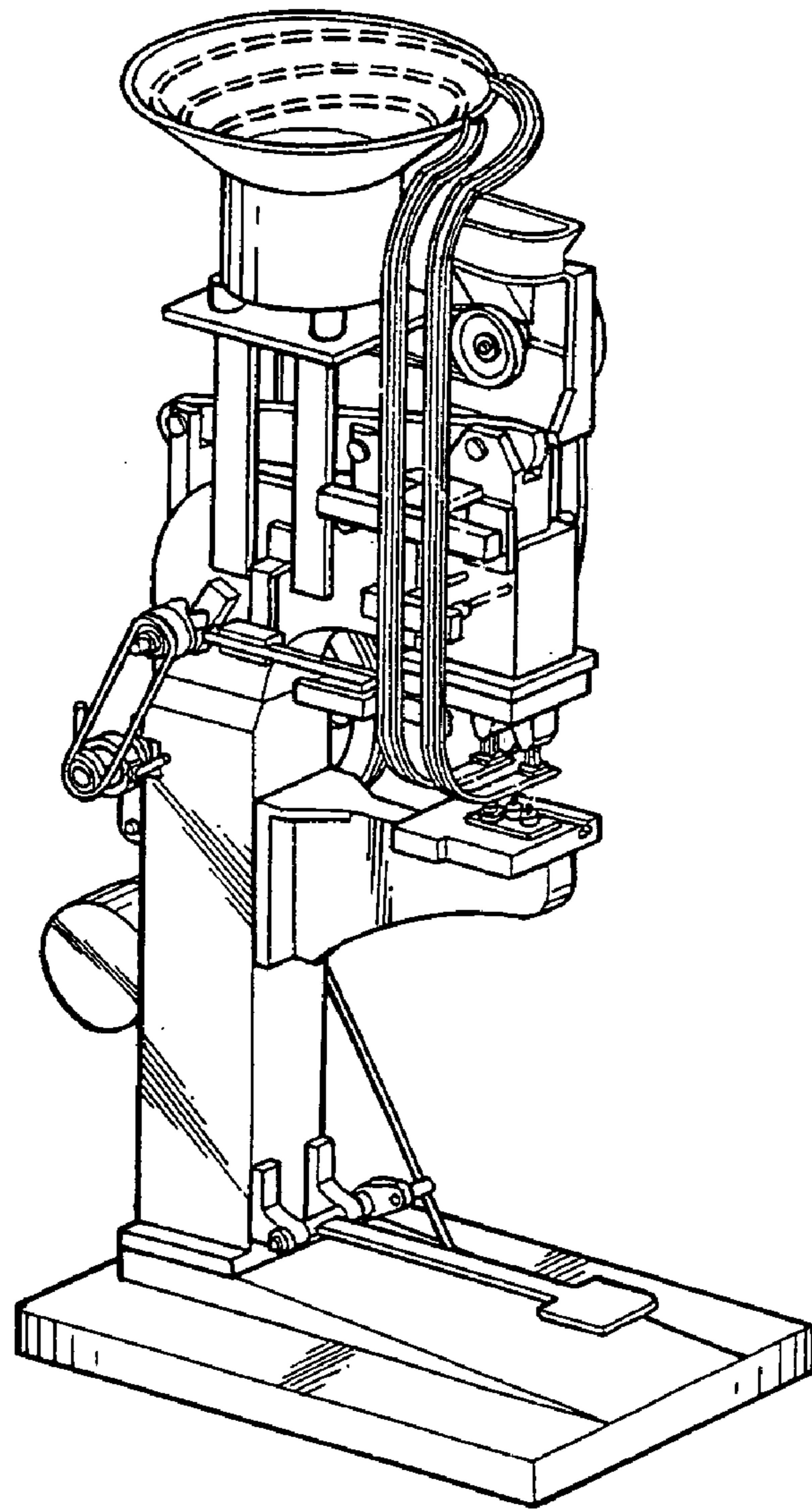


Fig. 1

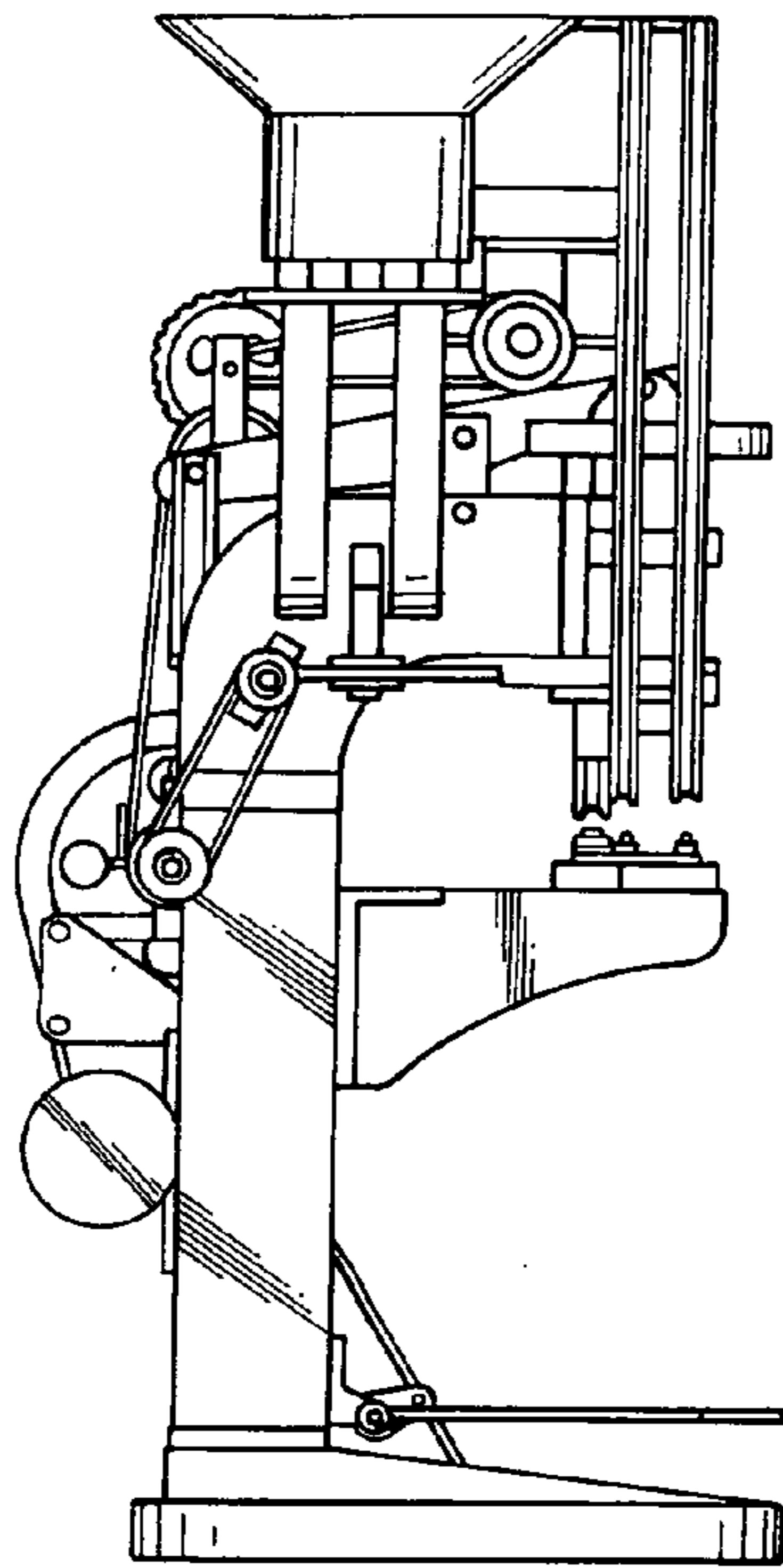


Fig. 2

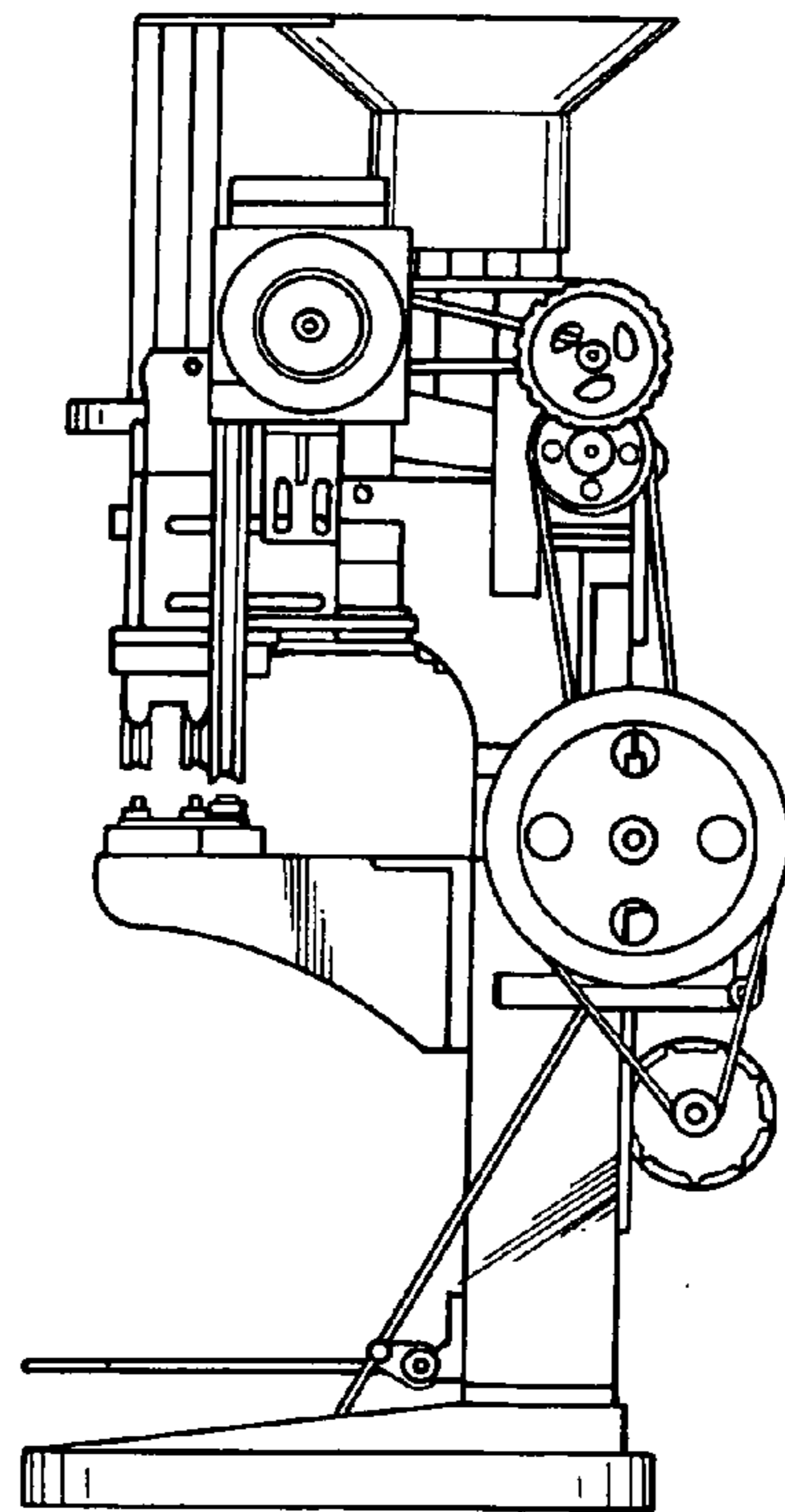


Fig. 3

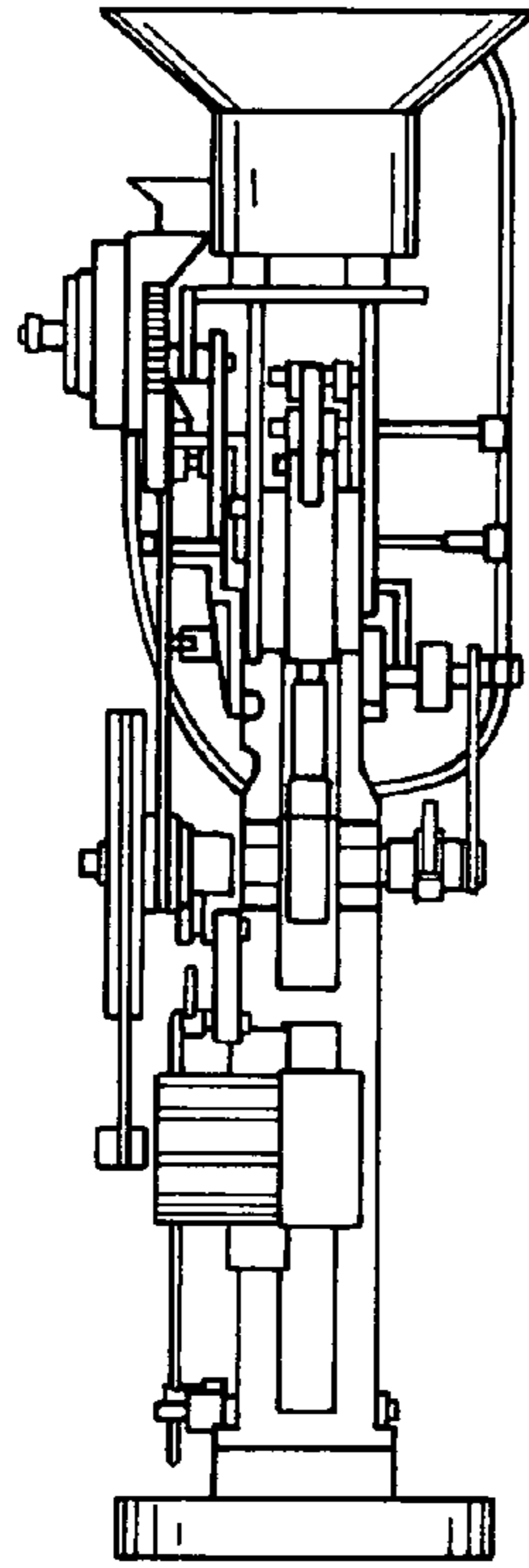


Fig. 4

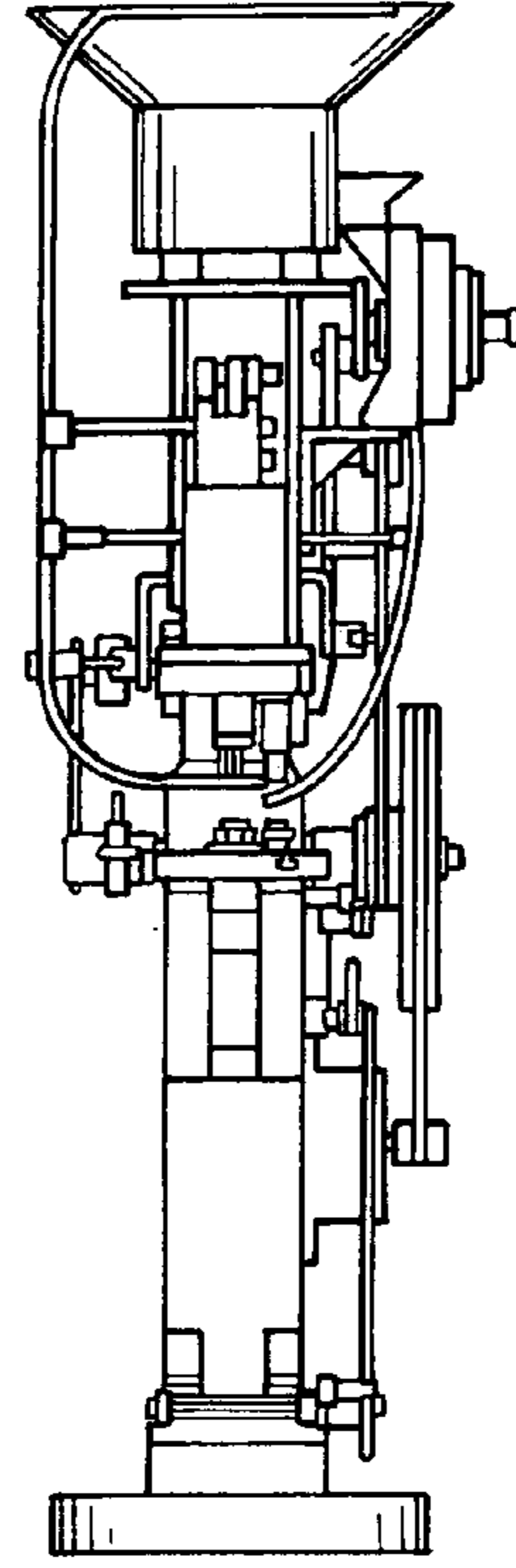


Fig. 5

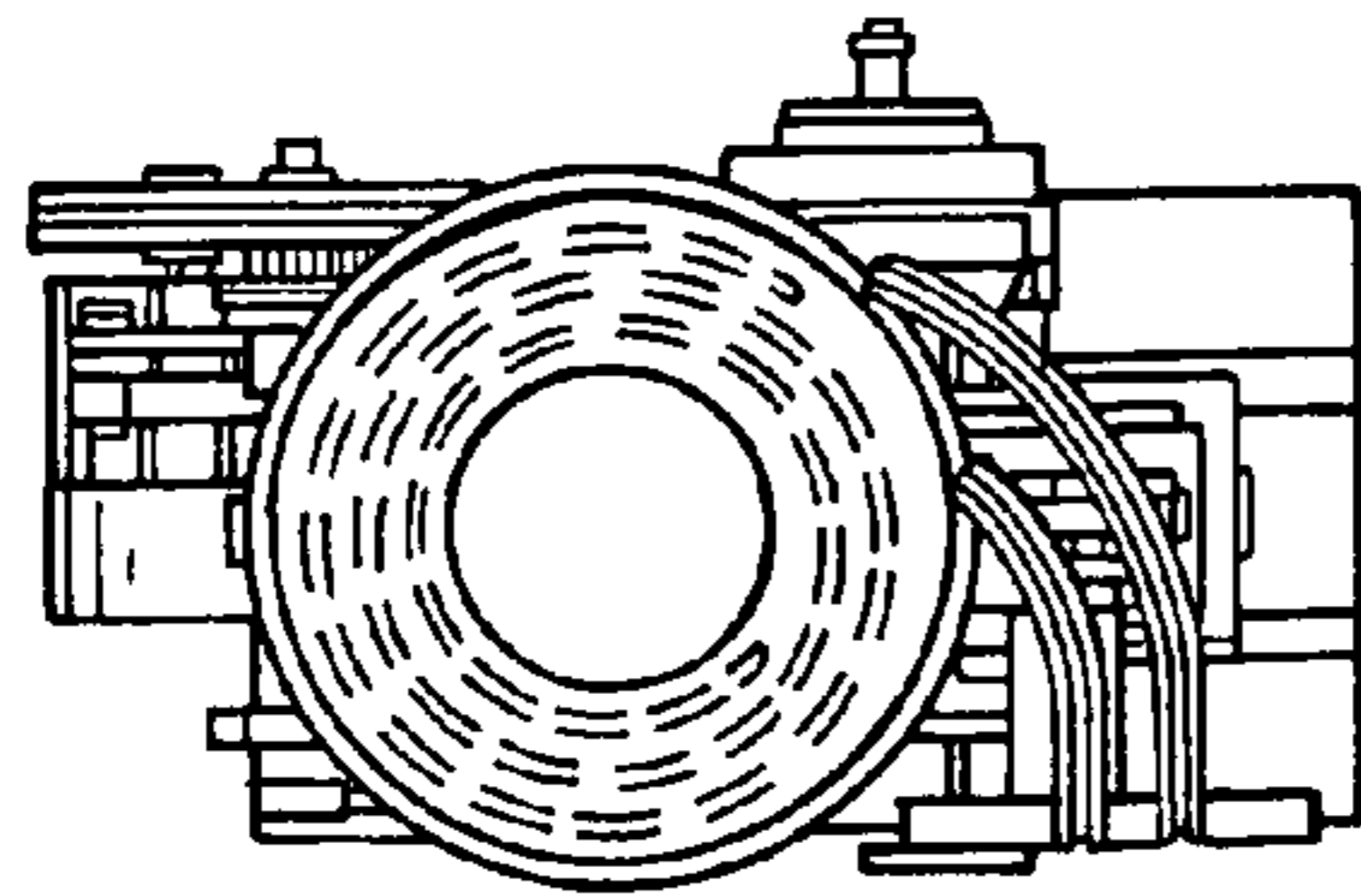


Fig. 6

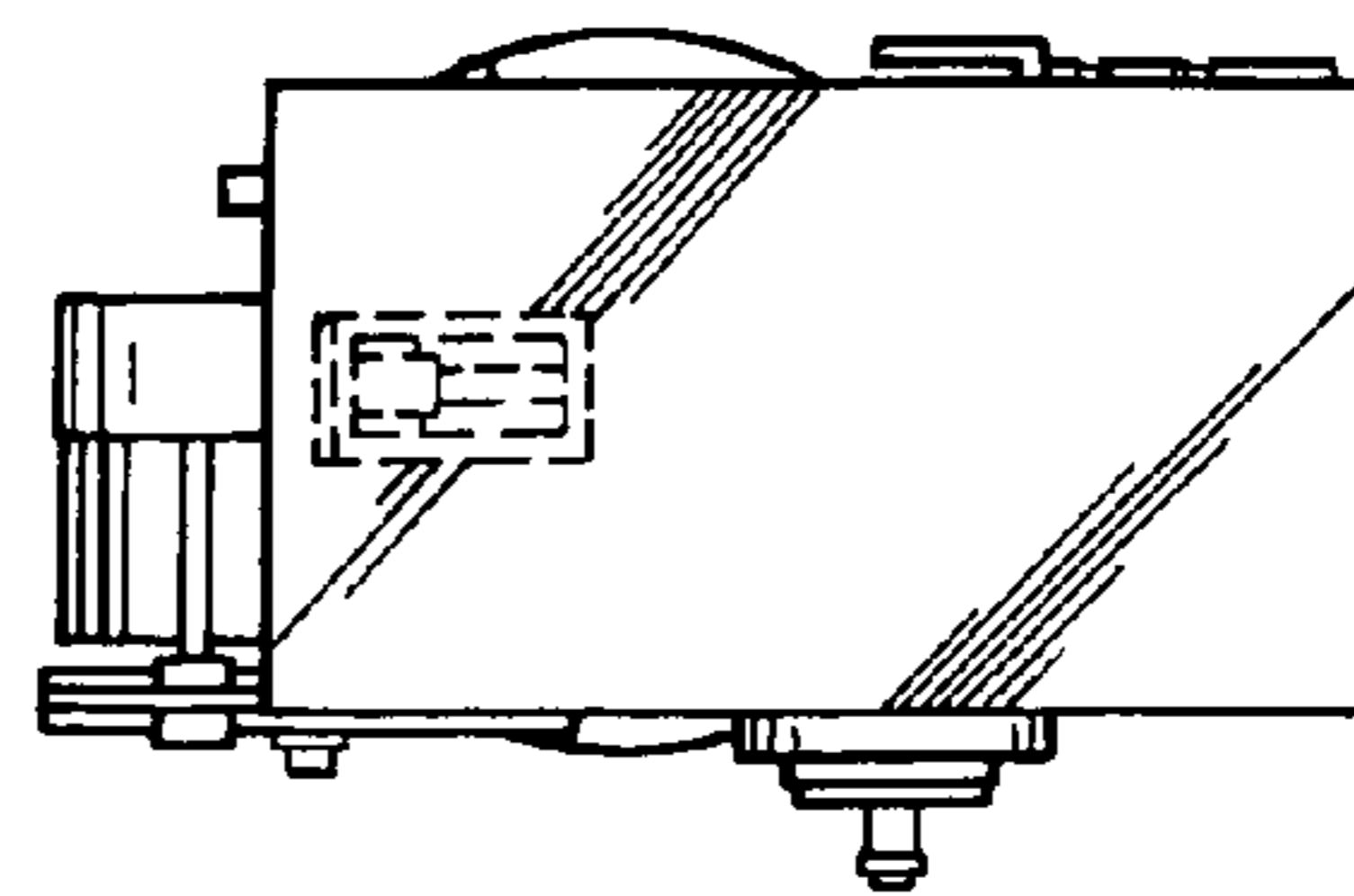


Fig. 7