



US00D599380S

(12) **United States Design Patent**
Moreira et al.

(10) **Patent No.:** **US D599,380 S**

(45) **Date of Patent:** **** Sep. 1, 2009**

(54) **COMPRESSOR**

(75) Inventors: **Emerson Moreira**, Joinville-SC (BR);
Fabian Fagotti, Joinville-SC (BR);
Gustavo Cardoso Weber, Joinville-SC
(BR); **Milton Wetzel Pereira**,
Joinville-SC (BR); **Ricardo Alexandre**
Maciel, Joinville-SC (BR)

(73) Assignee: **Whirlpool S.A.**, Sao Paulo (BR)

(**) Term: **14 Years**

(21) Appl. No.: **29/305,249**

(22) Filed: **Mar. 17, 2008**

(30) **Foreign Application Priority Data**

Sep. 21, 2007 (BR) DI 6704302-0

(51) **LOC (9) Cl.** **15-02**

(52) **U.S. Cl.** **D15/7**

(58) **Field of Classification Search** D15/7-9;
D23/231, 232; 417/410.1, 359, 415-416,
417/234, 321, 265, 405

See application file for complete search history.

(56) **References Cited**

U.S. PATENT DOCUMENTS

D339,143 S * 9/1993 Whitley, II D15/7

D401,943 S * 12/1998 Prosper et al. D15/7

D482,699 S * 11/2003 Graf et al. D15/7
D487,752 S * 3/2004 Tsai D15/7
D498,768 S * 11/2004 Romandy et al. D15/9
D507,579 S * 7/2005 Rossman et al. D15/7
D510,938 S * 10/2005 Thomas et al. D15/7

* cited by examiner

Primary Examiner—R. Seifert

(74) *Attorney, Agent, or Firm*—Darby & Darby PC

(57) **CLAIM**

The ornamental design for a compressor, as shown and described.

DESCRIPTION

FIG. 1 is a front- perspective view of a compressor showing my new design;

FIG. 2 is a rear perspective view;

FIG. 3 is a top plan view;

FIG. 4 is a right side elevational view;

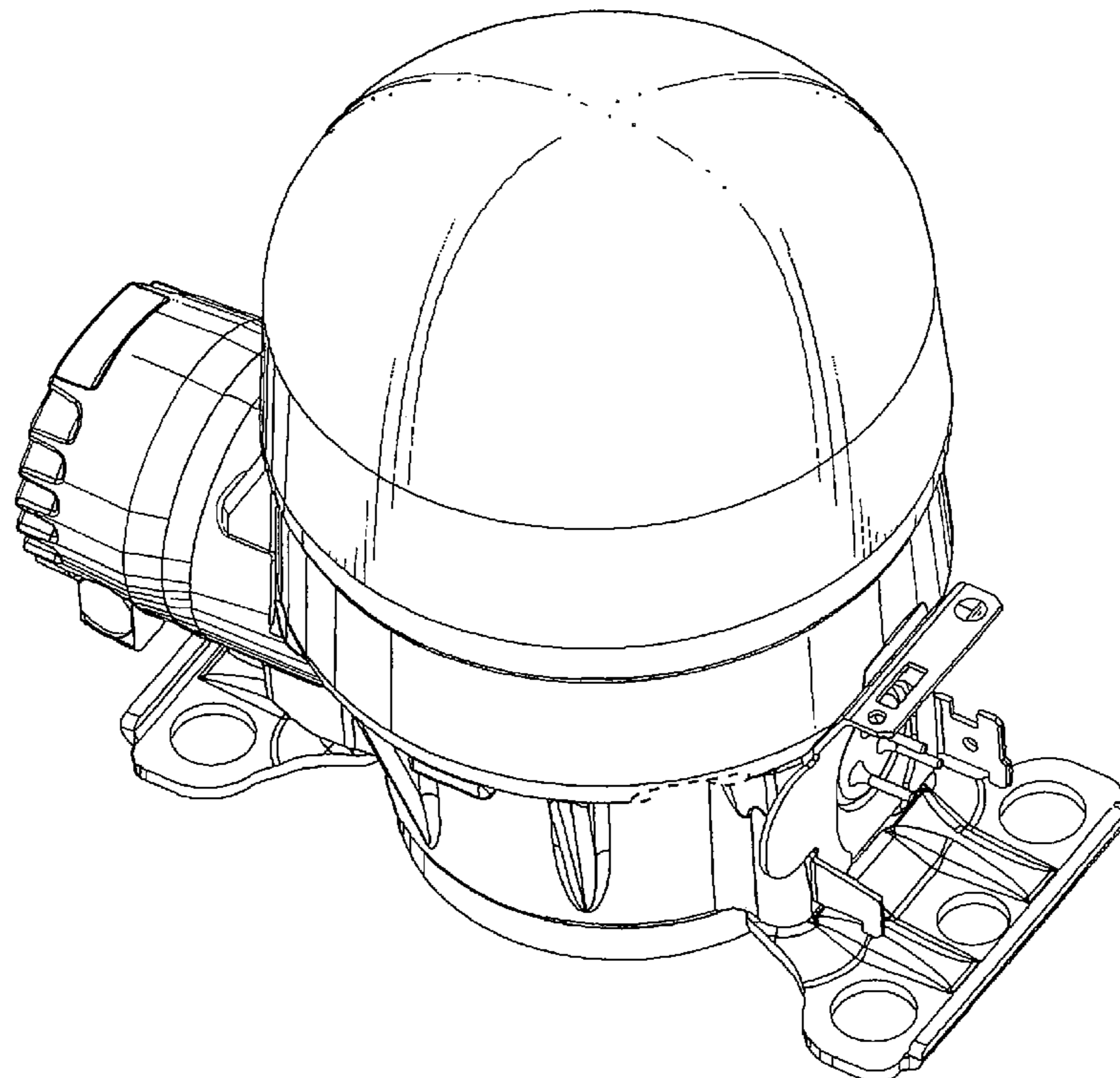
FIG. 5 is a rear elevational view;

FIG. 6 is a left side elevational view; and,

FIG. 7 is a front elevational view.

In each of FIGS. 4 through 7, the broken lines illustrating other portions of the earphone are for illustrative purposes only, and form no part of the claimed design.

1 Claim, 7 Drawing Sheets



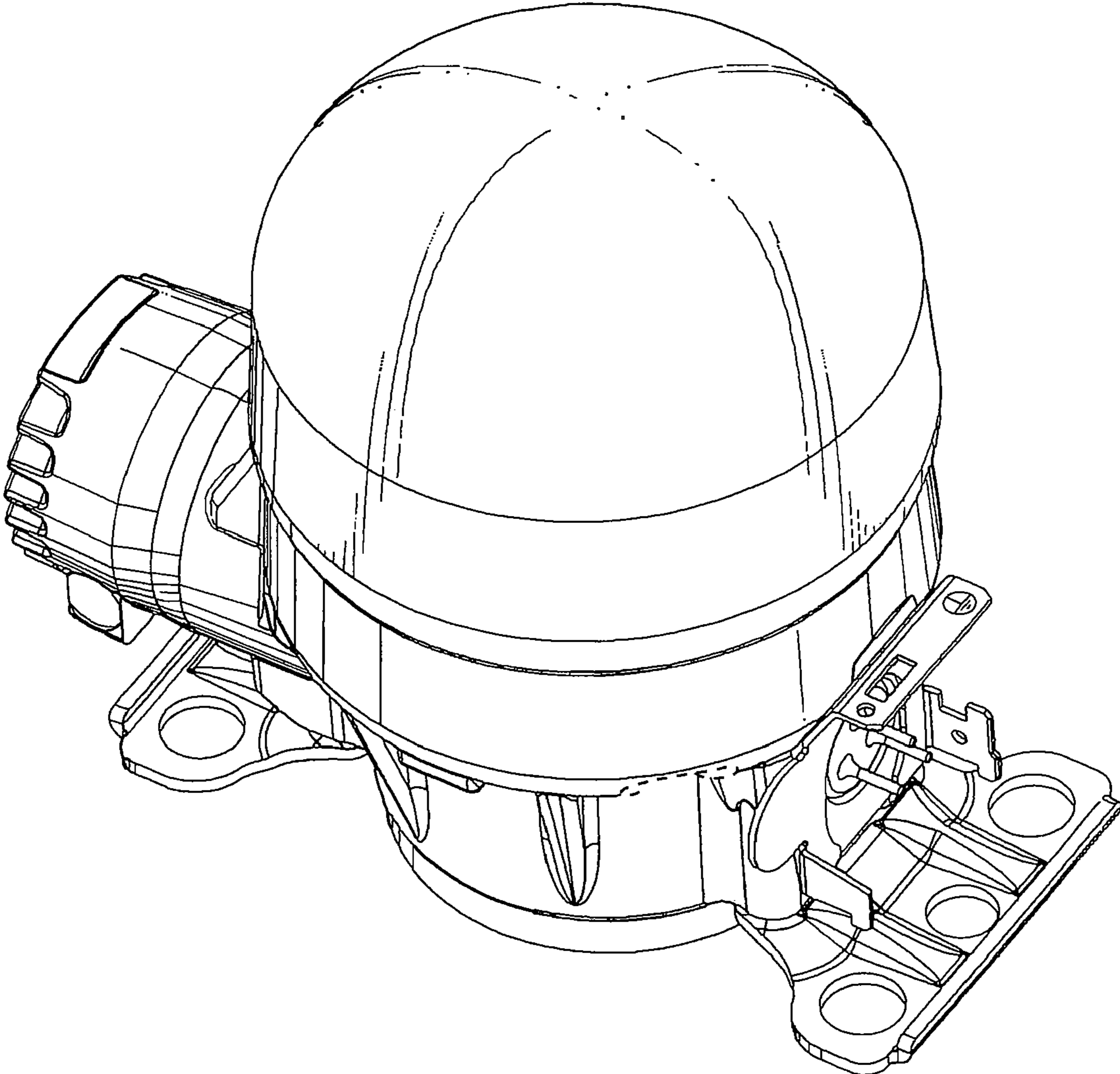


FIG. 1

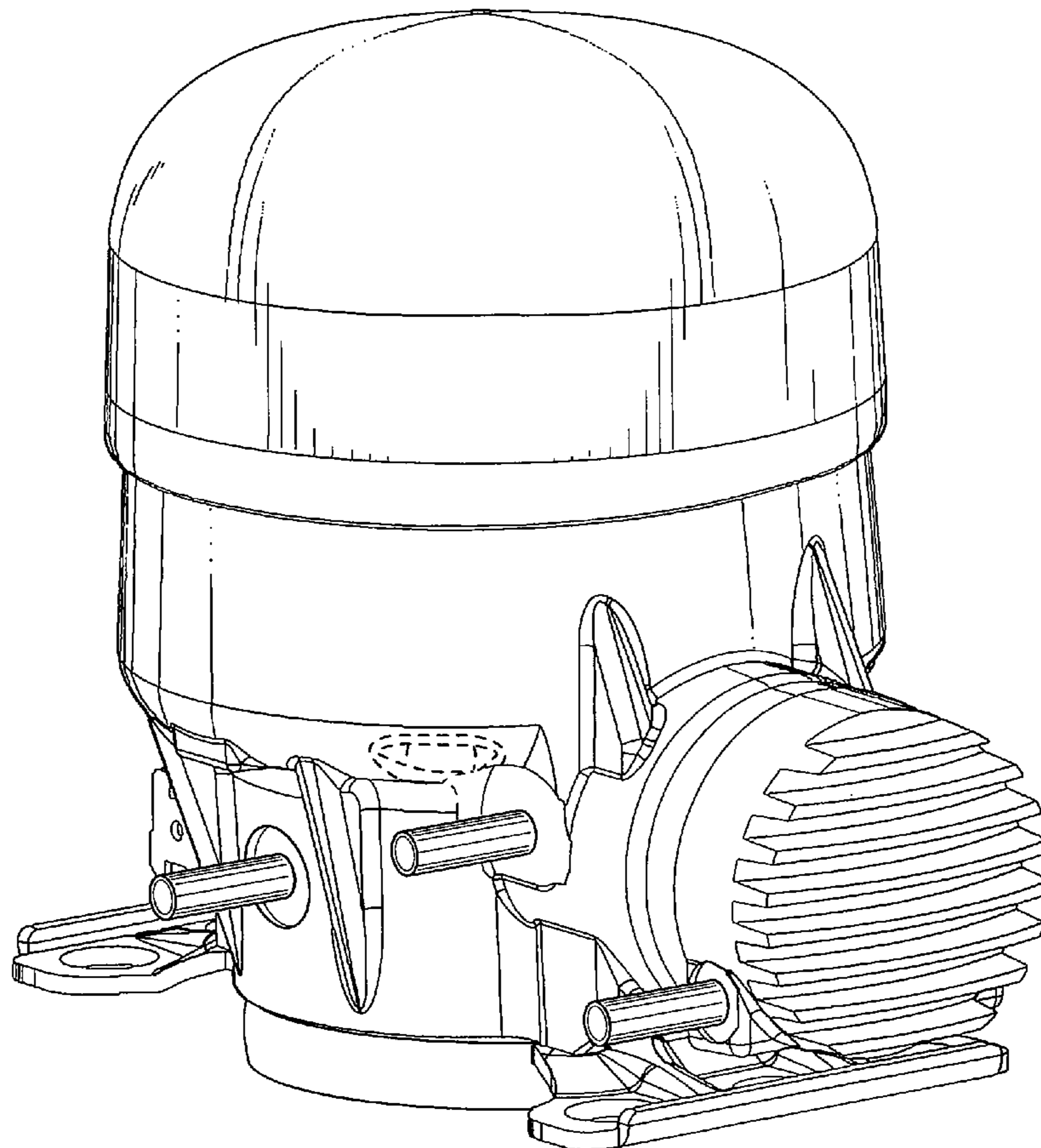


FIG. 2

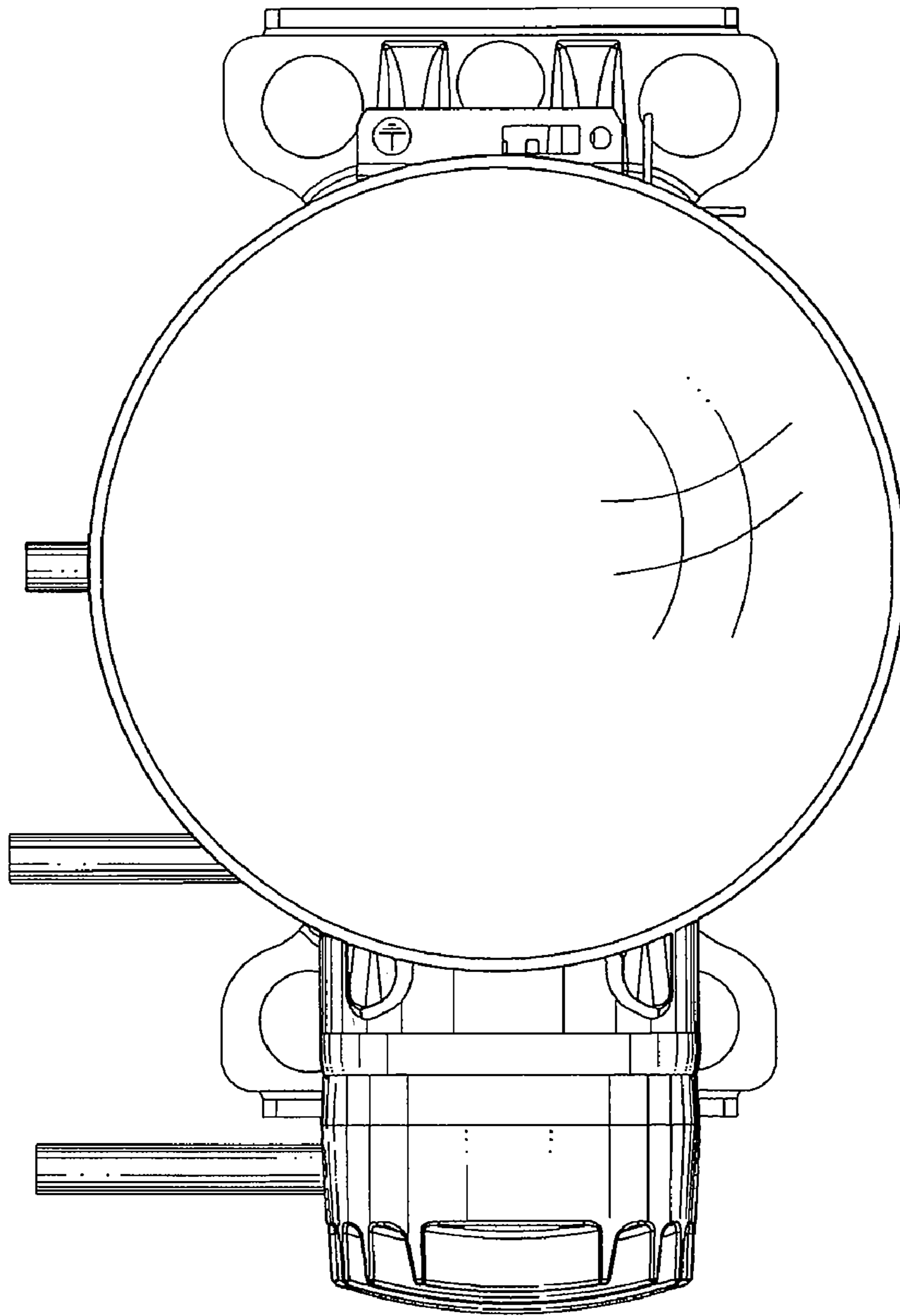


FIG. 3

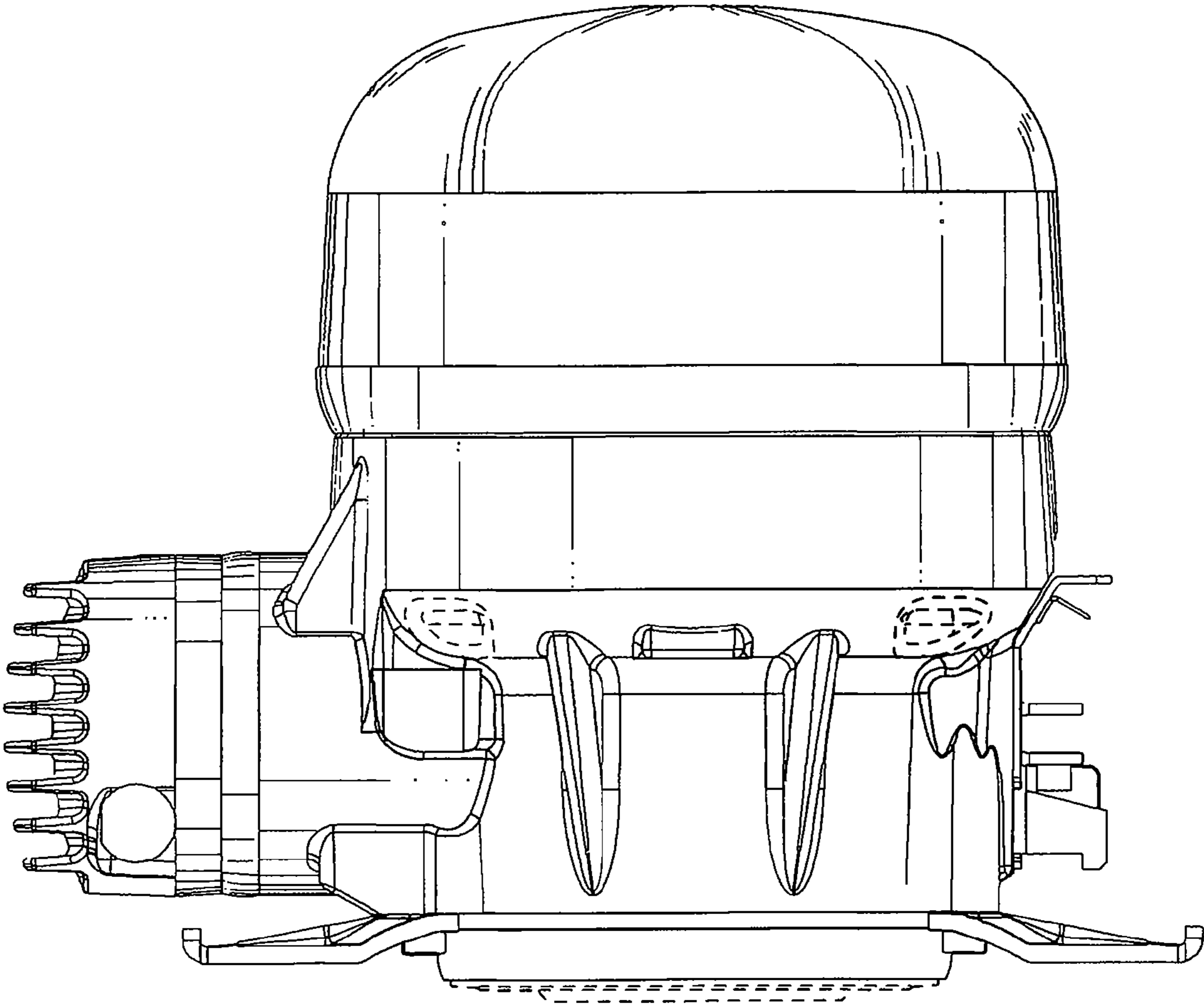


FIG. 4

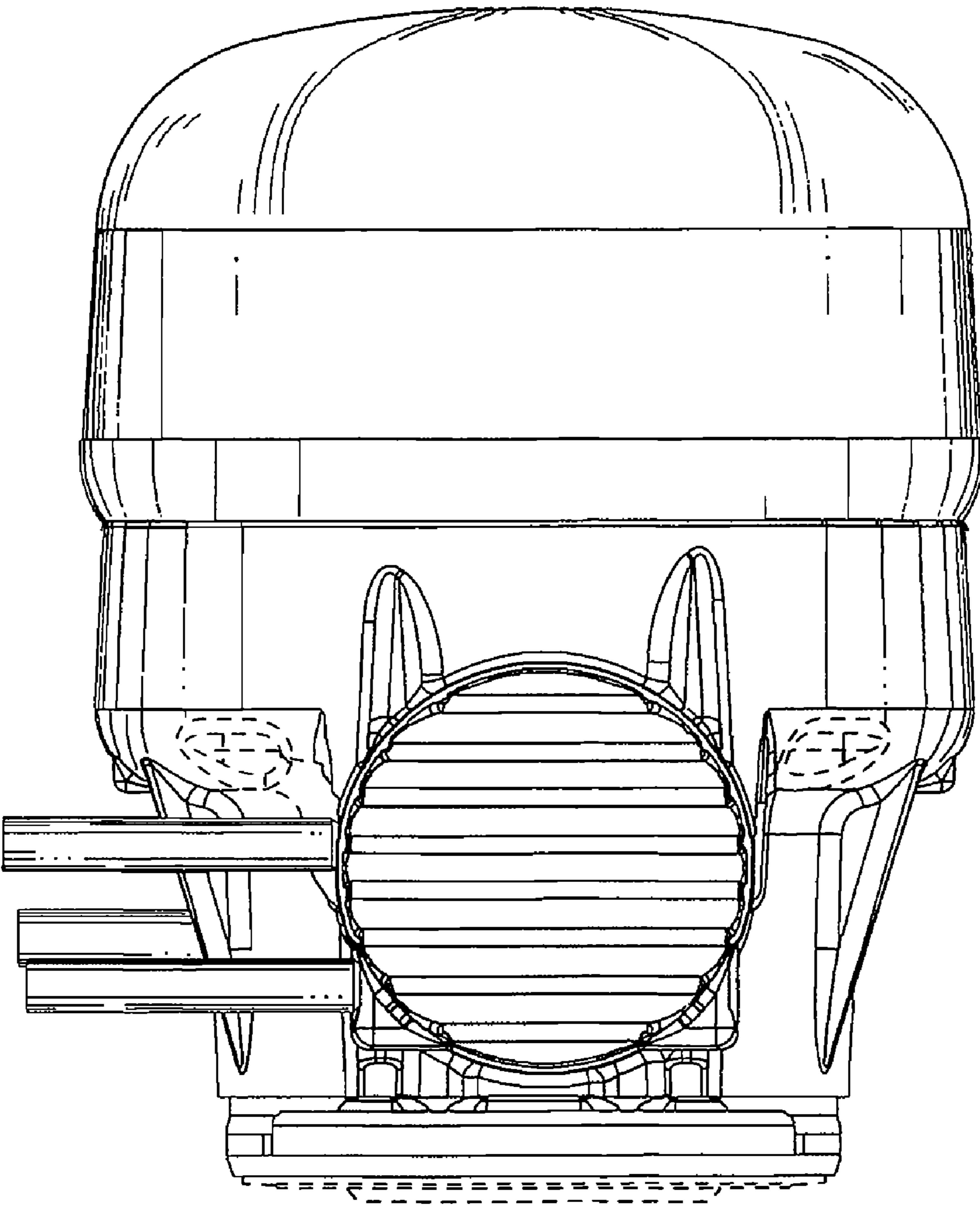


FIG. 5

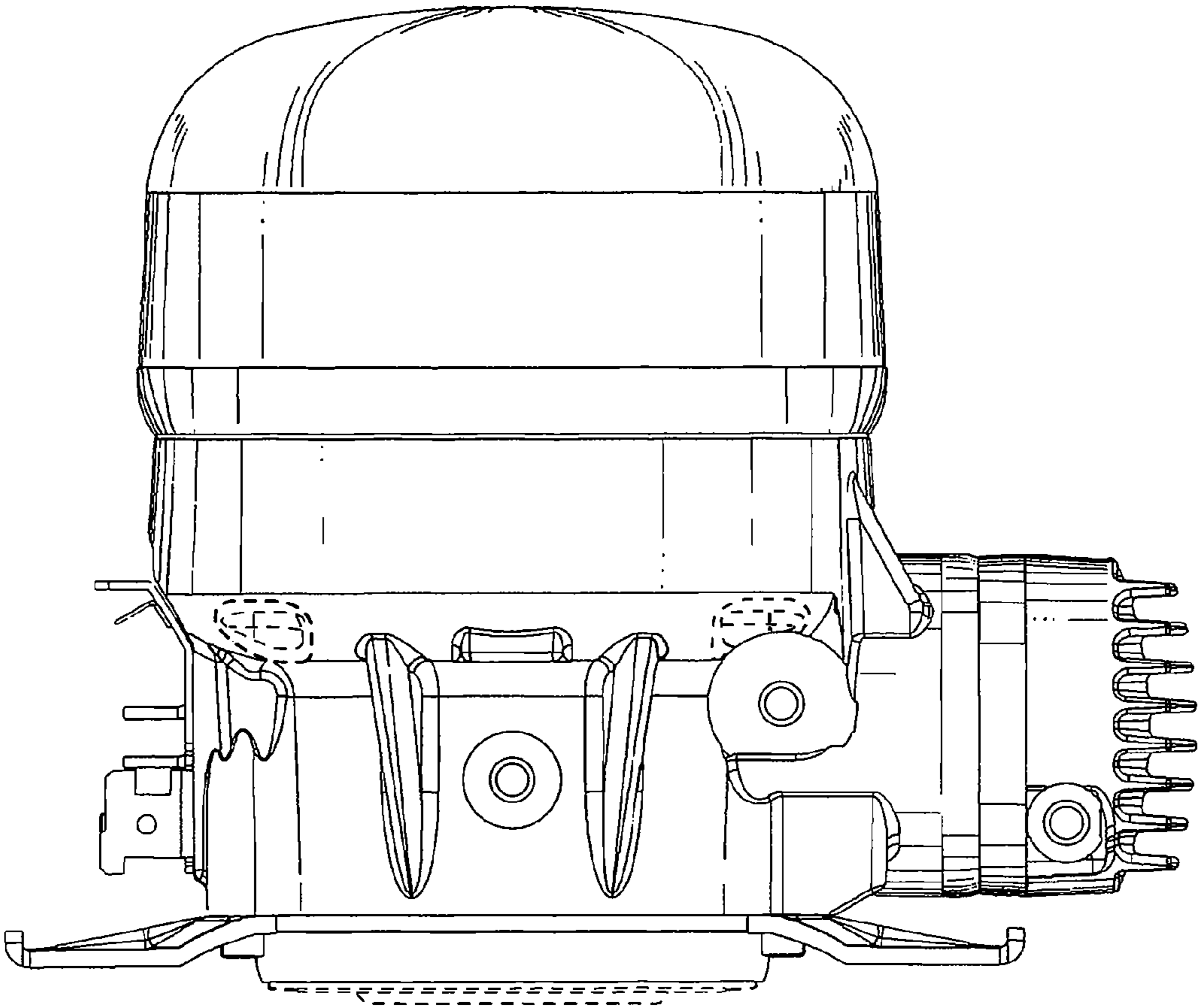


FIG. 6

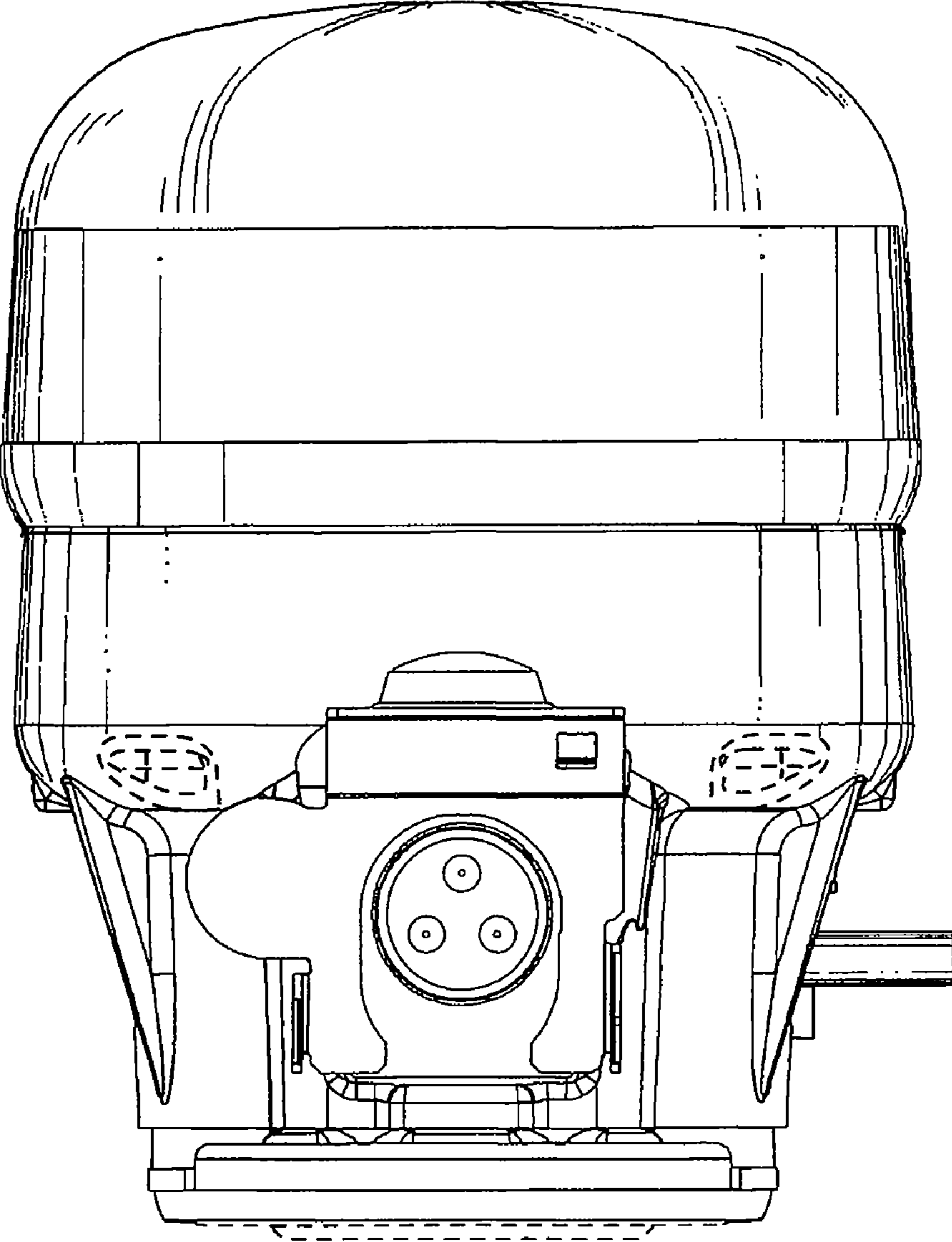


FIG. 7