

US00D599379S

(12) **United States Design Patent**  
**Ryu et al.**

(10) **Patent No.:** **US D599,379 S**  
(45) **Date of Patent:** **\*\* Sep. 1, 2009**

(54) **AUDIO**

(75) Inventors: **Dai Hyung Ryu**, Suwon-si (KR);  
**Kyoung Joung Kim**, Seoul (KR); **He**  
**Won Kihl**, Seoul (KR)

(73) Assignee: **LG Electronics Inc.**, Seoul (KR)

(\*\*) Term: **14 Years**

(21) Appl. No.: **29/324,027**

(22) Filed: **Sep. 4, 2008**

(30) **Foreign Application Priority Data**

Mar. 5, 2008 (KR) ..... 30-2008-0009451

(51) **LOC (9) Cl.** ..... **14-03**

(52) **U.S. Cl.** ..... **D14/496; D14/203.3**

(58) **Field of Classification Search** ..... D14/496,  
D14/401, 435, 474, 483, 217, 137, 138, 160,  
D14/168, 356, 203.1-203.8, 507; 345/156,  
345/169, 173-179, 905; 715/727-729, 864;  
710/1, 5, 8; 713/1, 600; 455/1.1, 1.7, 73,  
455/344-347, 93, 95, 3.01-3.06, 550.1, 573.1;  
370/342-344; 369/1, 2, 6-12; 463/43-47;  
273/148 B

See application file for complete search history.

(56) **References Cited**

**U.S. PATENT DOCUMENTS**

6,591,085 B1 \* 7/2003 Grady ..... 455/42  
6,896,547 B2 \* 5/2005 Caveney ..... 439/535  
D513,266 S \* 12/2005 Shimizu ..... D14/203.3  
D550,707 S \* 9/2007 Ichimura ..... D14/496

7,283,880 B2 \* 10/2007 Dick ..... 700/94  
D567,818 S \* 4/2008 Zhang ..... D14/496  
D574,851 S \* 8/2008 Chen ..... D14/496  
D576,637 S \* 9/2008 Gofman et al. .... D14/496  
D578,546 S \* 10/2008 Fullerton ..... D14/496  
D579,953 S \* 11/2008 Chen ..... D14/496  
D579,954 S \* 11/2008 Gofman et al. .... D14/496  
D582,394 S \* 12/2008 Hong et al. .... D14/216  
D585,078 S \* 1/2009 Walton ..... D14/496

\* cited by examiner

*Primary Examiner*—Prabhakar Deshmukh

(74) *Attorney, Agent, or Firm*—Birch, Stewart, Kolasch &  
Birch, LLP

(57) **CLAIM**

The ornamental design for an audio, as shown and described.

**DESCRIPTION**

FIG. 1 is a top, front perspective view of an Audio showing our new design;

FIG. 2 is a front view thereof;

FIG. 3 is a rear view thereof;

FIG. 4 is a left side view thereof;

FIG. 5 is a right side view thereof;

FIG. 6 is a top plan view thereof;

FIG. 7 is a bottom plan view thereof; and,

FIG. 8 is a perspective view thereof, with the article shown in its environmental use.

The broken lines are for illustrative purpose only and form no part of the claimed design.

**1 Claim, 4 Drawing Sheets**

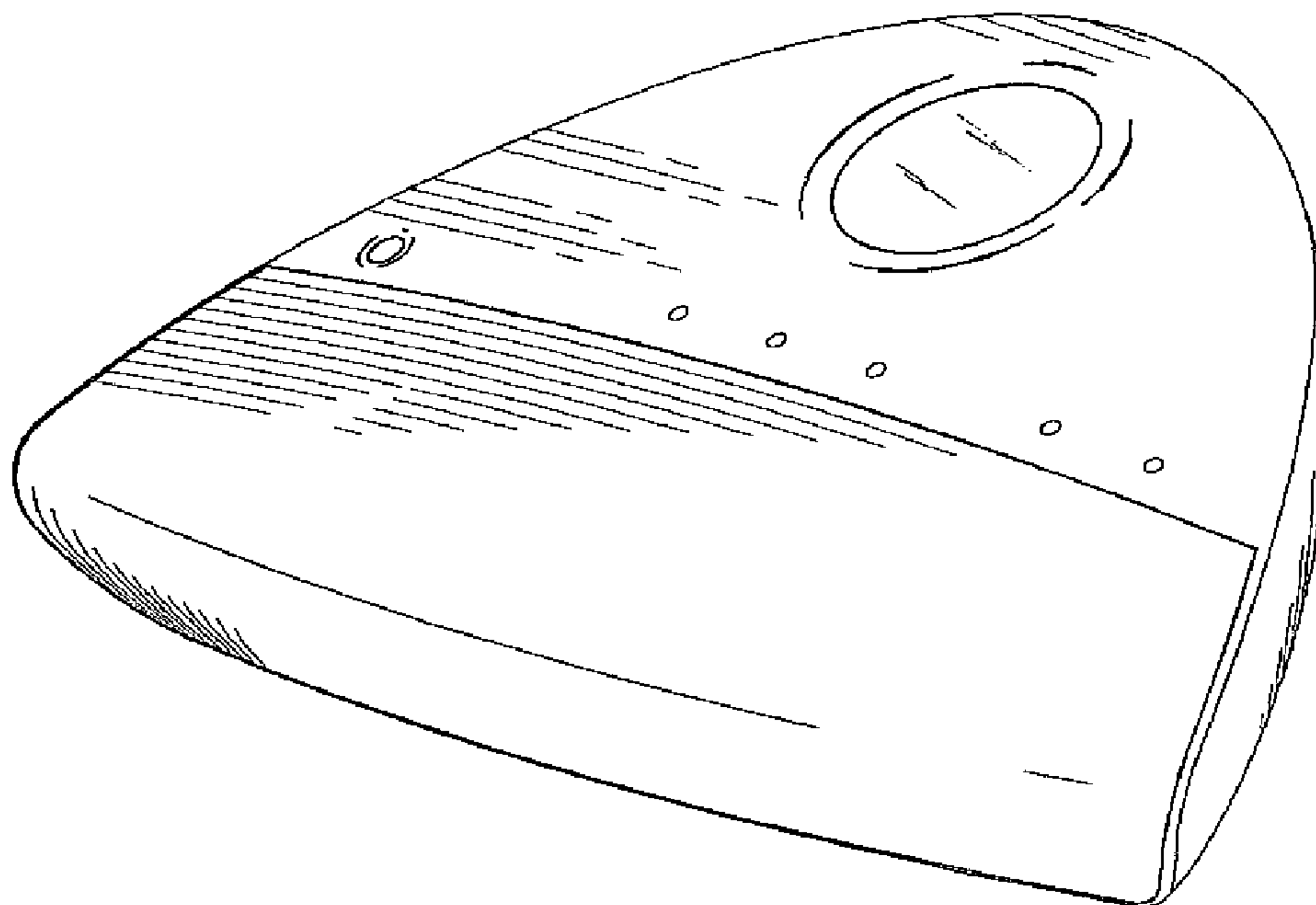


FIG. 1

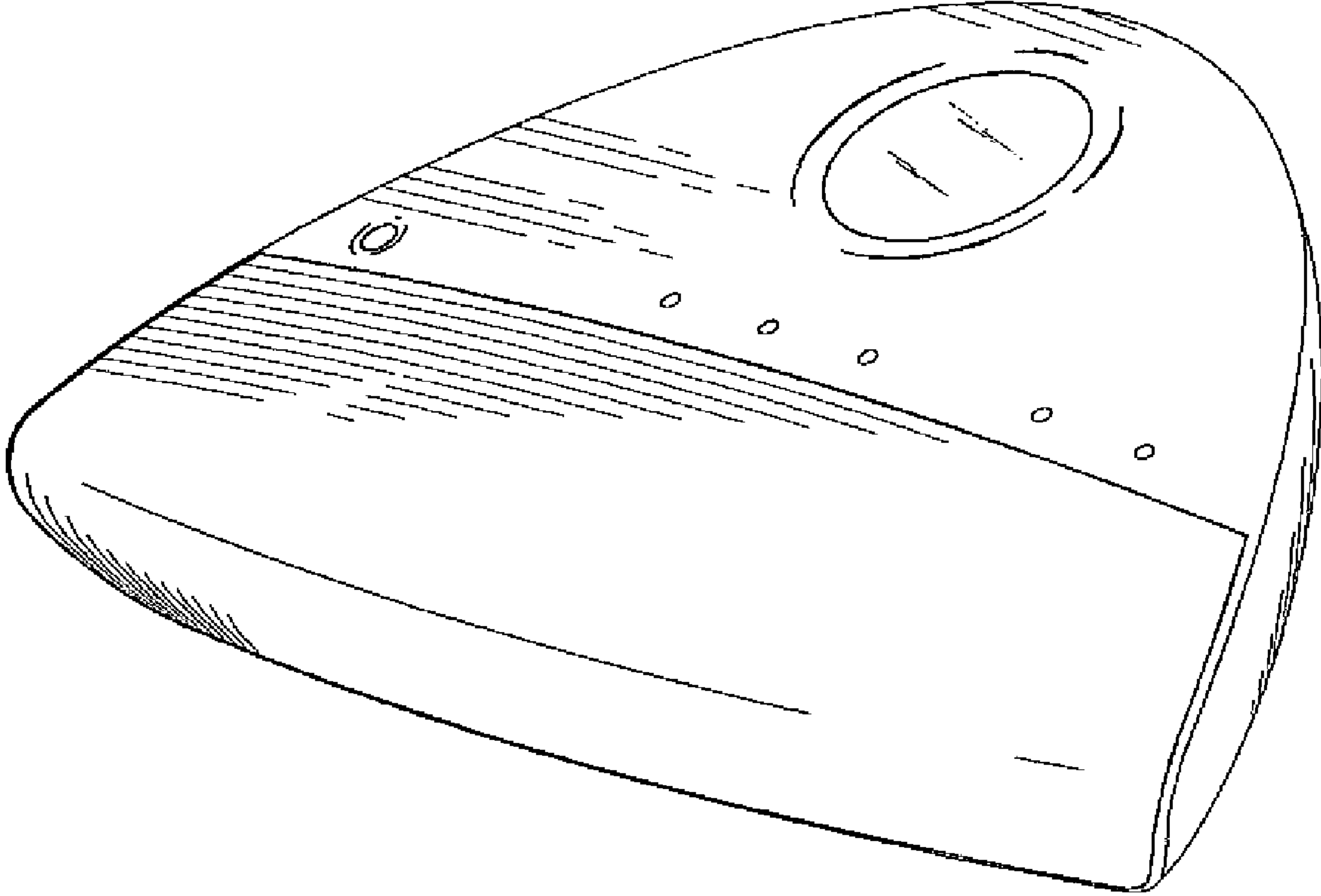


FIG. 2

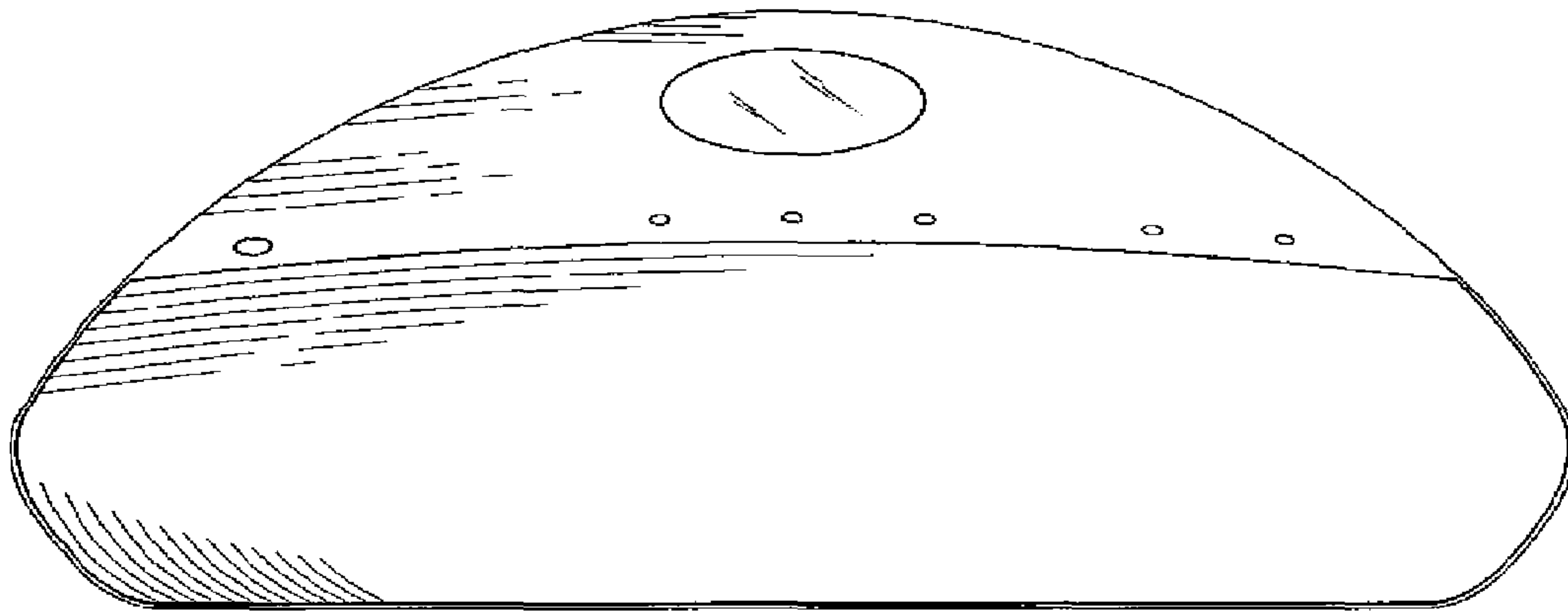


FIG. 3

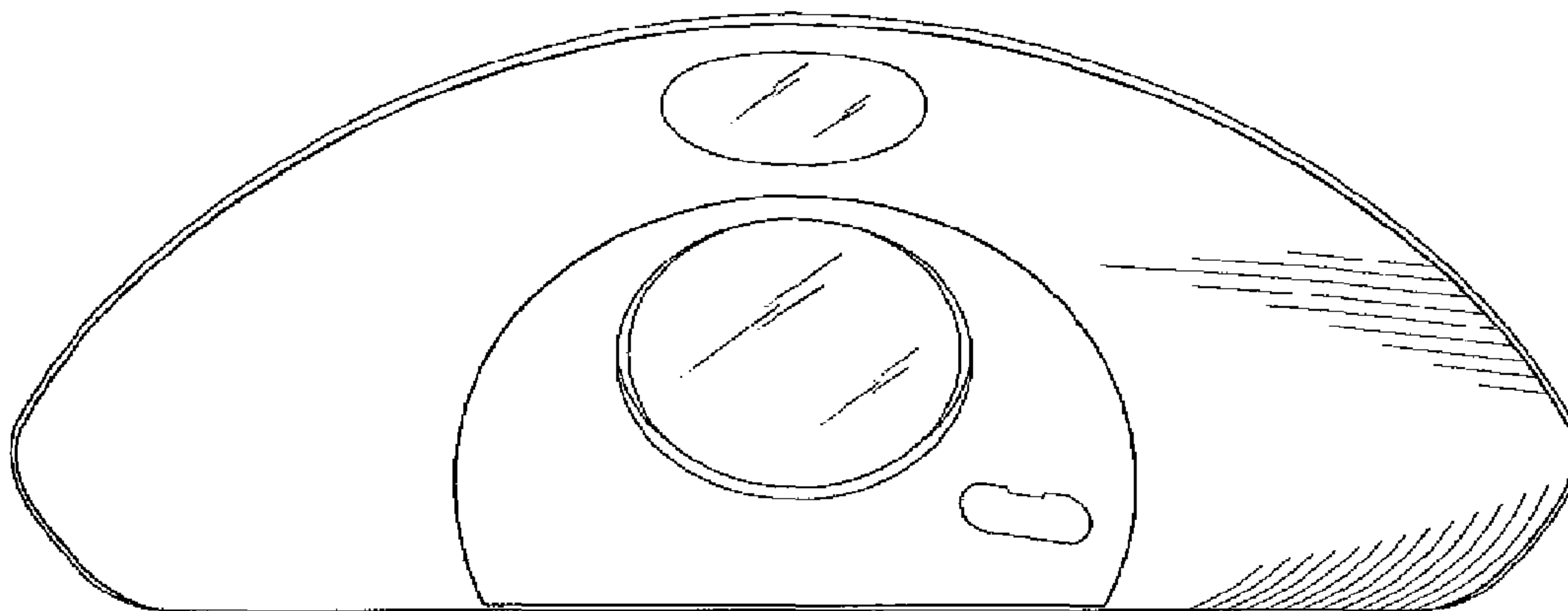


FIG. 4

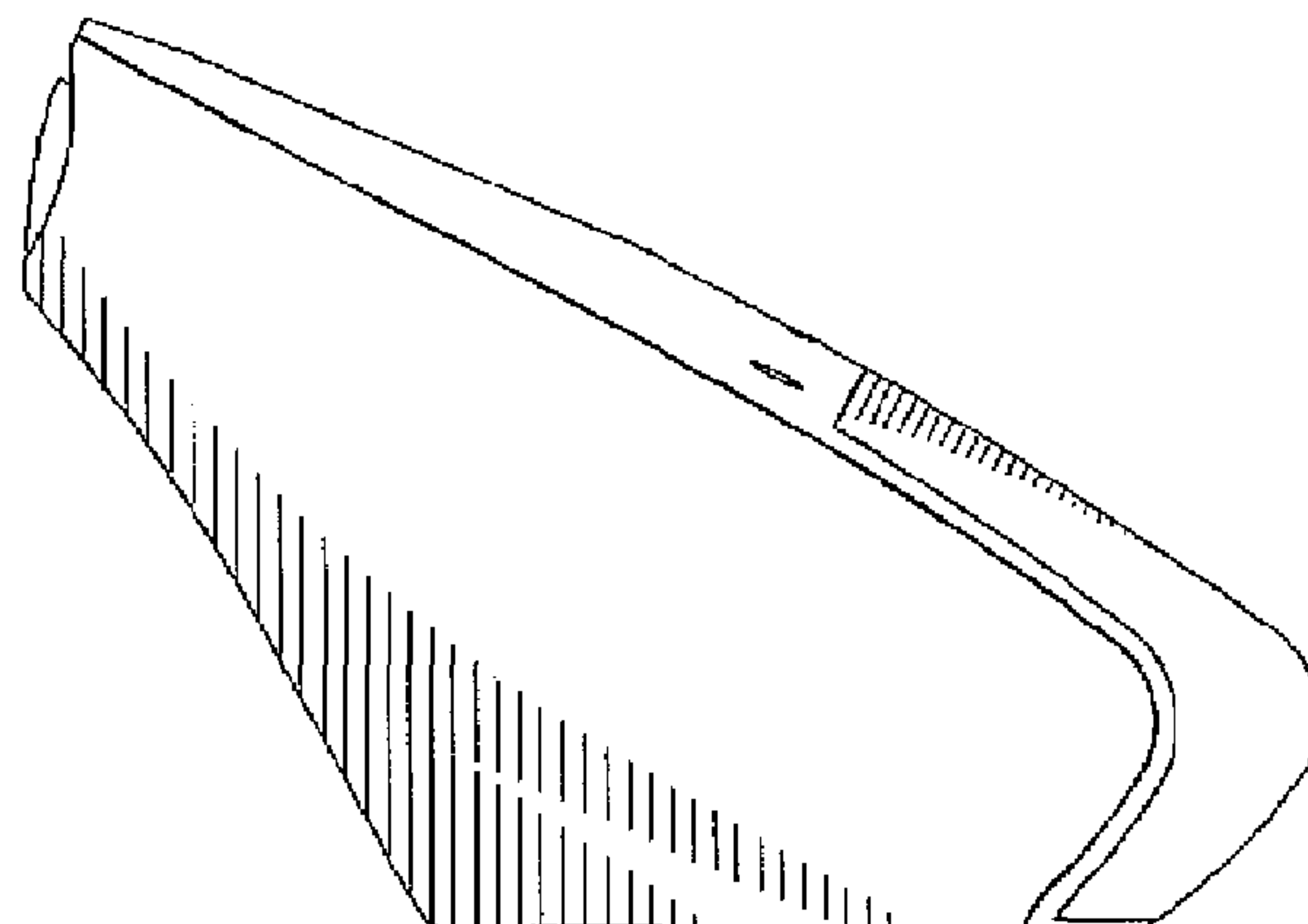


FIG. 5

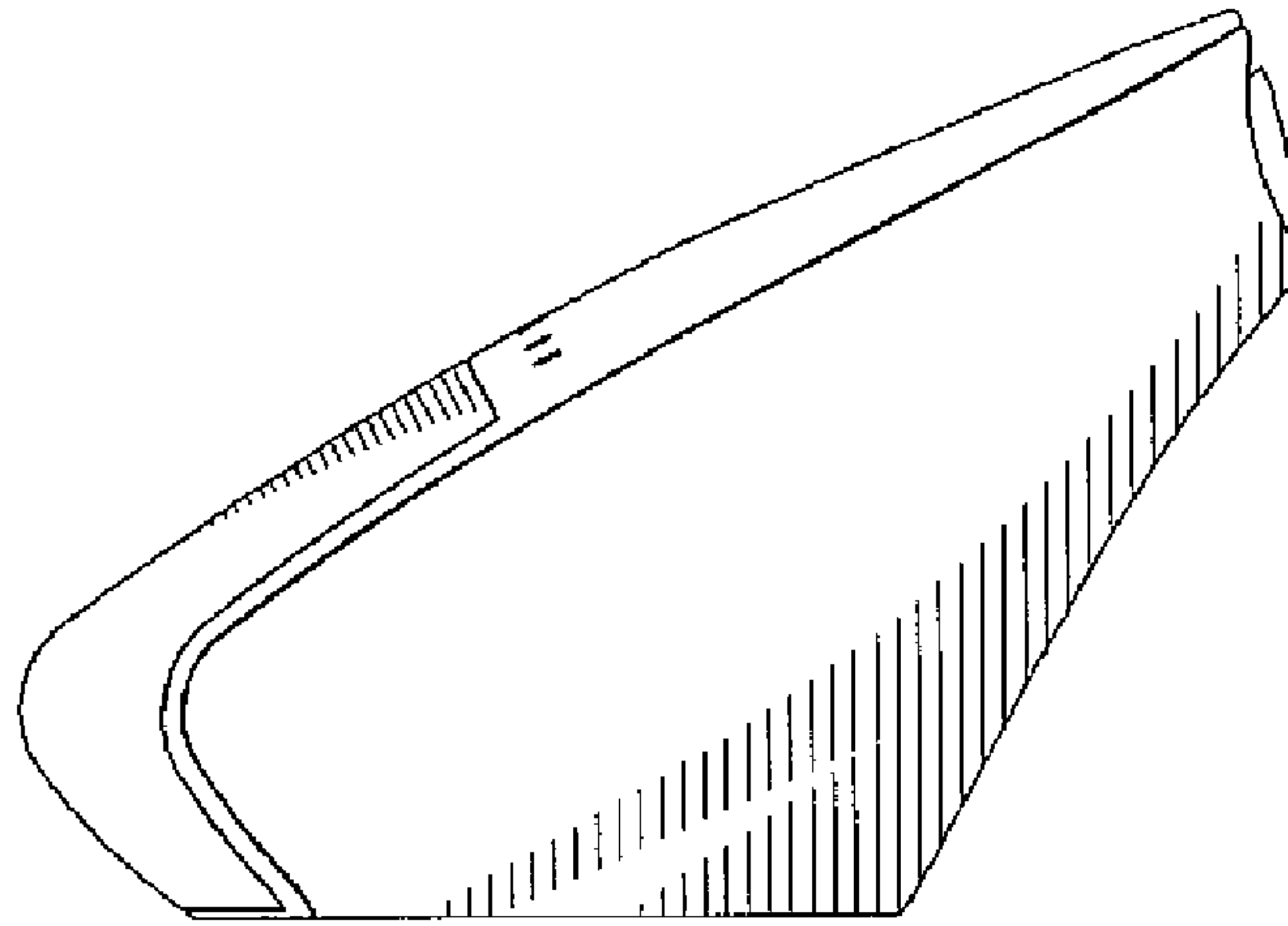


FIG. 6

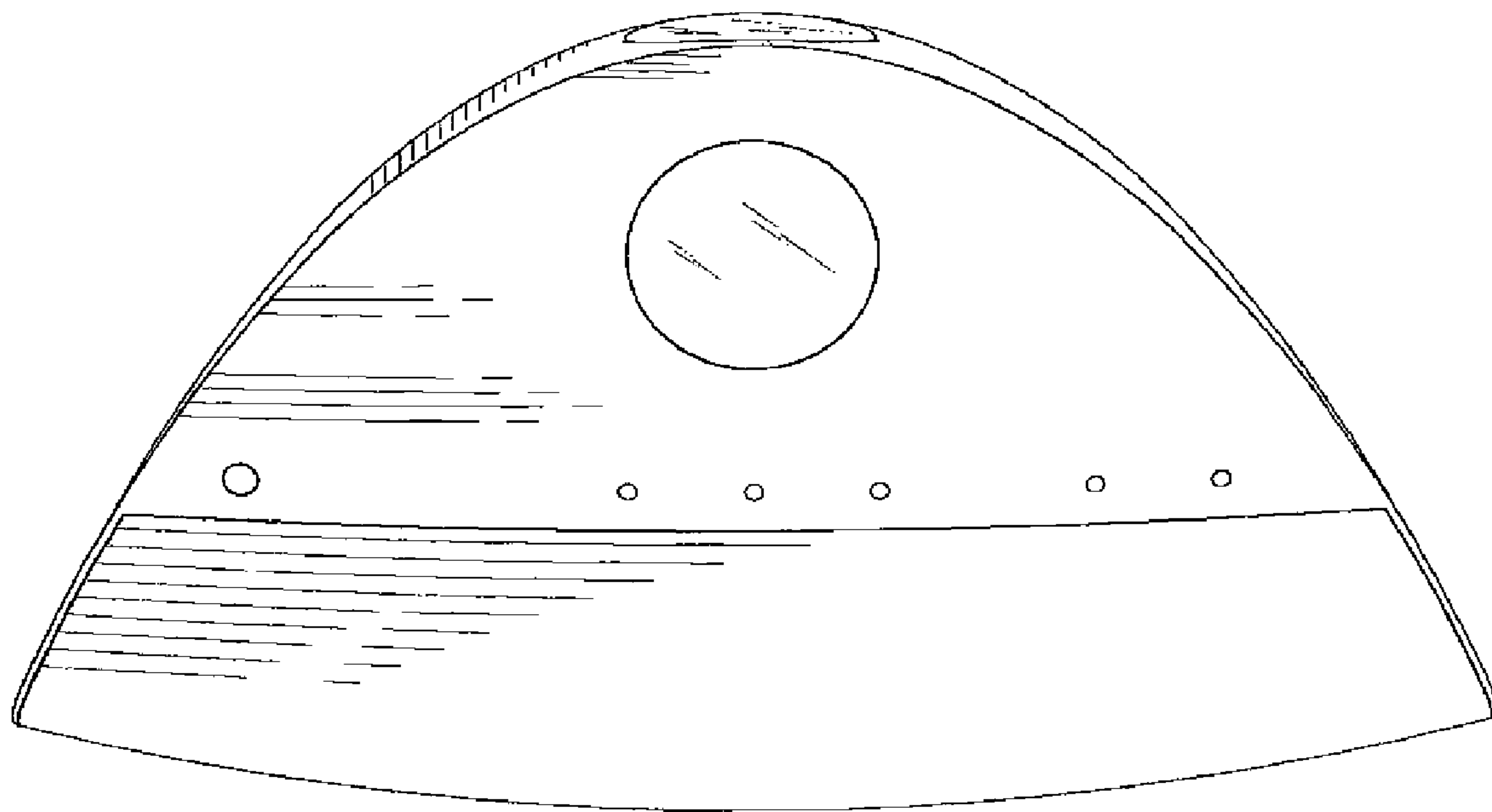


FIG. 7

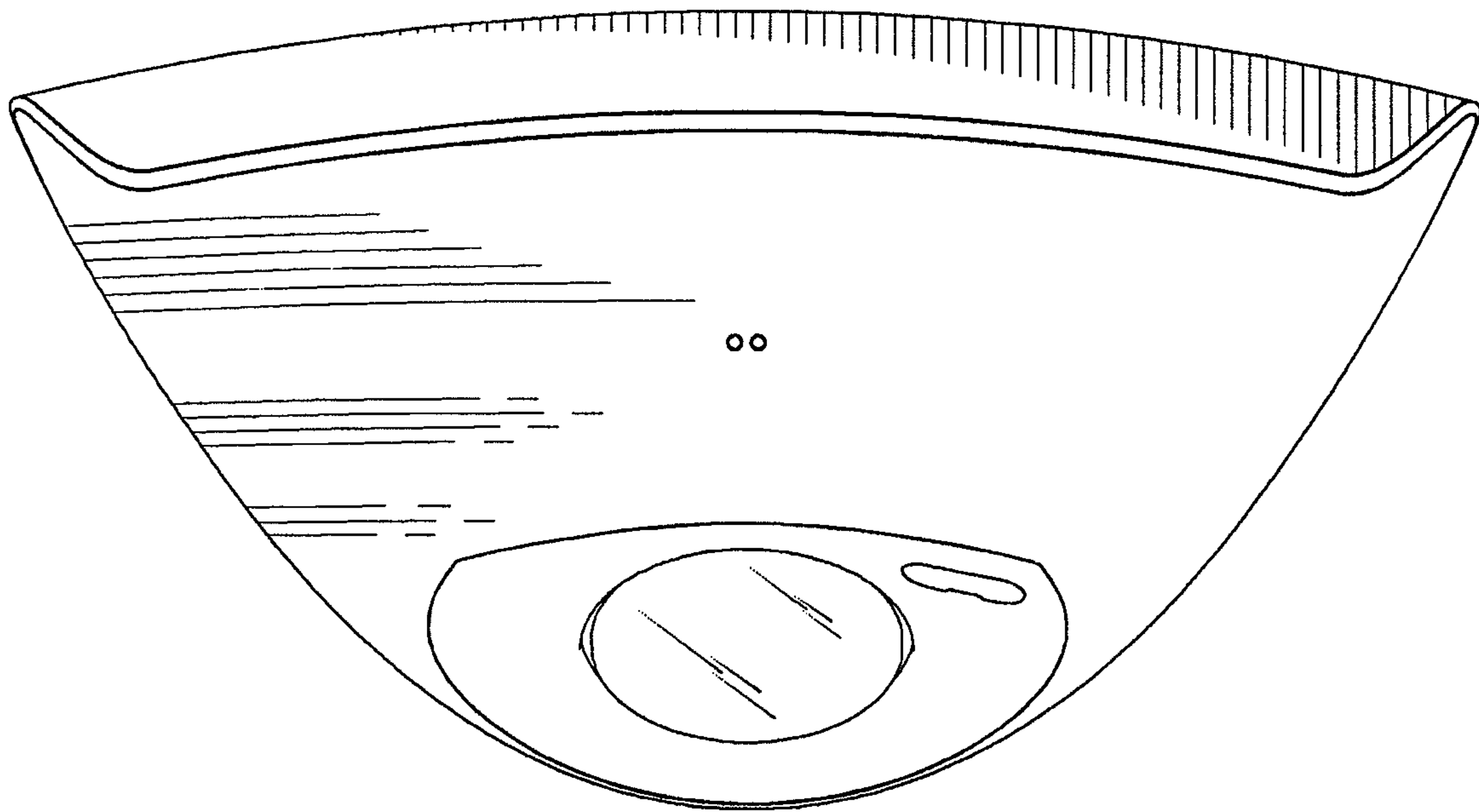


FIG. 8

