



US00D599355S

(12) **United States Design Patent**
Richter

(10) **Patent No.:** **US D599,355 S**
(45) **Date of Patent:** **** Sep. 1, 2009**

(54) **APPARATUS SUPPORT DEVICE HOLDER**

(76) Inventor: **Harald Richter**, Höhenstrasse 32, 76331 Engelbrand (DE)

(**) Term: **14 Years**

(21) Appl. No.: **29/313,533**

(22) Filed: **Jan. 20, 2009**

(51) **LOC (9) Cl.** **08-07**

(52) **U.S. Cl.** **D14/447; D14/253**

(58) **Field of Classification Search** D14/447, D14/448, 451, 452, 457, 459, 460, 461, 239, D14/251, 253, 224.1, 125, 126, 432, 434, D14/439, 371-382; D8/354, 363, 373, 380; D19/90, 91; D18/4.4, 4.5, 4.6, 12; D6/300, D6/310, 312, 313, 314, 449, 512; D13/139.5, D13/108; D21/333; D10/74; D12/415; 248/917-924, 675, 676, 678, 447, 122.1, 248/176.1, 176.3, 205.5, 205.8, 324; 312/323.3; 379/446, 454, 455; 361/679.02, 679.06, 361/679.07, 679.21, 679.22, 679.24, 679.26, 361/679.3, 679.46, 679.49, 679.55, 679.56, 361/679.58, 679.6, 693, 697, 809, 810, 825, 361/827; D16/242

See application file for complete search history.

(56) **References Cited**

U.S. PATENT DOCUMENTS

D337,333 S * 7/1993 Turk D14/251
D487,270 S * 3/2004 Richter D14/447
6,913,232 B2 * 7/2005 Richter 248/205.8
D521,850 S * 5/2006 Richter et al. D8/354
D545,825 S * 7/2007 Richter D14/447
D545,826 S * 7/2007 Richter D14/447
D567,810 S * 4/2008 Yeh D14/253
D576,631 S * 9/2008 Richter D14/447
7,441,734 B2 * 10/2008 Liou 248/205.5

D580,847 S * 11/2008 Mo D12/415
D587,188 S * 2/2009 Mo D12/415
D588,903 S * 3/2009 Carnevali D8/355
D590,238 S * 4/2009 Richter D8/363

* cited by examiner

Primary Examiner—Jennifer Rivard

Assistant Examiner—Angela J Lee

(74) *Attorney, Agent, or Firm*—Klaus J. Bach

(57) **CLAIM**

The ornamental design for an apparatus support device holder, as shown and described.

DESCRIPTION

The apparatus support device holder is used for supporting an apparatus support device specifically adapted to cradling a particular apparatus such as a wireless phone, GPS, a PDA device, a telephone or other equipment in a convenient position on a smooth surface such as a windshield of a motor vehicle.

FIG. 1 is a perspective left side front view of an apparatus support device holder,

FIG. 2 is a perspective right side front view of the apparatus support device holder shown in FIG. 1,

FIG. 3 is a left side view of the apparatus support device holder shown in FIG. 1,

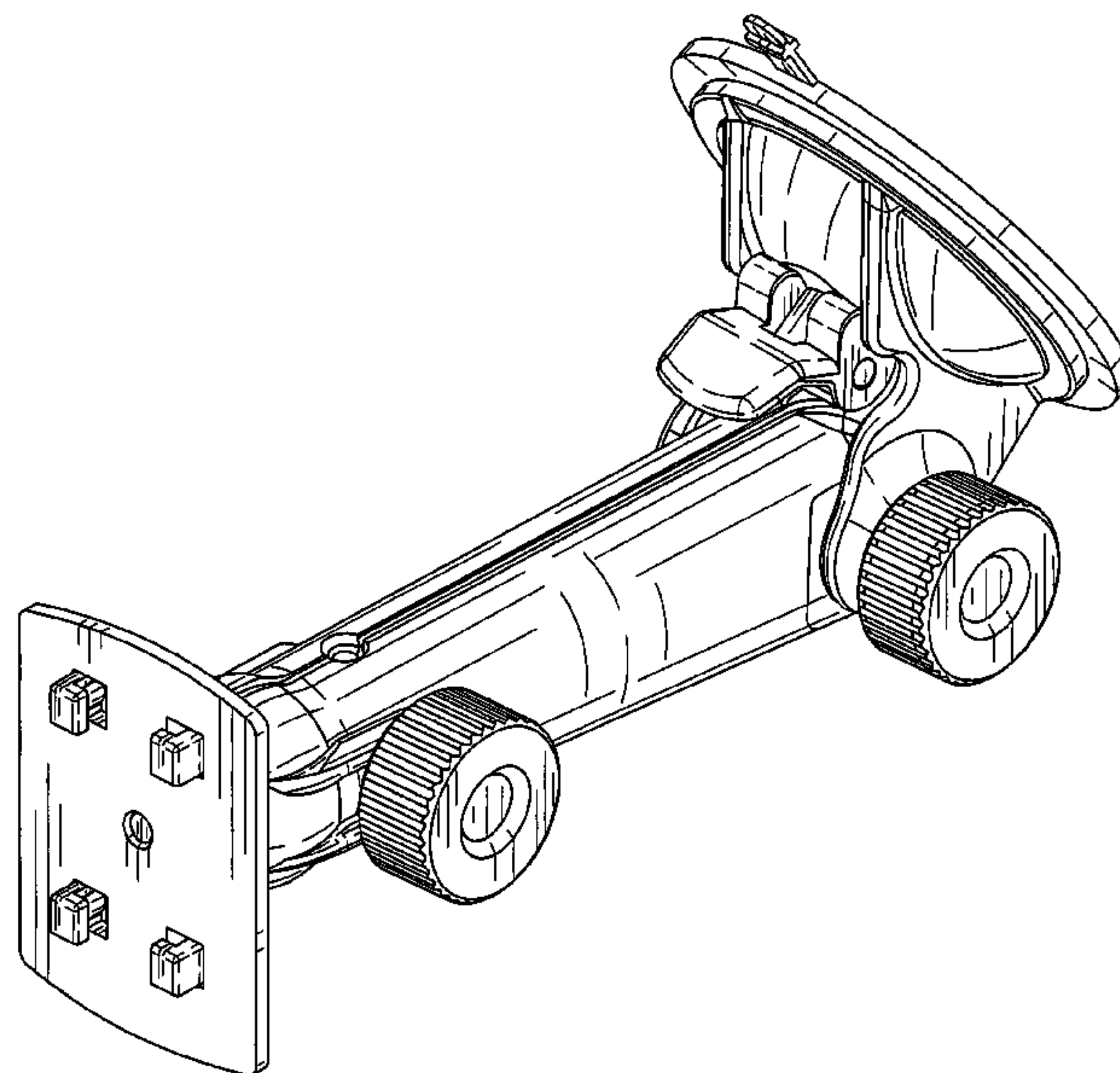
FIG. 4 is a right side view of the apparatus support device holder shown in FIG. 1,

FIG. 5 is an end view of the apparatus support device holder shown in FIG. 1,

FIG. 6 is an another end view of the apparatus support device holder shown in FIG. 1; and,

FIG. 7 is a bottom view of the apparatus support device holder as shown in FIG. 4.

1 Claim, 6 Drawing Sheets



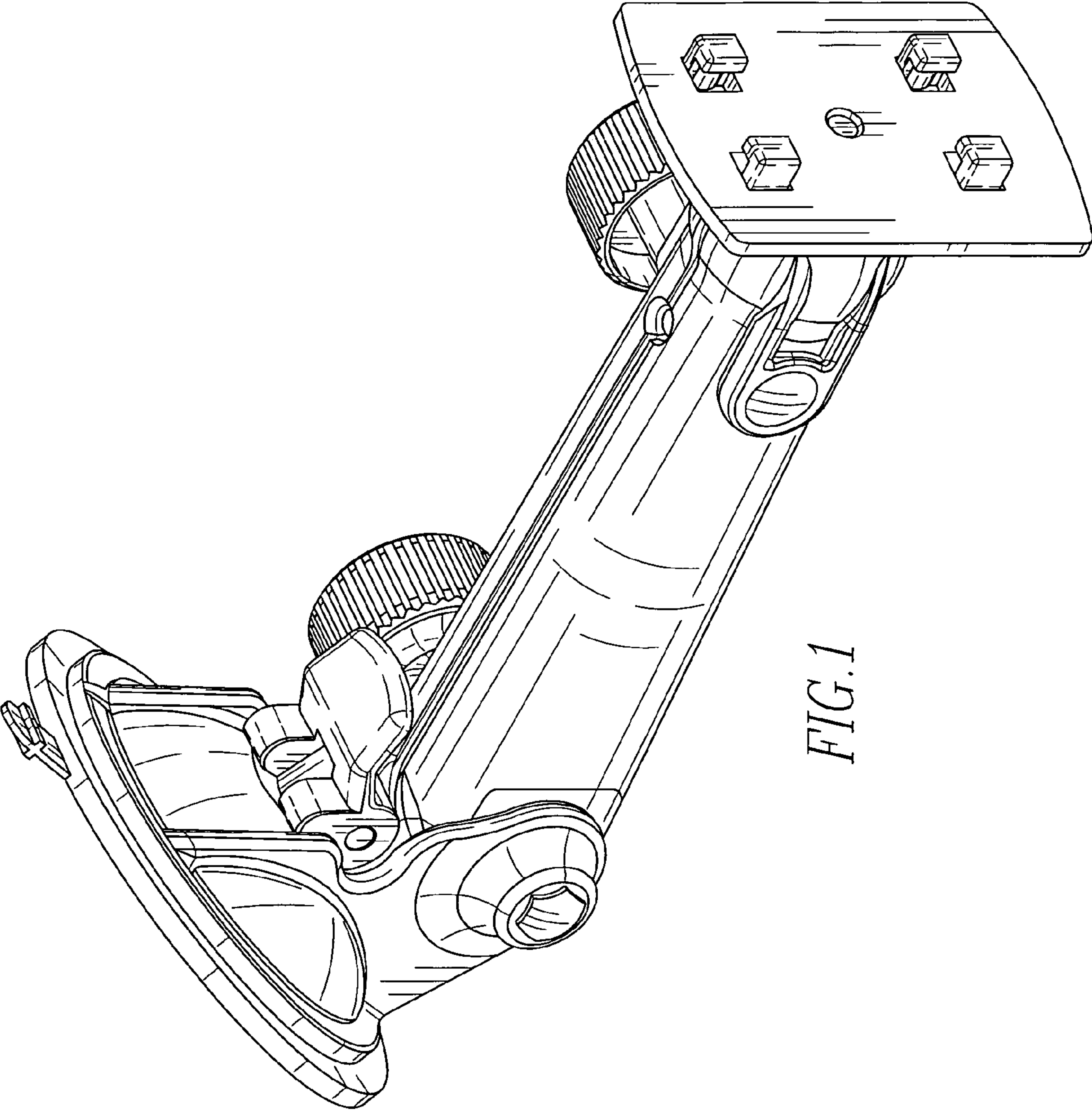


FIG. 1

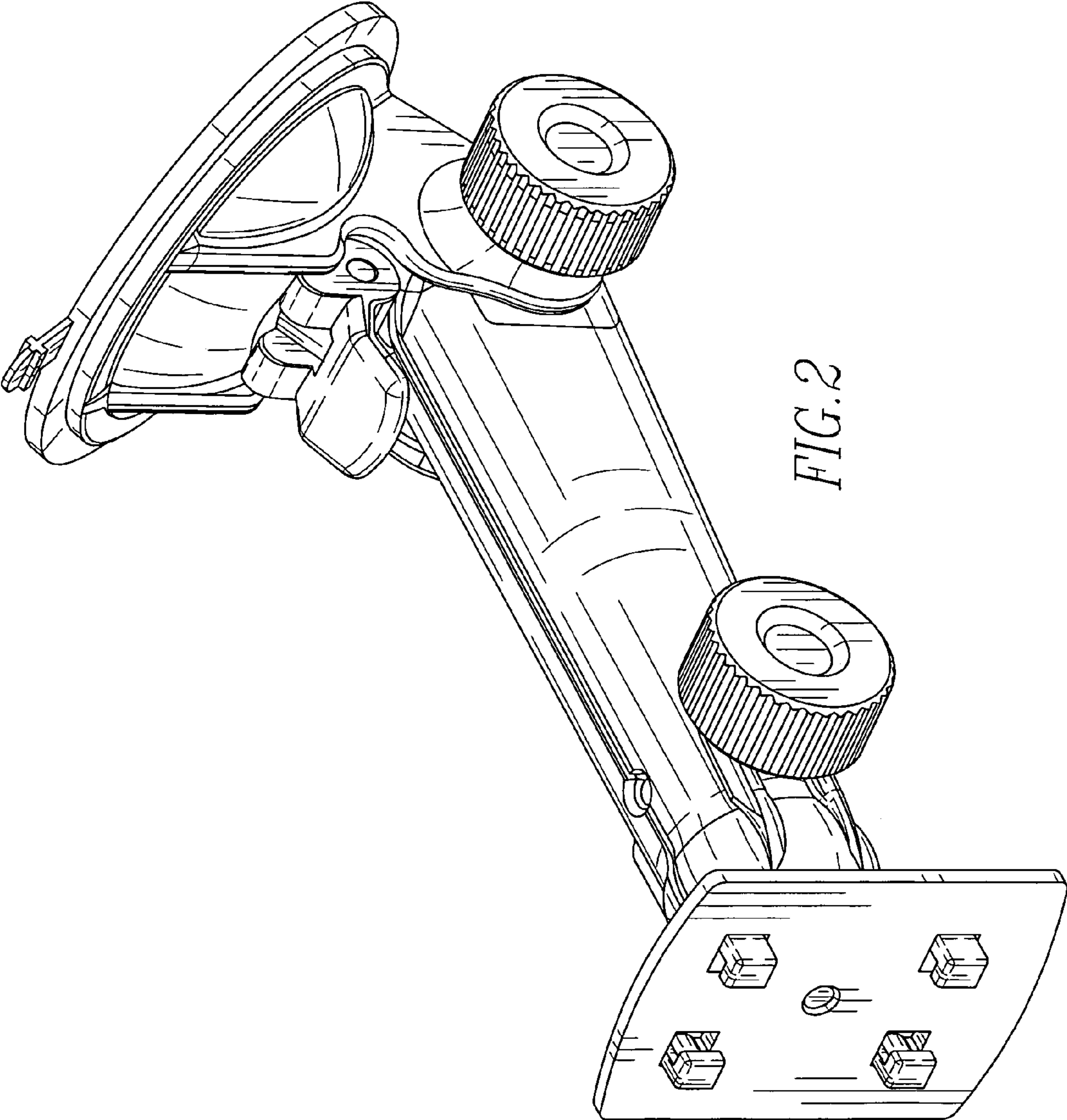


FIG. 2

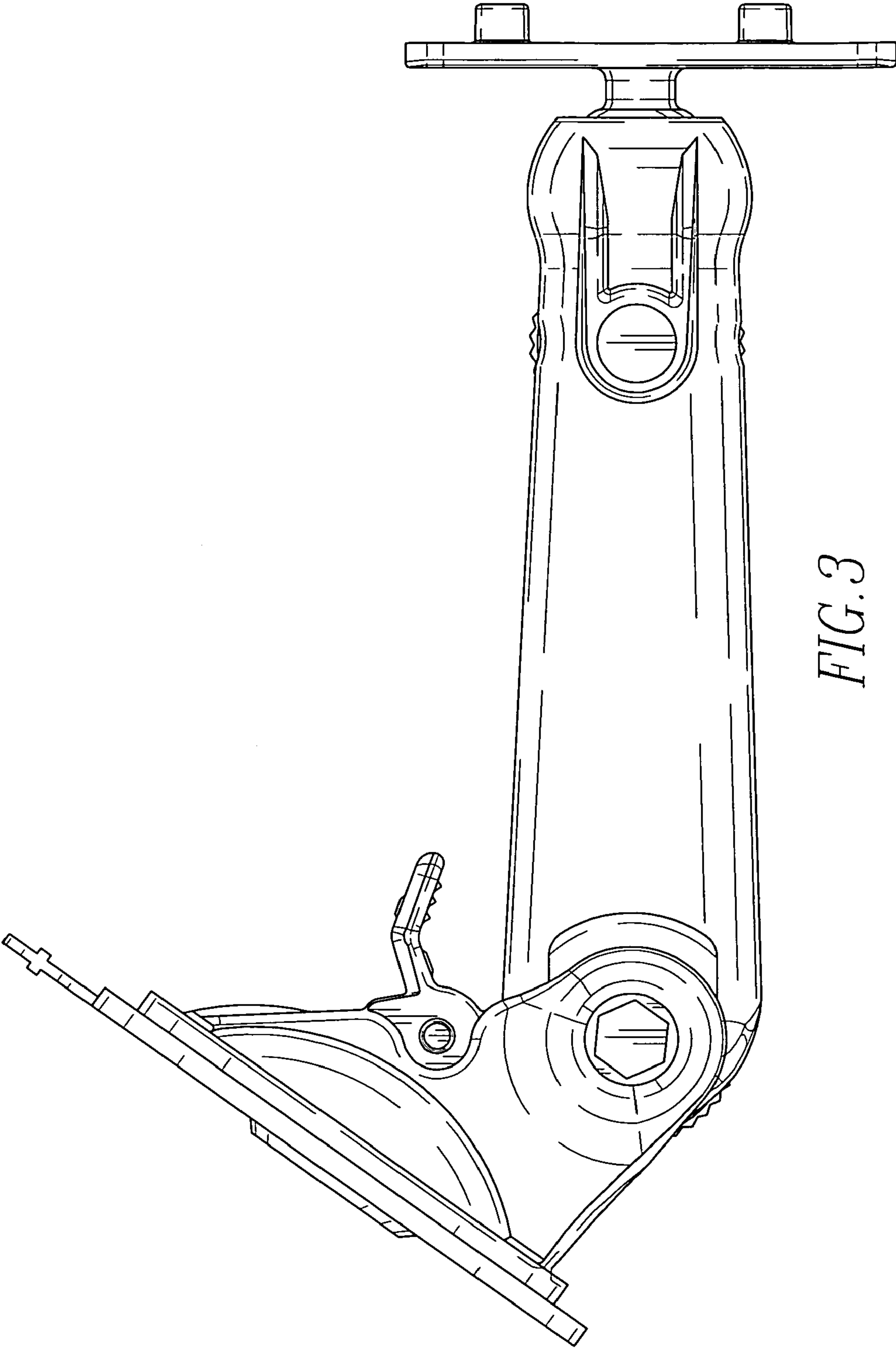


FIG. 3

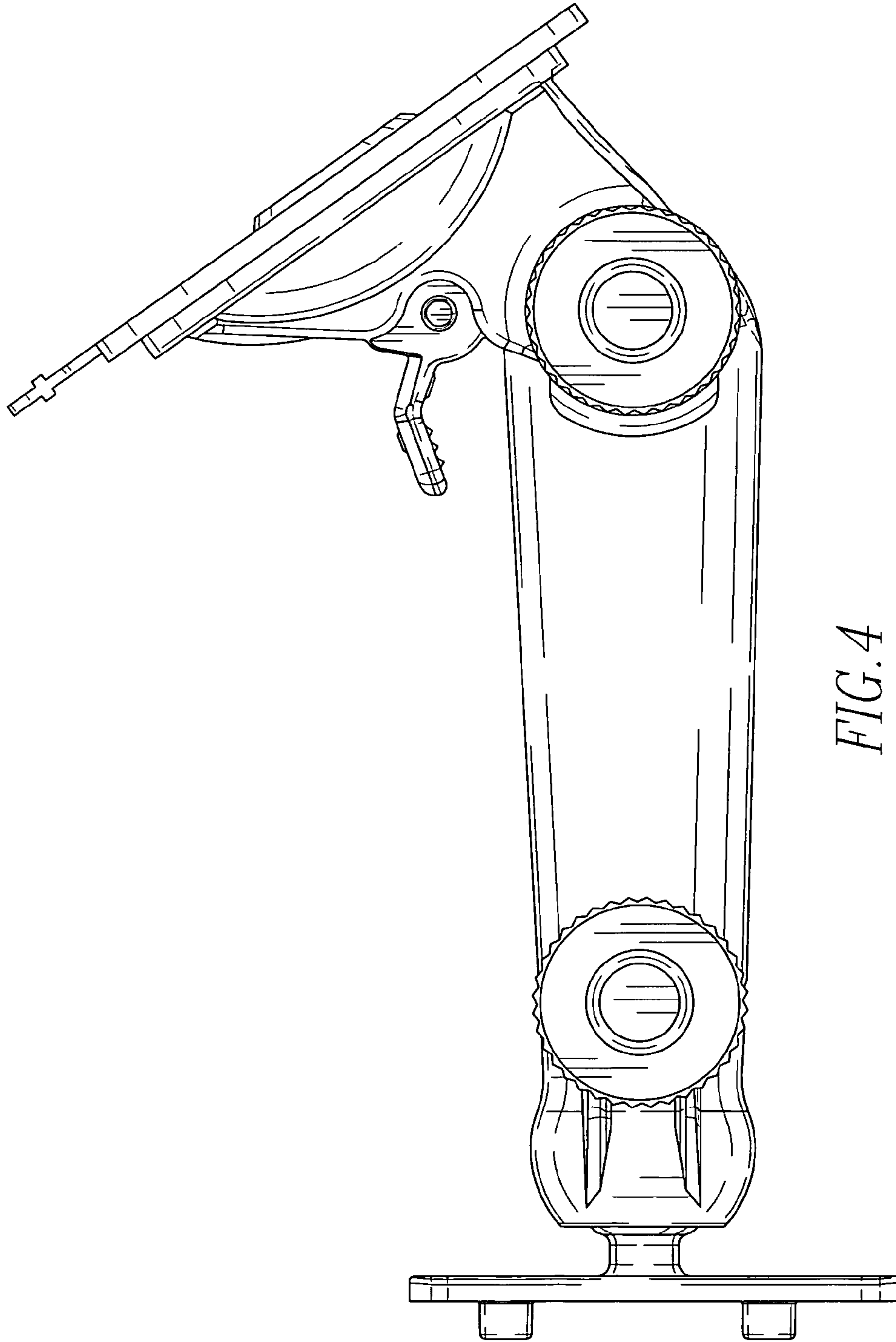


FIG. 4

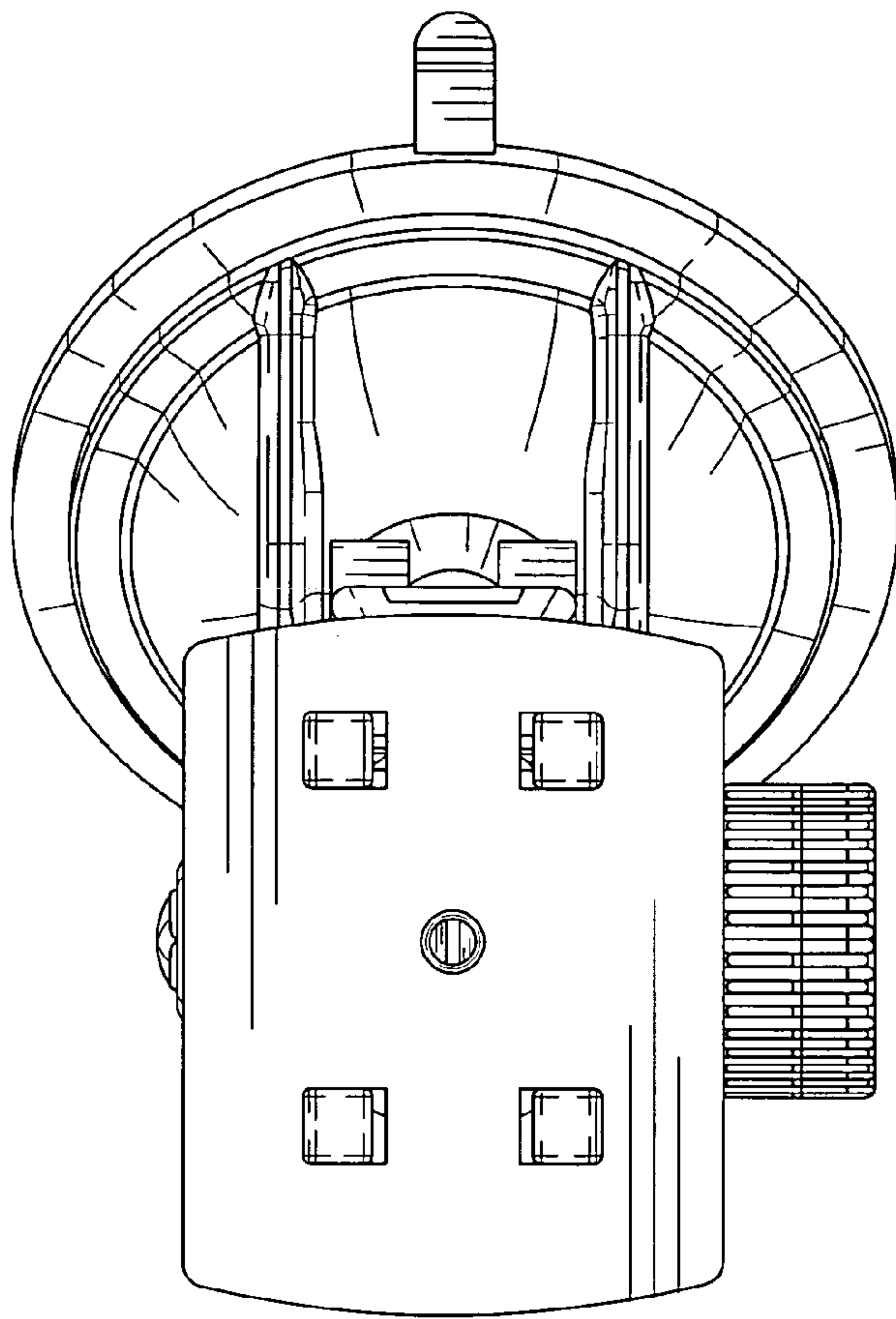


FIG. 5

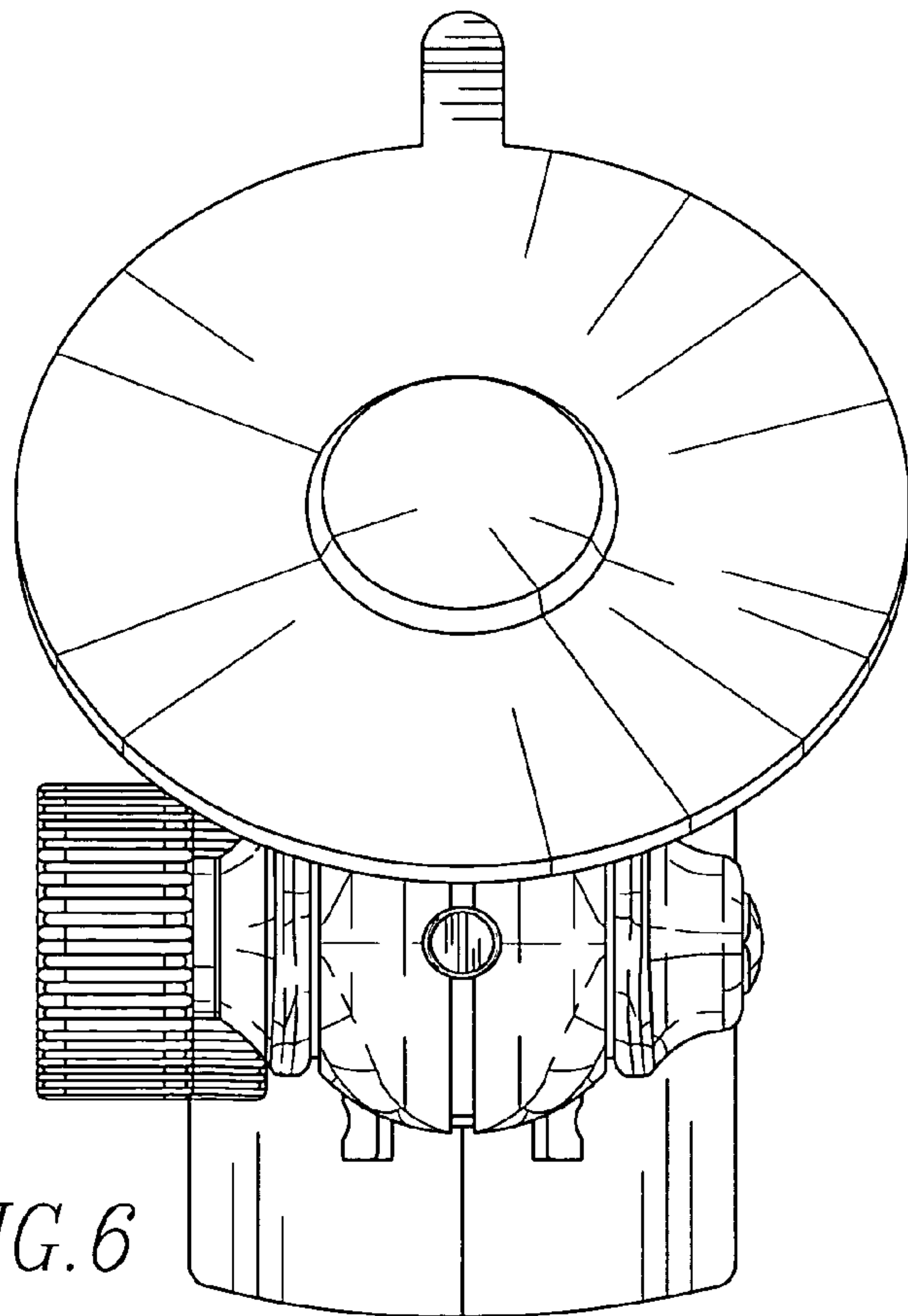


FIG. 6

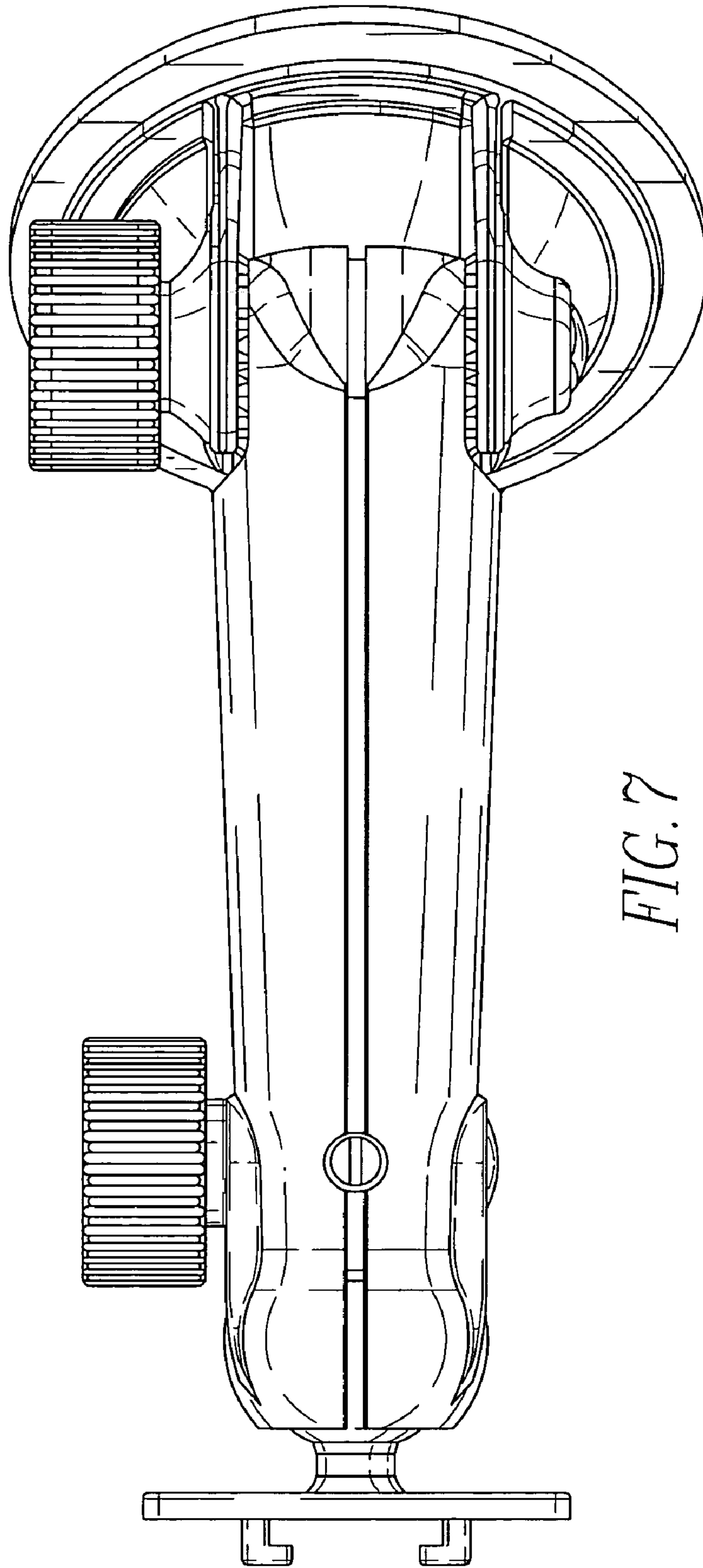


FIG. 7