

US00D599352S

(12) **United States Design Patent**
Takamoto et al.

(10) **Patent No.:** **US D599,352 S**

(45) **Date of Patent:** **** Sep. 1, 2009**

(54) **CONTROLLER ADAPTOR**

2008/0015017 A1* 1/2008 Ashida et al. 463/37

(75) Inventors: **Junji Takamoto**, Kyoto (JP); **Kenichiro Ashida**, Kyoto (JP); **Noboru Wakitani**, Kyoto (JP); **Masato Ibuki**, Kyoto (JP)

(73) Assignee: **Nintendo Co., Ltd.**, Kyoto (JP)

(**) Term: **14 Years**

(21) Appl. No.: **29/293,943**

(22) Filed: **Dec. 19, 2007**

(30) **Foreign Application Priority Data**

Jun. 21, 2007 (JP) 2007-016531

(51) **LOC (9) Cl.** **14-02**

(52) **U.S. Cl.** **D14/400; D21/333; D14/434**

(58) **Field of Classification Search** D14/217,
D14/218, 356, 388, 399-401, 412-416, 432,
D14/434, 454-457, 496; D21/324, 332,
D21/333; 463/1, 30, 36-38, 46, 47; 345/156-161,
345/905

See application file for complete search history.

(56) **References Cited**

U.S. PATENT DOCUMENTS

D344,108	S	2/1994	Shirai	
D353,169	S	12/1994	Shirai	
D353,170	S	12/1994	Shirai	
D385,539	S *	10/1997	Taylor D14/388
6,647,248	B1 *	11/2003	Ortscheid et al. 455/575.1
6,735,309	B1 *	5/2004	Lemanski et al. 379/454
D527,005	S *	8/2006	Navarrez et al. D14/401
D541,806	S *	5/2007	Wada D14/418
D543,246	S *	5/2007	Ashida et al. D21/333
D544,481	S *	6/2007	Maddox et al. D14/401
D567,243	S *	4/2008	Ashida et al. D14/412
D568,882	S *	5/2008	Ashida et al. D14/400
D575,350	S *	8/2008	Ashida et al. D21/333
D577,025	S *	9/2008	Ashida et al. D14/400

OTHER PUBLICATIONS

EC-Deal.com, "Nintendo Wii Light Gun for Nintendo Wii Remote Nunchuk Game Adapter", <<http://www.ec-deal.com/catalog/nintendo-wii-light-gun-for-nintendo-wii-remote-nunchuk-game-adapter-p-228.html>>, Sep. 27, 2007, accessed May 21, 2009, 4 pgs.*
Ubergizmo.com, "Officiel: Nintendo va sortir la Wii Zapper", <http://www.ubergizmo.com/fr/archives/2007/07/nintendo_va_sortir_la_wii_zapper_oficiel.php>, Jul. 12, 2007, accessed May 21, 2009, 1pg.*

* cited by examiner

Primary Examiner—Stella M Reid

Assistant Examiner—Keli L Hill

(74) *Attorney, Agent, or Firm*—Nixon & Vanderhye, P.C.

(57) **CLAIM**

The ornamental design for a controller adaptor, as shown and described.

DESCRIPTION

FIG. 1 is a front, top and right perspective view of a controller adaptor showing our new design;

FIG. 2 is a rear, bottom and left perspective view thereof;

FIG. 3 is a front view thereof;

FIG. 4 is a rear view thereof;

FIG. 5 is a right side view thereof, a left side view being a mirror image thereof;

FIG. 6 is a top plan view thereof;

FIG. 7 is a bottom plan view thereof;

FIG. 8 is a reference view thereof, shown in use with a controller attached; and,

FIG. 9 is a second reference view thereof.

The broken lines represent the portions of the design that form no part of the claim.

1 Claim, 4 Drawing Sheets

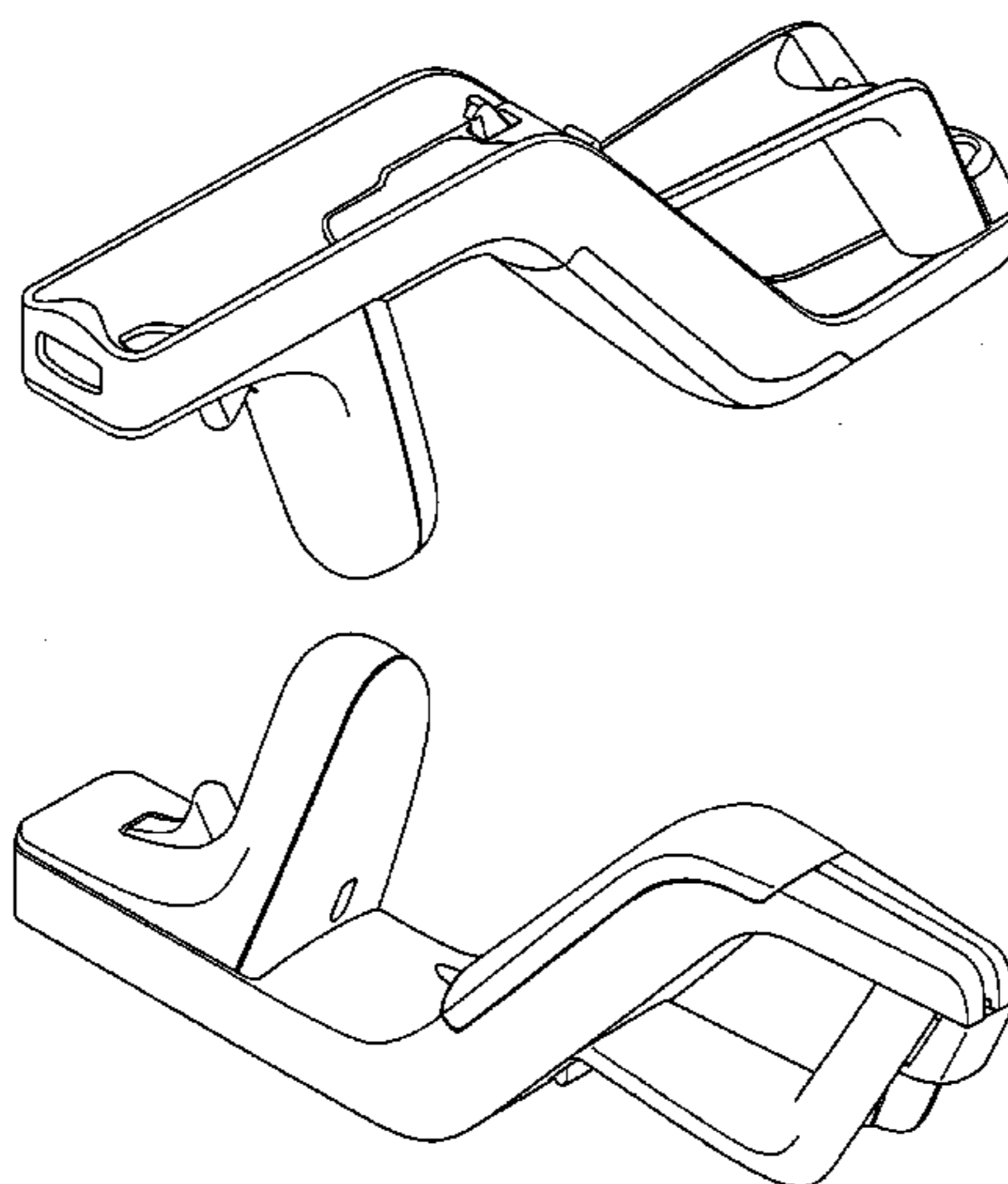


FIG. 1

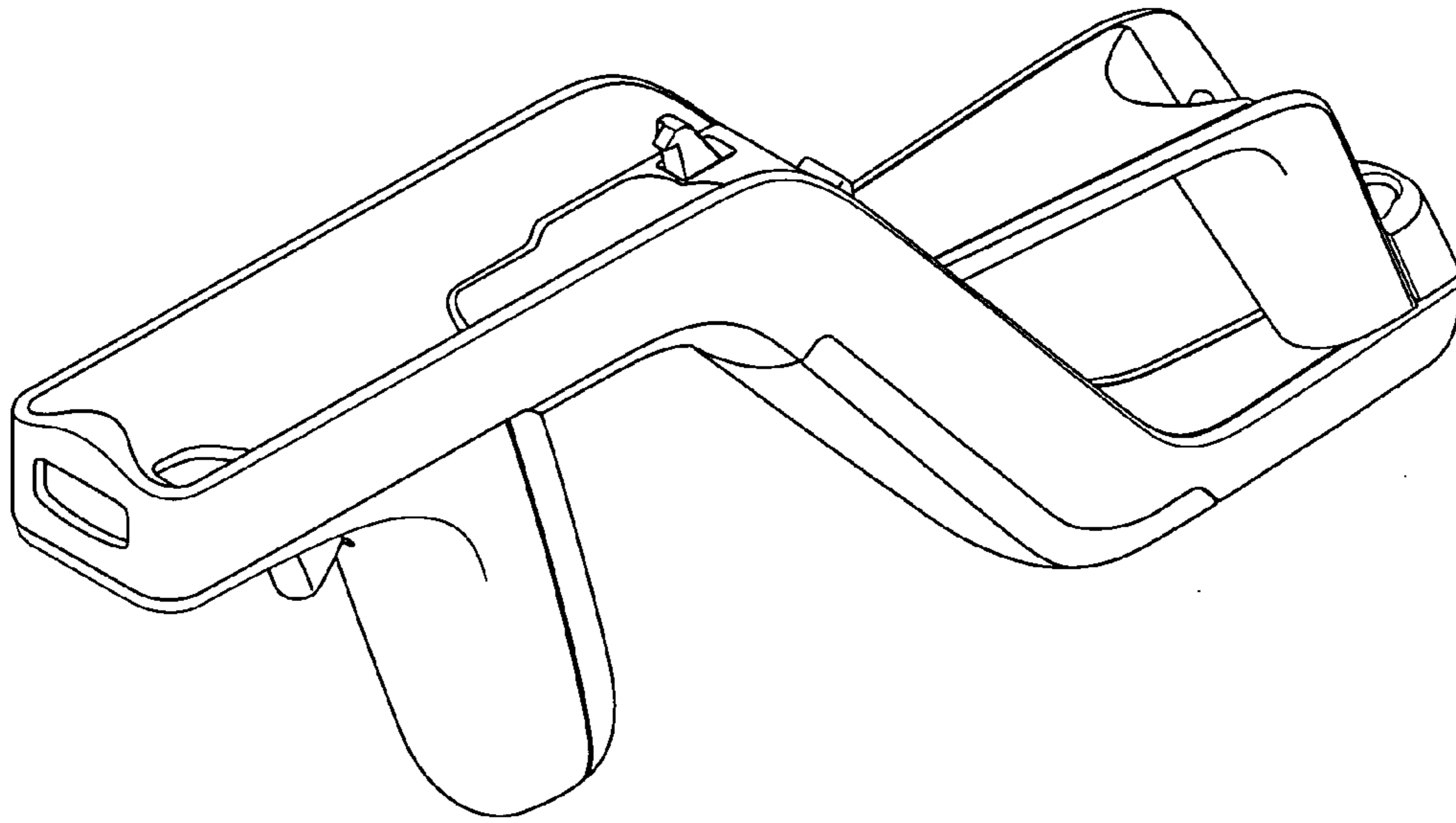


FIG. 2

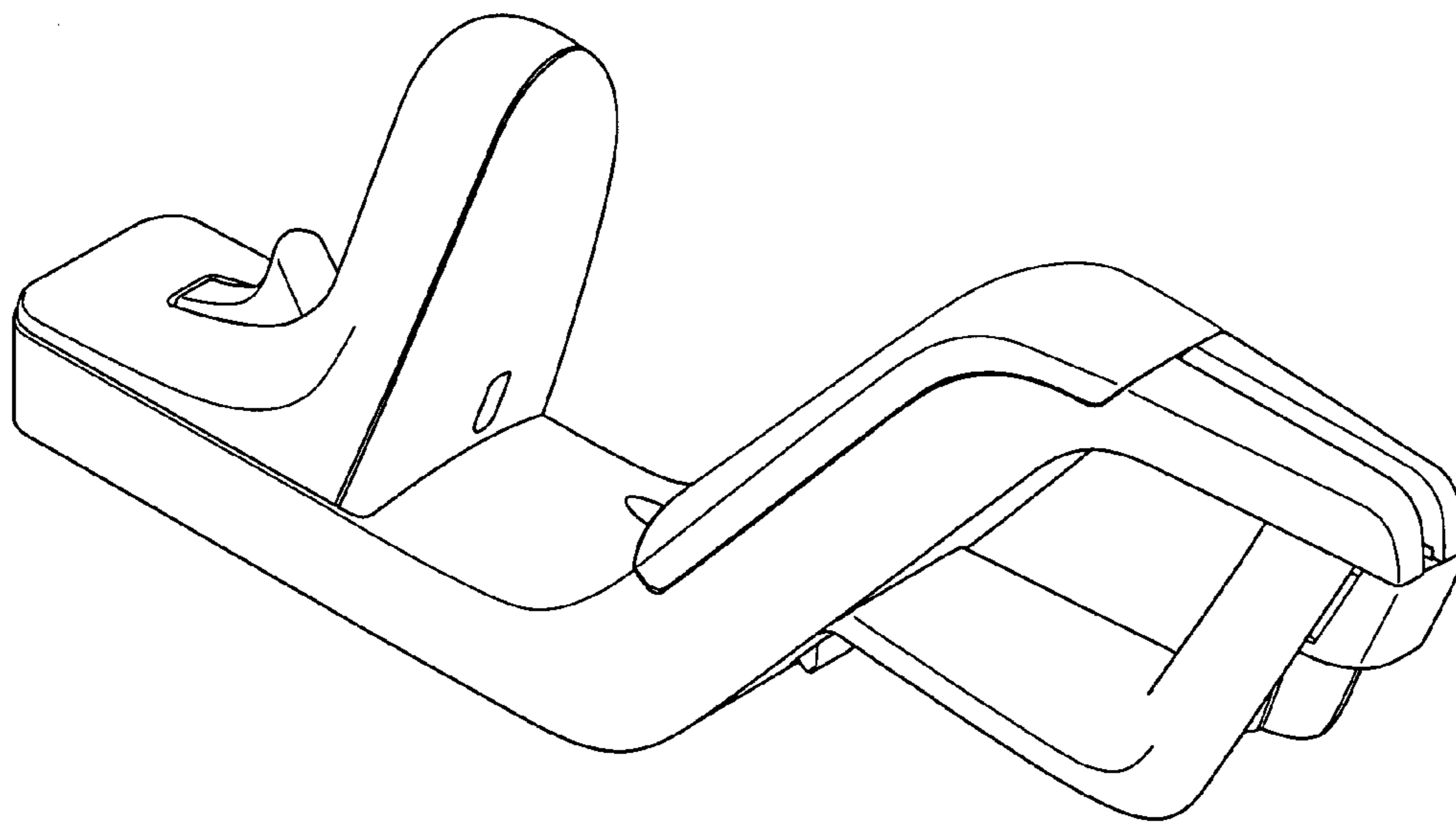


FIG. 3

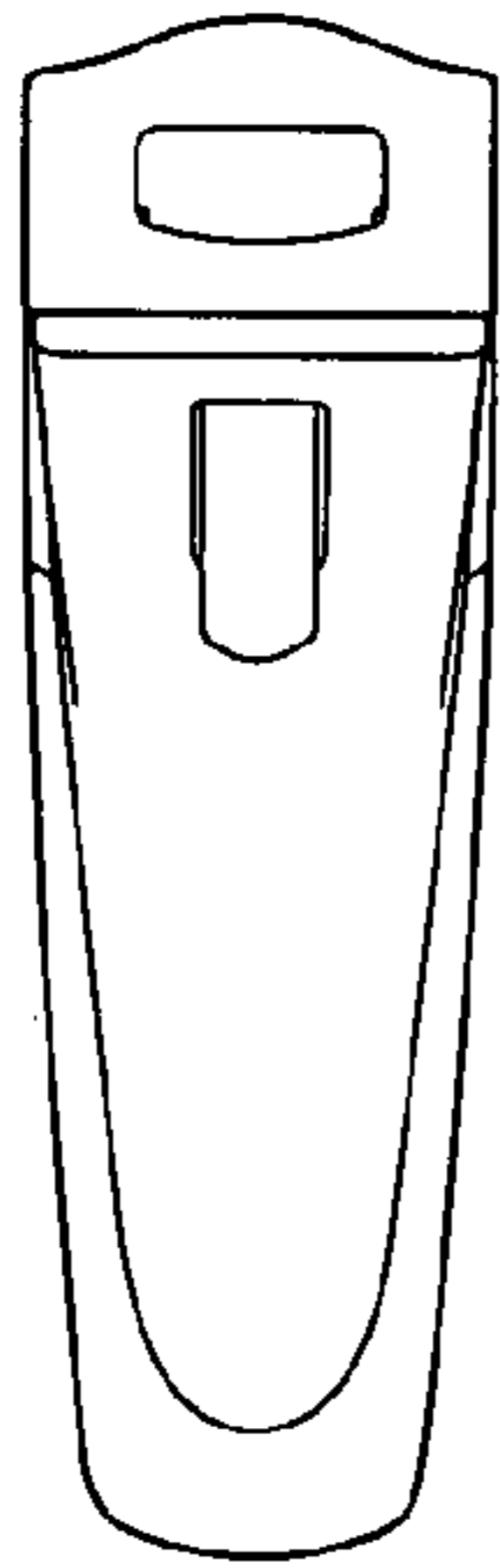


FIG. 4

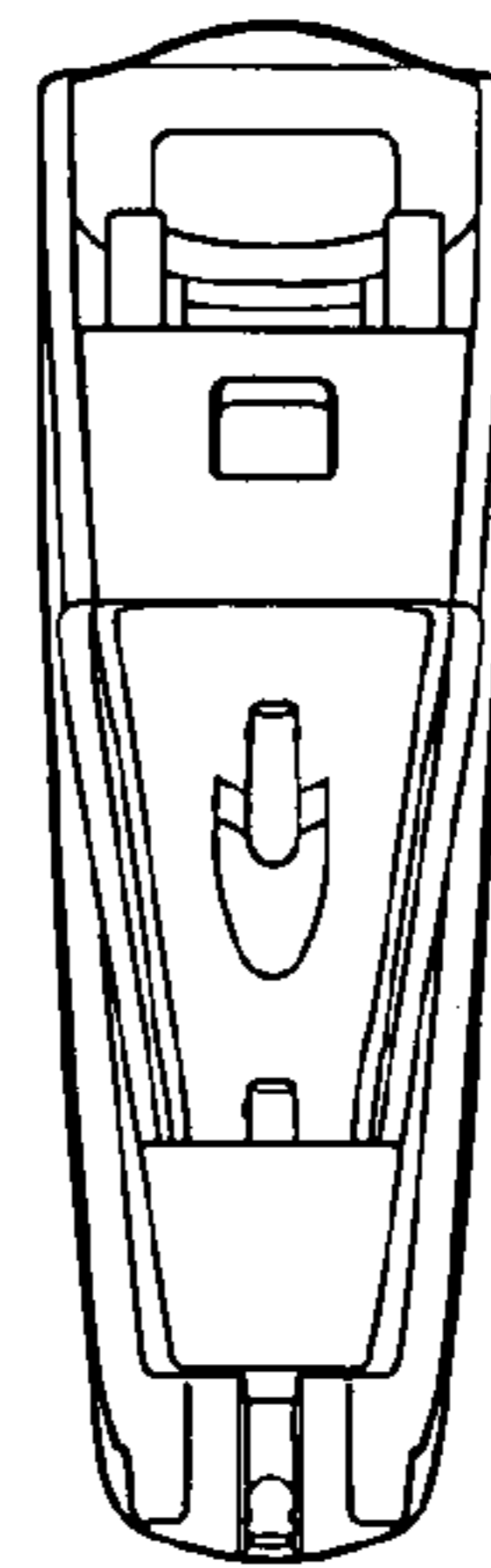


FIG. 5

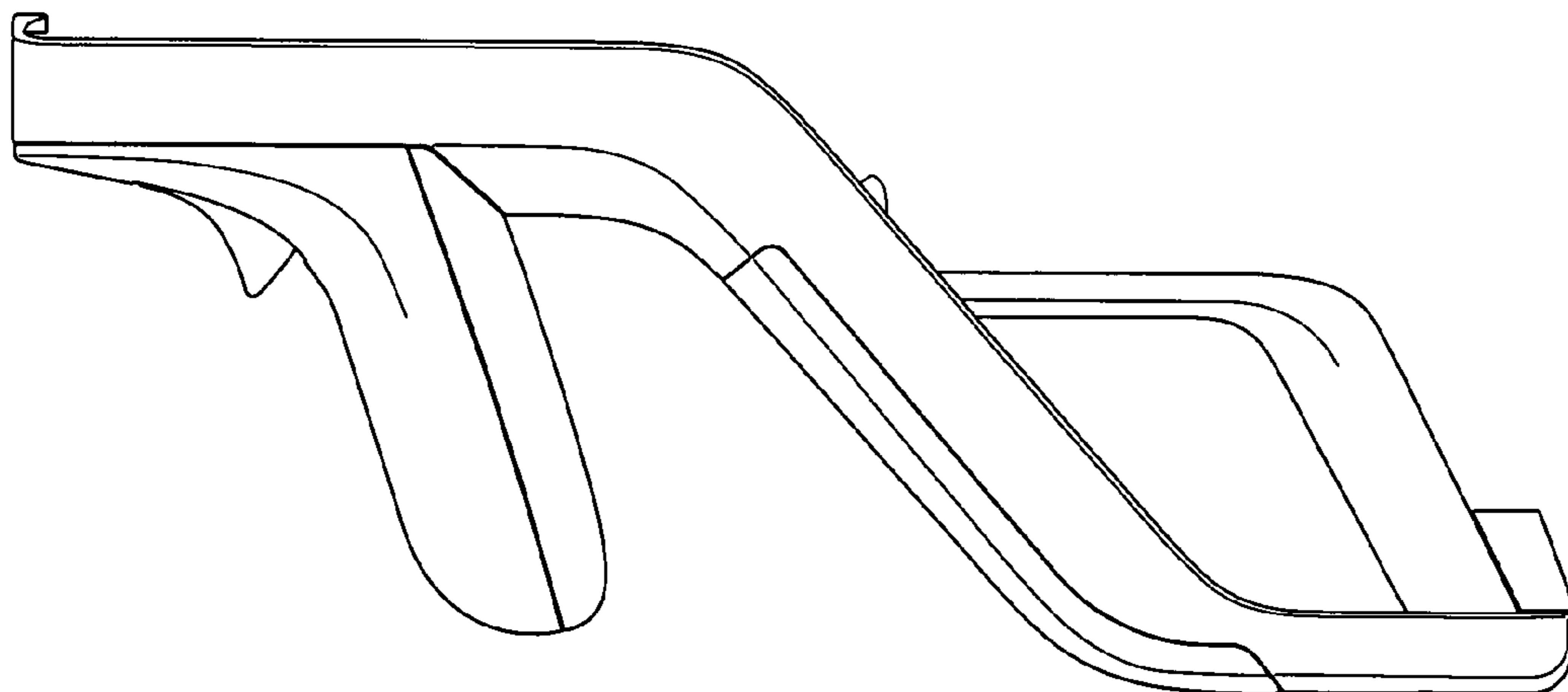


FIG. 6

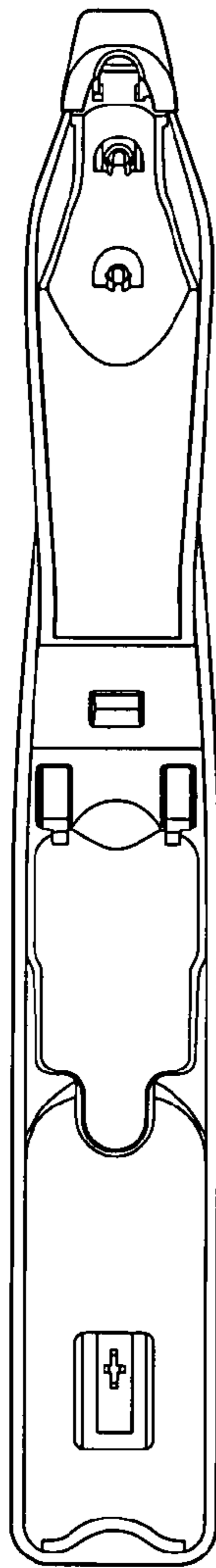


FIG. 7

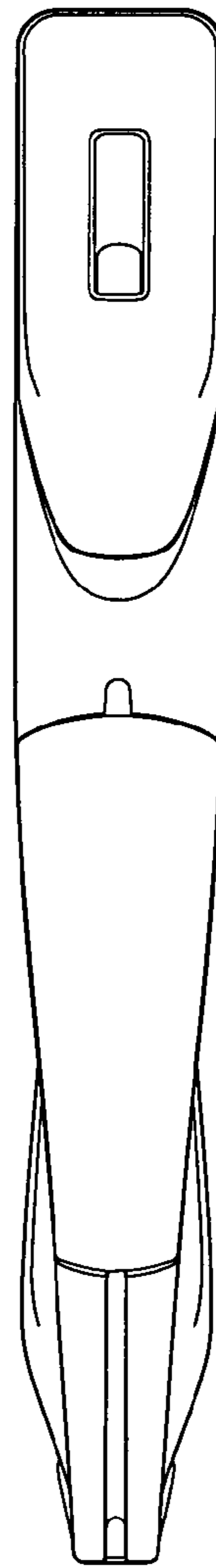


FIG. 8

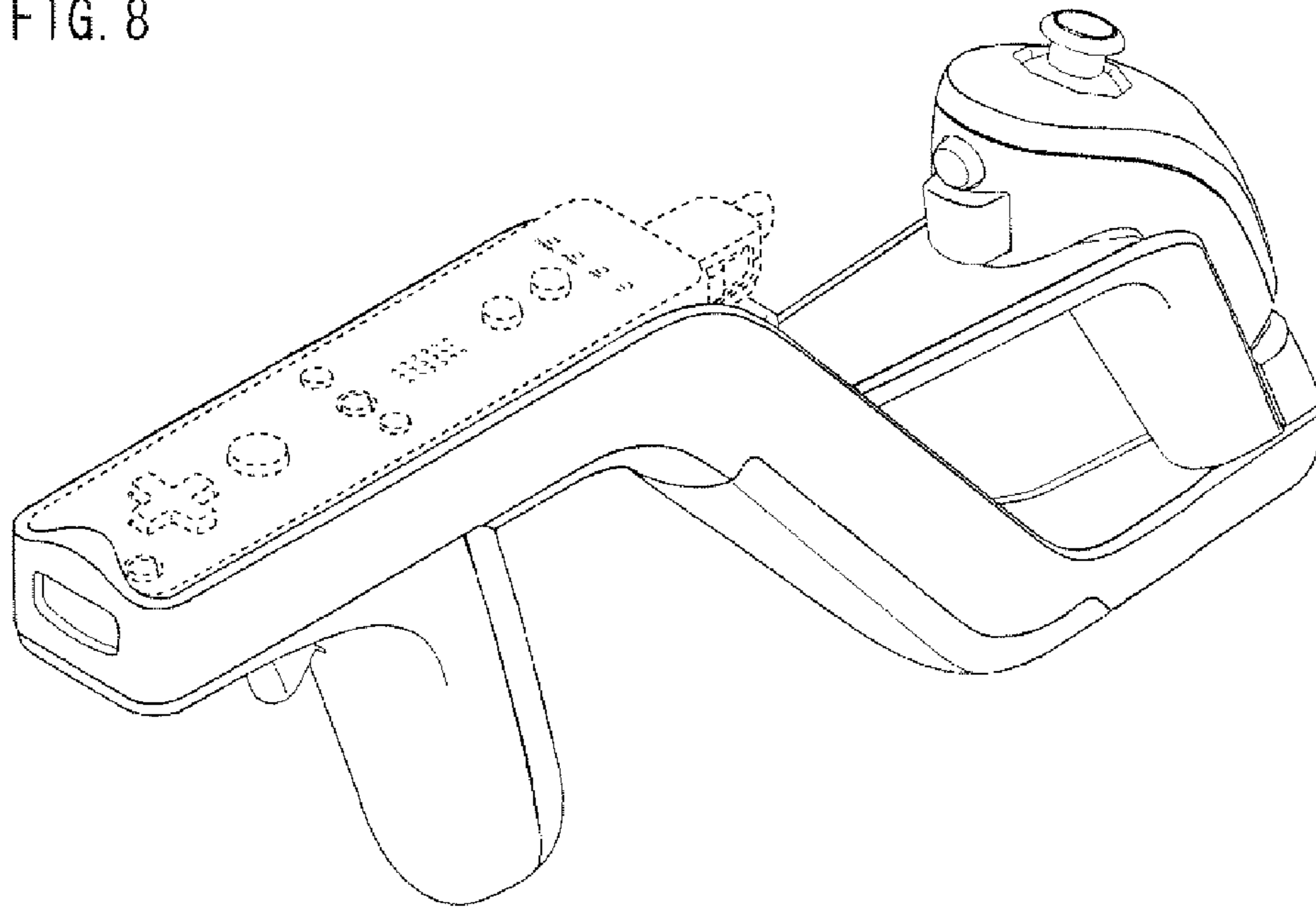


FIG. 9

