



US00D599349S

(12) **United States Design Patent**  
**Meyer et al.**

(10) **Patent No.:** **US D599,349 S**  
(45) **Date of Patent:** **\*\* Sep. 1, 2009**

(54) **KEYBOARD**

(75) Inventors: **Steven H. Meyer**, Austin, TX (US); **Joel A. East**, Austin, TX (US)

(73) Assignee: **iKey, Ltd.**, Austin, TX (US)

(\*\*) Term: **14 Years**

(21) Appl. No.: **29/321,247**

(22) Filed: **Jul. 14, 2008**

(51) **LOC (9) Cl.** ..... **14-02**

(52) **U.S. Cl.** ..... **D14/391**

(58) **Field of Classification Search** ..... D14/391-399,  
D14/385; D18/1, 2, 7, 11; 178/17 A, 17 C;  
200/5 A, 5 R, 6 A, 6 R; 235/145 A, 145 R;  
341/22, 23, 35; 345/160, 168; 400/484-486,  
400/488, 489, 492; D24/158; 708/144

See application file for complete search history.

(56) **References Cited**

**U.S. PATENT DOCUMENTS**

D220,218 S	3/1971	Jacobs	
4,074,088 A	2/1978	Keough et al.	
4,314,117 A	2/1982	Ditzig	
4,472,610 A	9/1984	Fuller et al.	
D276,230 S	11/1984	Akiyama	
4,563,550 A	1/1986	Bertina	
4,701,747 A	10/1987	Isherwood et al.	
4,703,160 A	10/1987	Narishima et al.	
4,772,769 A	9/1988	Shumate	
4,823,311 A	4/1989	Hunter et al.	
5,021,638 A	6/1991	Nopper et al.	
5,096,317 A	3/1992	Phillippe	
5,138,119 A	8/1992	Demeo	
D332,777 S *	1/1993	Kelly et al. ....	D14/392
D338,460 S *	8/1993	Neumeister ....	D14/396
D340,445 S	10/1993	Marquardt et al.	
D357,911 S	5/1995	Grant et al.	
5,439,304 A	8/1995	Phillips et al.	
D363,277 S	10/1995	Chung	
5,457,480 A	10/1995	White	
D365,552 S	12/1995	Marquardt et al.	

D366,256 S	1/1996	Landry et al.	
5,510,782 A	4/1996	Norris et al.	
5,521,342 A	5/1996	Bartley et al.	
D370,476 S *	6/1996	Dalesky .....	D14/395
D379,179 S	5/1997	Kawauchi et al.	
5,642,805 A	7/1997	Tefft	
D387,050 S	12/1997	Chen	
5,699,083 A	12/1997	Lo	
5,717,565 A	2/1998	Raasch	
5,743,381 A	4/1998	Patak et al.	
5,777,281 A	7/1998	Riddiford	
5,847,336 A	12/1998	Thornton	

(Continued)

**OTHER PUBLICATIONS**

“iKey Industrial Peripherals Catalog”; iKey; 2004; pp. 1-24.

(Continued)

*Primary Examiner*—Freda S Nunn  
(74) *Attorney, Agent, or Firm*—Meyertons, Hood, Kivlin,  
Kowert & Goetzel, P.C.; Eric B. Meyertons

(57) **CLAIM**

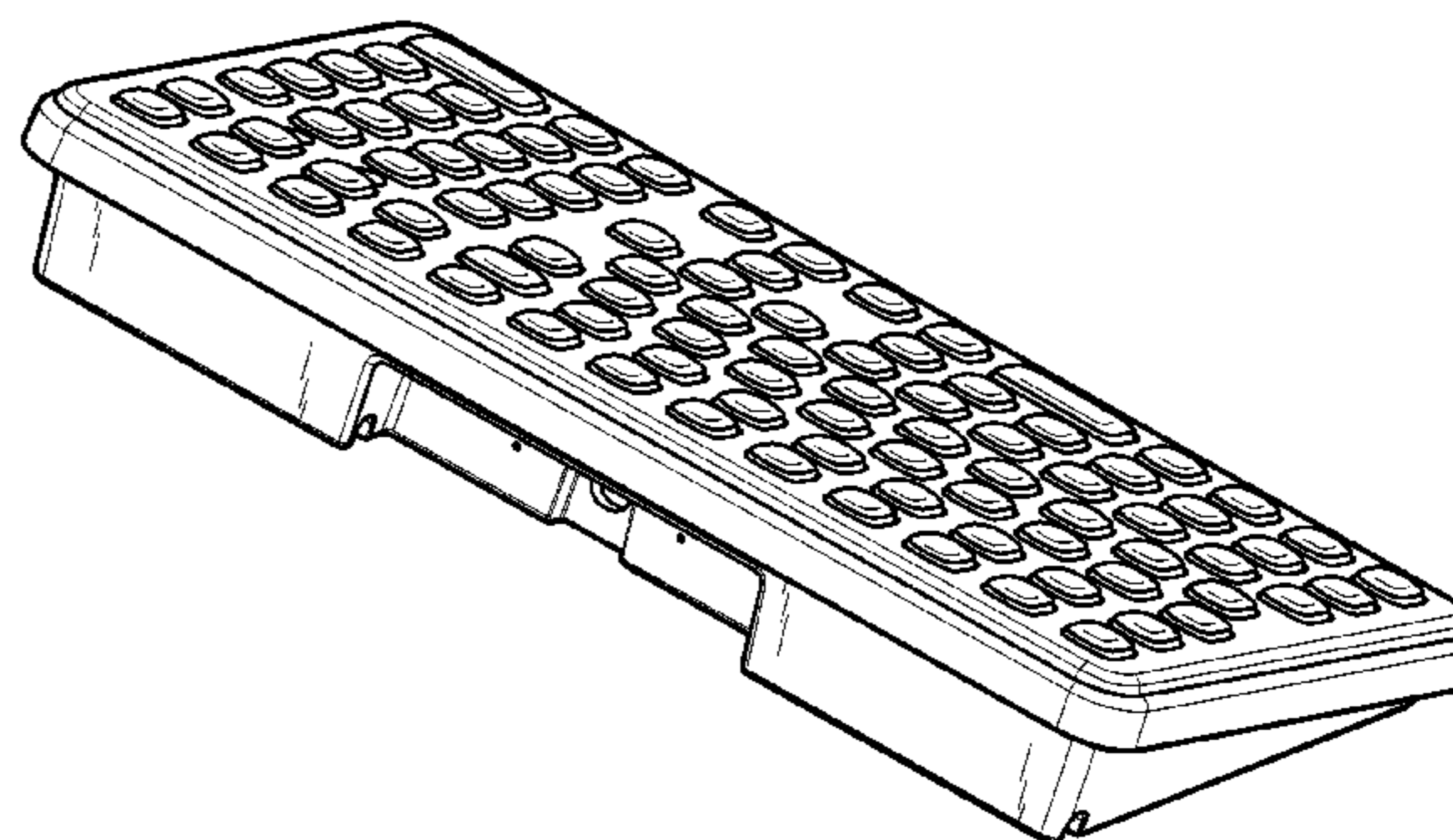
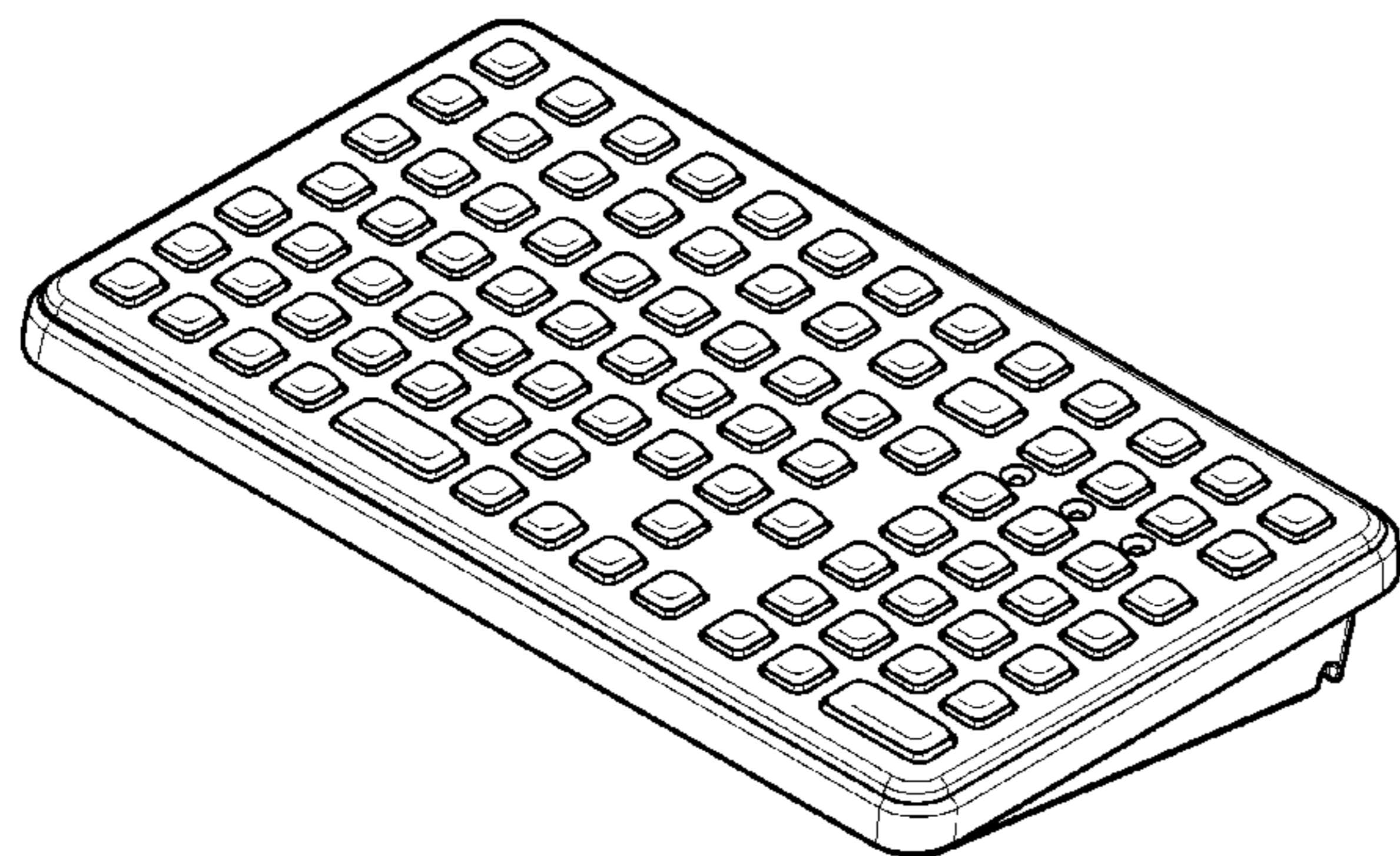
The ornamental design for a keyboard, as shown and described.

**DESCRIPTION**

FIG. 1 is a front-right-top perspective view thereof;  
FIG. 2 is back-left-top perspective view thereof;  
FIG. 3 is a back view thereof;  
FIG. 4 is a front view thereof;  
FIG. 5 is a left view thereof.  
FIG. 6 is a right view thereof;  
FIG. 7 is a bottom view thereof; and,  
FIG. 8 is a view of the top face thereof.

The broken lines form no part of the claimed design.

**1 Claim, 5 Drawing Sheets**



U.S. PATENT DOCUMENTS

D404,392 S 1/1999 Inbal et al.  
 5,903,548 A 5/1999 Delamater  
 5,917,437 A 6/1999 Ojala et al.  
 5,923,522 A 7/1999 Sajna  
 D413,319 S 8/1999 Louis et al.  
 6,016,423 A 1/2000 Ross et al.  
 6,031,470 A 2/2000 Asari et al.  
 D422,273 S 4/2000 Lee  
 6,057,517 A 5/2000 Meyer  
 D428,888 S 8/2000 Ledbetter et al.  
 D434,765 S 12/2000 Mikan  
 6,215,420 B1 4/2001 Harrison et al.  
 6,219,038 B1 4/2001 Cho  
 D441,361 S 5/2001 Sanders  
 D442,177 S \* 5/2001 Chang et al. .... D14/392  
 6,323,842 B1 11/2001 Krukovsky  
 D455,428 S 4/2002 Andres et al.  
 D456,409 S 4/2002 Mason  
 6,424,522 B1 7/2002 Lin et al.  
 D462,354 S \* 9/2002 Kimbre et al. .... D14/392  
 D462,682 S 9/2002 Andres et al.  
 6,469,693 B1 10/2002 Chiang et al.  
 6,501,462 B1 12/2002 Garner  
 D471,551 S 3/2003 Mah  
 D569,377 S 5/2003 Lundgren et al.  
 6,563,435 B1 5/2003 Platz  
 6,573,463 B2 6/2003 Ono  
 6,610,944 B2 8/2003 Lee et al.  
 D480,726 S \* 10/2003 Yokota ..... D14/396  
 6,633,986 B1 10/2003 Sellers  
 D481,730 S 11/2003 Kang et al.  
 D481,735 S 11/2003 Marucci et al.  
 6,657,616 B2 12/2003 Sims  
 D485,271 S 1/2004 Kamegi  
 D485,559 S \* 1/2004 Hayamizu ..... D14/392  
 6,690,359 B1 2/2004 Felton  
 6,705,787 B2 3/2004 Jeffries et al.  
 D492,308 S 6/2004 Ozolins et al.  
 D492,309 S 6/2004 Buhler  
 6,765,158 B1 7/2004 Morrison et al.  
 6,798,396 B2 9/2004 Gemunder et al.  
 6,803,865 B2 10/2004 DeLuga  
 D500,318 S 12/2004 Buhler  
 6,871,978 B2 3/2005 Chan et al.  
 6,896,948 B1 5/2005 Griswold  
 6,921,054 B2 7/2005 Doan  
 6,922,186 B2 7/2005 Whitcomb  
 6,935,894 B2 8/2005 Fung  
 D509,505 S 9/2005 Brazil et al.  
 D516,070 S 2/2006 Ozolins et al.  
 7,006,075 B1 2/2006 Olson  
 D517,069 S \* 3/2006 Chou ..... D14/392  
 7,030,330 B2 4/2006 Suda  
 D522,513 S 6/2006 Lo  
 7,087,850 B1 8/2006 Murzanski

7,294,799 B2 11/2007 Meyer et al.  
 D574,826 S 8/2008 Meyer et al.  
 7,432,908 B2 10/2008 Rutledge et al.  
 2003/0223797 A1 12/2003 Uke  
 2004/0095329 A1 5/2004 Sexton

OTHER PUBLICATIONS

“iKey Industrial Peripherals Catalog”; iKey; 2004; pp. 25-48.  
 “Motorola MW-520 Police Car MDT Computer Radio Fire”; Internet eBay Auction (<http://hub.ebay.com/buy>); Item No. 120154541913; Item description states keyboard manufactured in 1998; item posted prior to Mar. 17, 2008; 4 pages.  
 “Motorola MW-520 Monitor Keyboard Mount Police Computer”; Internet eBay Auction (<http://hub.ebay.com/buy>); Item No. 120212889580; Item posted prior to Mar. 18, 2008; 3 pages.  
 “Motorola Mobile Workstation 800 (MW 800) Series F5207 Displays and Keyboard Specification Sheet”; 2005; 4 pages.  
 “Universal Computer Mounting Platforms”; Havis-Shields Publication; [www.havis.com/havis\\_catalog/HS-CATALOG-F-8-06/Consoles/computer%20mount.pdf](http://www.havis.com/havis_catalog/HS-CATALOG-F-8-06/Consoles/computer%20mount.pdf); link appears to include date “HS-CATALOG-F-8-06”; 11 pages.  
 “TG3 Electronics Custom Keyboard BLT Series Backlit Keyboards with Touchpad”; Product Datasheet; <http://www.tg3electronics.com/support/documents/blt.pdf>; 2002; 2 pages.  
 “Toughbook PDRC”; Panasonic Data Sheet; accessed from [http://feeneywireless.com/products/computers/panasonic/panasonic\\_toughbook\\_drc.php](http://feeneywireless.com/products/computers/panasonic/panasonic_toughbook_drc.php); Nov. 2005; 2 pages.  
 “TG3 Electronics, Inc. vs. iKey Industrial Peripherals and Stacoswitch”; Complaint; United States District Court Eastern District of Wisconsin; Case No. 08-C-0093; Filed Jan. 25, 2008; 11 pages.  
 “Product Bulletin: Data Entry Product, Enclosed 86 Key Rugged Duty Keyboard, Series M779”; accessed at [http://www.stacosystems.com/PDF/M779%20PB%2012\\_12\\_06.pdf](http://www.stacosystems.com/PDF/M779%20PB%2012_12_06.pdf); Date info: “Product Bulletin 11/06M779”; HTML Source Date info: “<meta name=“CreationDate” content=“D:20061212161439-08‘00”>”; 2 pages.  
 “Product Bulletin; Data Entry Product Series M779”; accessed at <http://www.stacosystems.com/Library/keyboards.htm>; clicking on reference link labeled “Version: 1/22/07M779” provides Product Bulletin dated “Product Bulletin 05/07M779”; 2 pages.  
 “Electrone 7540 Mini Keyboard;” <http://www.electroneamericas.com/PDF/7540.pdf>; date unknown (accessed 2008; 1 page.  
 “Motorola MW-520 in Car Mobile Computer”; Internet eBay Auction (<http://hub.ebay.com/buy>); item No. 150226774608; item posted prior to Mar. 17, 2008; manufacture date of keyboard is unknown; 7 pages.  
 “Electrone Mini Keyboards”; <http://web.archive.org/web/20061105081004/www.electrone.com/mini2.htm>; web archive dated 2006, accessed on Apr. 18, 2008, 1 page.  
 U.S. Appl. No. 29/276,621, entitled “Keyboard”, by Meyer, et al., filed Jan. 31, 2007.  
 “iKey Industrial Peripherals Catalog”; iKey; 2005; pp. 1-52.  
 “iKey Industrial Peripherals Catalog”; iKey; 2006; 40 pages.  
 “iKey Industrial Peripherals Catalog”; iKey; 2007; 24 pages.

\* cited by examiner

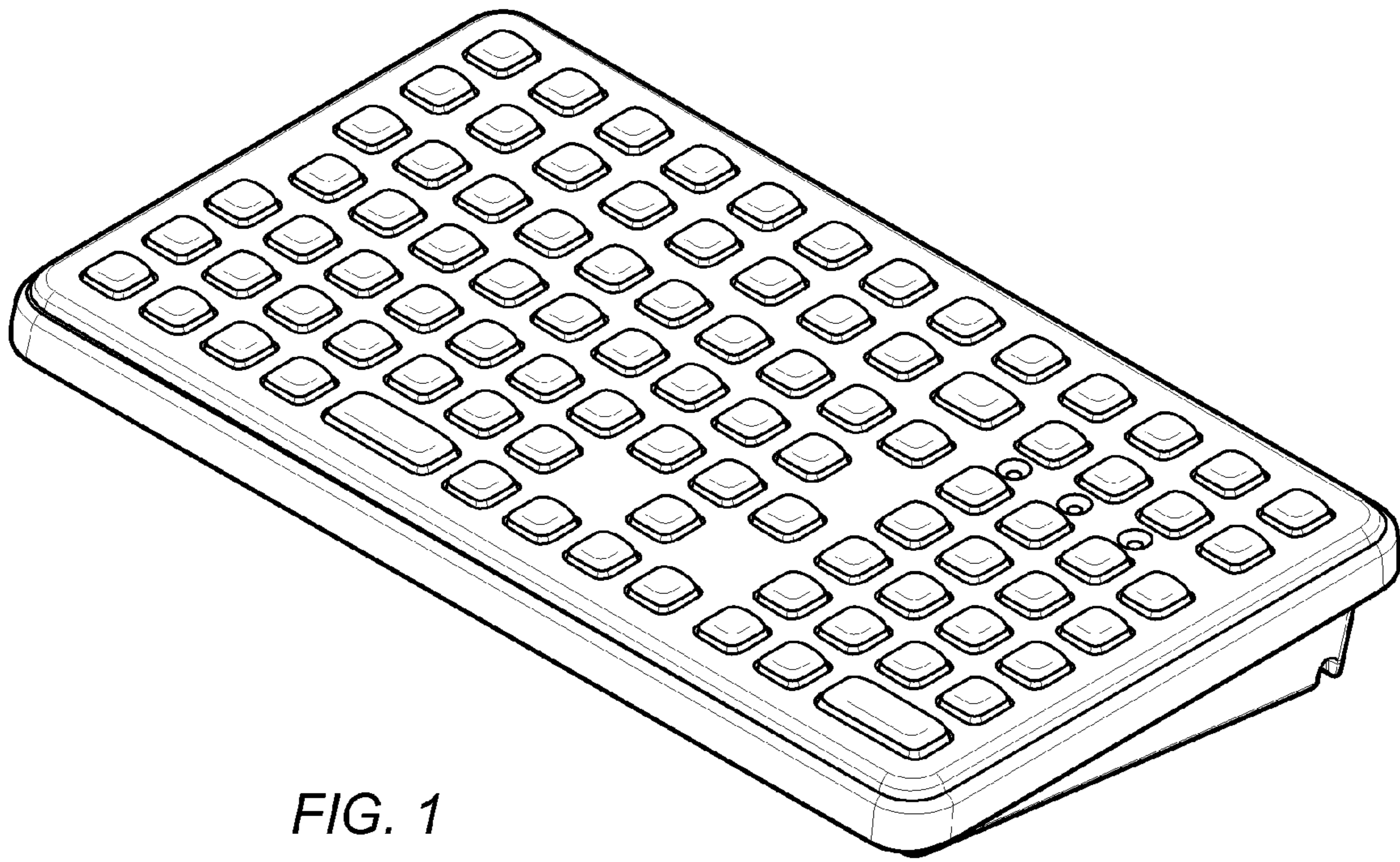


FIG. 1

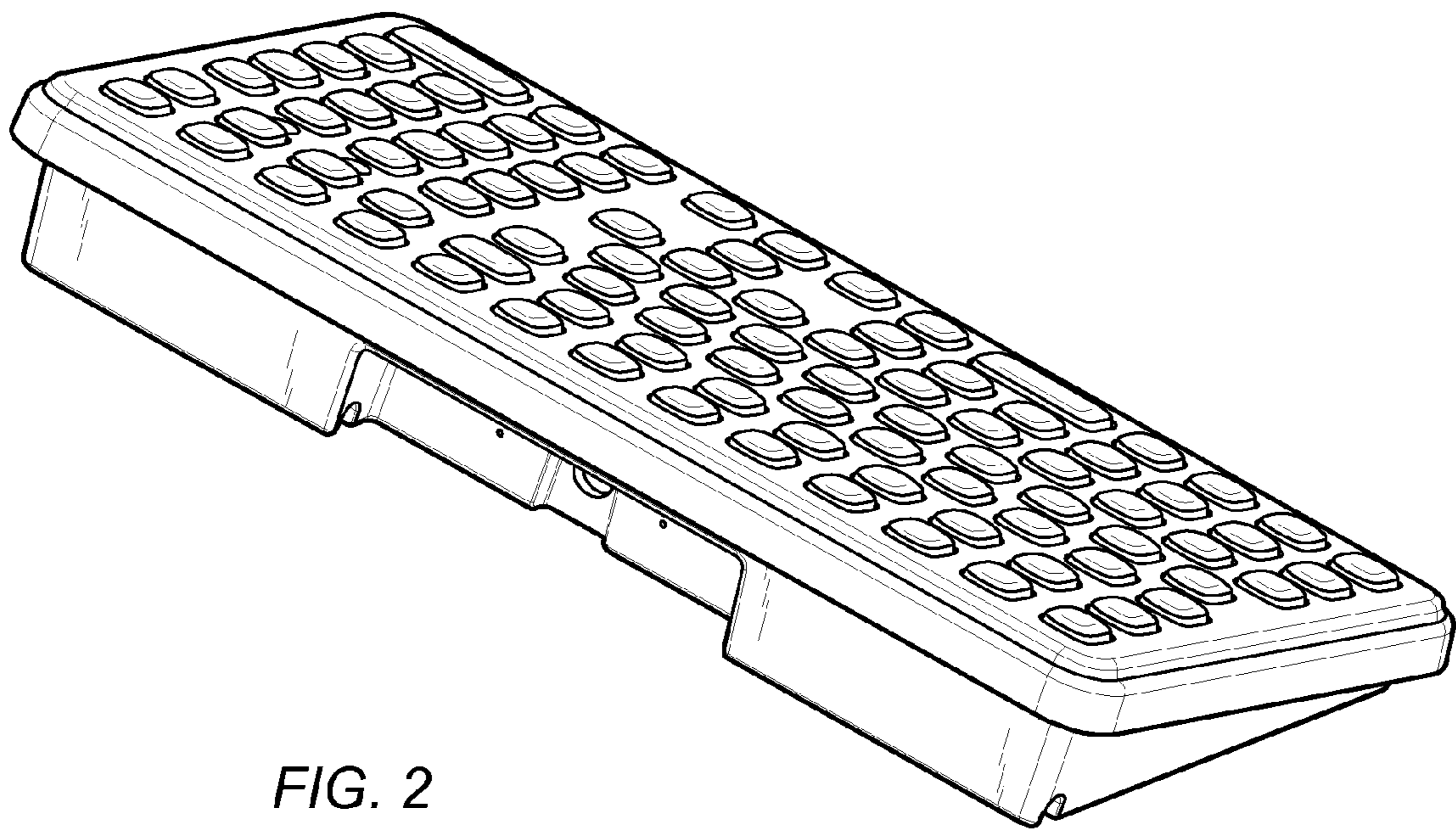


FIG. 2

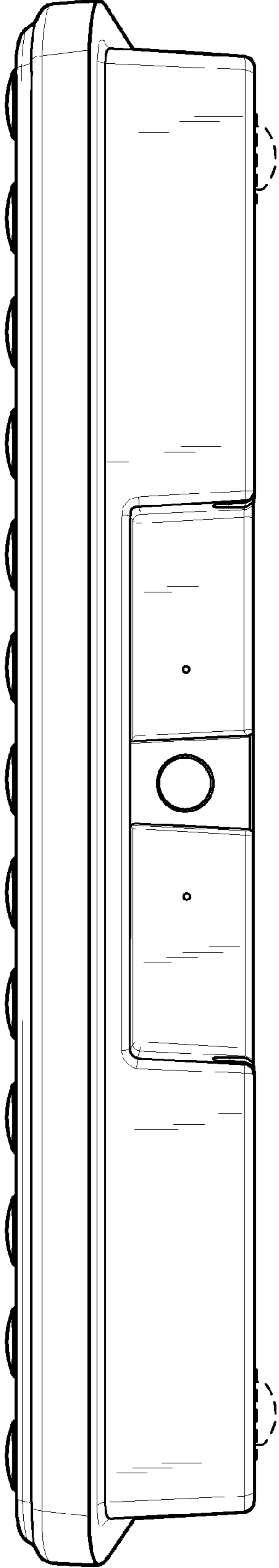


FIG. 3

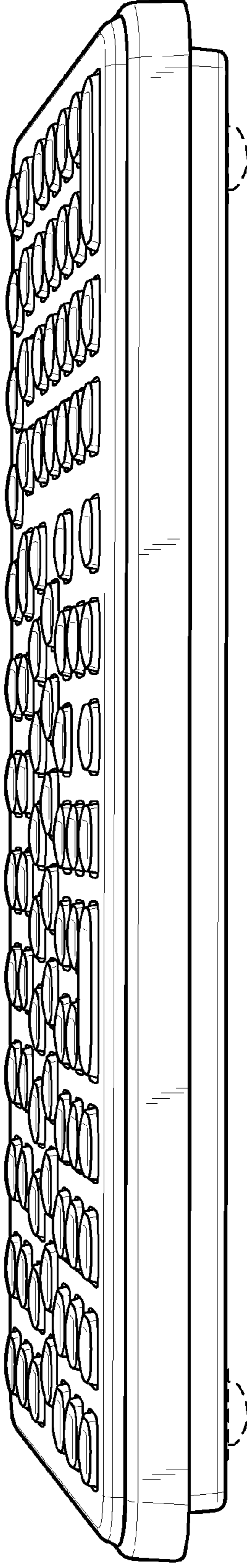


FIG. 4

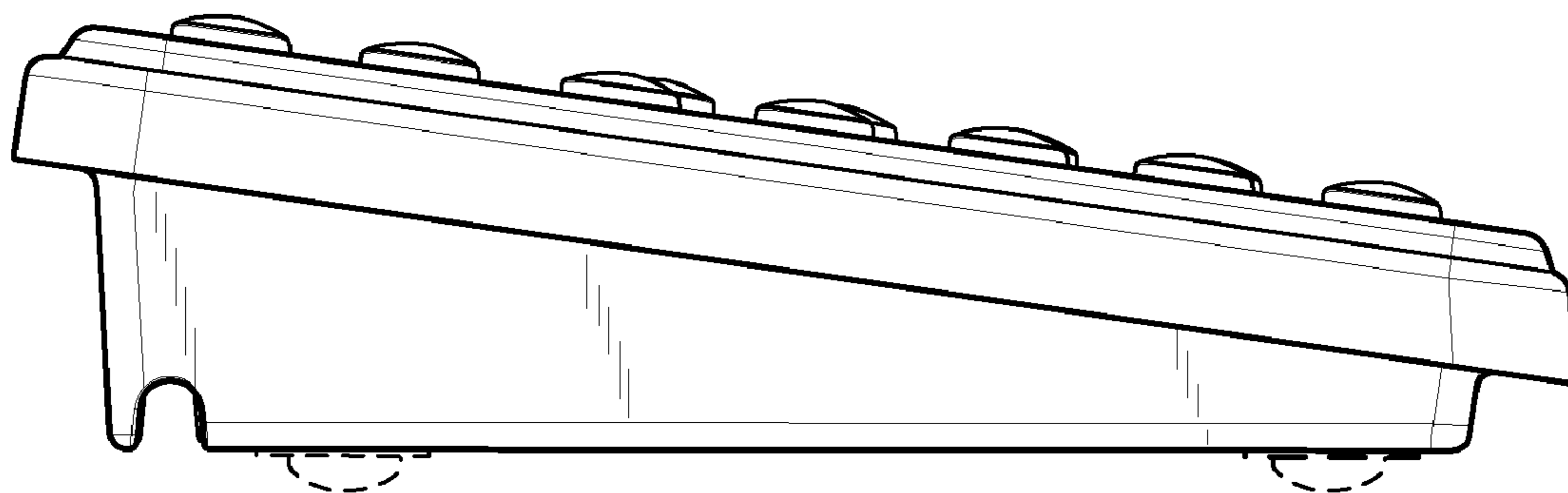


FIG. 5

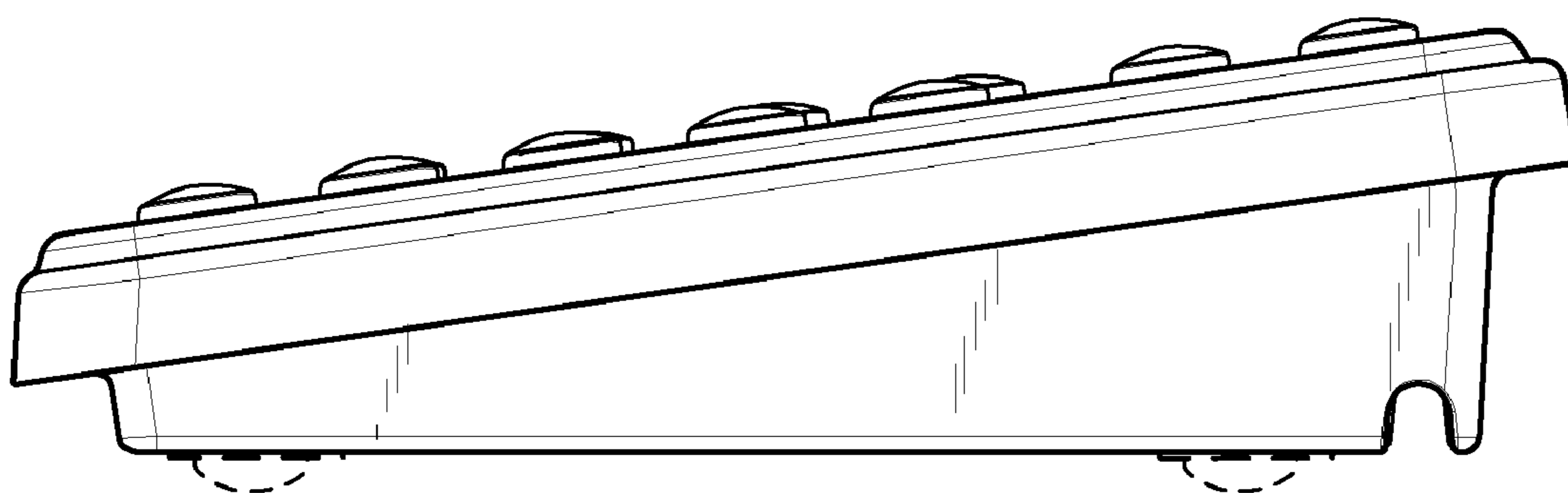


FIG. 6

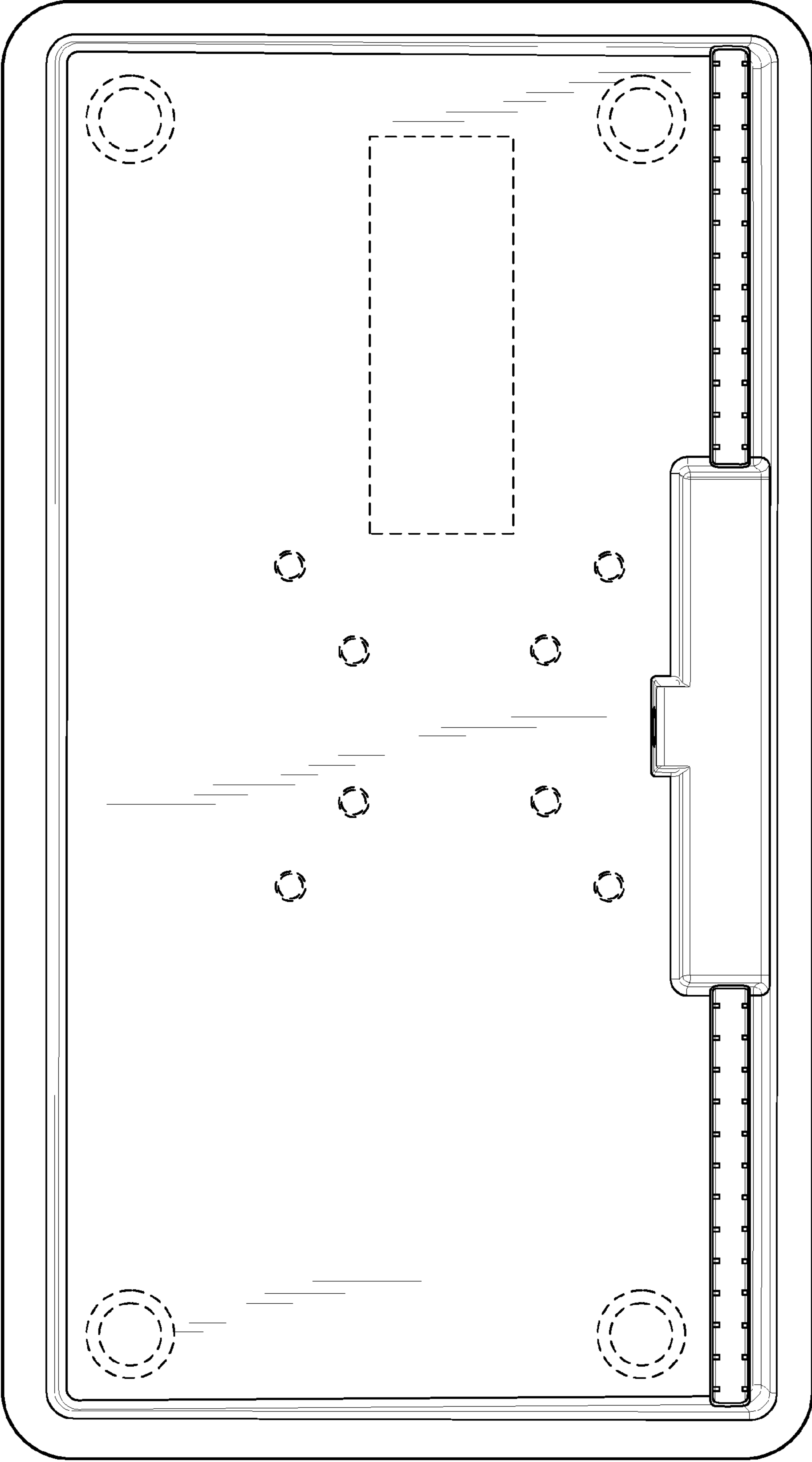


FIG. 7

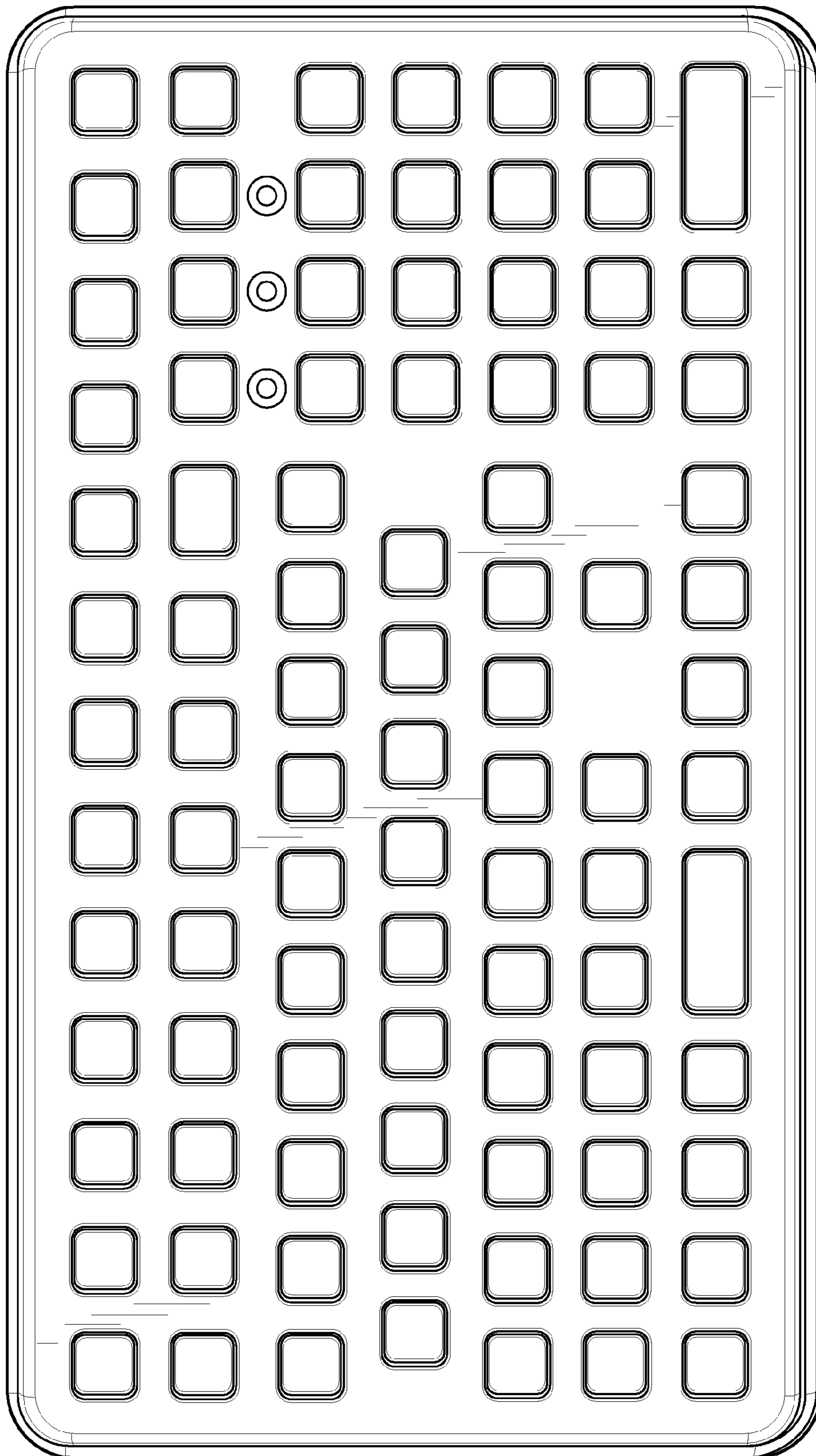


FIG. 8