



US00D599332S

(12) **United States Design Patent**
Lee

(10) **Patent No.:** **US D599,332 S**
(45) **Date of Patent:** **** *Sep. 1, 2009**

(54) **MICROPHONE STAND**

(75) Inventor: **Kyung Ho Lee**, 302-1305, Mok-dong
Sinsigaji Apt. 903, Mok-dong,
Yangcheon-gu, Seoul, 158-160 (KR)

(73) Assignees: **Enter Tech Co., Ltd.**, Seoul (KR);
Kyung Ho Lee, Seoul (KR)

(*) Notice: This patent is subject to a terminal disclaimer.

(**) Term: **14 Years**

(21) Appl. No.: **29/222,107**

(22) Filed: **Jan. 27, 2005**

(30) **Foreign Application Priority Data**

Aug. 4, 2004 (KR) 30-2004-0023702

(51) **LOC (9) Cl.** **14-01**

(52) **U.S. Cl.** **D14/229**

(58) **Field of Classification Search** D14/137,
D14/142, 149, 151, 155, 210, 253, 228, 229,
D14/225-227, 185, 168; 379/431, 432, 419,
379/426, 420.01-420.04, 449, 428.01-428.04;
381/122, 168, 169; D3/218, 315
See application file for complete search history.

(56) **References Cited**

U.S. PATENT DOCUMENTS

D140,701 S * 3/1945 Somers D14/229

D320,985 S * 10/1991 Danielson et al. D14/142
D341,593 S * 11/1993 Chang D14/229
D357,016 S * 4/1995 Li et al. D14/168
D494,152 S * 8/2004 Sabick et al. D14/149

* cited by examiner

Primary Examiner—Paula A. Greene

(74) *Attorney, Agent, or Firm*—Ladas & Parry LLP

(57) **CLAIM**

The ornamental design for a microphone stand, as shown.

DESCRIPTION

FIG. 1 is a perspective view of a microphone stand showing my new design;

FIG. 2 is a top view thereof;

FIG. 3 is a bottom view thereof;

FIG. 4 is a front elevational view thereof;

FIG. 5 is a rear elevational view thereof;

FIG. 6 is a left side elevational view thereof;

FIG. 7 is a right side elevational view thereof; and,

FIG. 8 is a front perspective view thereof.

1 Claim, 7 Drawing Sheets

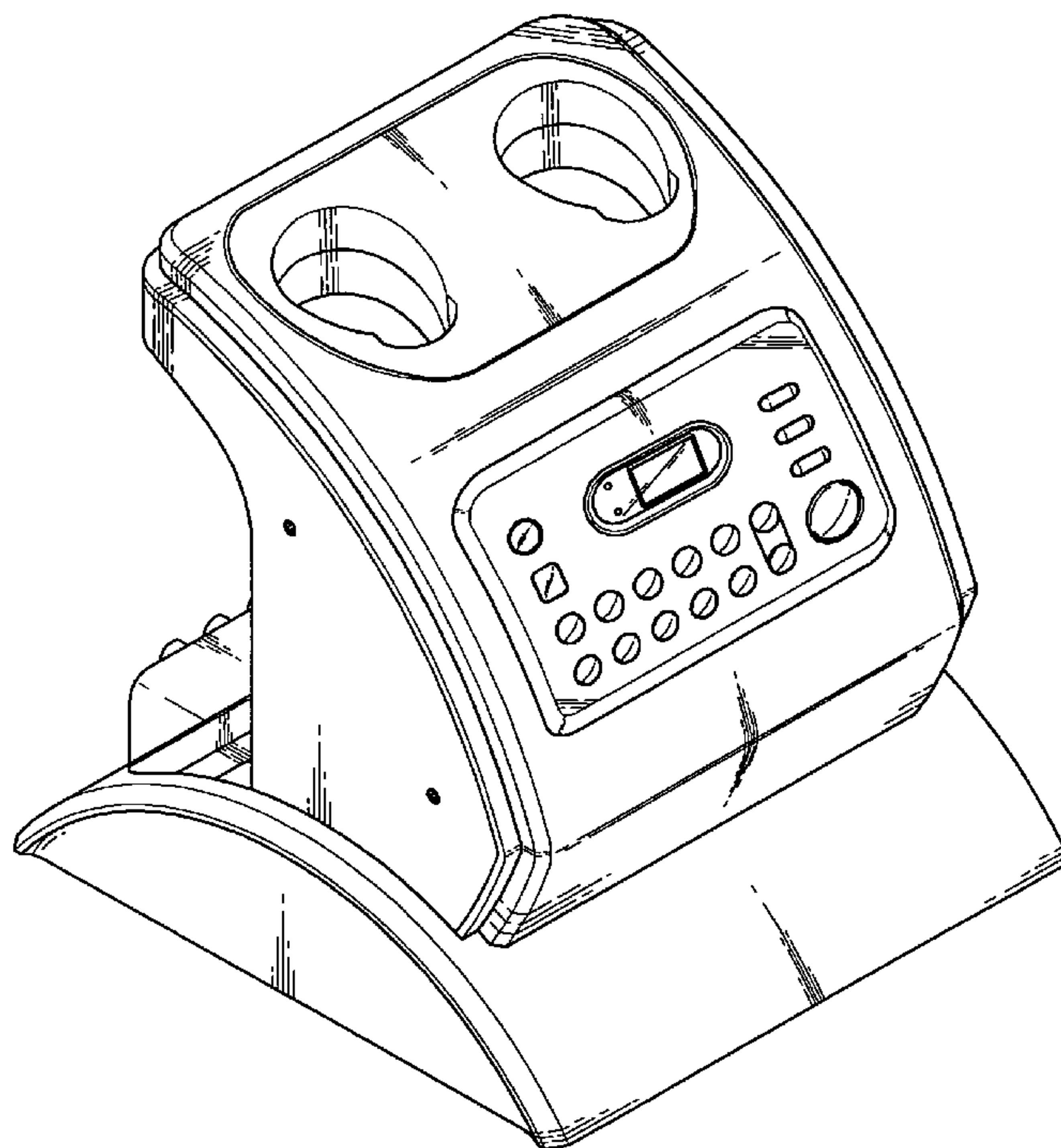


FIG. 1

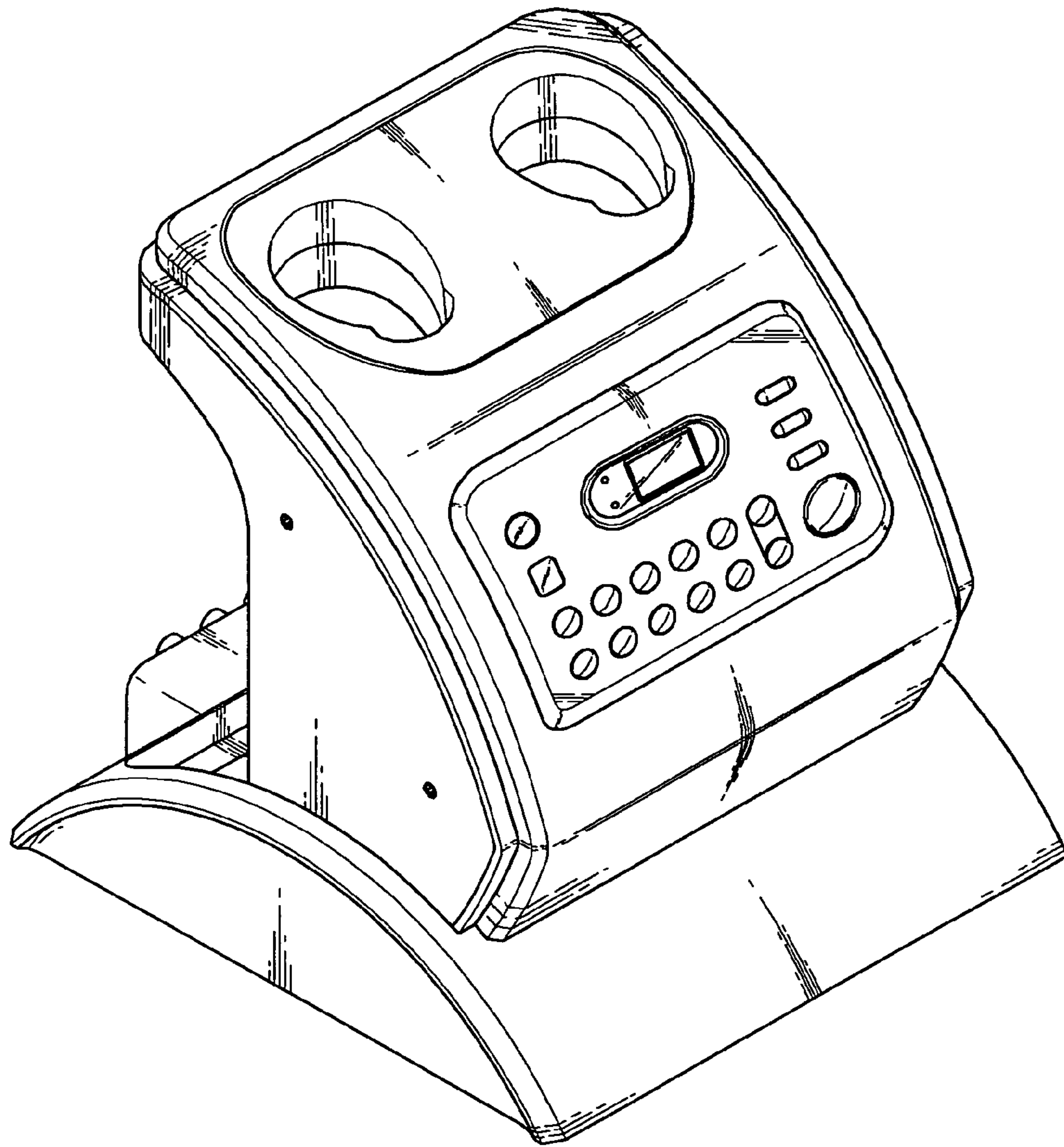


FIG. 2

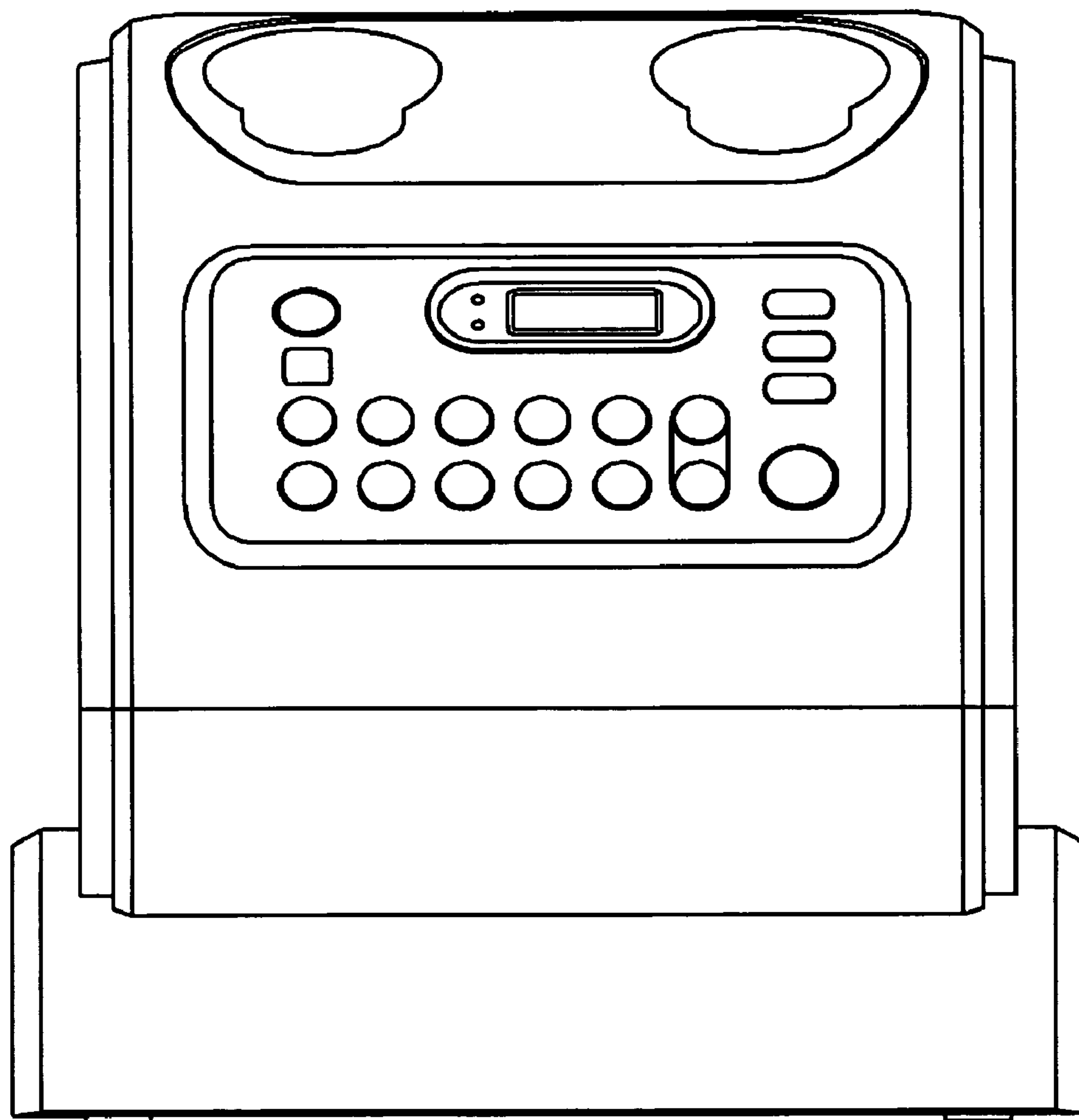


FIG. 3

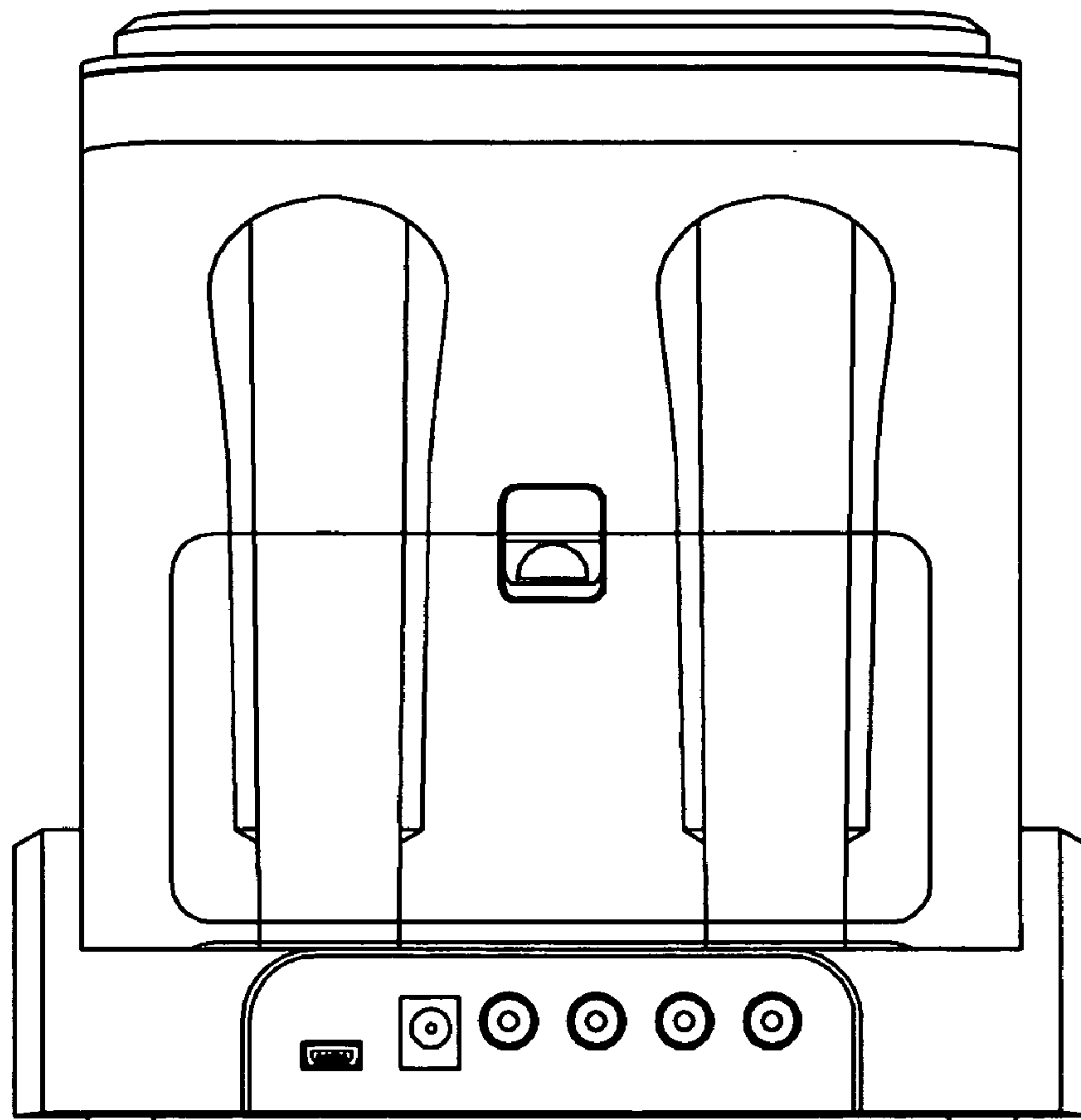


FIG. 4

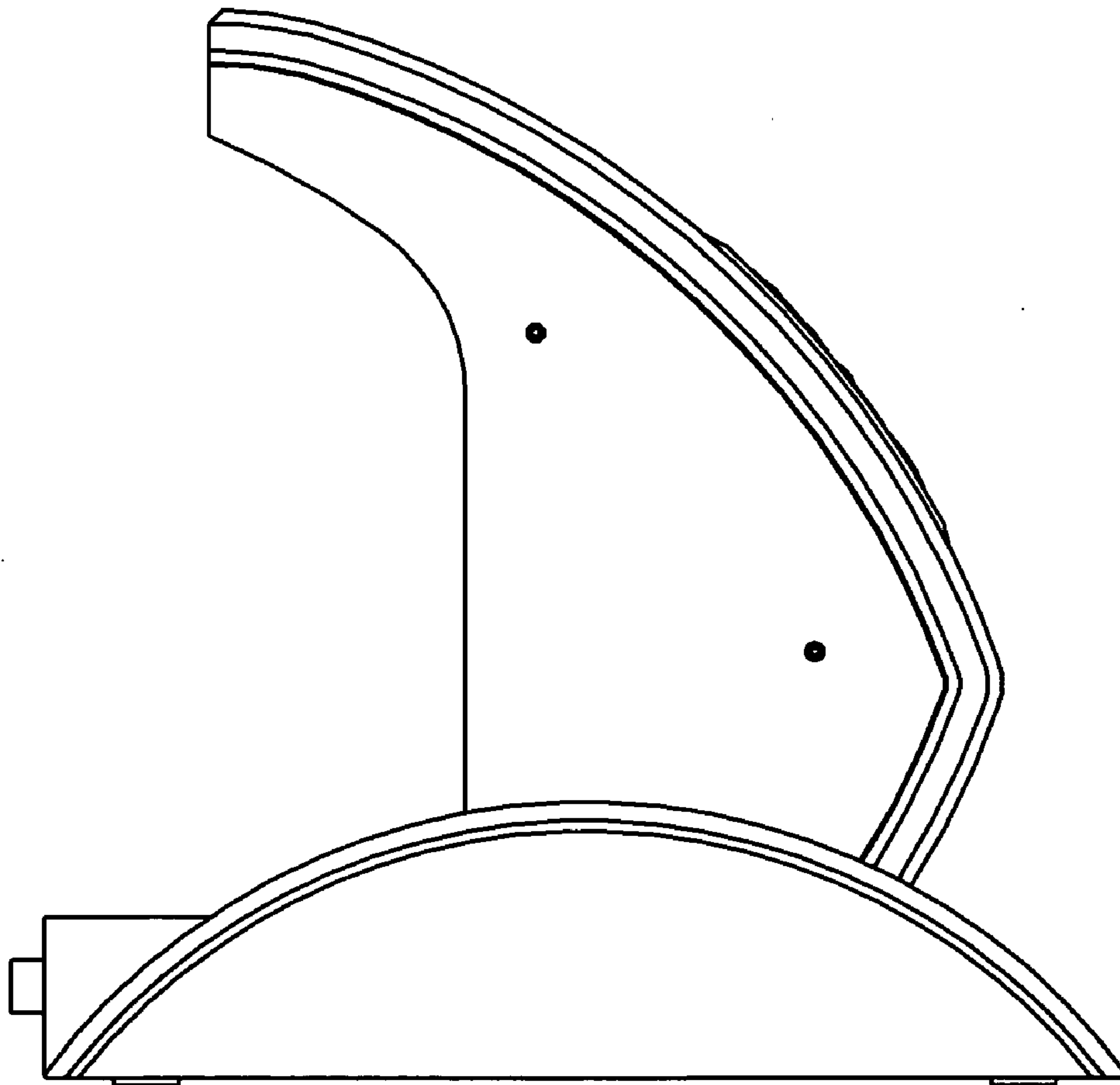


FIG. 5

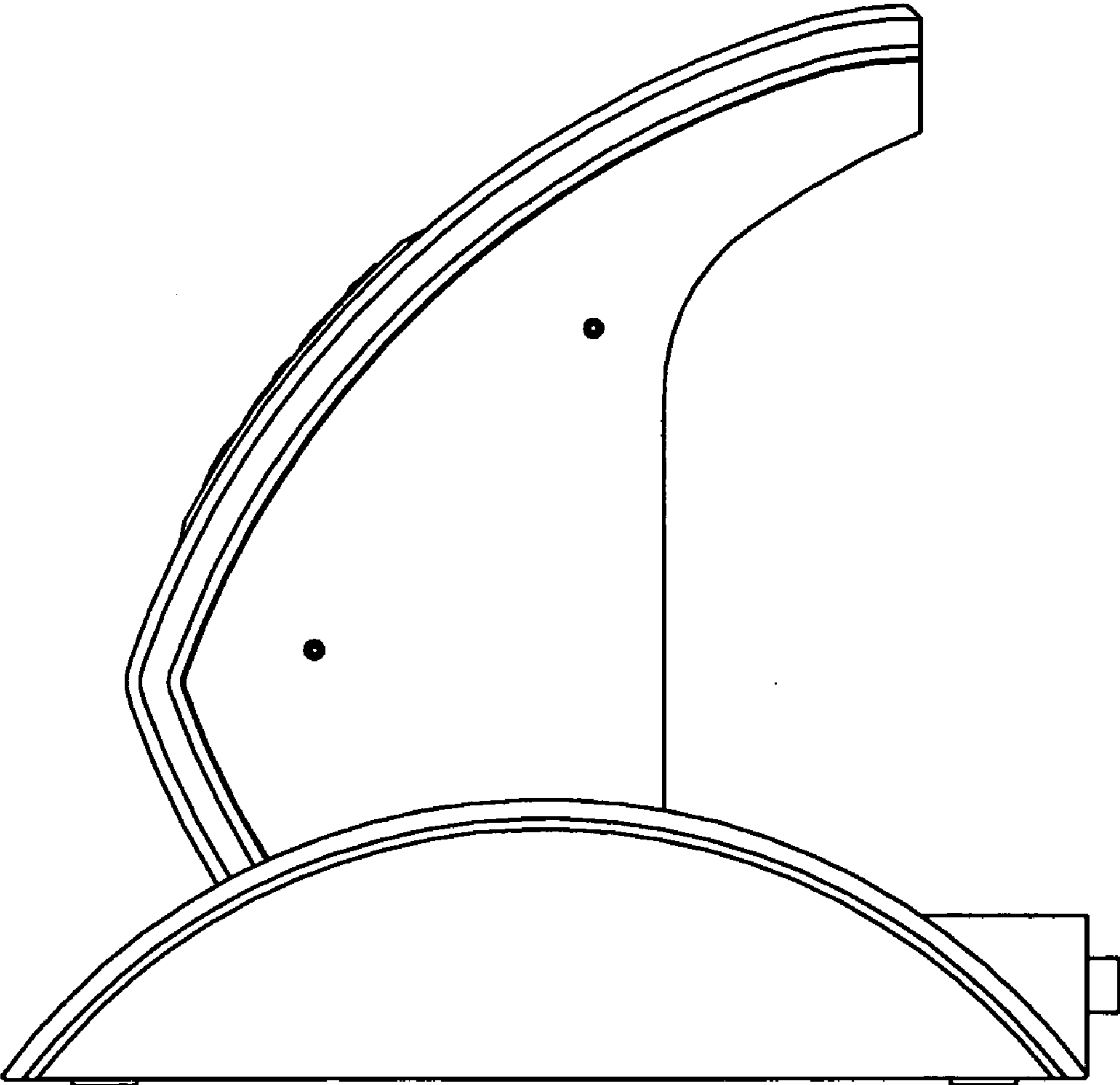


FIG.6

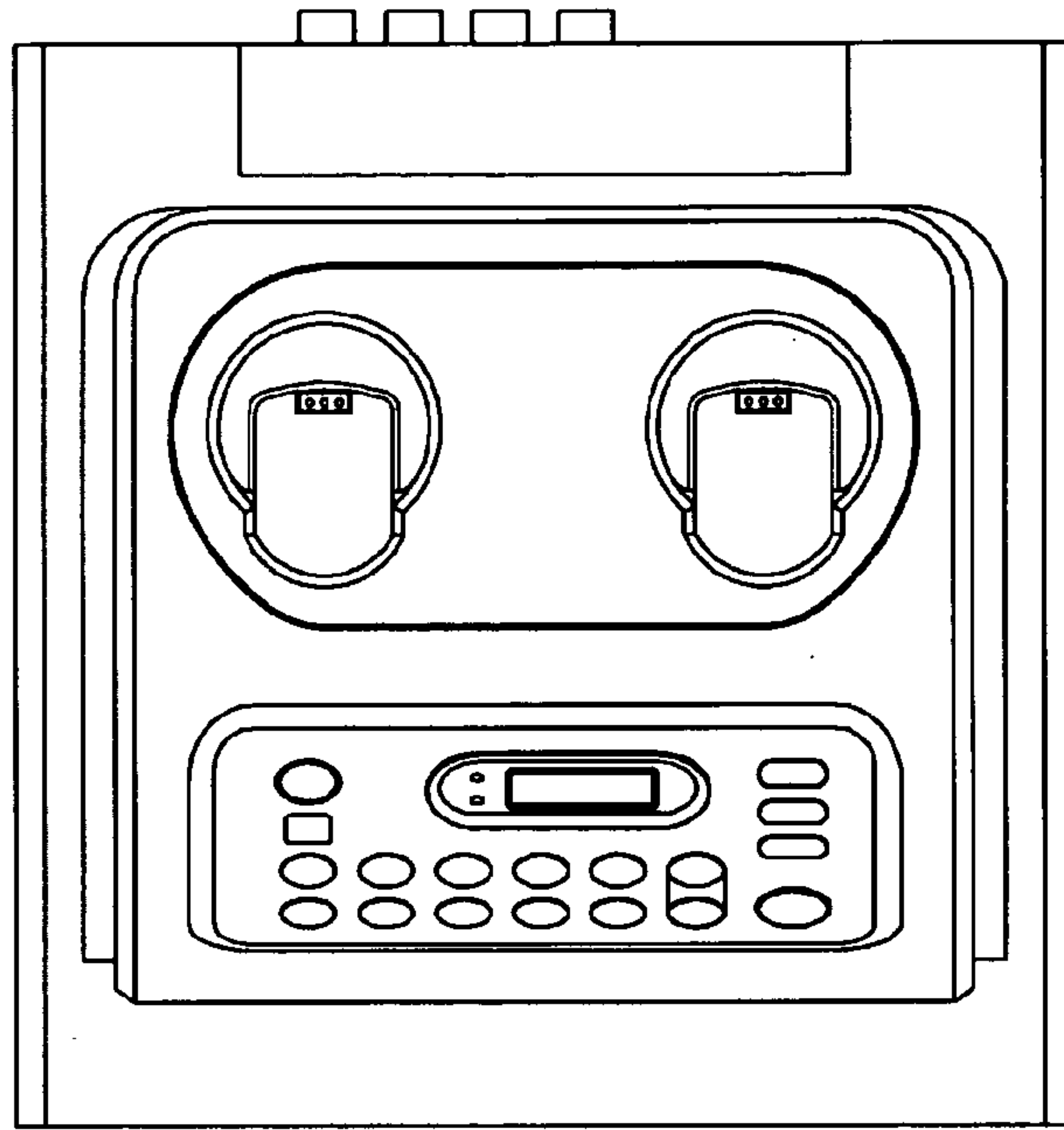


FIG.7

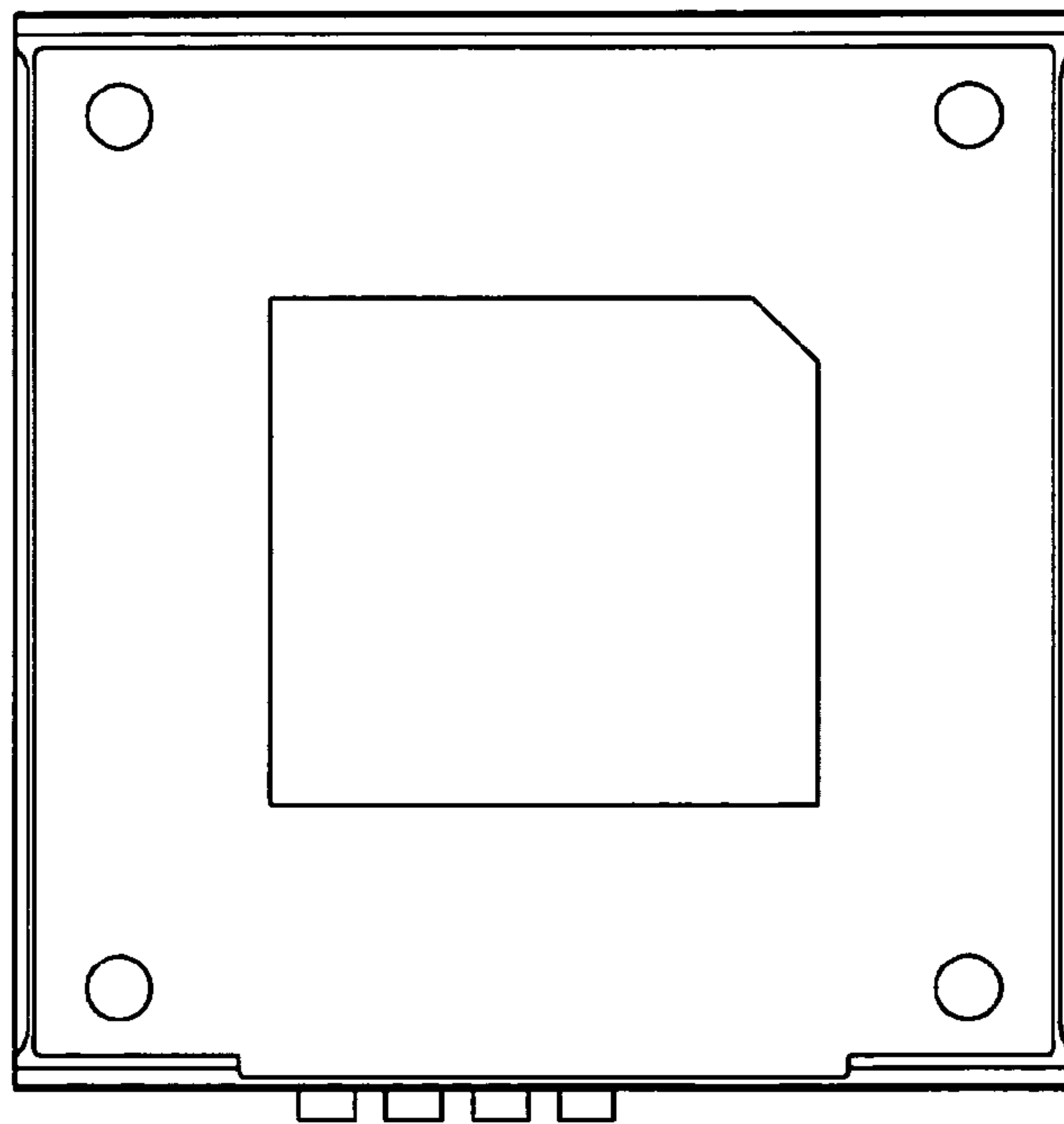


FIG. 8

