

US00D599325S

(12) **United States Design Patent**
Arneson et al.

(10) **Patent No.:** **US D599,325 S**

(45) **Date of Patent:** **** Sep. 1, 2009**

(54) **LOUDSPEAKER HORN**

(75) Inventors: **Jon M. Arneson**, Napa, CA (US);
Richard D. Herr, Berkeley, CA (US)

(73) Assignee: **Meyer Sound Laboratories, Incorporated**, Berkeley, CA (US)

(**) Term: **14 Years**

(21) Appl. No.: **29/325,937**

(22) Filed: **Oct. 8, 2008**

(51) **LOC (9) Cl.** **14-01**

(52) **U.S. Cl.** **D14/204**

(58) **Field of Classification Search** D14/204,
D14/207, 210–216, 172, 185–187; 181/143–144,
181/147–148, 150–153, 157, 198–199; 381/300–303,
381/306, 332–333, 336, 345, 361–364, 386–388
See application file for complete search history.

(56) **References Cited**

U.S. PATENT DOCUMENTS

| | | | | |
|--------------|---------|--------------|-------|---------|
| D182,351 S * | 3/1958 | Avedon | | D14/204 |
| D241,553 S * | 9/1976 | Renkus | | D14/204 |
| D249,941 S * | 10/1978 | Bremseth | | D14/204 |
| D264,841 S * | 6/1982 | Pickrel | | D14/204 |
| D274,328 S * | 6/1984 | Phelps | | D14/204 |
| D378,921 S * | 4/1997 | Bohannan | | D14/208 |
| D379,815 S * | 6/1997 | Bohannan | | D14/208 |
| 5,925,856 A | 7/1999 | Meyer et al. | | |
| D506,991 S * | 7/2005 | Chen | | D14/204 |

OTHER PUBLICATIONS

Group of Product Photos, CQ-2 P6 Horn, Meyer Sound Laboratories, Inc., product release circa 1996.

Group of Product Photos, UPA-1P Horn, Meyer Sound Laboratories, Inc., product release circa 1997.

Group of Product Photos, CQ-1 P4 Horn, Meyer Sound Laboratories, Inc., product release circa 1996.

Group of Product Photos, MSL-4 Horn, Meyer Sound Laboratories, Inc., product release circa 1995.

* cited by examiner

Primary Examiner—Nanda Bondade

(74) *Attorney, Agent, or Firm*—Donald L. Beeson; Beeson Skinner Beverly, LLP

(57) **CLAIM**

The ornamental design for a loudspeaker horn, as shown and described.

DESCRIPTION

FIG. 1 is a front top perspective view of a loudspeaker horn showing our new design;

FIG. 2 is a rear top perspective view thereof;

FIG. 3 is a front elevational view thereof;

FIG. 4 is a right side elevational view thereof, the left side being a mirror image;

FIG. 5 is a rear elevational view thereof;

FIG. 6 is a top plan view thereof; and,

FIG. 7 is a bottom plan view thereof.

1 Claim, 4 Drawing Sheets

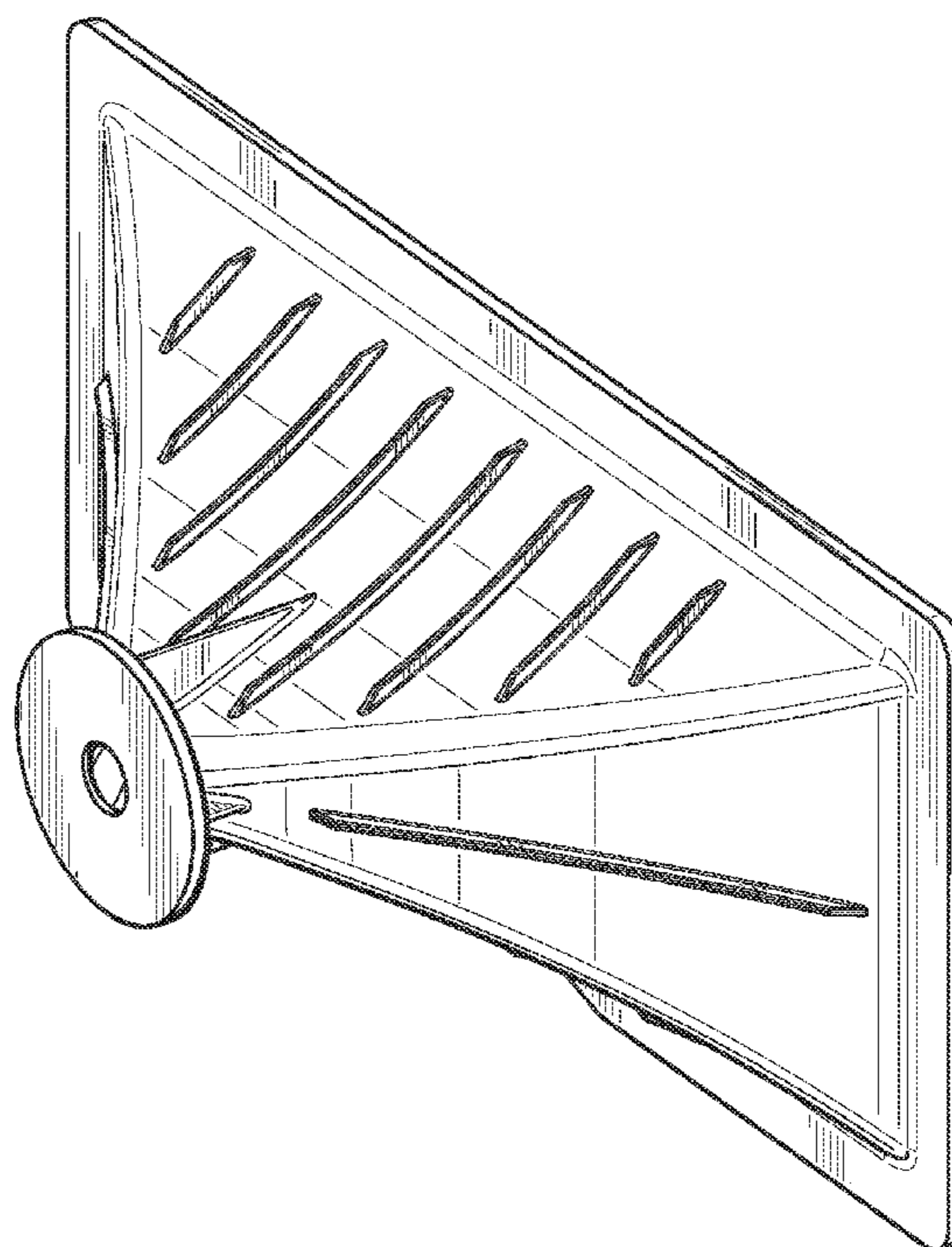
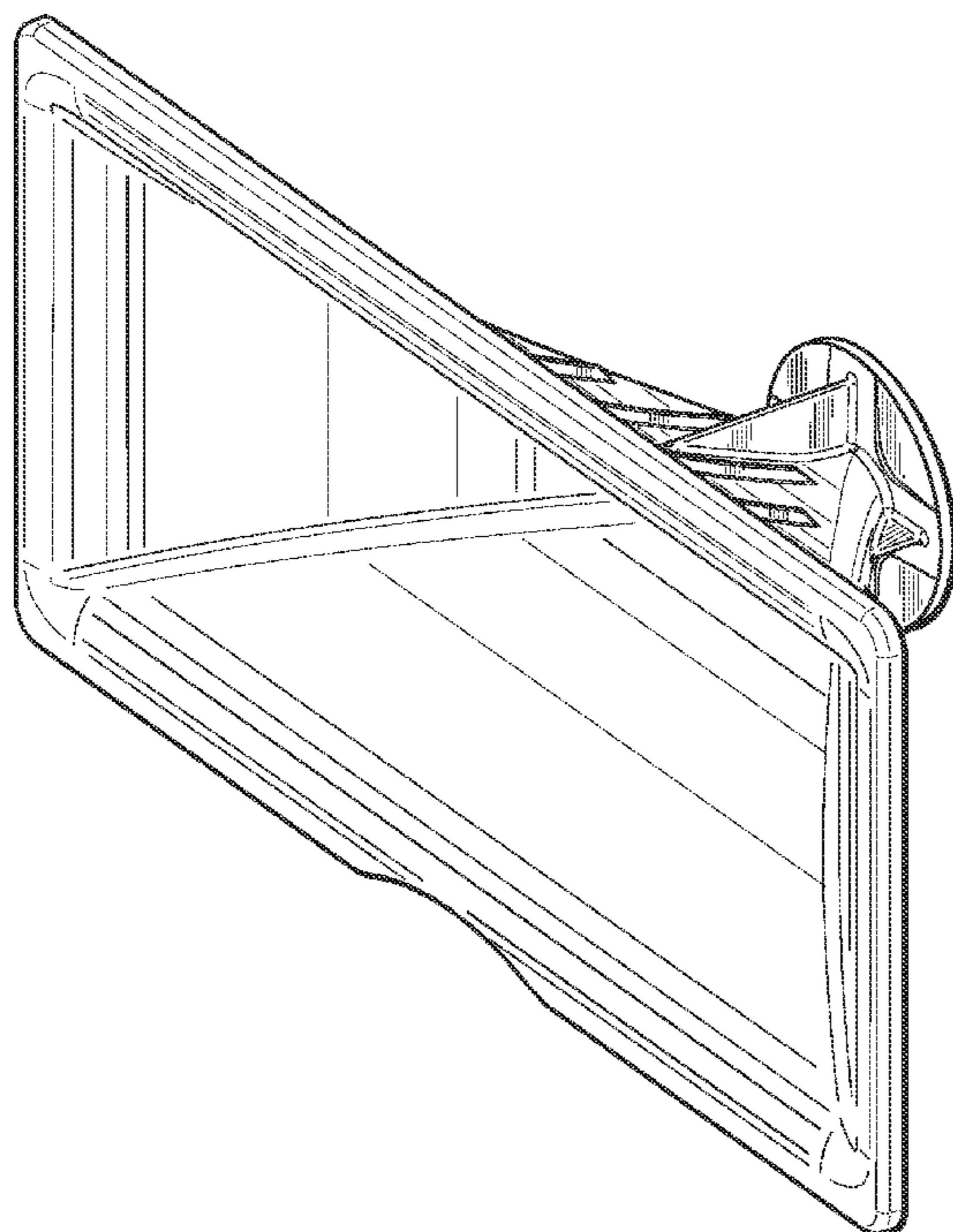


FIG. 1

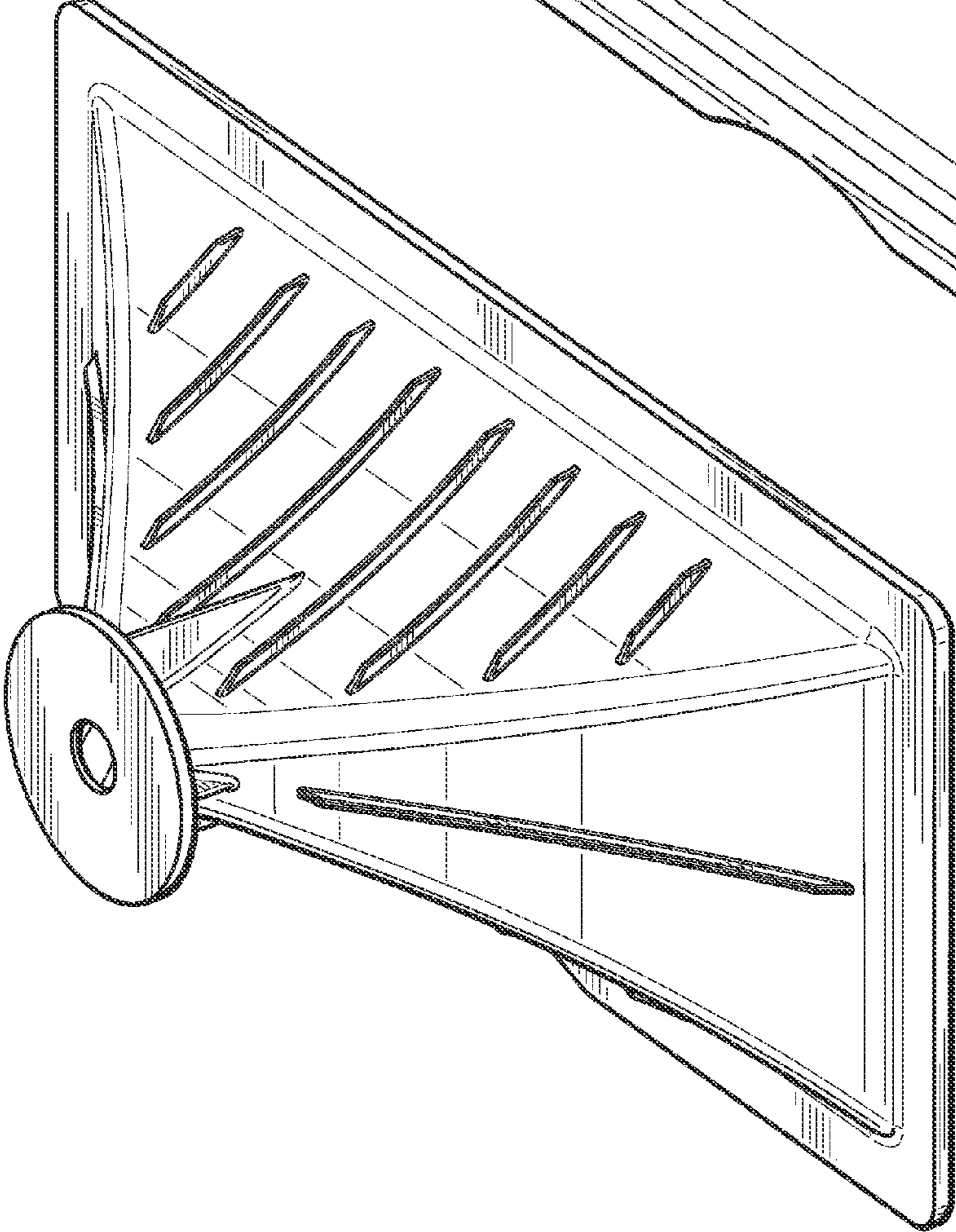
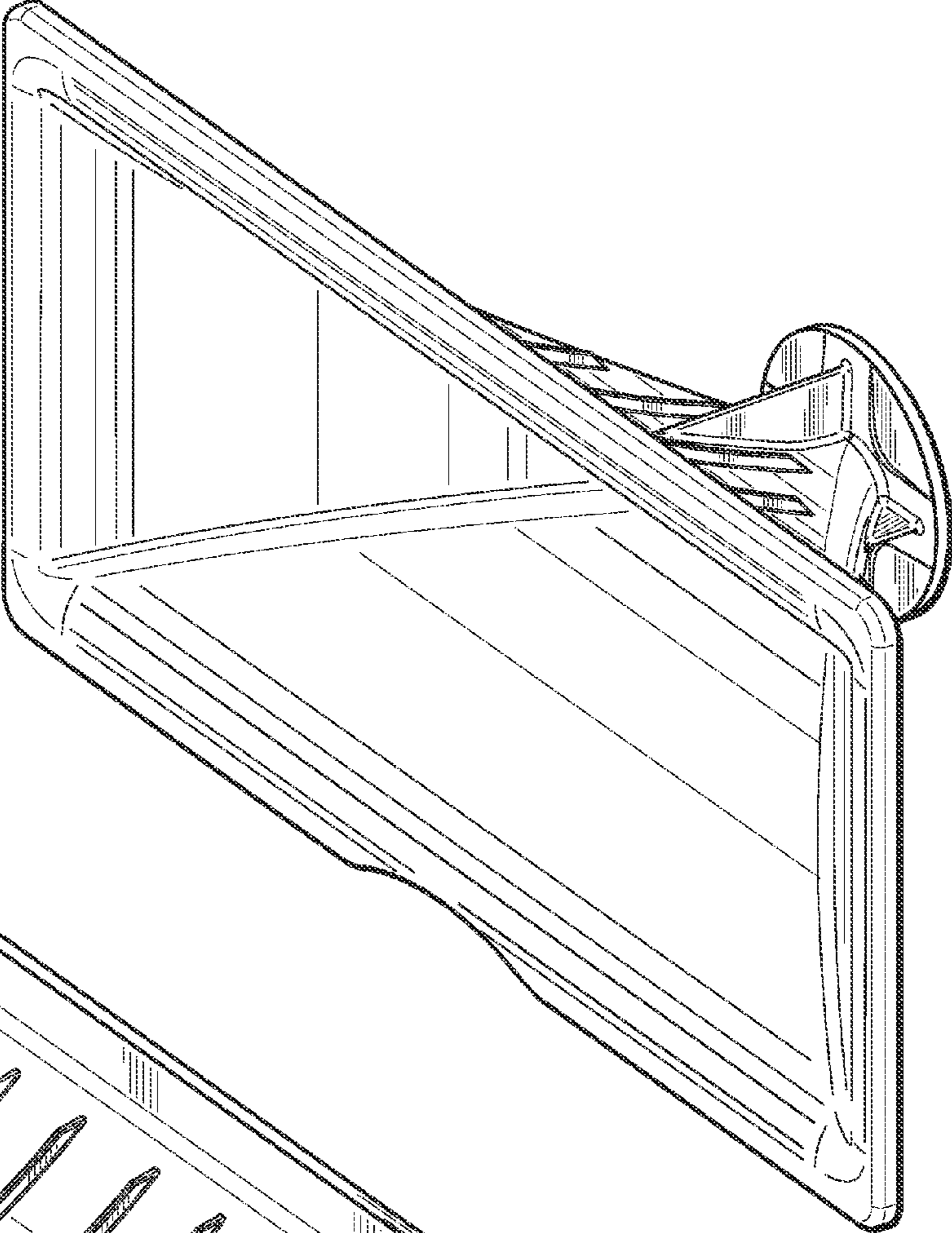


FIG. 2

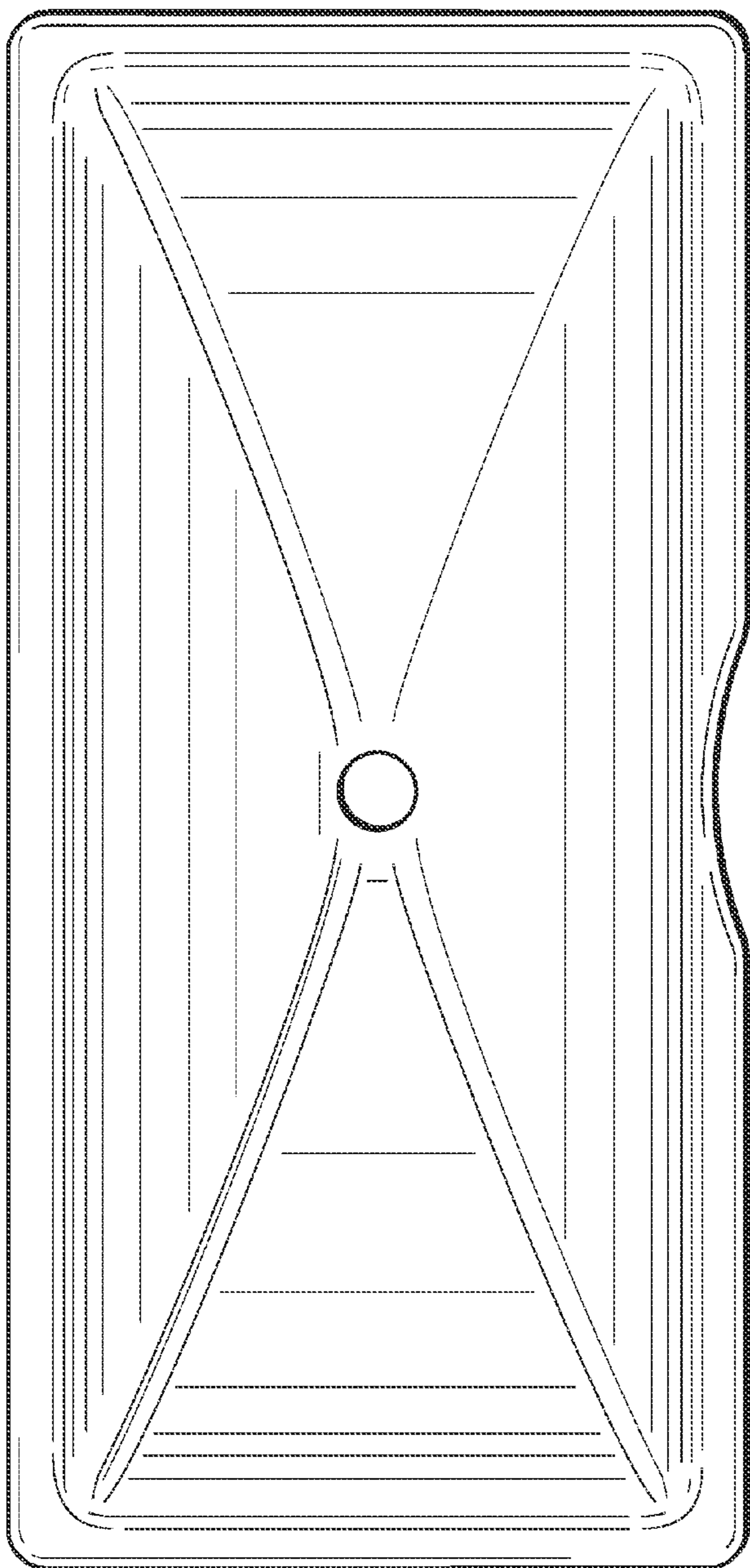


FIG. 3

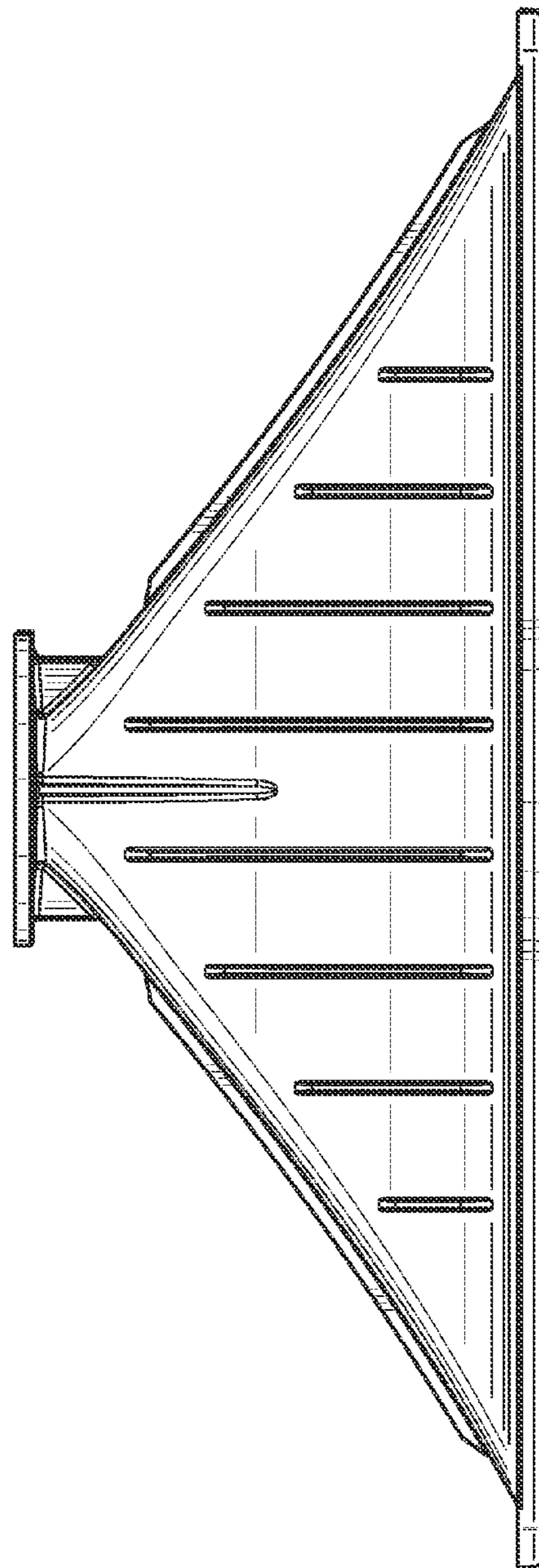


FIG. 7

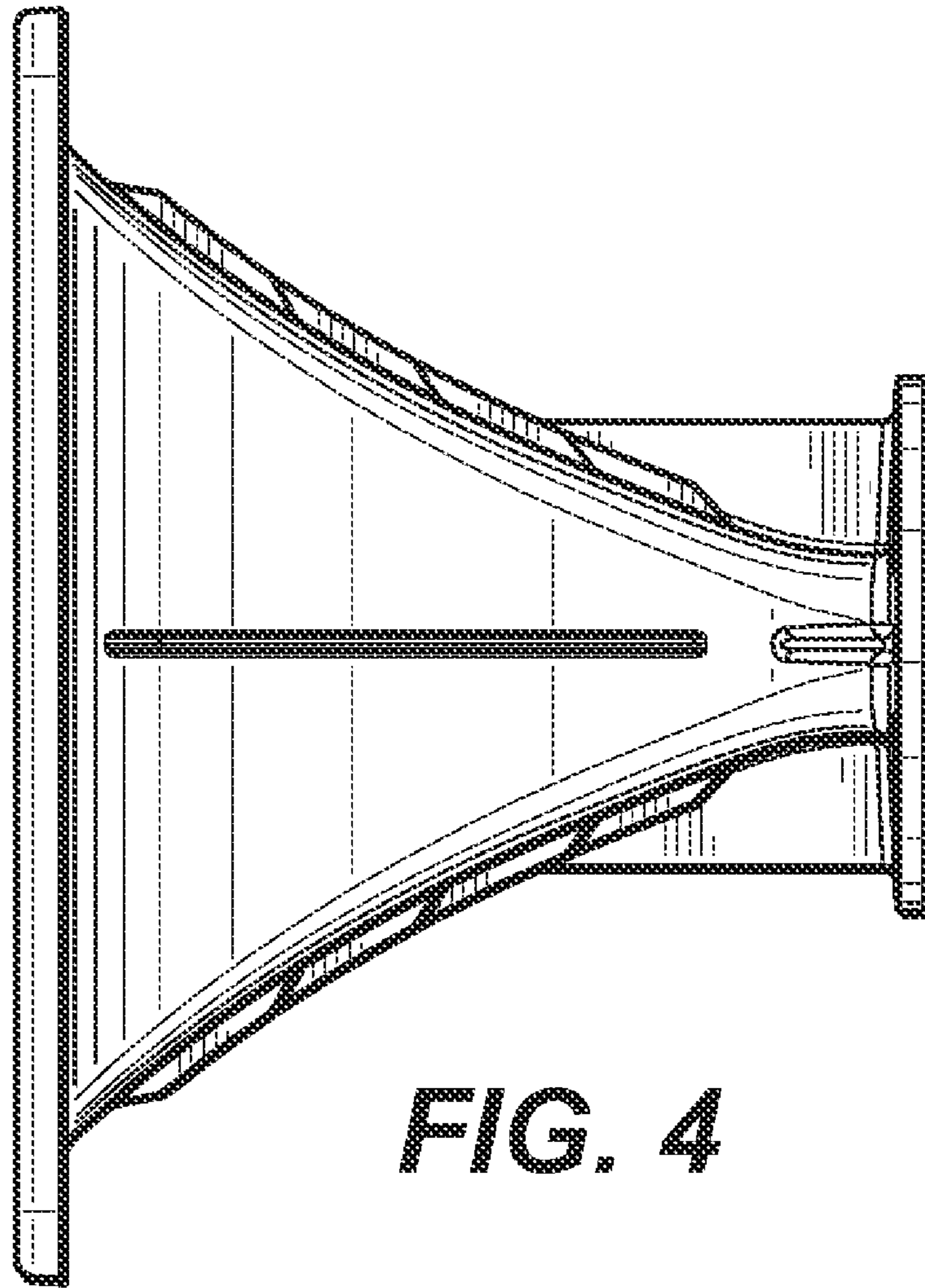


FIG. 4

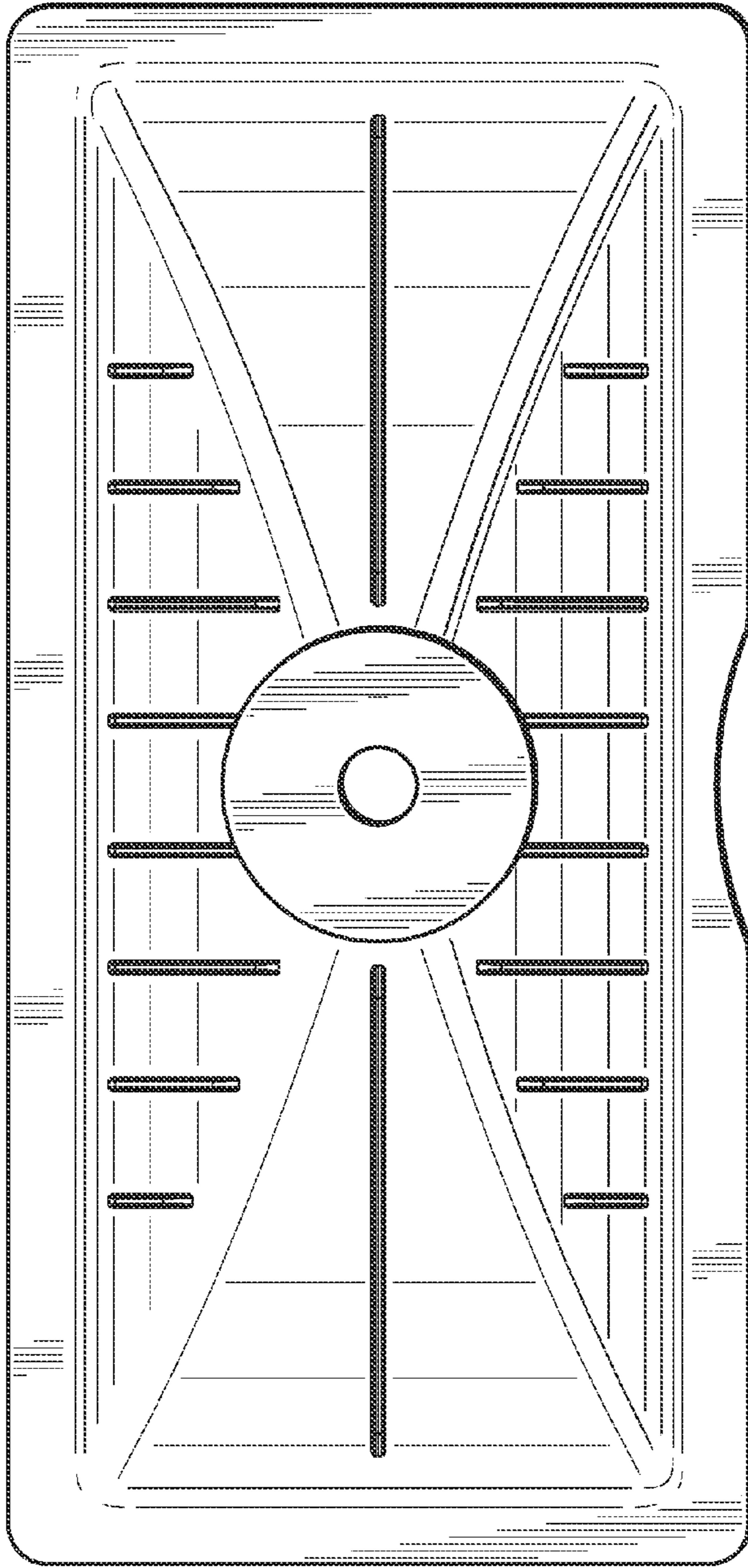


FIG. 5

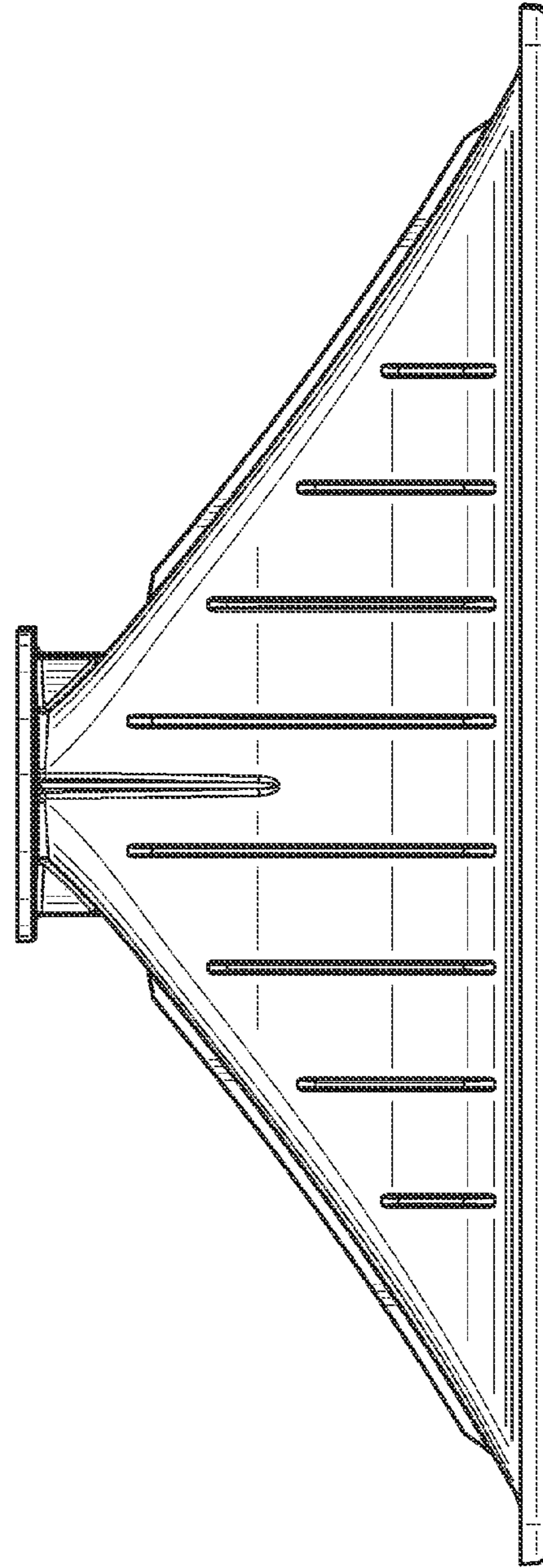


FIG. 6