



US00D599324S

(12) **United States Design Patent**
Shen

(10) **Patent No.:** **US D599,324 S**

(45) **Date of Patent:** **** Sep. 1, 2009**

(54) **WIRELESS AMPLIFIER**

(75) Inventor: **Chun-Liang Shen**, Dali (TW)

(73) Assignee: **E-J Electronics Co., Ltd.**, Taichung County (TW)

(**) Term: **14 Years**

(21) Appl. No.: **29/283,050**

(22) Filed: **Aug. 4, 2007**

(51) **LOC (9) Cl.** **14-03**

(52) **U.S. Cl.** **D14/196**

(58) **Field of Classification Search** D14/168,
D14/169, 179, 188, 194-198, 217, 257, 265,
D14/299; 330/1 R, 3, 4, 250; 381/86, 120;
455/344-351

See application file for complete search history.

(56) **References Cited**

U.S. PATENT DOCUMENTS

D257,037 S *	9/1980	Skulski	D14/195
D409,194 S *	5/1999	Ridinger	D14/188
D439,238 S *	3/2001	Mackie et al.	D14/214
D451,084 S *	11/2001	Su	D14/188
D471,175 S *	3/2003	Lo	D14/185
D484,115 S *	12/2003	Nishii et al.	D14/215

D519,105 S * 4/2006 Masui D14/214
2004/0247142 A1 * 12/2004 Sawhney et al. 381/120

* cited by examiner

Primary Examiner—Stella M Reid

Assistant Examiner—Keli L Hill

(74) *Attorney, Agent, or Firm*—Banger Shia

(57) **CLAIM**

The ornamental design for a wireless amplifier, as shown and described.

DESCRIPTION

FIG. 1 is a perspective view of a wireless amplifier showing my new design;

FIG. 2 is a front elevational view thereof;

FIG. 3 is a rear elevational view thereof;

FIG. 4 is a left side elevational view thereof;

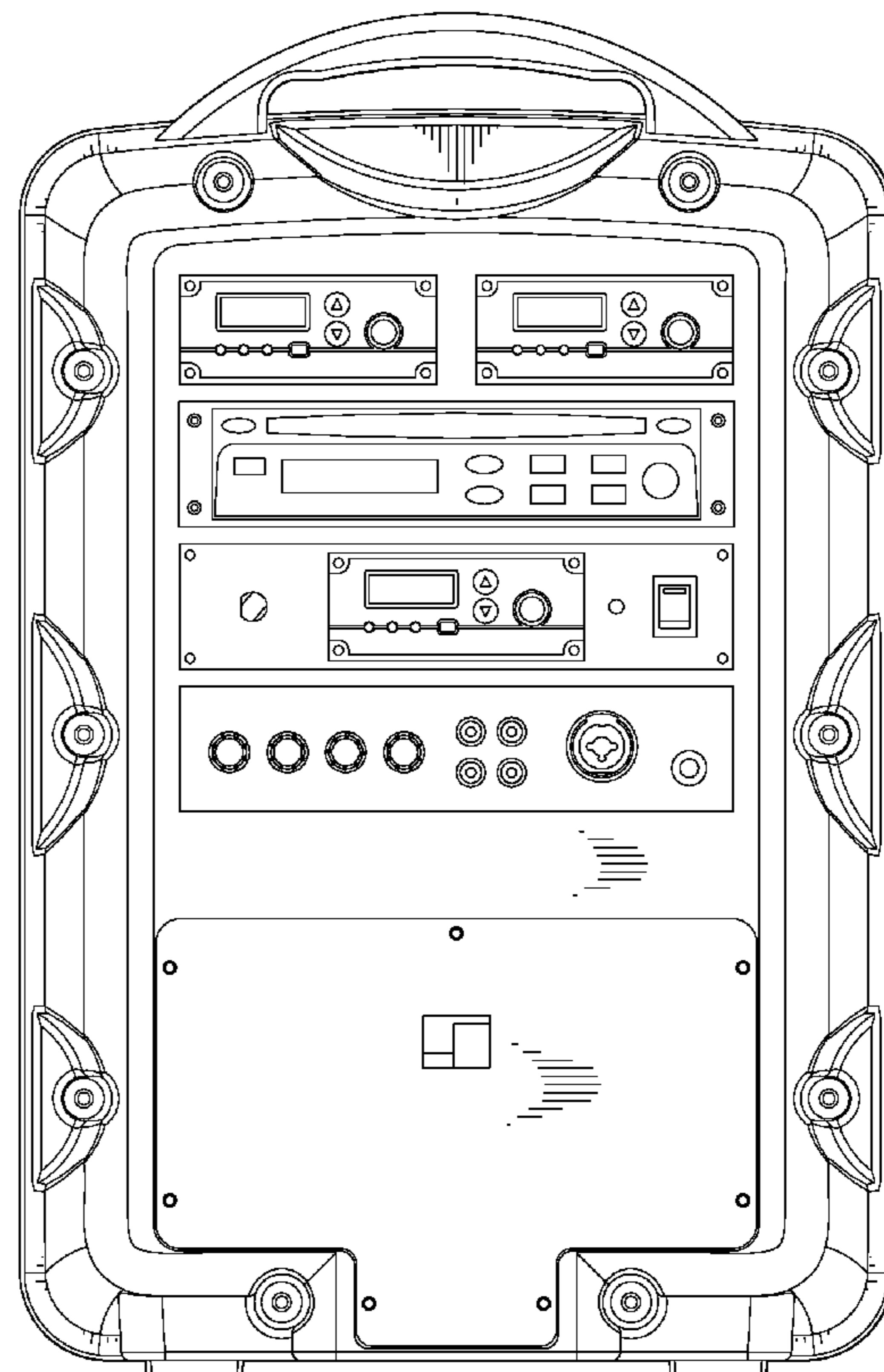
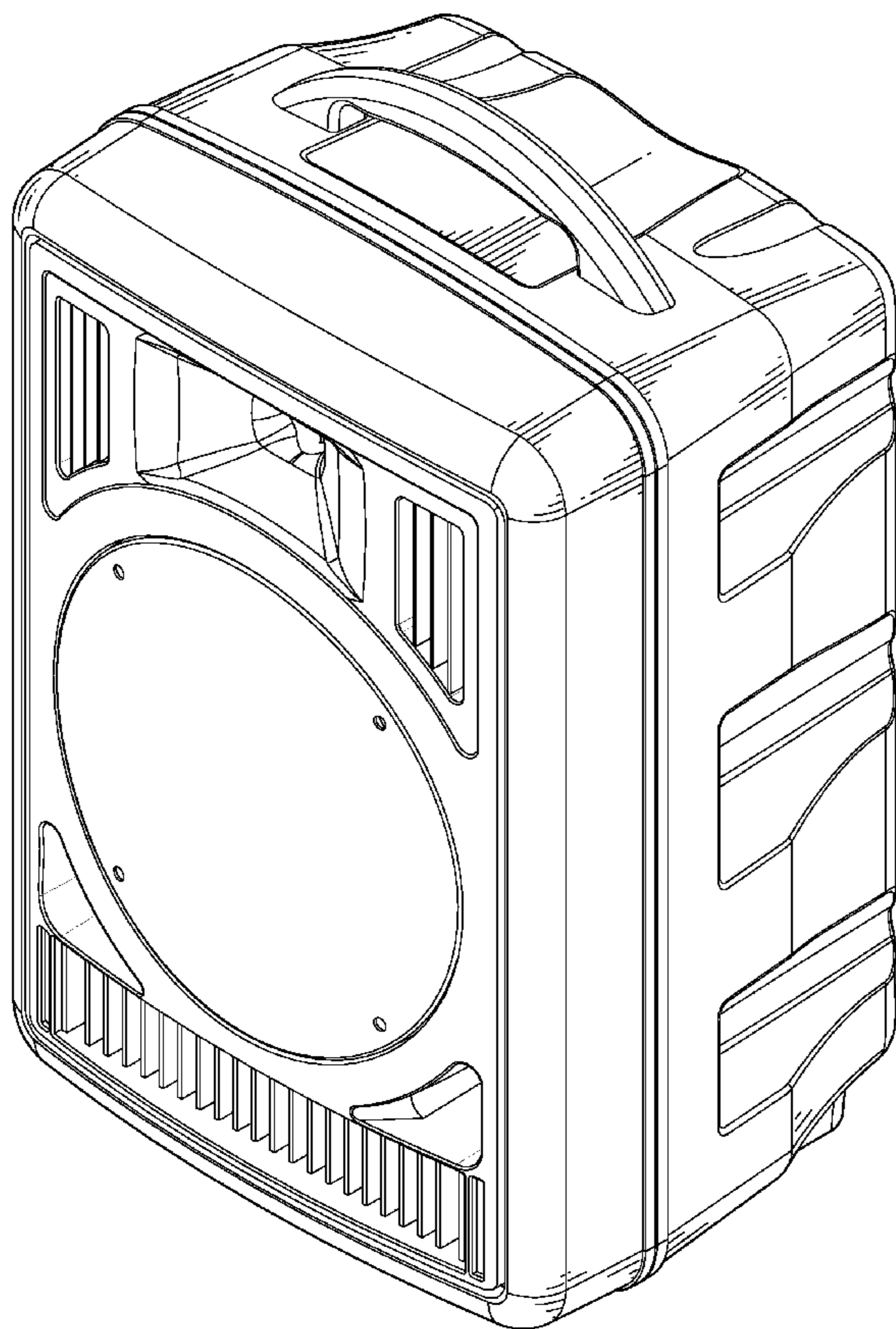
FIG. 5 is a right side elevational view thereof;

FIG. 6 is a top plan view thereof; and,

FIG. 7 is a bottom plan view to that shown.

The broken lines represent the portions of the design that form no part of the claim.

1 Claim, 7 Drawing Sheets



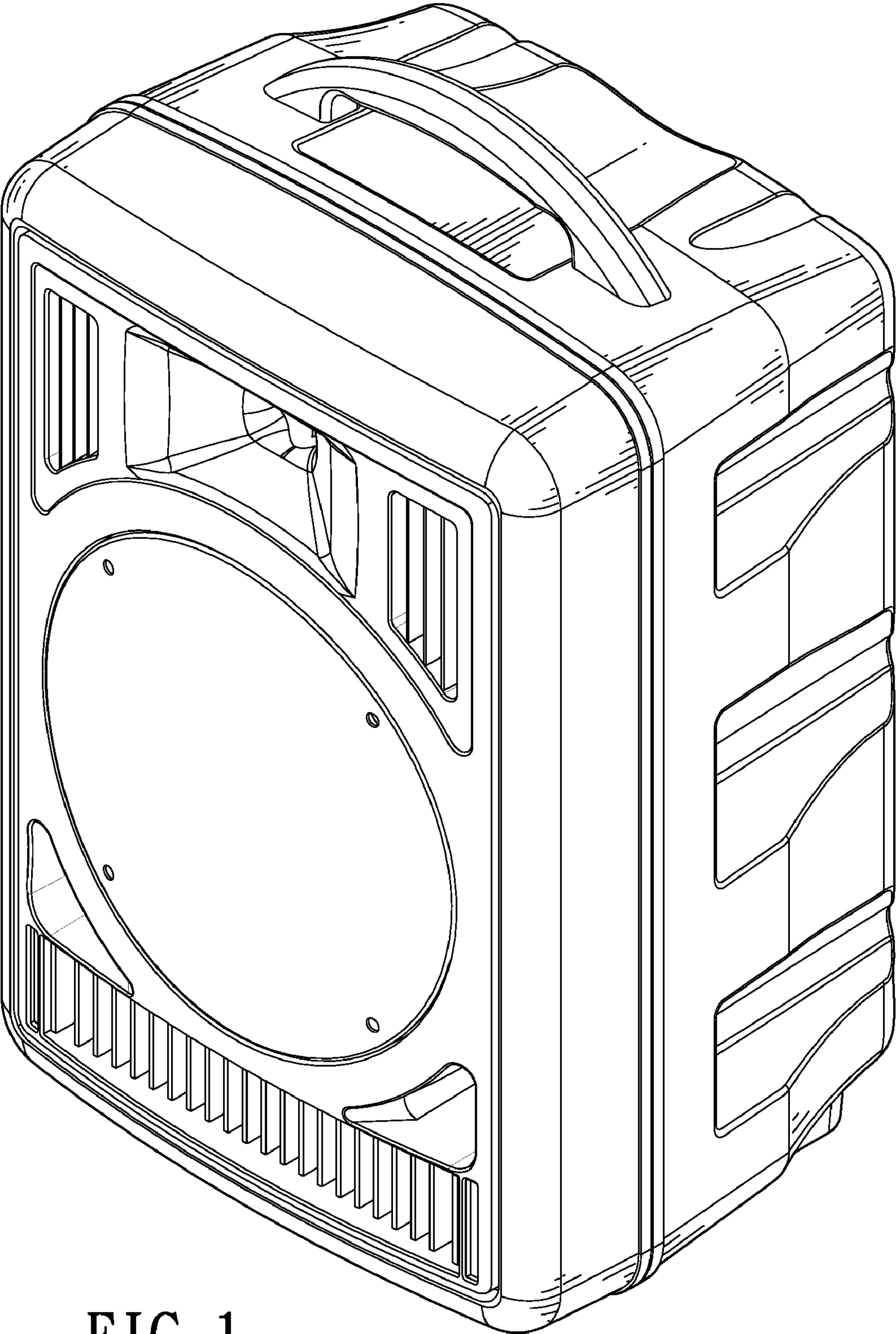


FIG. 1

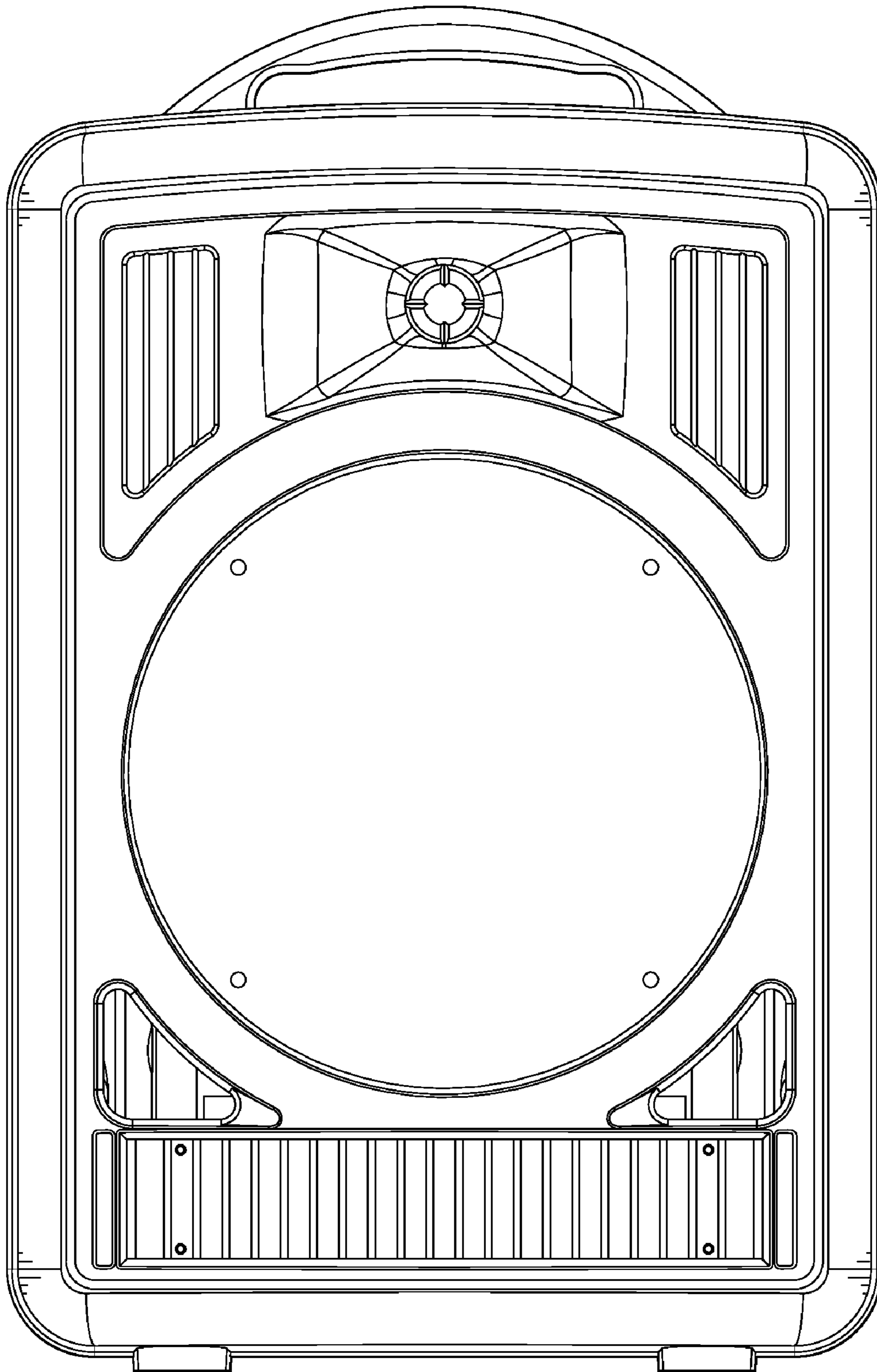


FIG. 2

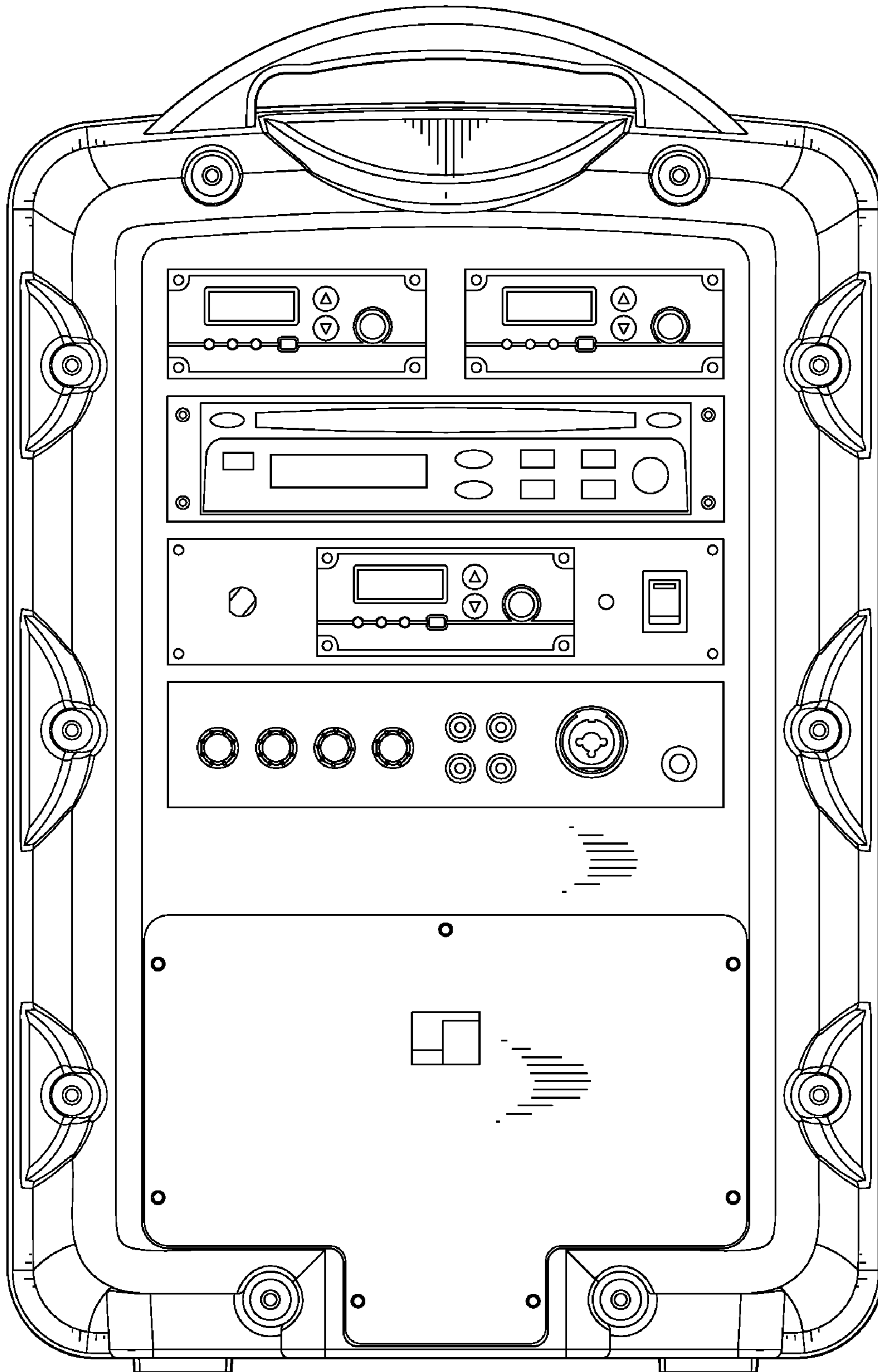


FIG. 3

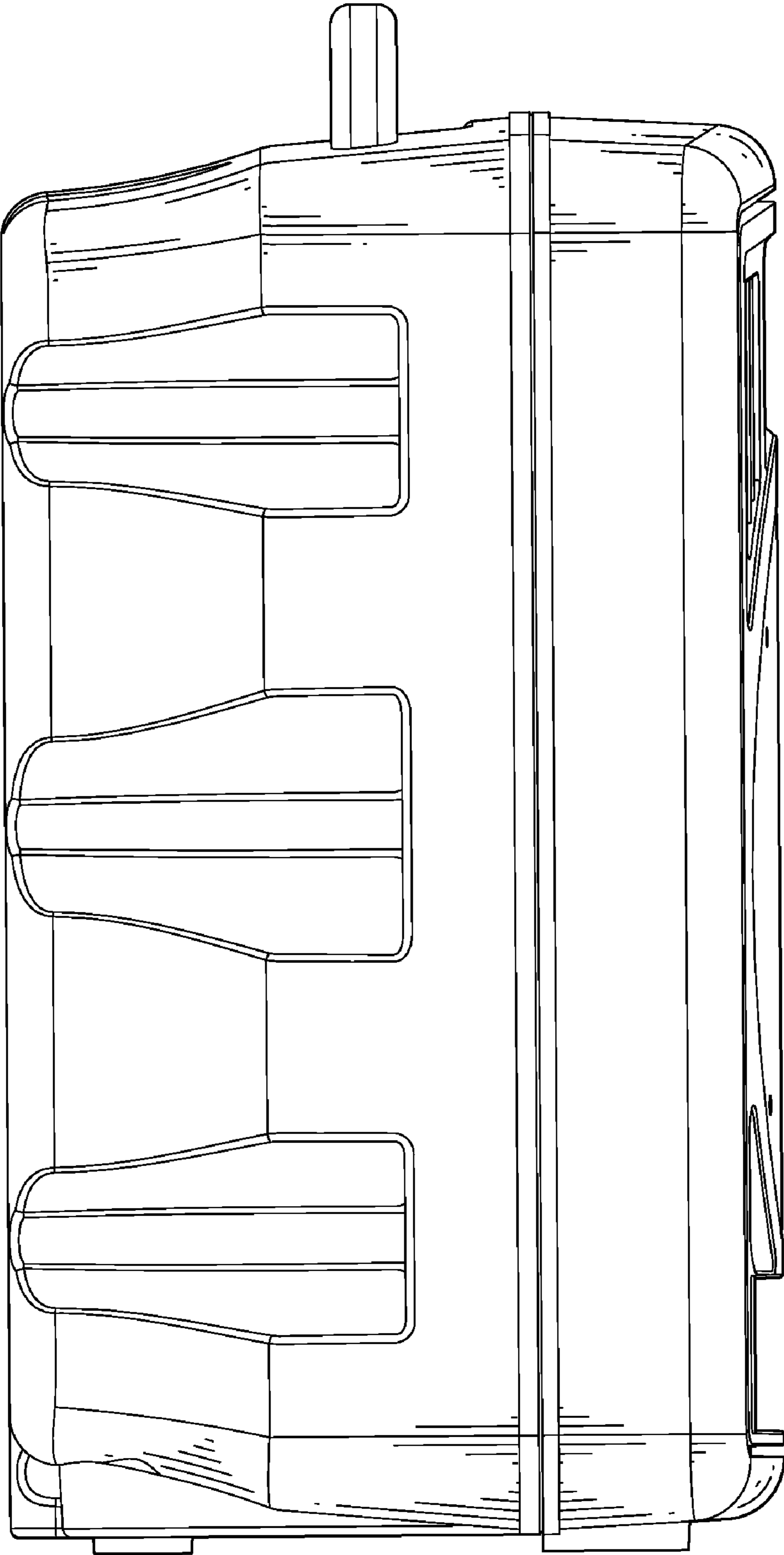


FIG. 4

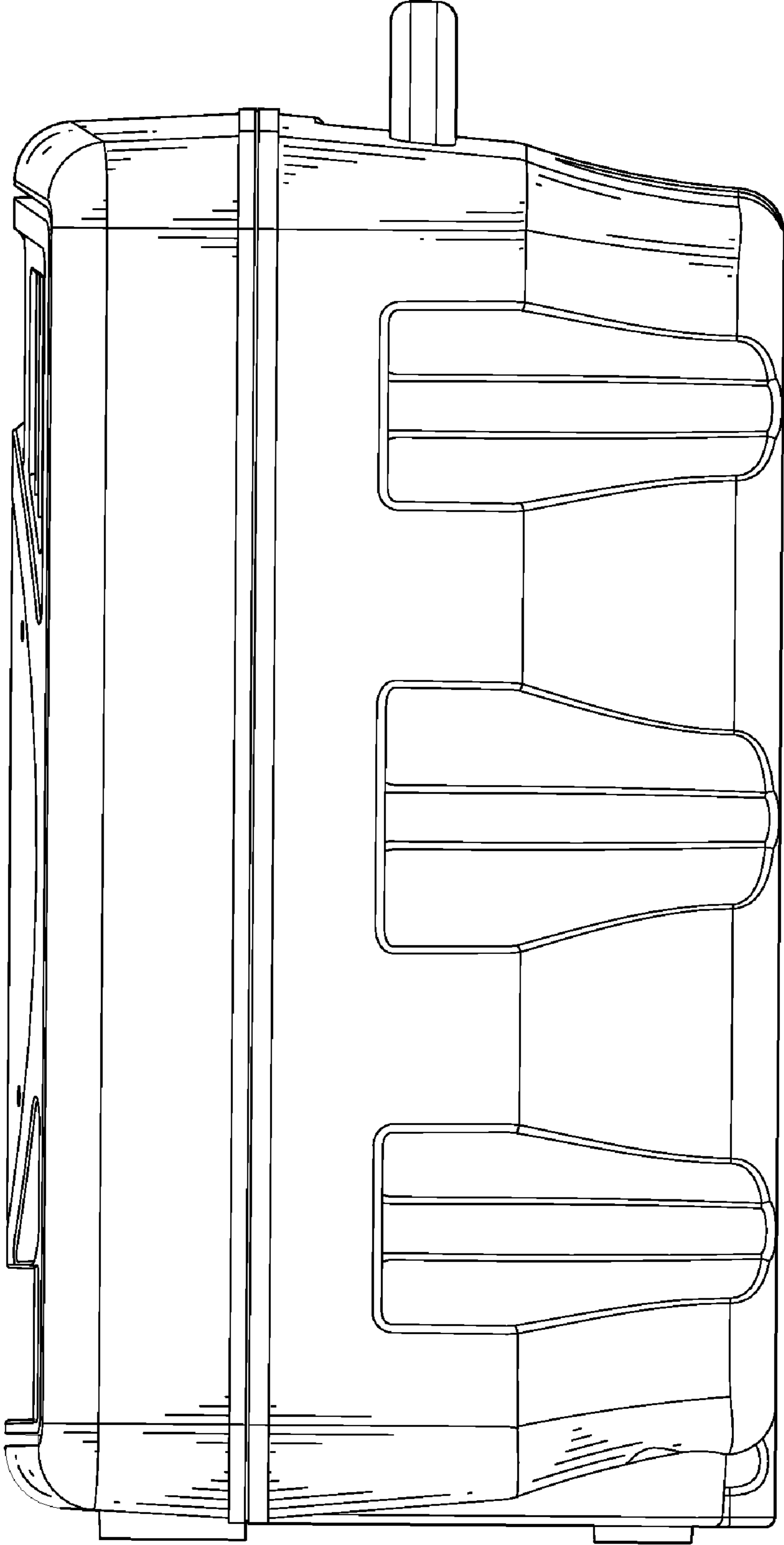


FIG. 5

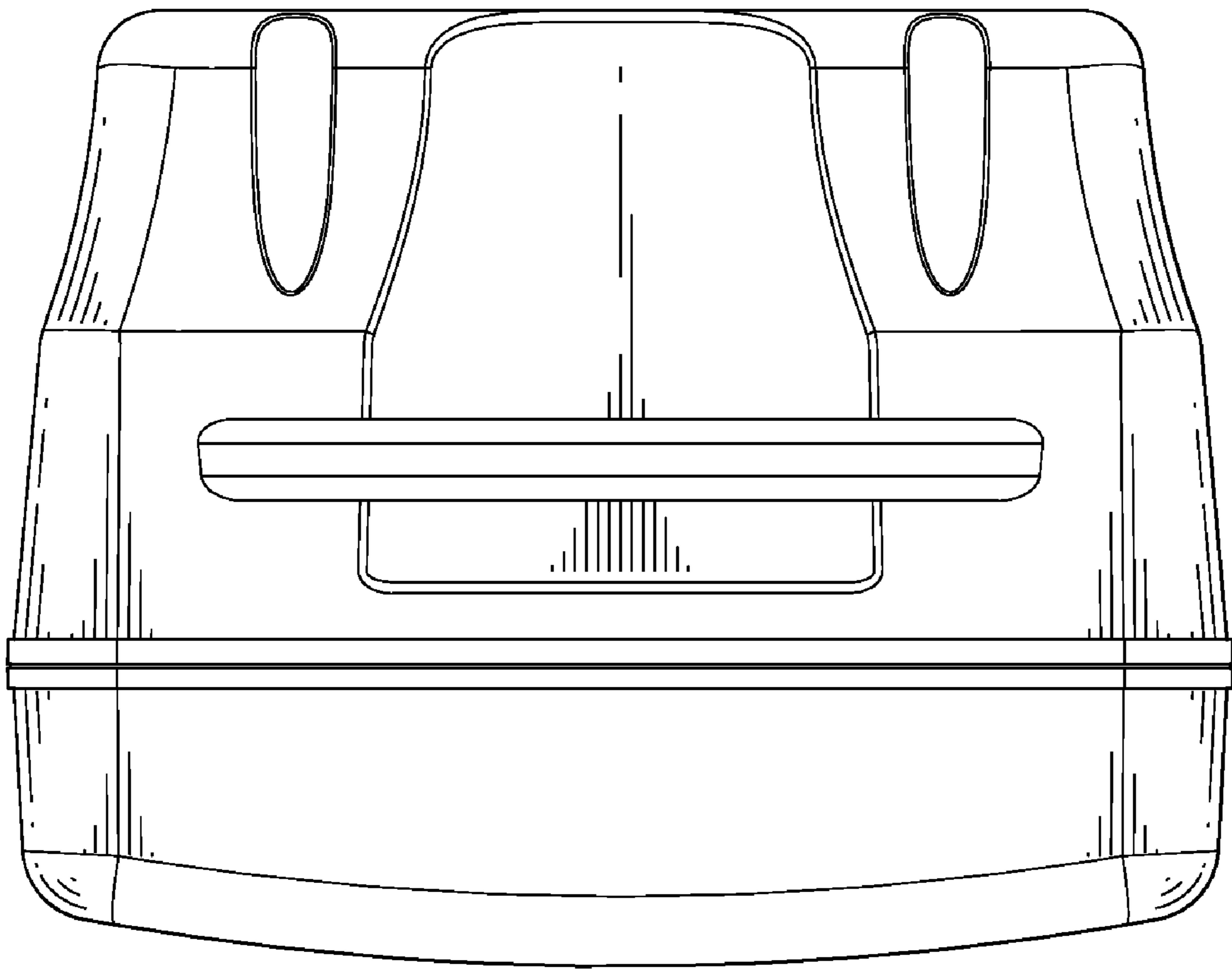


FIG. 6

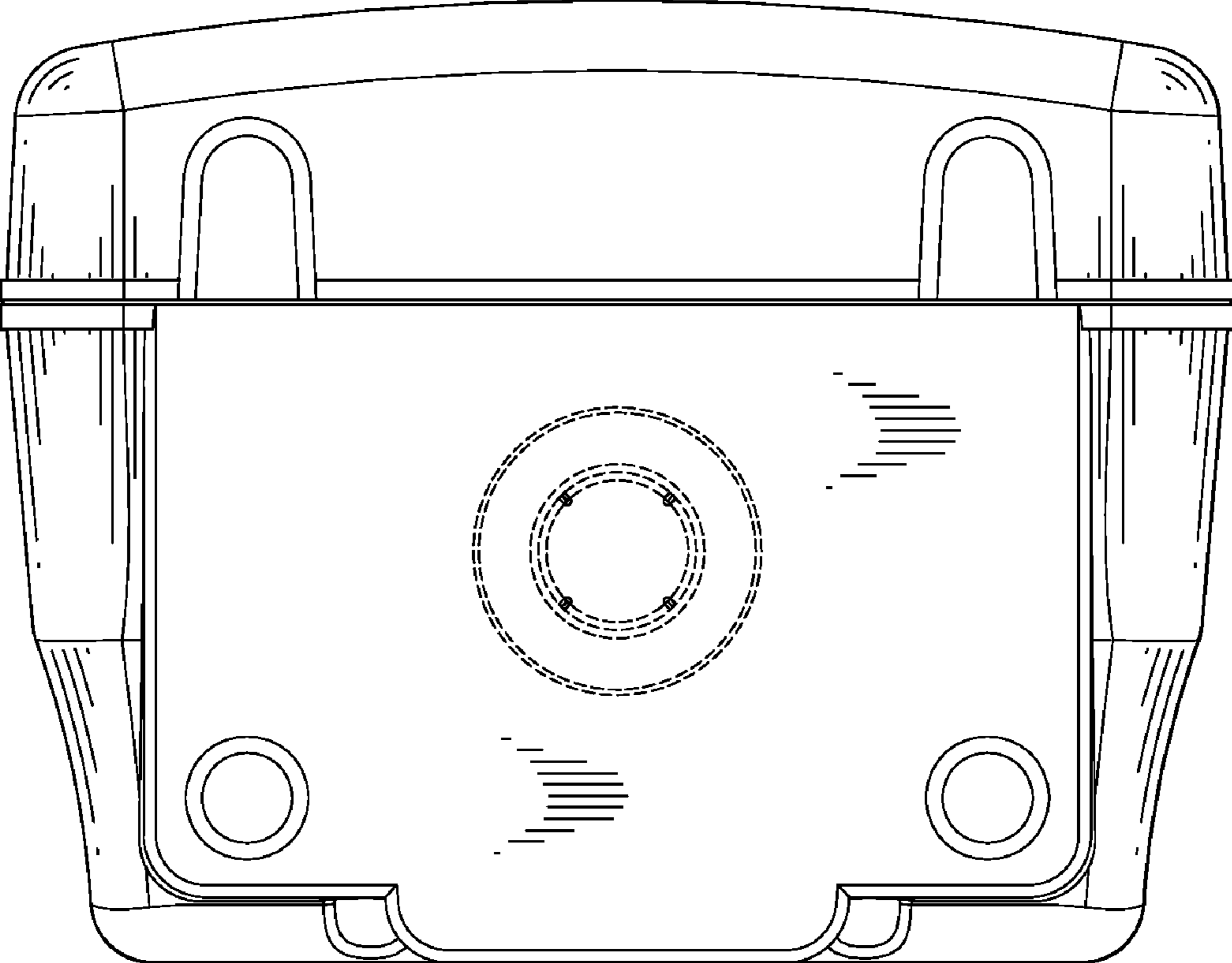


FIG. 7