



US00D599322S

(12) **United States Design Patent**
Zheng

(10) **Patent No.:** **US D599,322 S**
(45) **Date of Patent:** **** Sep. 1, 2009**

(54) **OPTICAL DISC PLAYER WITH RADIO RECEIVER**

(75) Inventor: **Qi Zheng**, Tokyo (JP)

(73) Assignee: **Sony Corporation**, Tokyo (JP)

(**) Term: **14 Years**

(21) Appl. No.: **29/319,931**

(22) Filed: **Jun. 17, 2008**

(30) **Foreign Application Priority Data**

Dec. 27, 2007 (JP) 2007-036030

(51) **LOC (9) Cl.** **14-01**

(52) **U.S. Cl.** **D14/168**

(58) **Field of Classification Search** D14/496,
D14/498, 500-509, 168, 197-198, 188, 172,
D14/214-215; 360/99.02, 99.07; 369/75.11,
369/75.21, 77.21, 77.11; 720/612, 619, 647,
720/655; 455/344, 347-351

See application file for complete search history.

(56) **References Cited**

U.S. PATENT DOCUMENTS

D430,135 S * 8/2000 Isonaga D14/168
D454,856 S * 3/2002 Kobayashi D14/168
D505,409 S * 5/2005 Hirano D14/168
D560,657 S * 1/2008 Langberg et al. D14/217
D561,741 S * 2/2008 Huang D14/215

OTHER PUBLICATIONS

U.S. Appl. No, 29/297,488, filed Nov. 13, 2007, Zheng.
U.S. Appl. No, 29/309,065, filed Jun. 17, 2008, Zheng.
U.S. Appl. No, 29/319,931, filed Jun. 17, 2008, Zheng.

* cited by examiner

Primary Examiner—Nanda Bondade
(74) *Attorney, Agent, or Firm*—Oblon, Spivak, McClelland,
Maier & Neustadt, P.C.

(57) **CLAIM**

The new, original, and ornamental design for an optical disc player with radio receiver, as shown and described.

DESCRIPTION

FIG. 1 is a front elevational view of a first embodiment of an optical disc player with radio receiver, showing my new design;

FIG. 2 is a rear elevational view thereof;

FIG. 3 is a right side elevational view thereof;

FIG. 4 is a left side elevational view thereof;

FIG. 5 is a top plan view thereof;

FIG. 6 is a bottom plan view thereof;

FIG. 7 is a sectional view along line 7—7 shown in FIG. 1;

FIG. 8 is a sectional view along line 8—8 shown in FIG. 1;

FIG. 9 is a sectional view along line 8—8 shown in FIG. 1, depicted in an operational state;

FIG. 10 is a top, front, and right perspective view thereof;

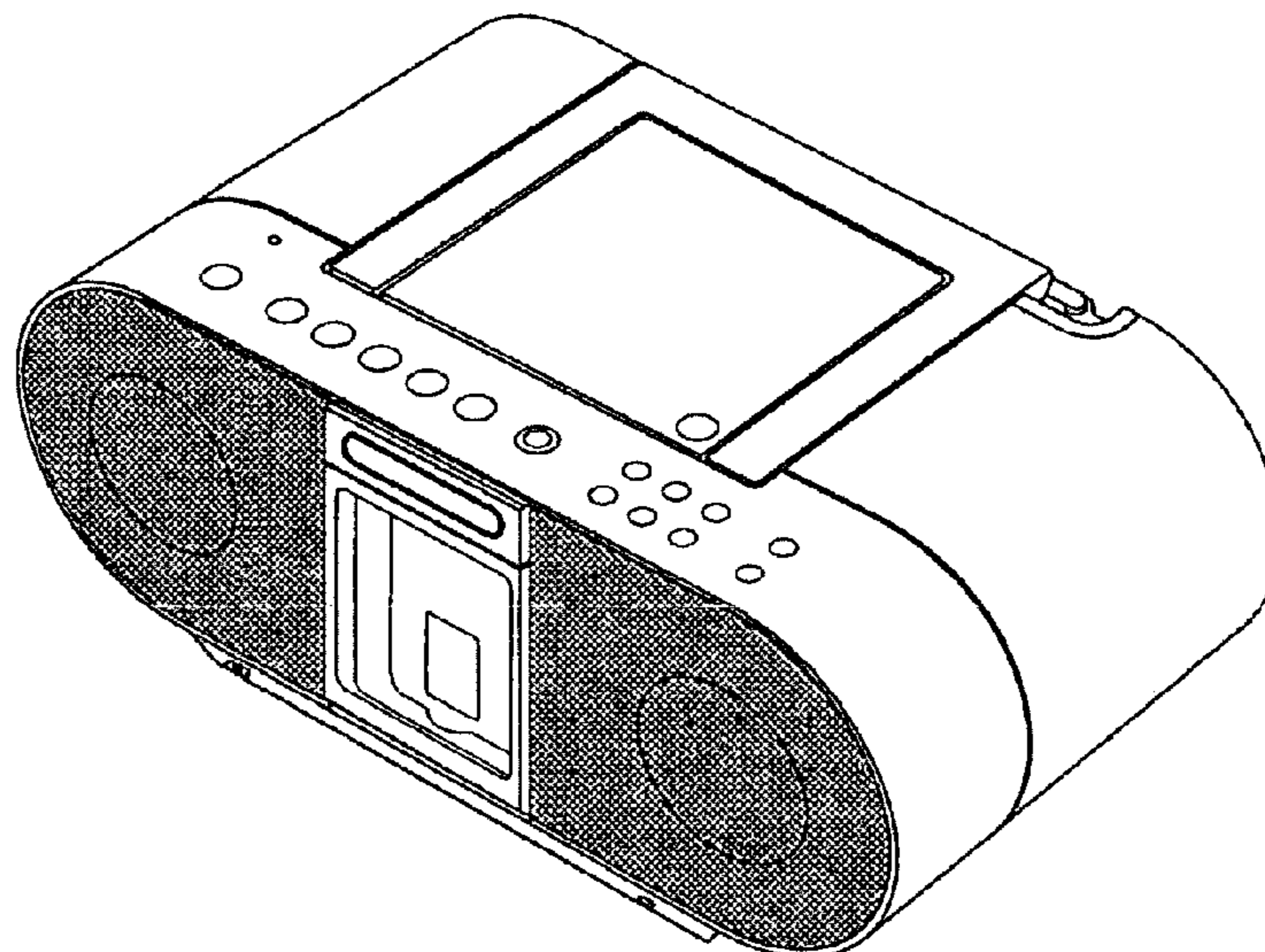
FIG. 11 is a top, front, and right perspective view thereof, depicted in an operational state;

FIG. 12 is a front elevational view of a second embodiment of an optical disc player with radio receiver;

FIG. 13 is a sectional view along line 13—13 shown in FIG. 12; and,

FIG. 14 is a sectional view along line 14—14 shown in FIG. 12.

1 Claim, 14 Drawing Sheets



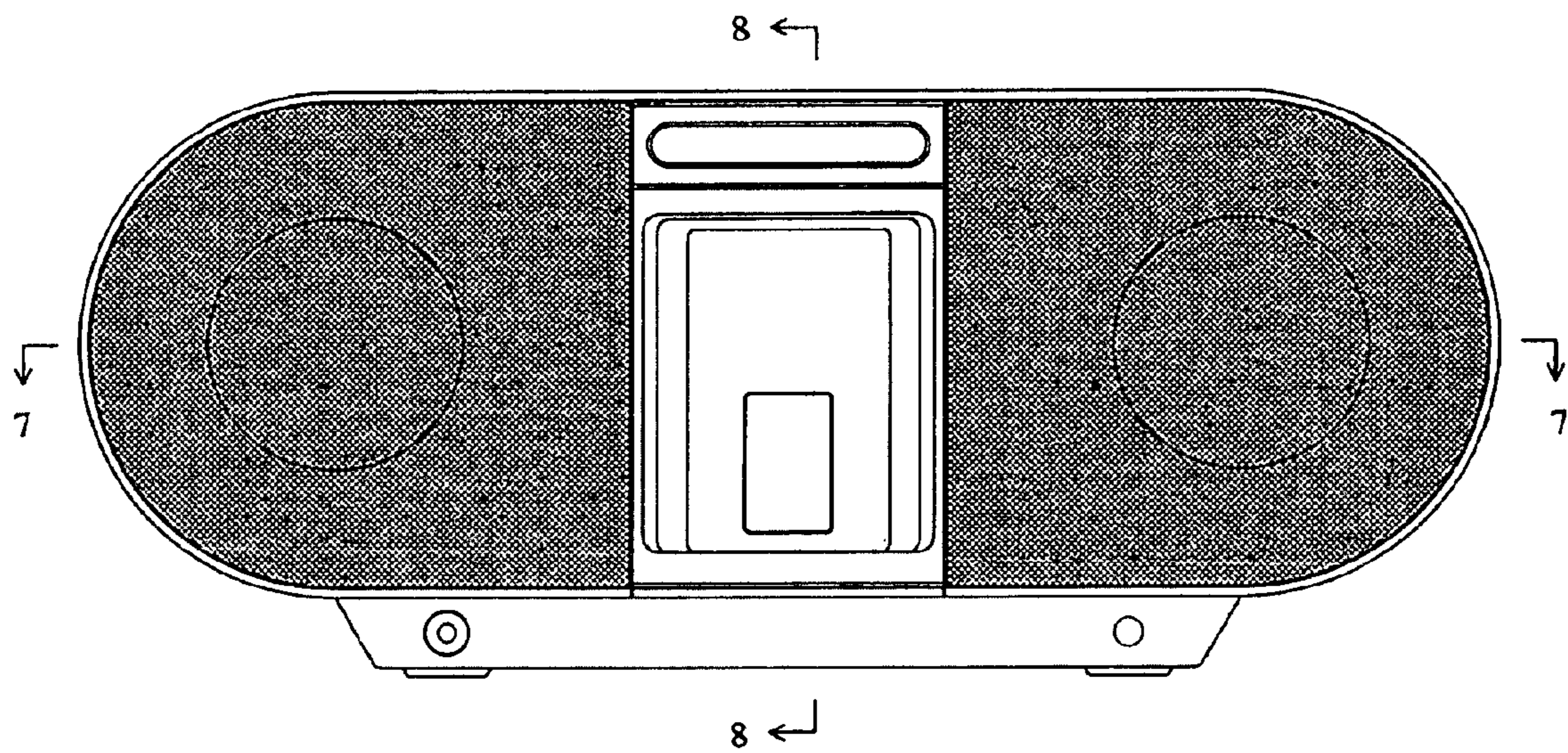


Fig.1

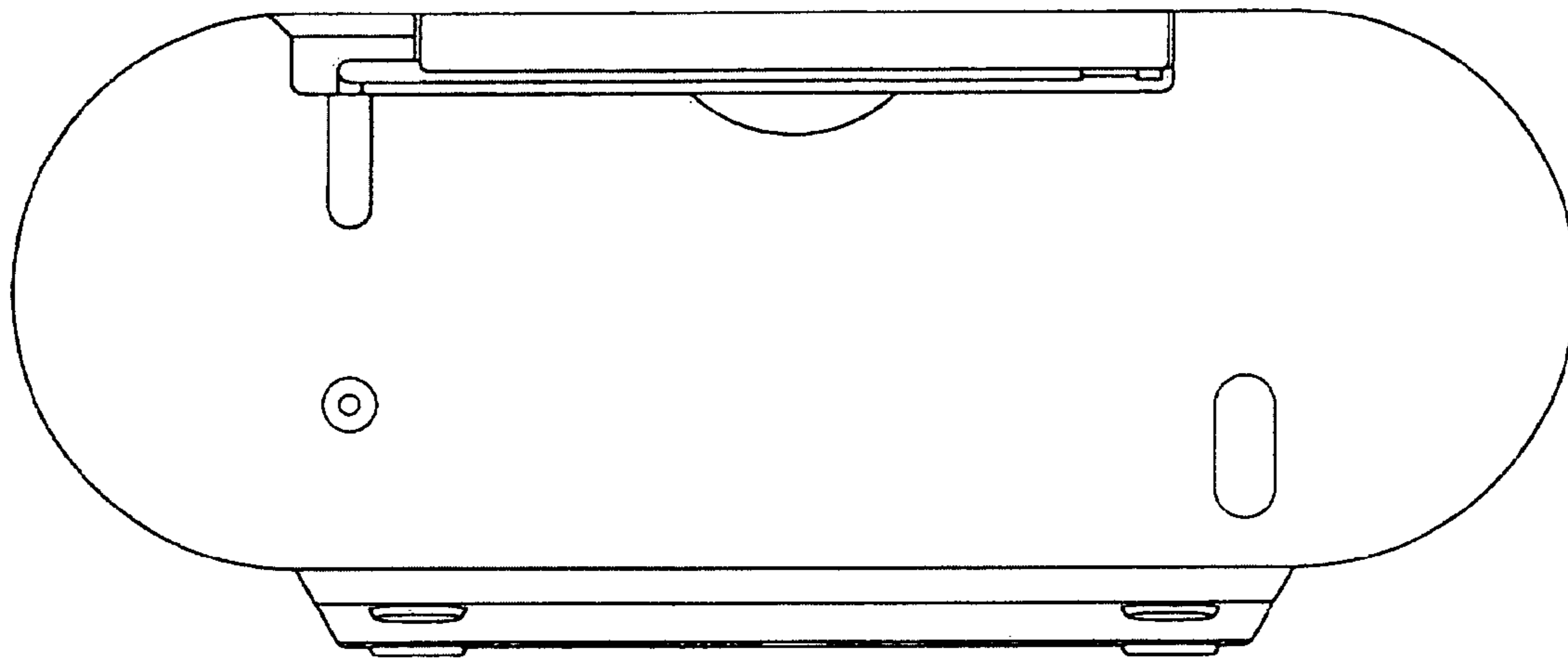


Fig.2

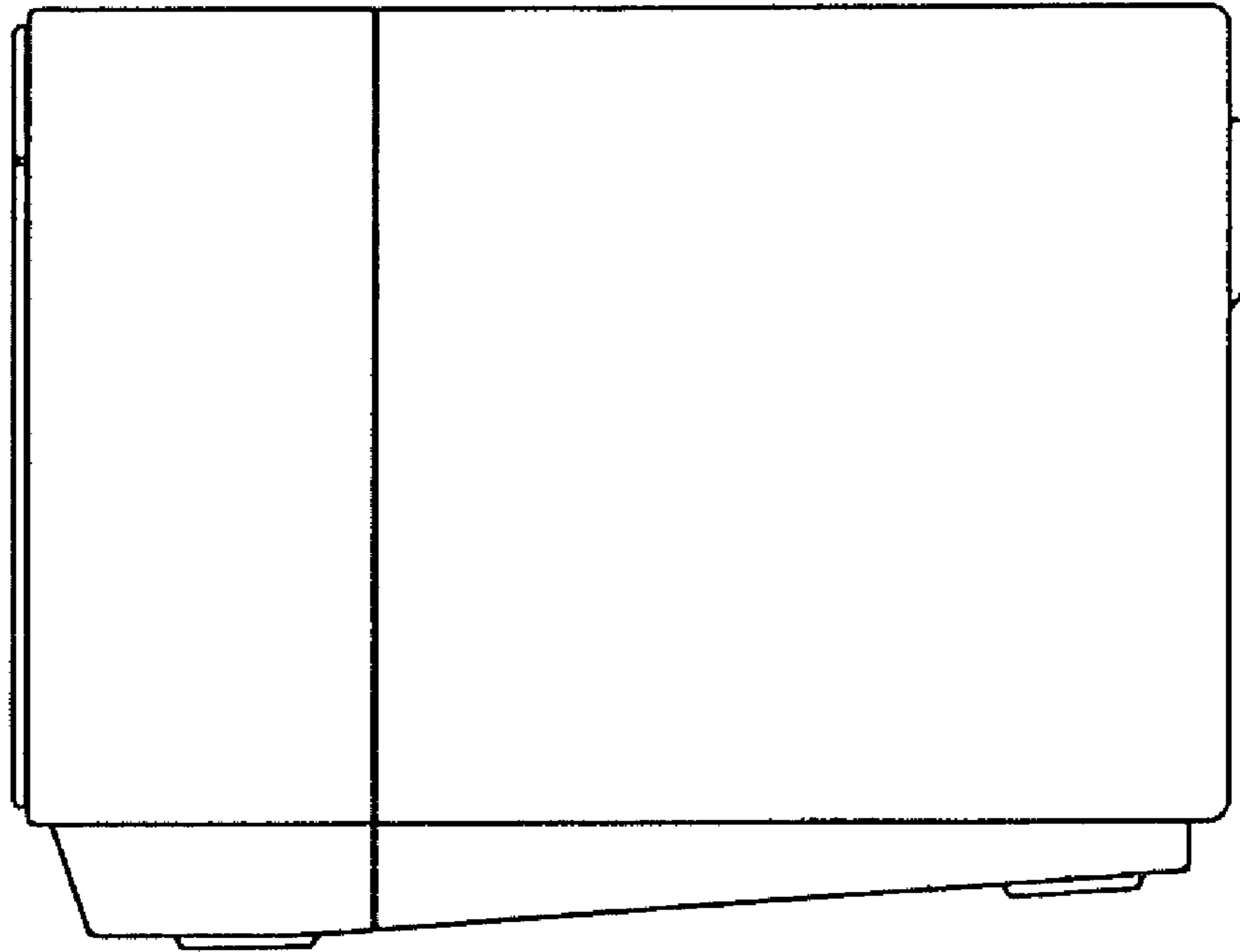


Fig.3

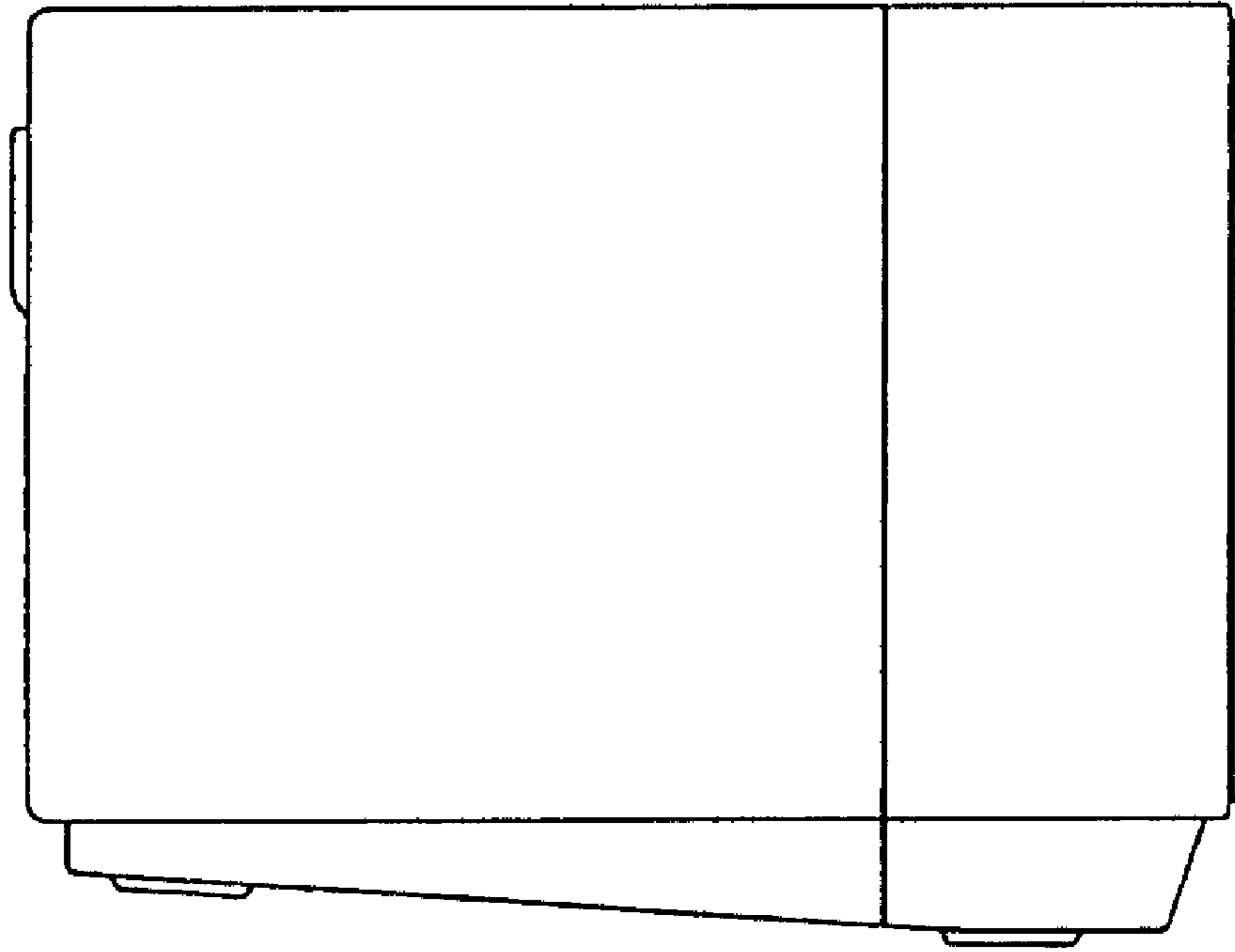


Fig.4

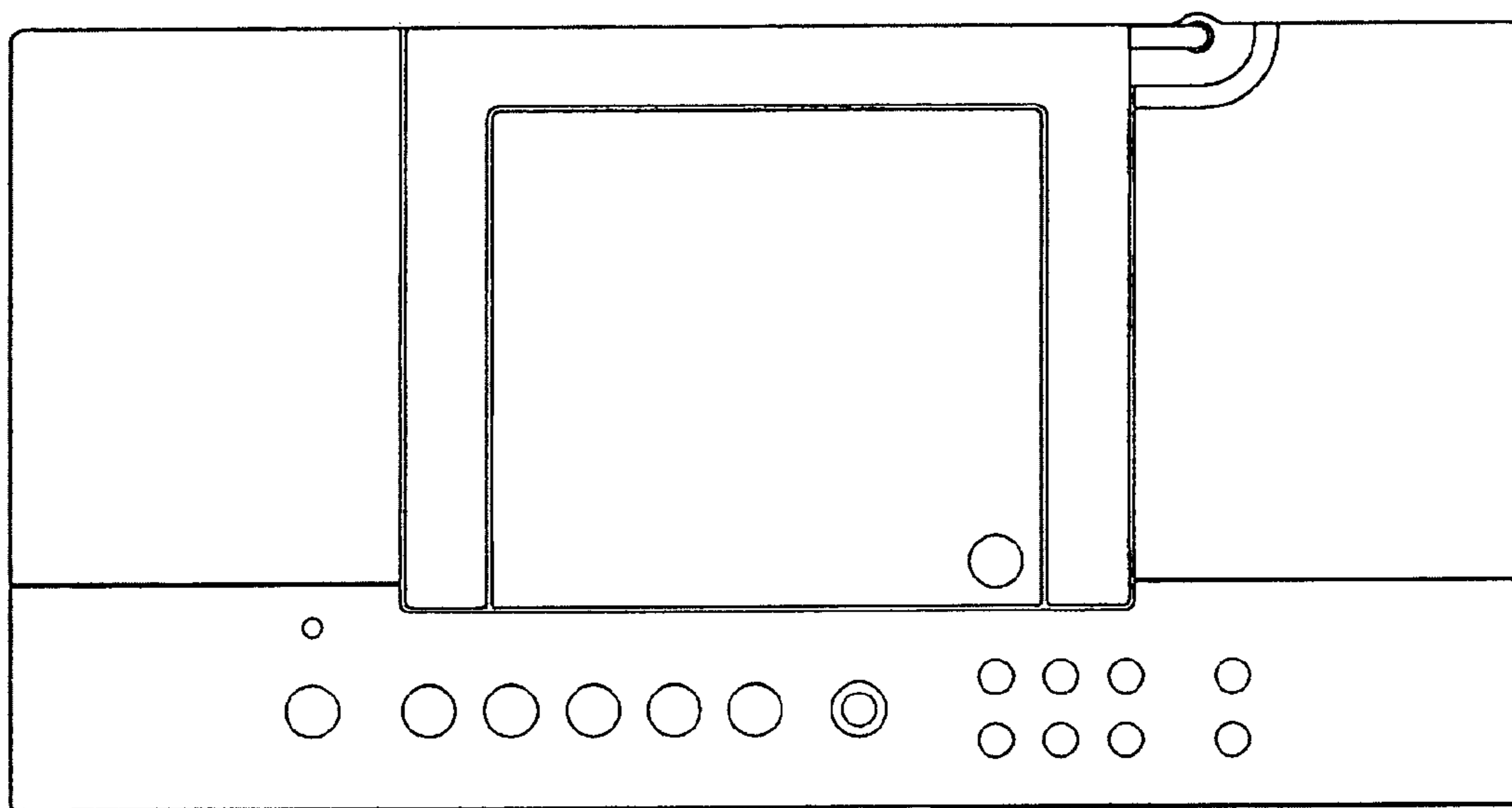


Fig.5

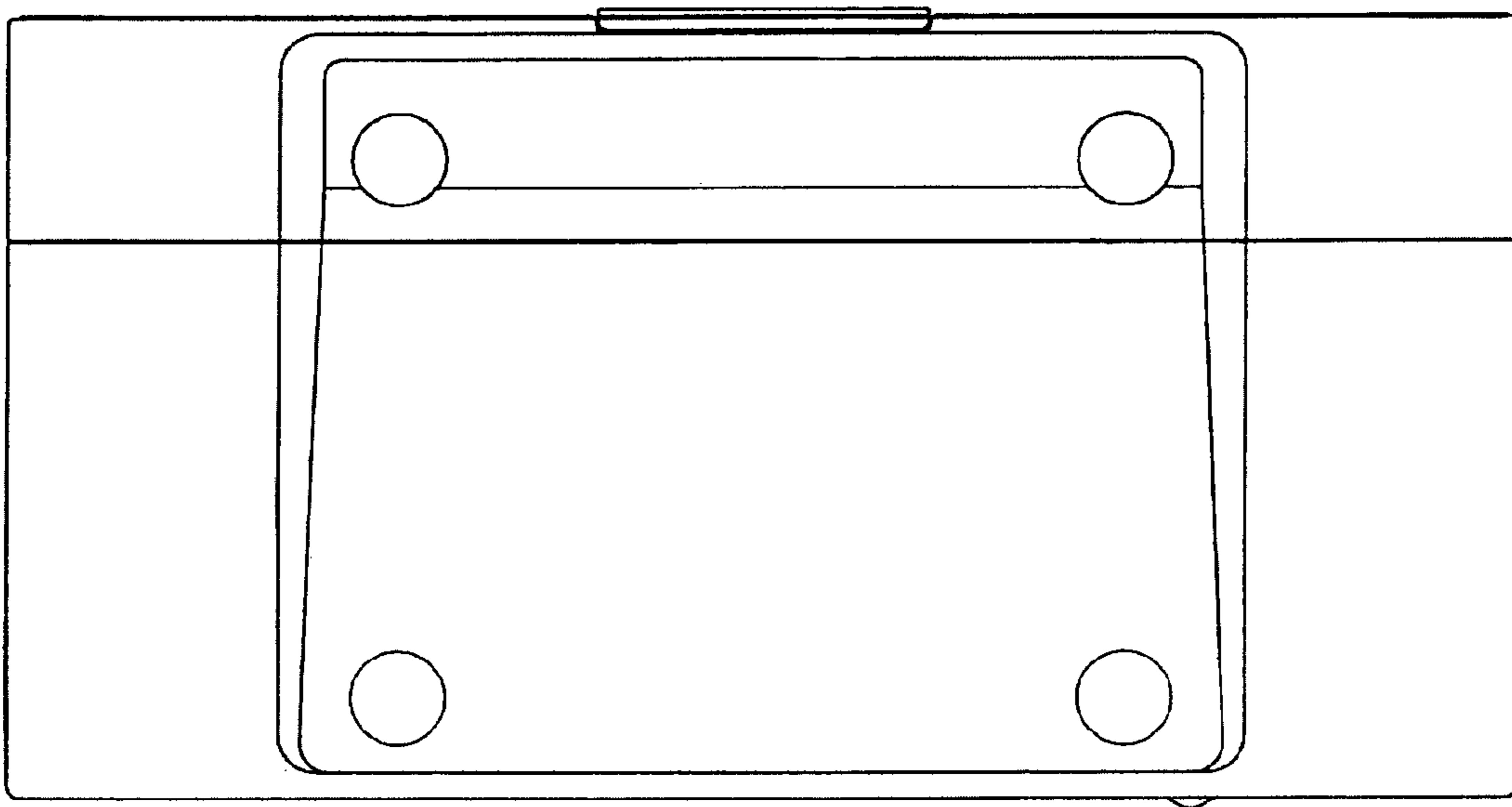


Fig.6

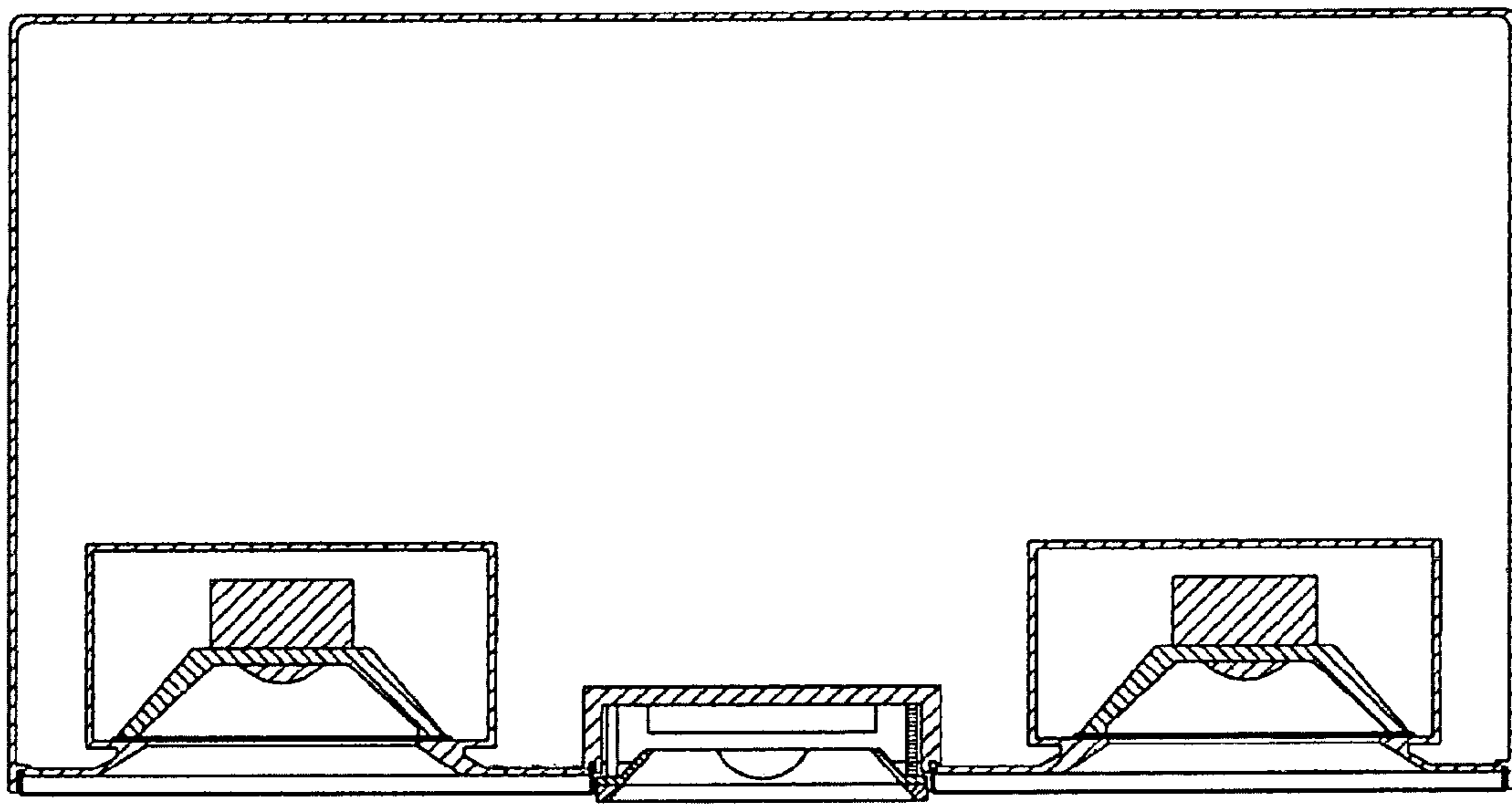


Fig.7

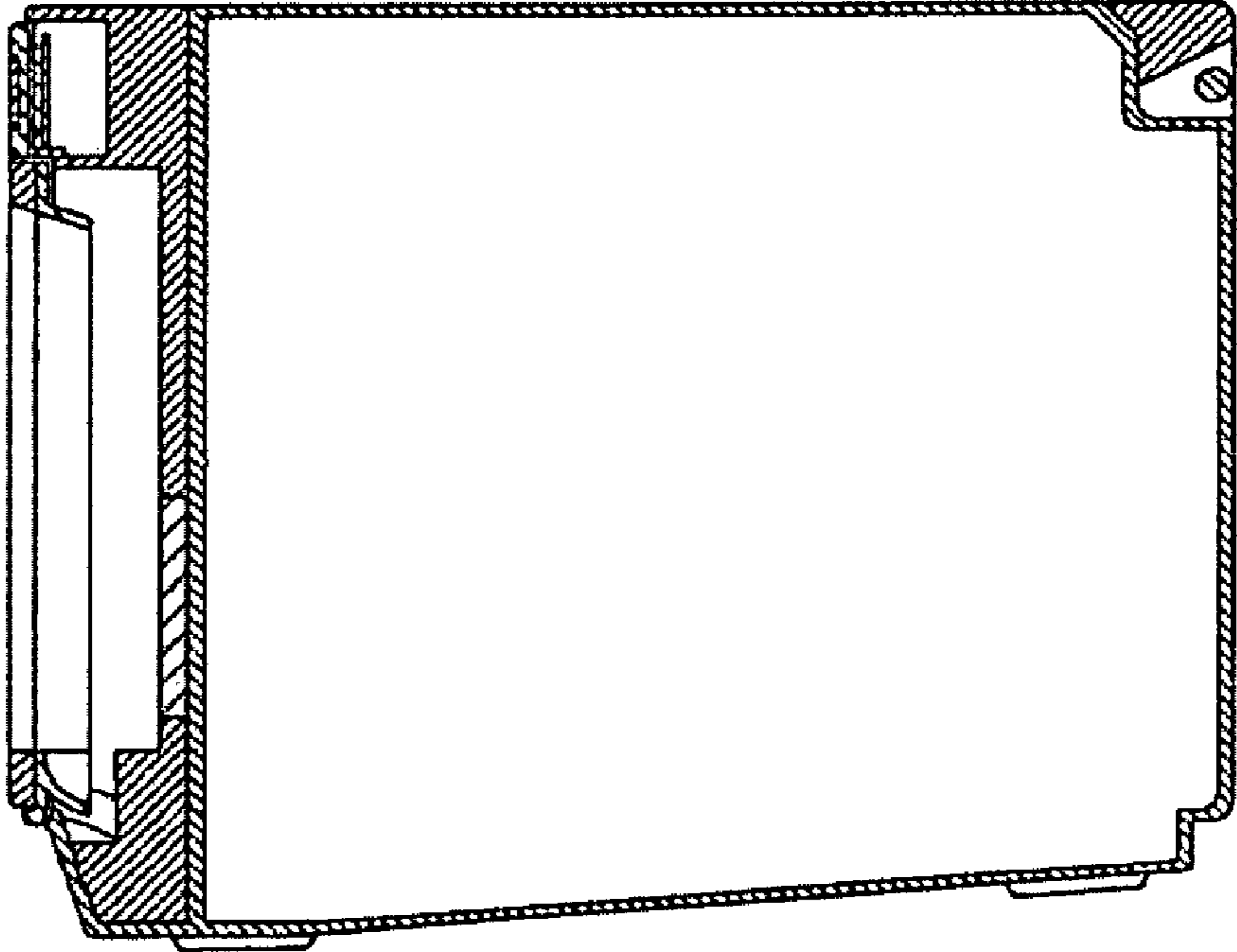


Fig.8

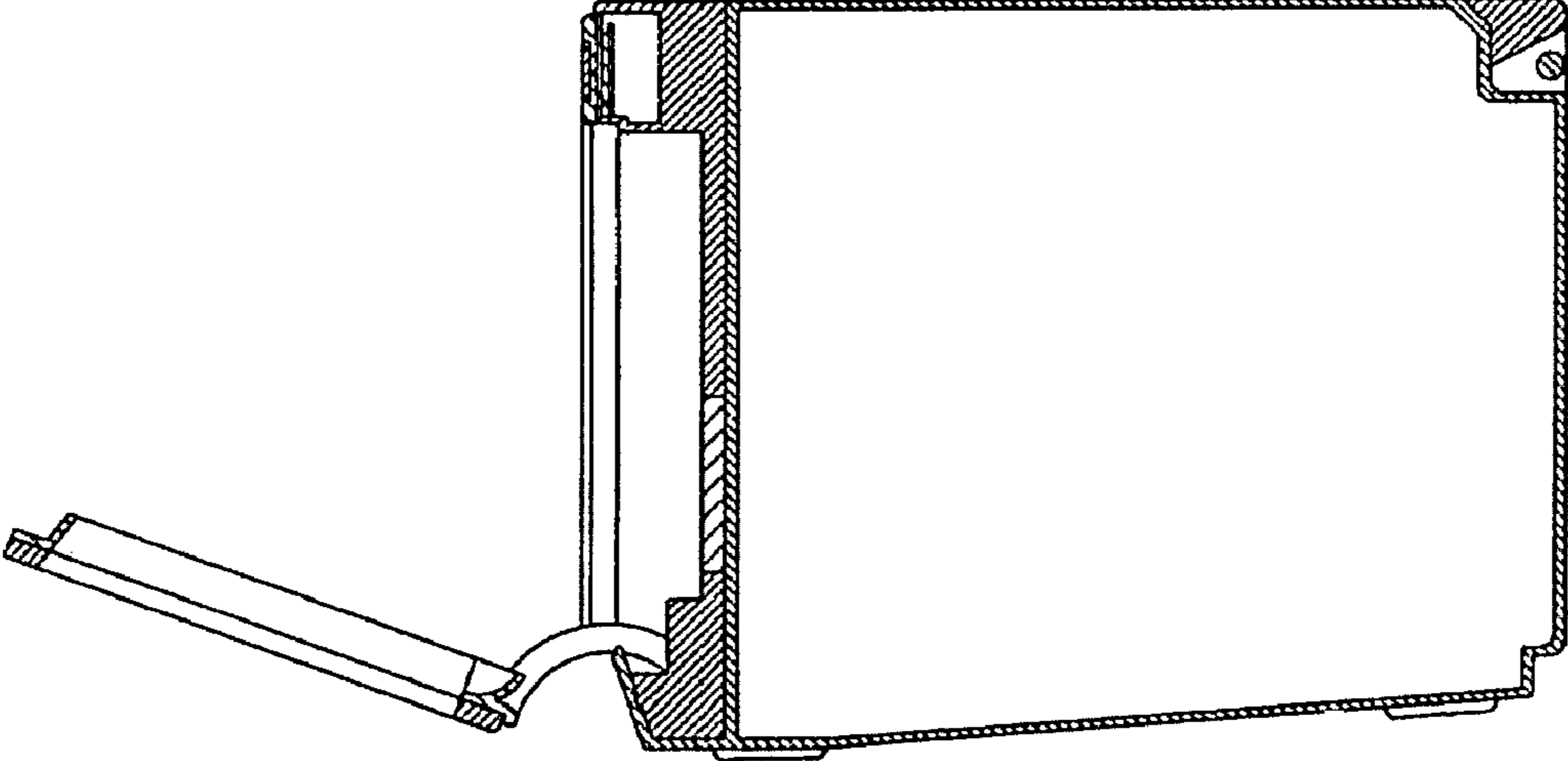


Fig.9

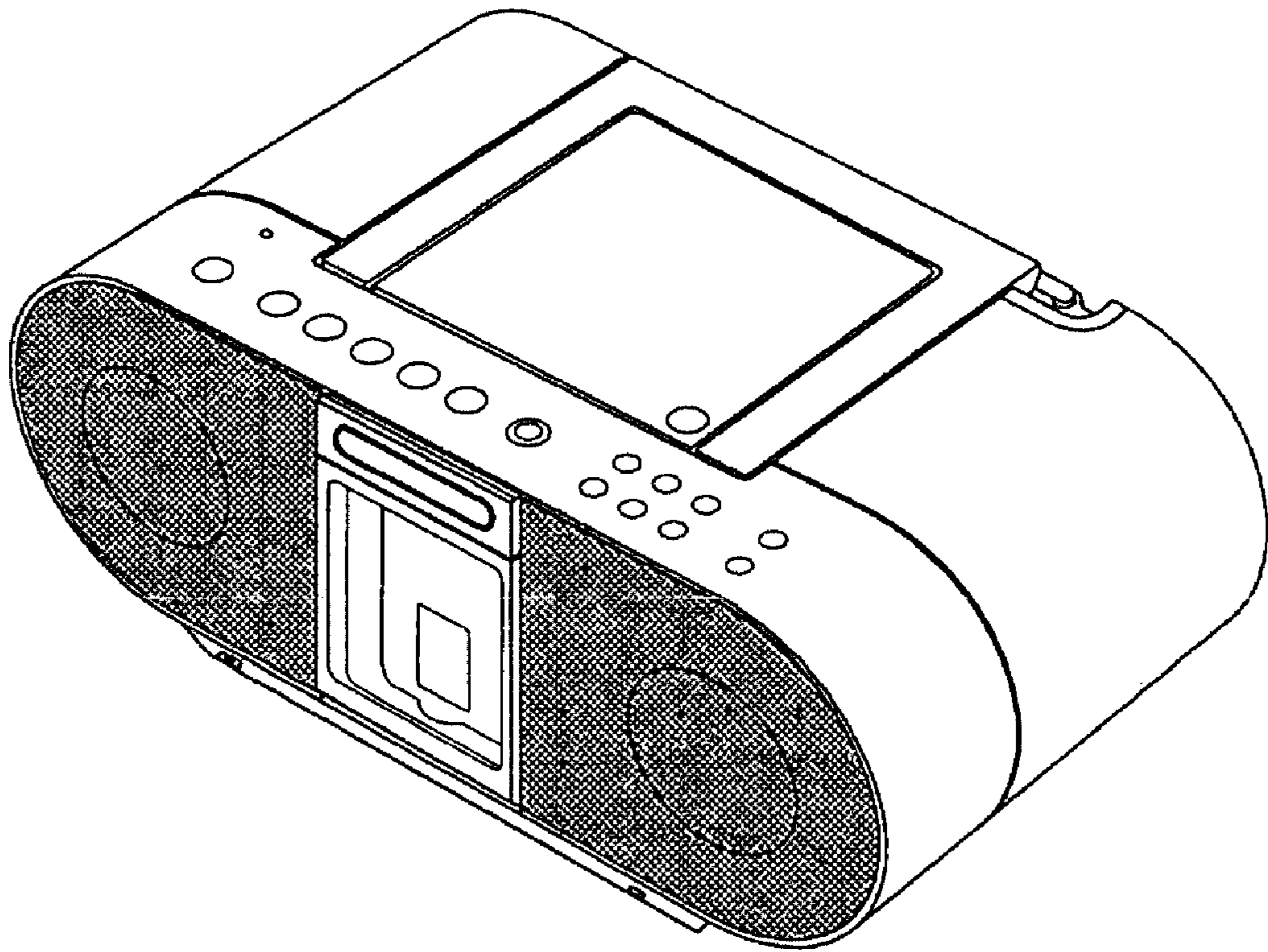


Fig.10

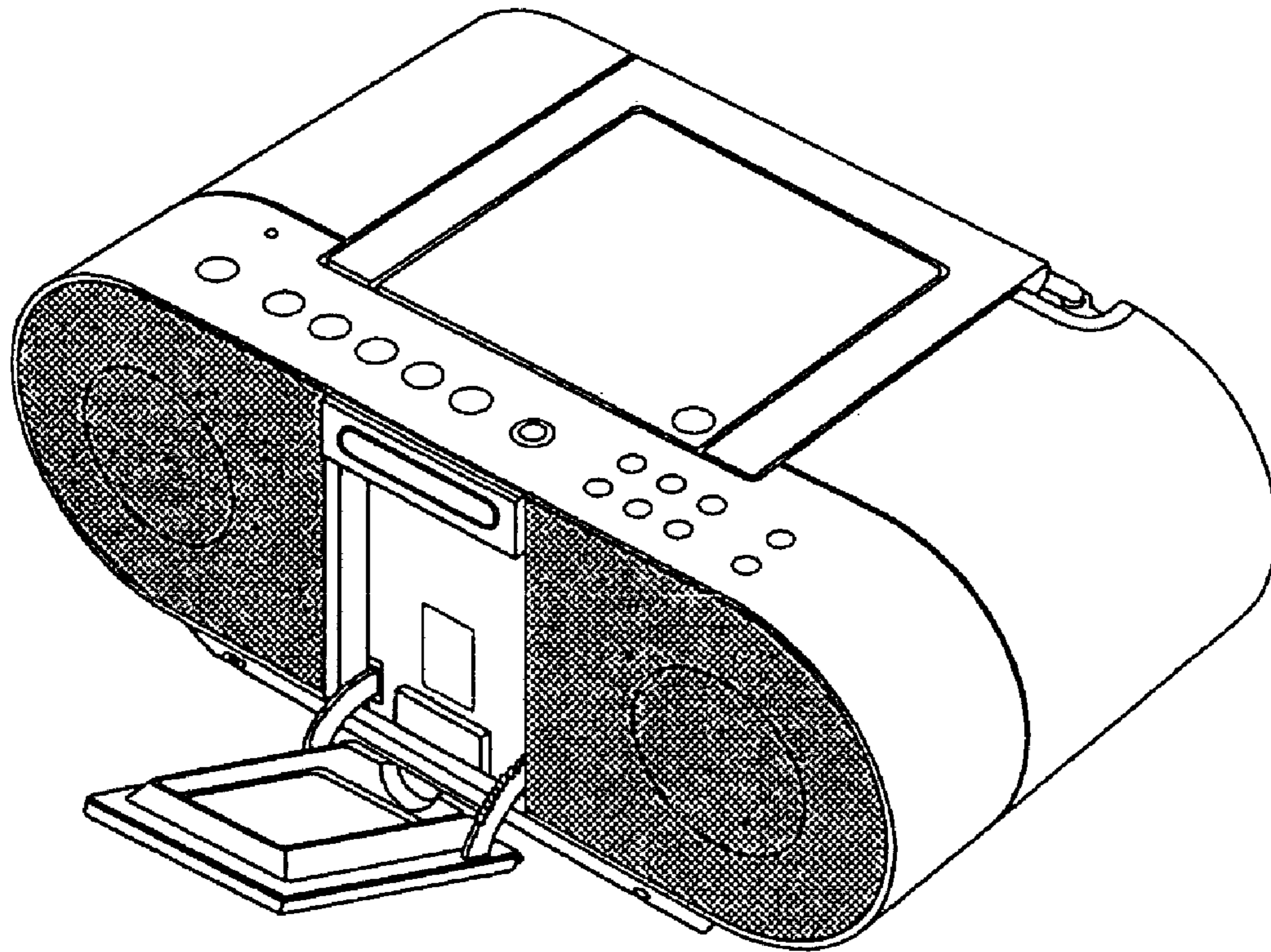


Fig.11

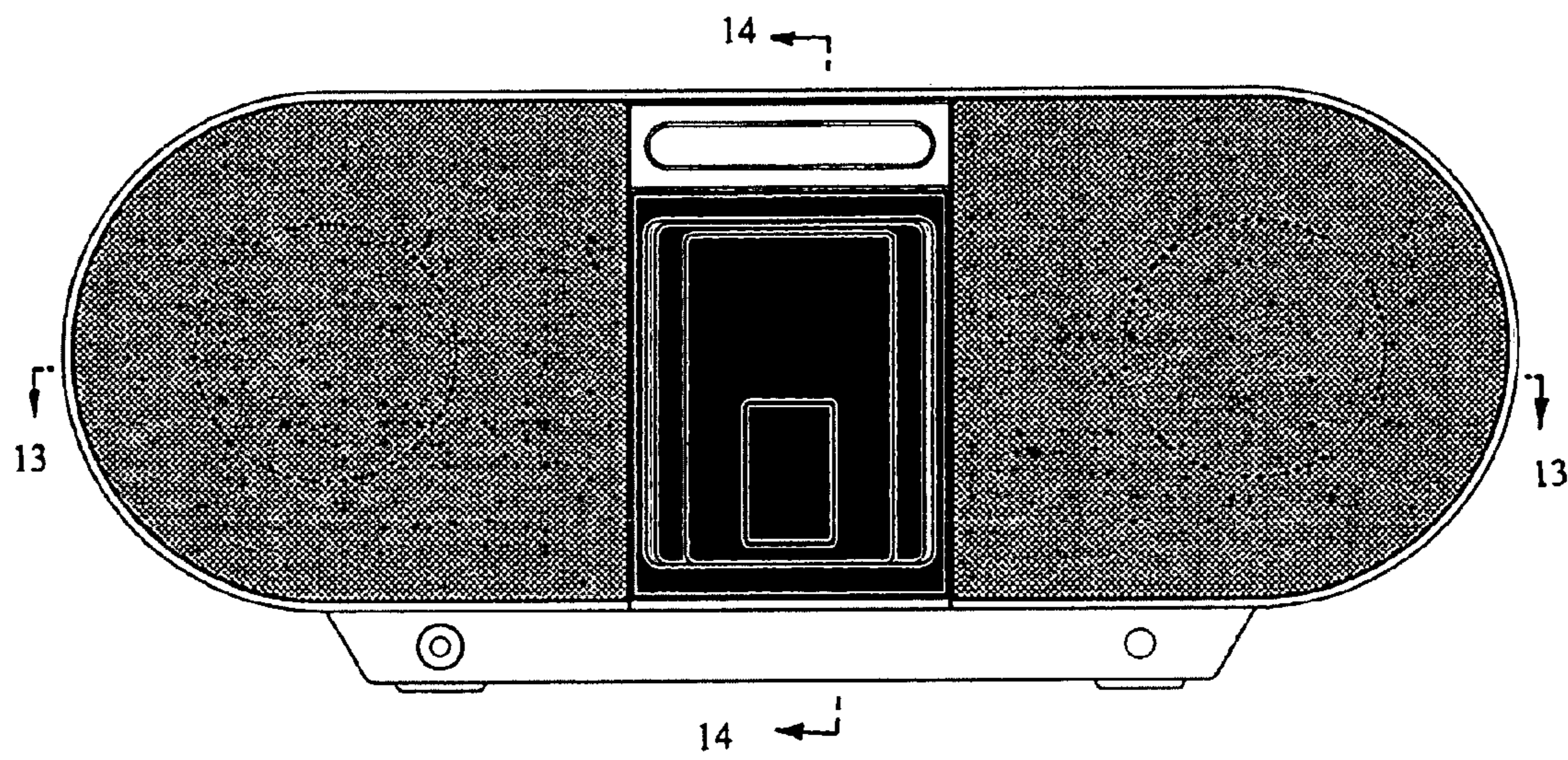


Fig. 12

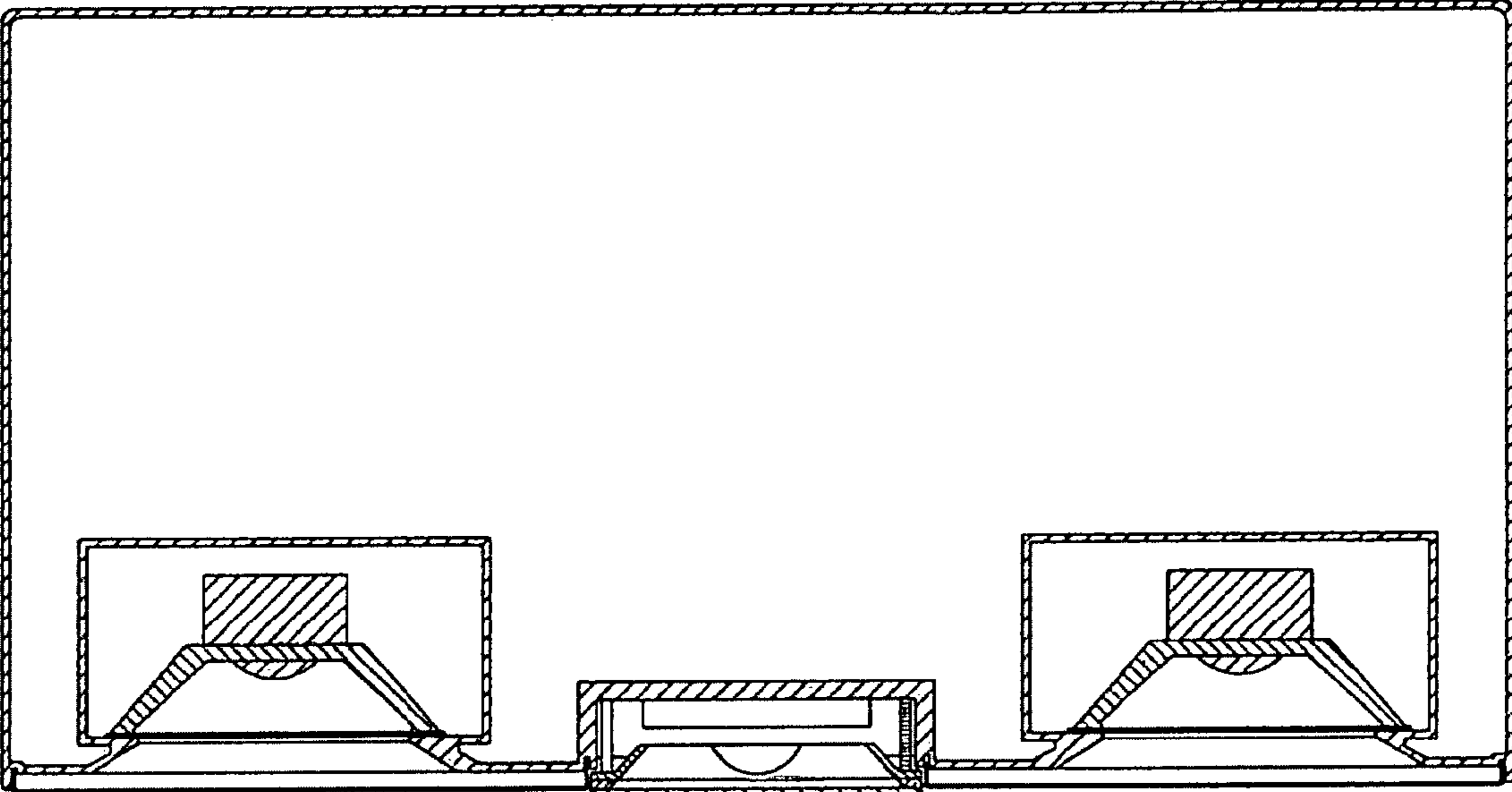


Fig.13

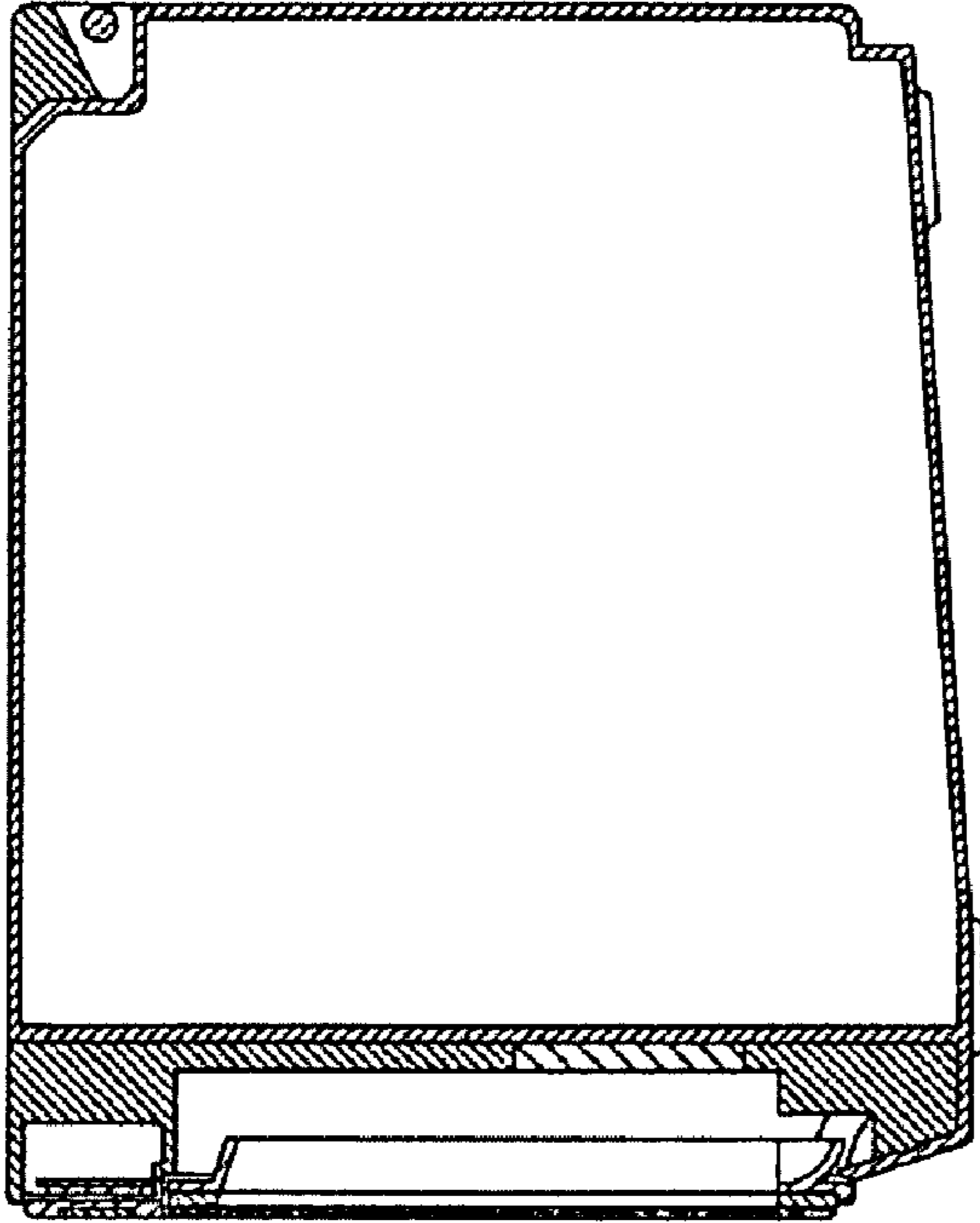


Fig.14