



US00D599315S

(12) **United States Design Patent**
Chiu

(10) **Patent No.:** **US D599,315 S**
(45) **Date of Patent:** **** Sep. 1, 2009**

(54) **DISPLAY**

D519,089 S * 4/2006 Lin D14/126
D571,751 S * 6/2008 Lin D14/126
D578,086 S * 10/2008 Hoehn et al. D14/126

(75) Inventor: **Yi-Chung Chiu**, Taipei County (TW)

(73) Assignee: **Hannspree, Inc.**, Taipei (TW)

(**) Term: **14 Years**

* cited by examiner

(21) Appl. No.: **29/330,609**

Primary Examiner—Raphael Barkai
(74) *Attorney, Agent, or Firm*—Schmeiser, Olsen & Watts,
LLP

(22) Filed: **Jan. 9, 2009**

(51) **LOC (9) Cl.** **14-03**

(52) **U.S. Cl.** **D14/129; D14/126**

(58) **Field of Classification Search** D14/125–134,
D14/239, 371, 136, 374–377, 440, 450, 448,
D14/336, 342; 312/7.2; 348/836, 838, 180,
348/184, 325, 739; 341/12; 248/917–924,
248/465; 345/104, 133, 156, 168, 87, 173;
720/605, 669, 600, 655; 369/99, 197; 455/344,
455/347; D21/329, 515, 577, 622, 333, 433,
D21/448, 452, 450, 331; D6/477, 479, 300,
D6/380, 374, 375; 273/148 B; 446/484,
446/175, 356; D10/15, 26

See application file for complete search history.

(56) **References Cited**

U.S. PATENT DOCUMENTS

D365,454 S * 12/1995 Thomson D6/380

(57) **CLAIM**

The ornamental design for a display, as shown and described.

DESCRIPTION

FIG. 1 is a front perspective view of display showing my new design;

FIG. 2 is a front elevational view thereof;

FIG. 3 is a rear elevational view thereof;

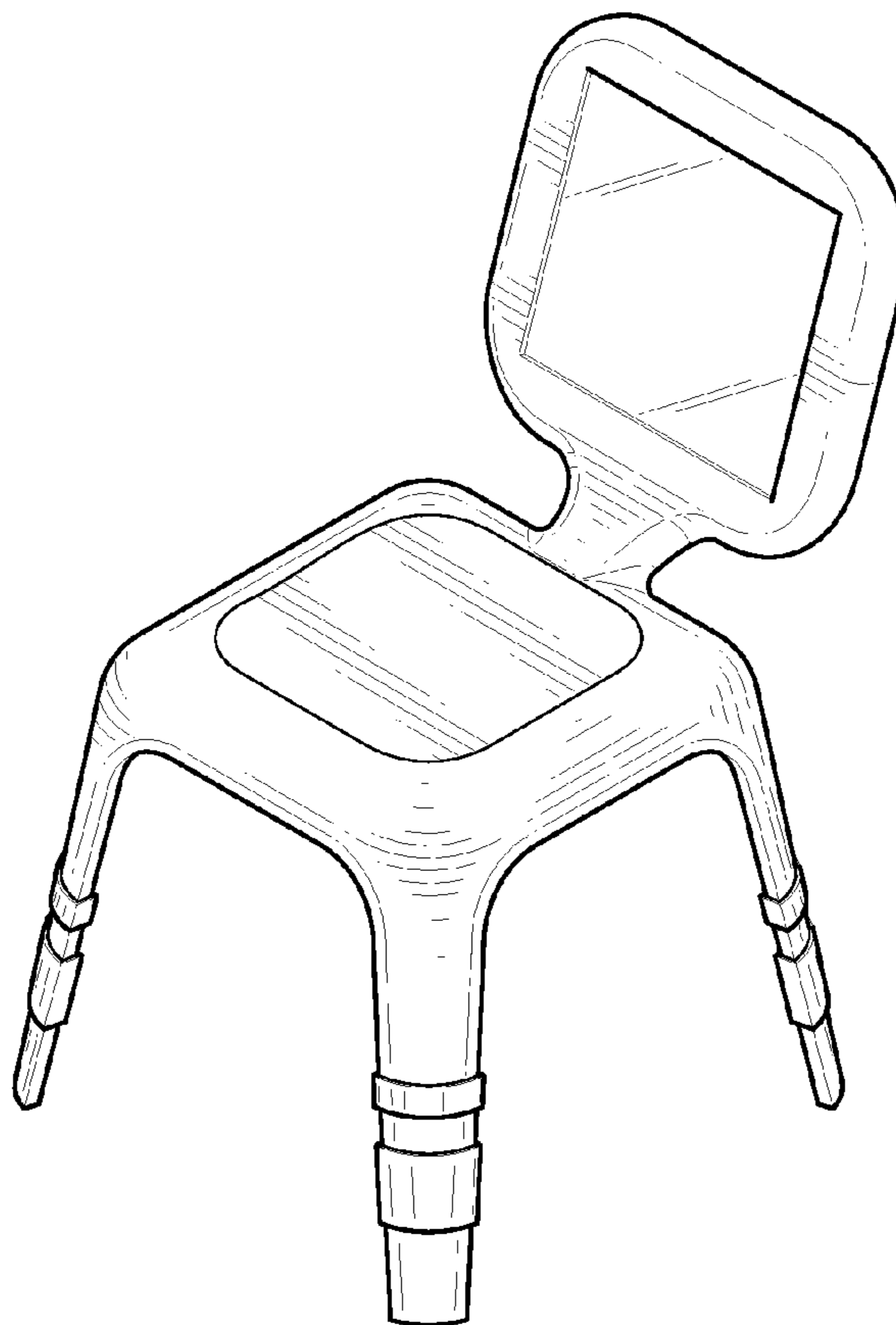
FIG. 4 is a right side elevational view thereof;

FIG. 5 is a left side elevational view thereof;

FIG. 6 is a top plan view thereof; and,

FIG. 7 is a bottom plan view thereof.

1 Claim, 4 Drawing Sheets



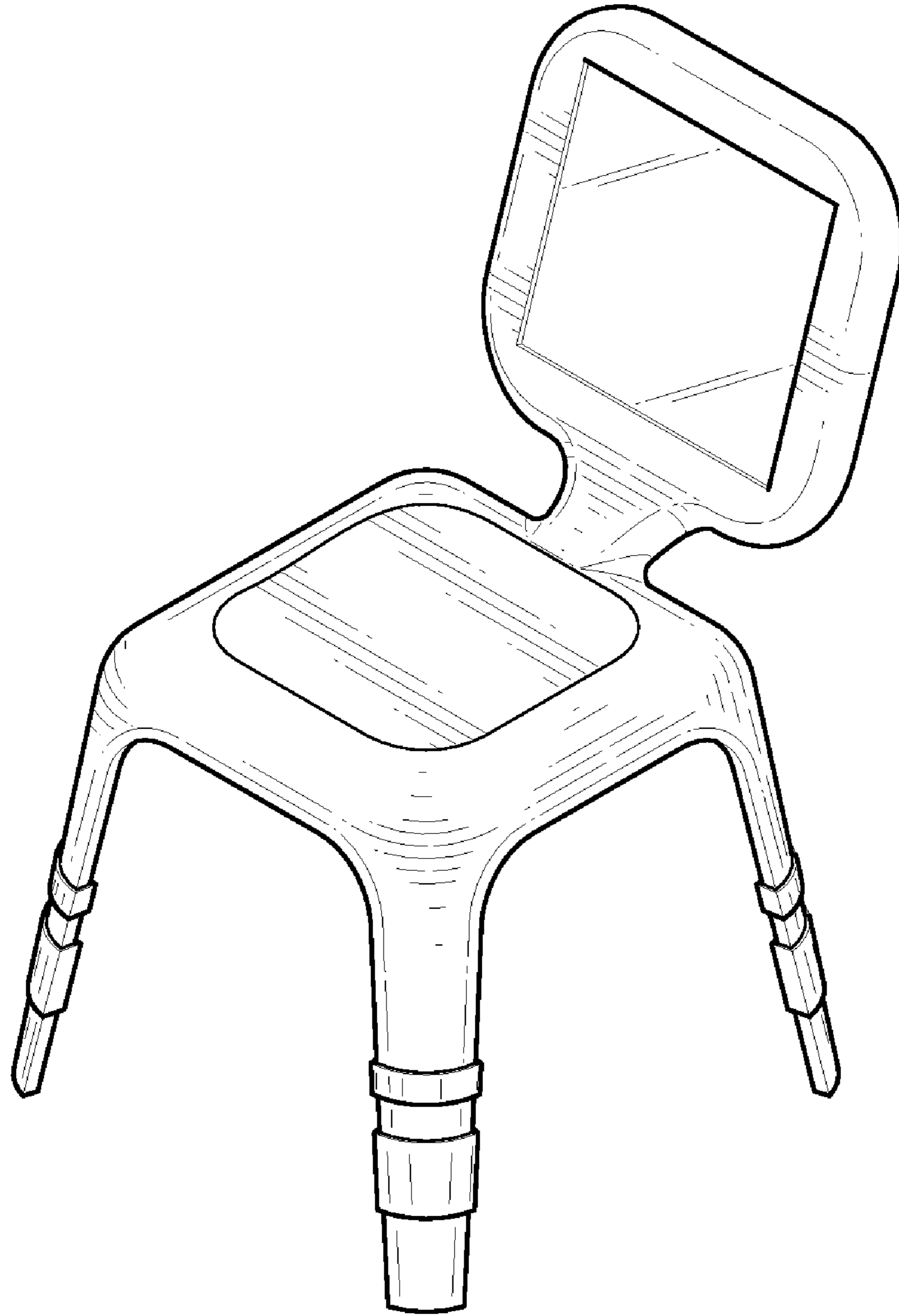


FIG. 1

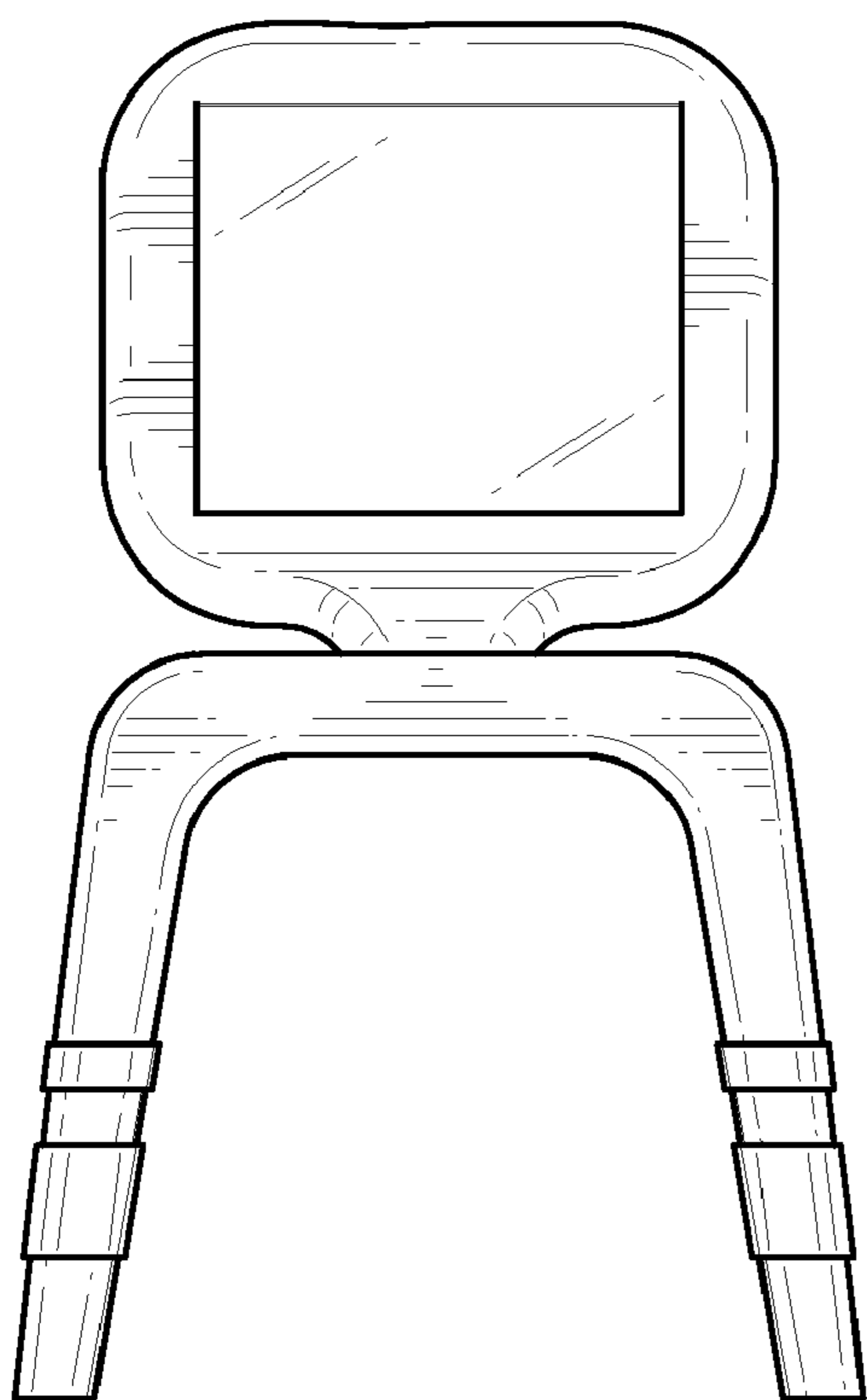


FIG.2

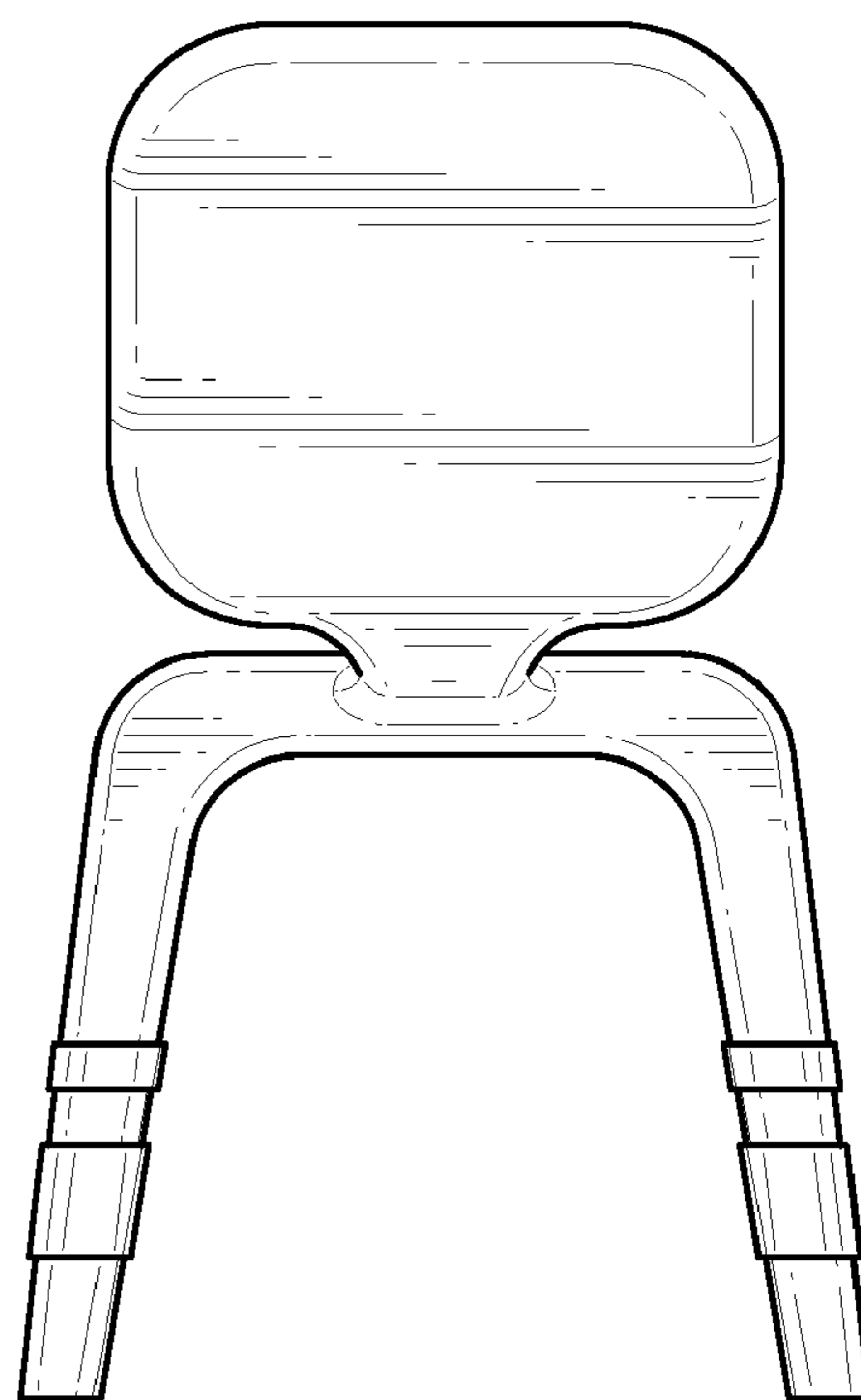


FIG.3

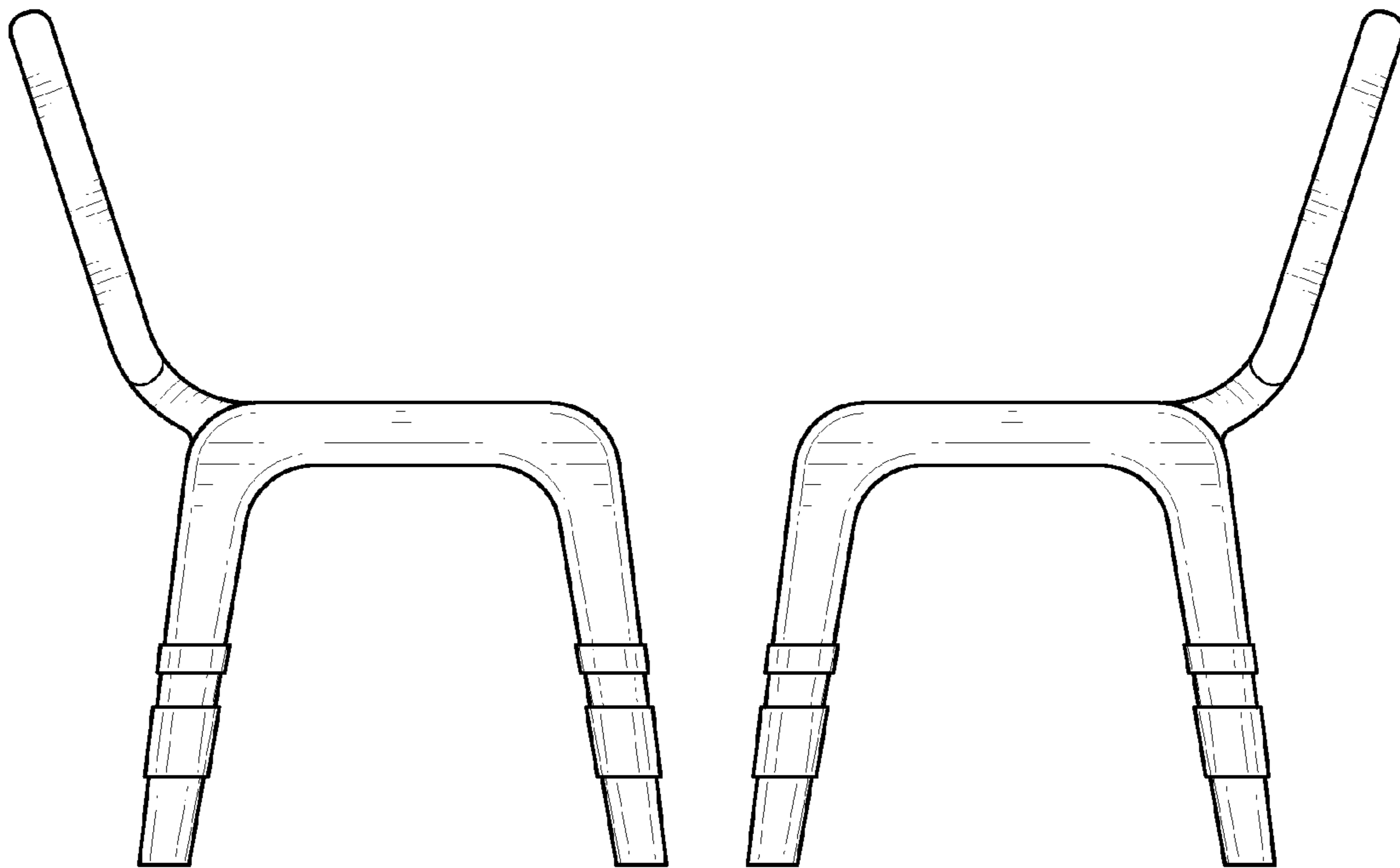


FIG.4

FIG.5

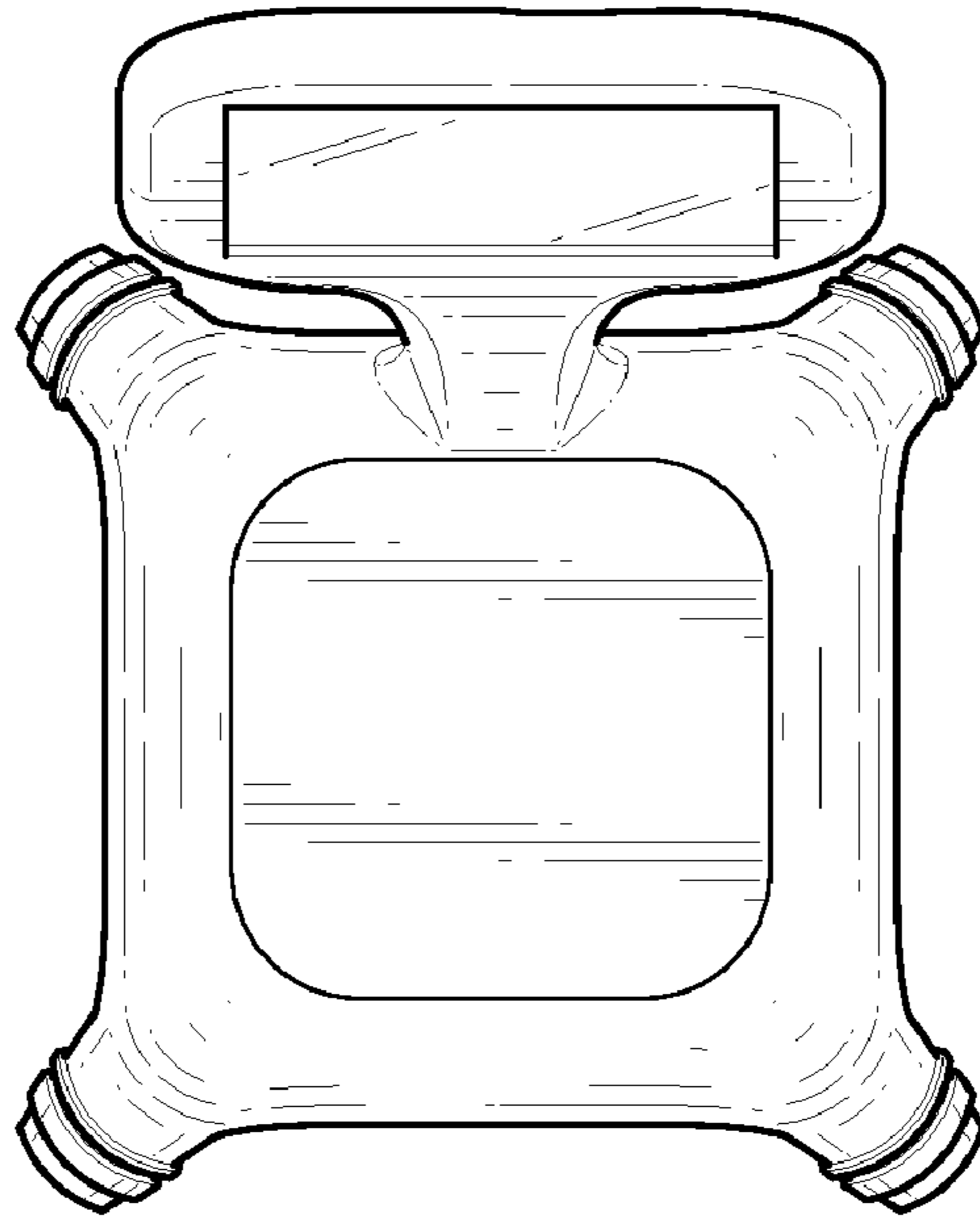


FIG. 6

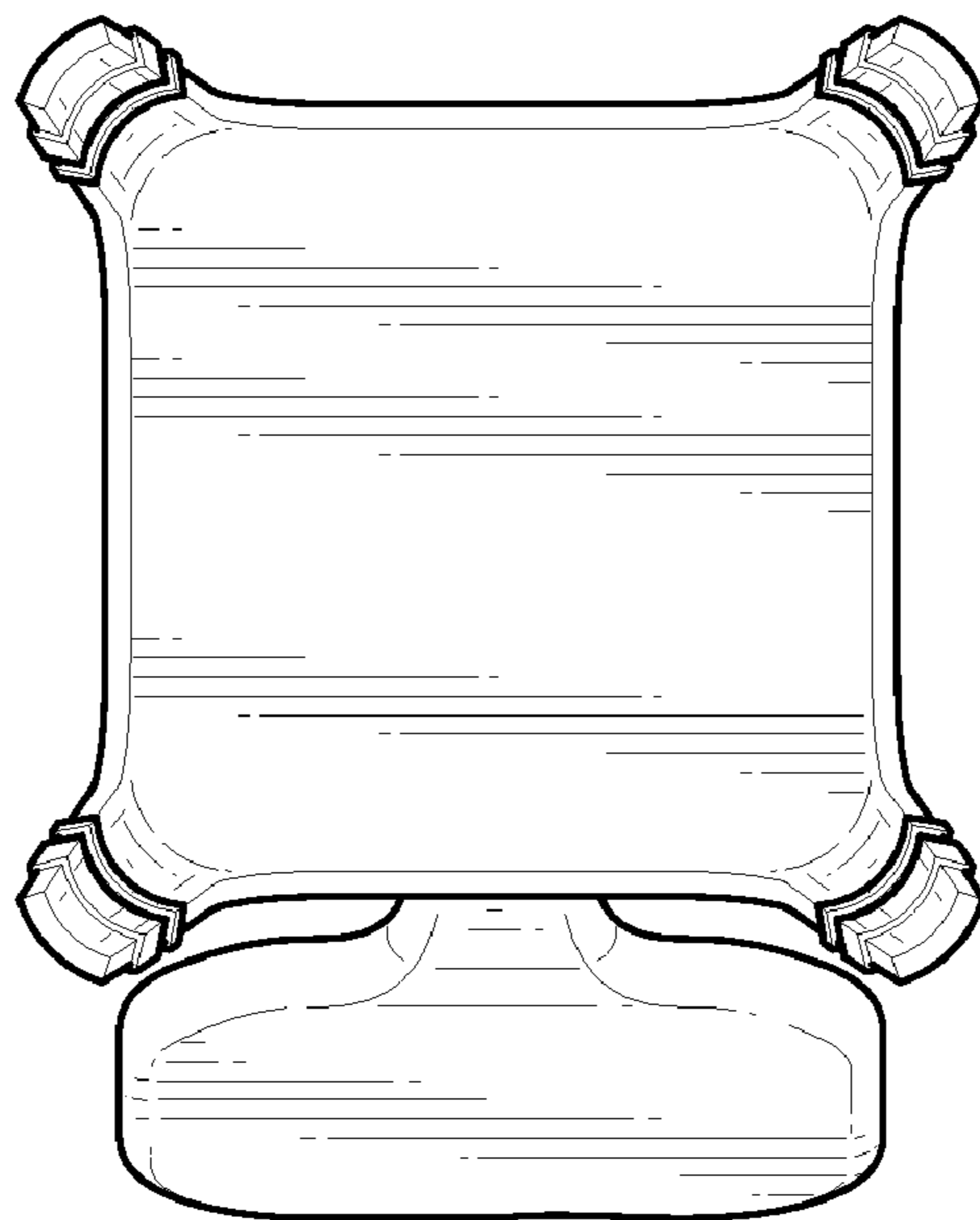


FIG. 7