

US00D599313S

(12) **United States Design Patent**
McClure et al.

(10) **Patent No.:** **US D599,313 S**
(45) **Date of Patent:** **** Sep. 1, 2009**

(54) **VIDEO PROCESSING UNIT FOR A VISUAL PROSTHETIC APPARATUS**

(75) Inventors: **Kelly H. McClure**, Simi Valley, CA (US); **Richard Agustin Castro**, Pasadena, CA (US); **Sanjay Gaikwad**, Valencia, CA (US); **Da-Yu Chang**, Rowland Heights, CA (US); **Scott M. Loftin**, Rosamond, CA (US); **Rongqing Dai**, Valencia, CA (US); **Robert J. Greenberg**, Los Angeles, CA (US)

(73) Assignee: **Second Sight Medical Products, Inc.**, Sylmar, CA (US)

(**) Term: **14 Years**

(21) Appl. No.: **29/291,134**

(22) Filed: **Aug. 15, 2007**

(51) **LOC (9) Cl.** **14-03**

(52) **U.S. Cl.** **D14/125**

(58) **Field of Classification Search** D14/125-134, D14/136, 156, 217, 239, 299, 118, 109, 140.1, D14/358; 379/220.01, 221.09, 220.14, 25, 379/93.09, 93.15, 156, 379, 338, 339; 381/124; D13/123, 133, 146, 147, 154, 162, 184, 199; 439/92, 344, 607-610, 638, 650, 676; D24/172, D24/137, 138, 128, 144; 600/109, 112, 160, 600/101, 107, 102; 606/13-16; 128/749, 128/778

See application file for complete search history.

(56) **References Cited**

U.S. PATENT DOCUMENTS

D323,652 S * 2/1992 Imai et al. D14/135

D416,088 S * 11/1999 Krauter et al. D24/137
D419,677 S * 1/2000 McKimm D24/175
D479,847 S * 9/2003 Wang D14/496
D487,087 S * 2/2004 Wang D14/357
7,079,900 B2 7/2006 Greenberg et al.
D551,650 S * 9/2007 DiPasquale D14/140.1
D557,419 S * 12/2007 Jurkiewicz D24/174
D563,943 S * 3/2008 Watanabe D14/188
D592,677 S * 5/2009 Sheba et al. D14/496
D593,962 S * 6/2009 Ross et al. D13/162
2003/0142206 A1 * 7/2003 Williams 348/66
2005/0168569 A1 * 8/2005 Igarashi et al. 348/62

* cited by examiner

Primary Examiner—Raphael Barkai

Assistant Examiner—Randall H Gholson

(74) *Attorney, Agent, or Firm*—Scott B. Dunbar

(57) **CLAIM**

The ornamental design for a video processing unit for a visual prosthetic apparatus, as shown and described.

DESCRIPTION

This invention was made with government support under grant No. R24EY12893-01 awarded by the National Institutes of Health. The government has certain rights in the invention.

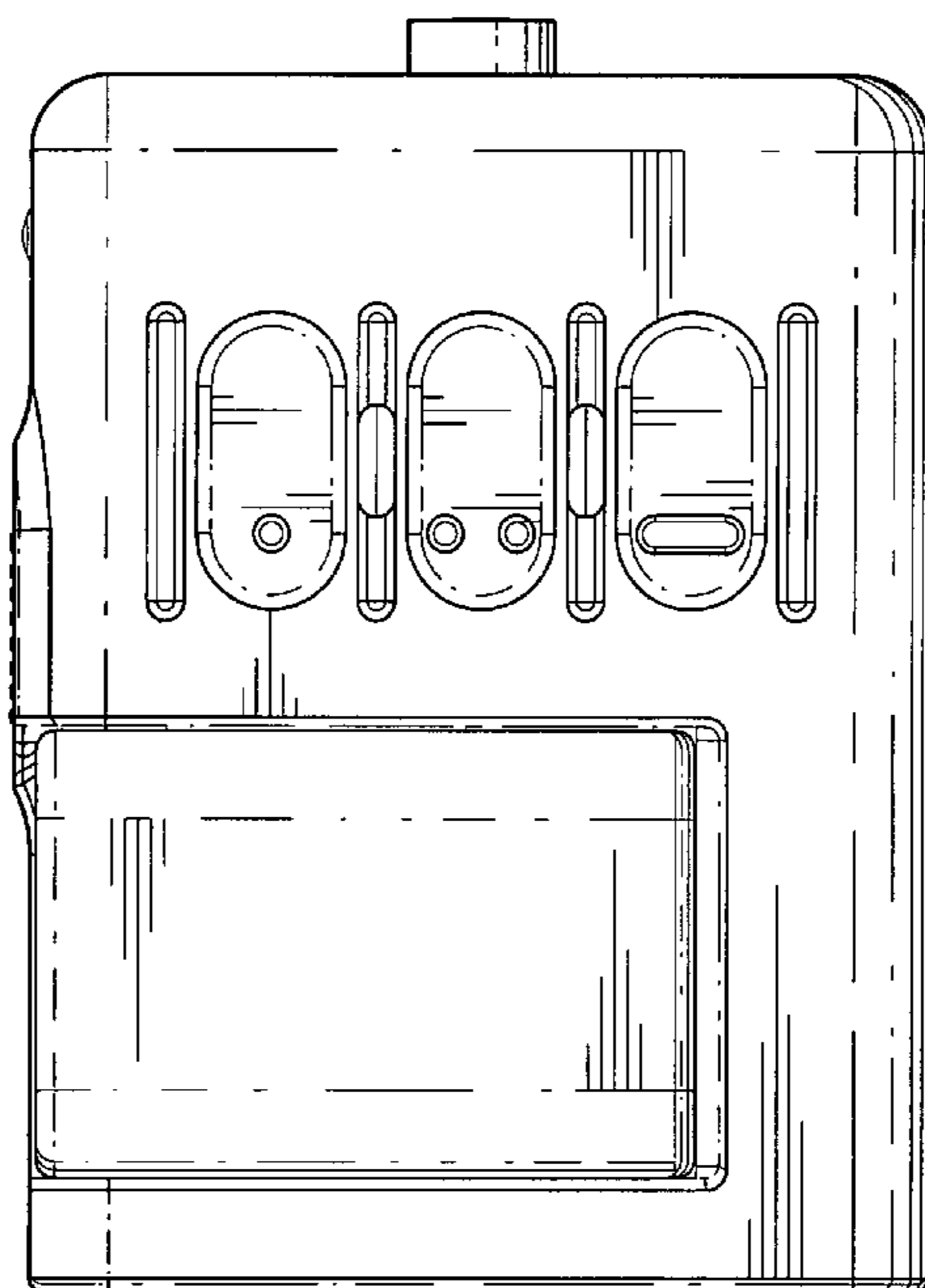
FIG. 1 is a top view of the video processing unit.

FIG. 2 is a first perspective view, from the top, front and right side, of the video processing unit.

FIG. 3 is a second perspective view, from the top, the rear and the left side, of the video processing unit; and,

FIG. 4 is a third perspective view, from the top and the left side, of the video processing unit.

1 Claim, 4 Drawing Sheets



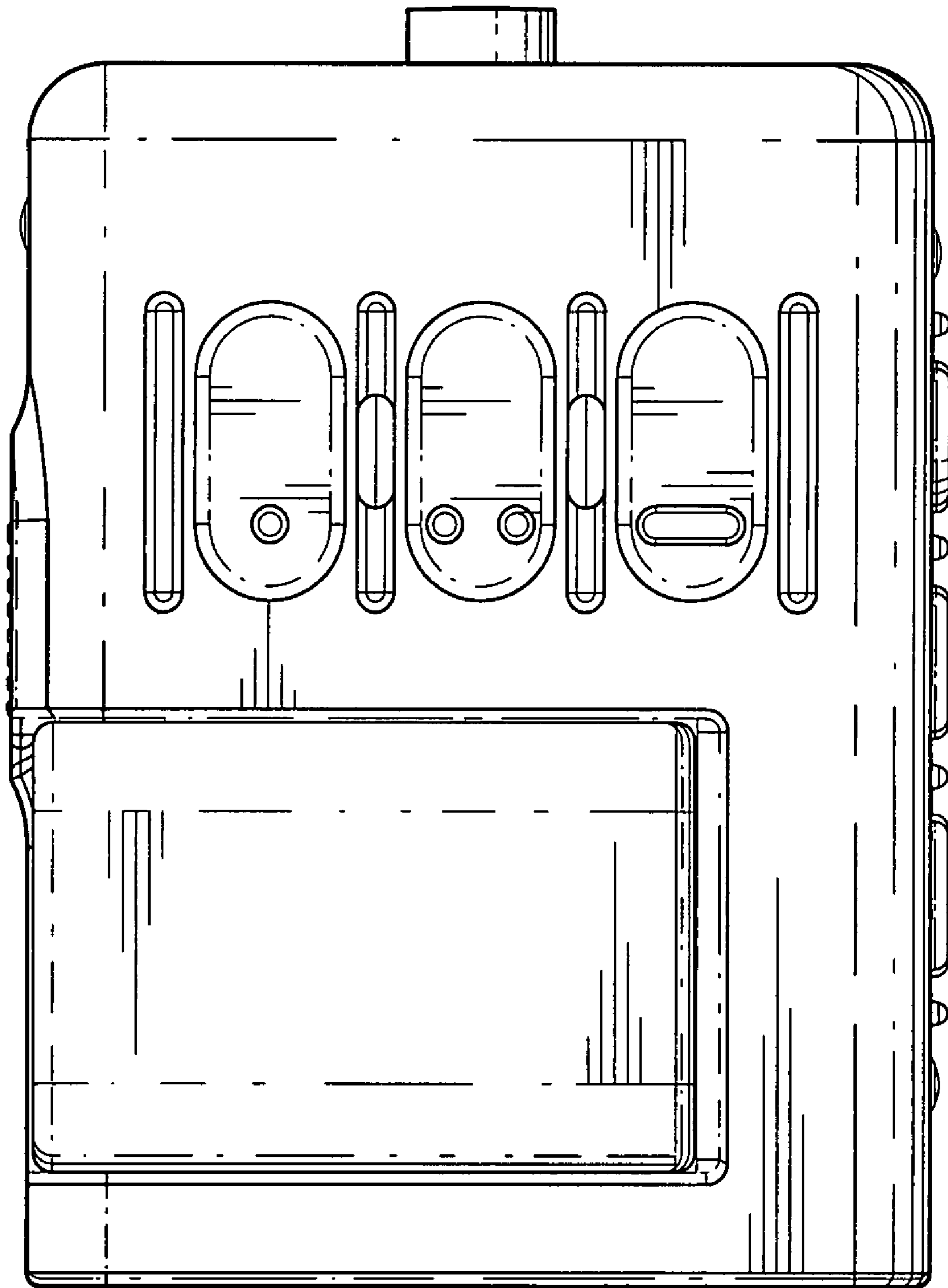


FIG. 1

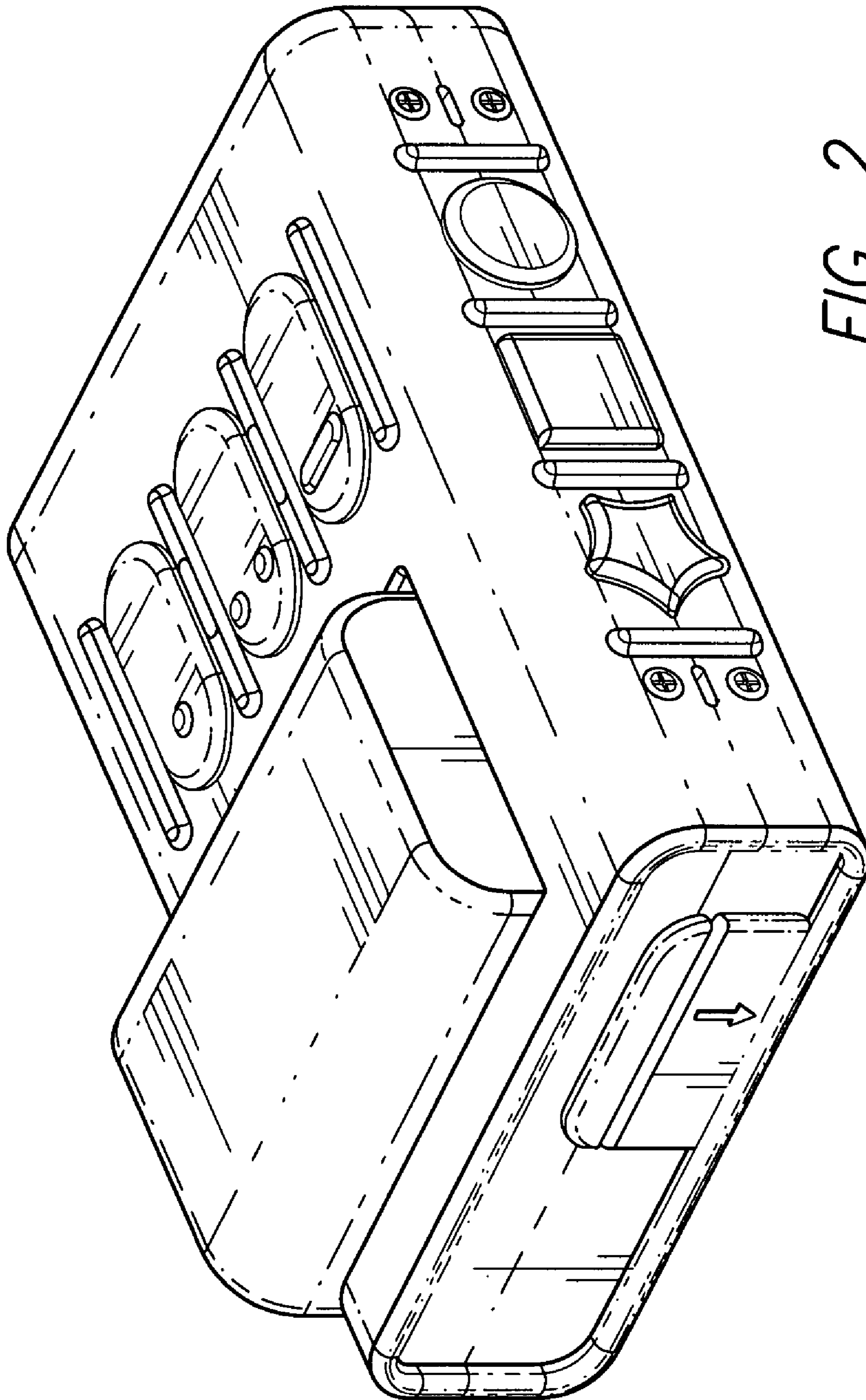


FIG. 2

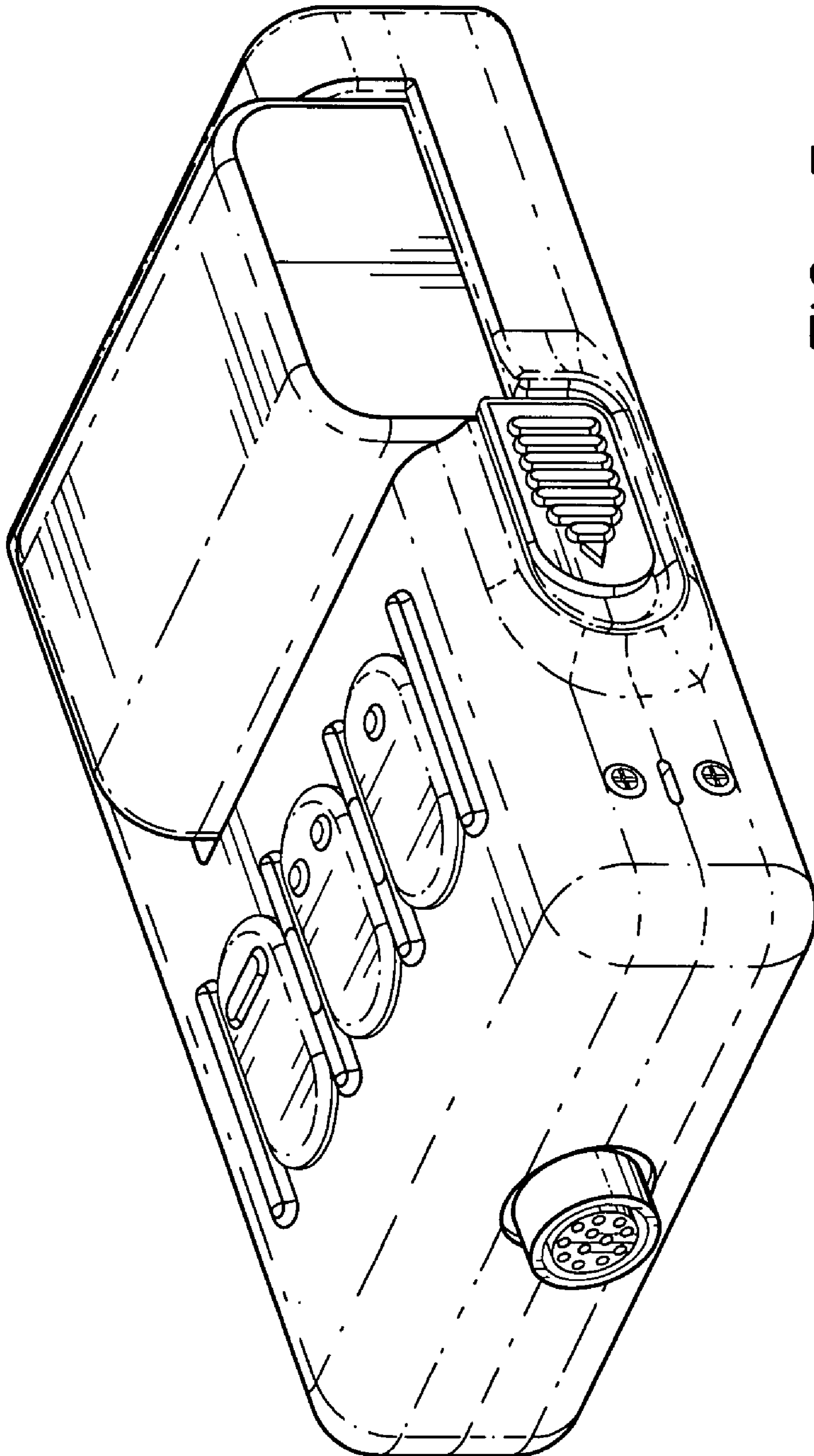


FIG. 3

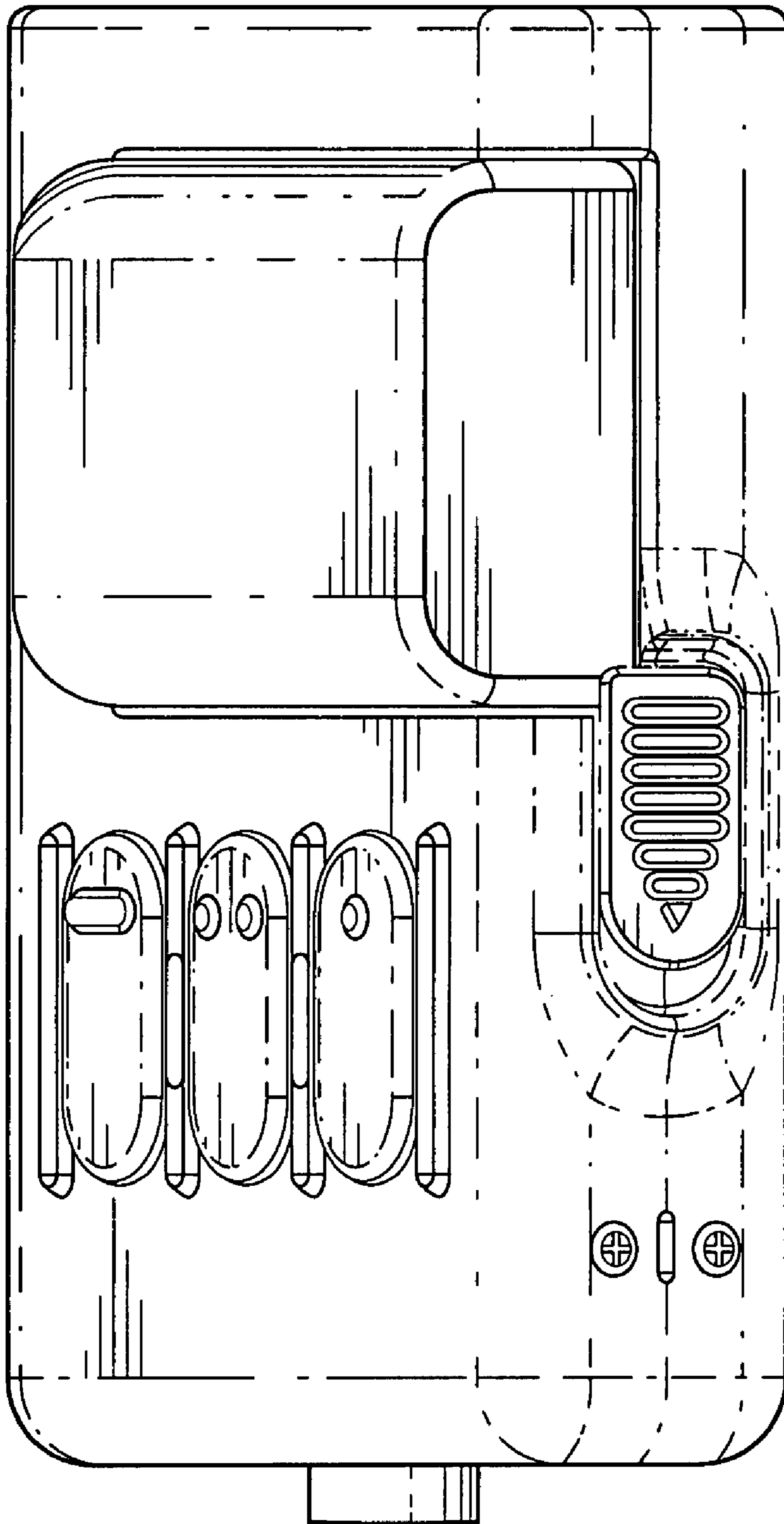


FIG. 4