

US00D599309S

(12) **United States Design Patent**
Guerrero et al.

(10) **Patent No.:** **US D599,309 S**

(45) **Date of Patent:** **** Sep. 1, 2009**

(54) **ANODE**
(75) Inventors: **Christian Guerrero**, Travelers Rest, SC (US); **Jeff Poltorak**, Fountain Inn, SC (US); **Lance Paul Thornton**, Simpsonville, SC (US); **Yongjian Qiu**, Greenville, SC (US)

(73) Assignee: **Kemet Electronics Corporation**, Greenville, SC (US)

(**) Term: **14 Years**

(21) Appl. No.: **29/331,420**

(22) Filed: **Jan. 26, 2009**

Related U.S. Application Data

(62) Division of application No. 29/273,067, filed on Feb. 26, 2007, now Pat. No. Des. 586,767.

(51) **LOC (9) Cl.** **13-03**

(52) **U.S. Cl.** **D13/182**

(58) **Field of Classification Search** D13/182;
29/25.03; 361/508, 523, 528, 529
See application file for complete search history.

(56) **References Cited**

U.S. PATENT DOCUMENTS

- 3,345,545 A * 10/1967 Bourgault et al. 361/529
- 3,818,286 A * 6/1974 Ganz 361/529
- 4,162,518 A * 7/1979 Curlis, Jr. 361/528
- 4,517,626 A * 5/1985 Allen et al. 361/529
- 4,945,452 A * 7/1990 Sturmer et al. 361/529
- 5,250,373 A * 10/1993 Muffoletto et al. 429/161
- 5,461,538 A * 10/1995 Kuriyama 361/528

- 5,486,215 A * 1/1996 Kelm et al. 29/623.1
- 5,712,030 A * 1/1998 Goto et al. 428/332
- 6,051,038 A * 4/2000 Howard et al. 29/623.1
- 6,309,717 B1 * 10/2001 Qiu et al. 428/34.2
- 6,495,282 B1 * 12/2002 Yoshida et al. 429/156
- 6,510,044 B1 * 1/2003 Loffelholz et al. 361/510
- 6,870,727 B2 * 3/2005 Edson et al. 361/523
- 6,912,117 B2 * 6/2005 Arai et al. 361/523
- 7,016,179 B2 * 3/2006 Ando 361/523
- D586,767 S * 2/2009 Guerrero et al. D13/182
- 2002/0026295 A1 * 2/2002 Sato et al. 703/1
- 2002/0045096 A1 * 4/2002 Sandberg et al. 429/163
- 2005/0162816 A1 * 7/2005 Fujii et al. 361/523
- 2005/0174719 A1 * 8/2005 Heusmann et al. 361/271
- 2006/0164793 A1 * 7/2006 Fujimoto 361/528
- 2008/0106852 A1 * 5/2008 Amita et al. 361/528
- 2008/0299335 A1 * 12/2008 Poltorak et al. 428/34.1
- 2008/0299371 A1 * 12/2008 Poltorak et al. 428/220

* cited by examiner

Primary Examiner—Selina Sikder

(74) *Attorney, Agent, or Firm*—John B. Hardaway, III; Nexsen Pruet, LLC

(57) **CLAIM**

The ornamental design for an anode, as shown and described.

DESCRIPTION

FIG. 1 is a perspective view of the anode showing our new design.

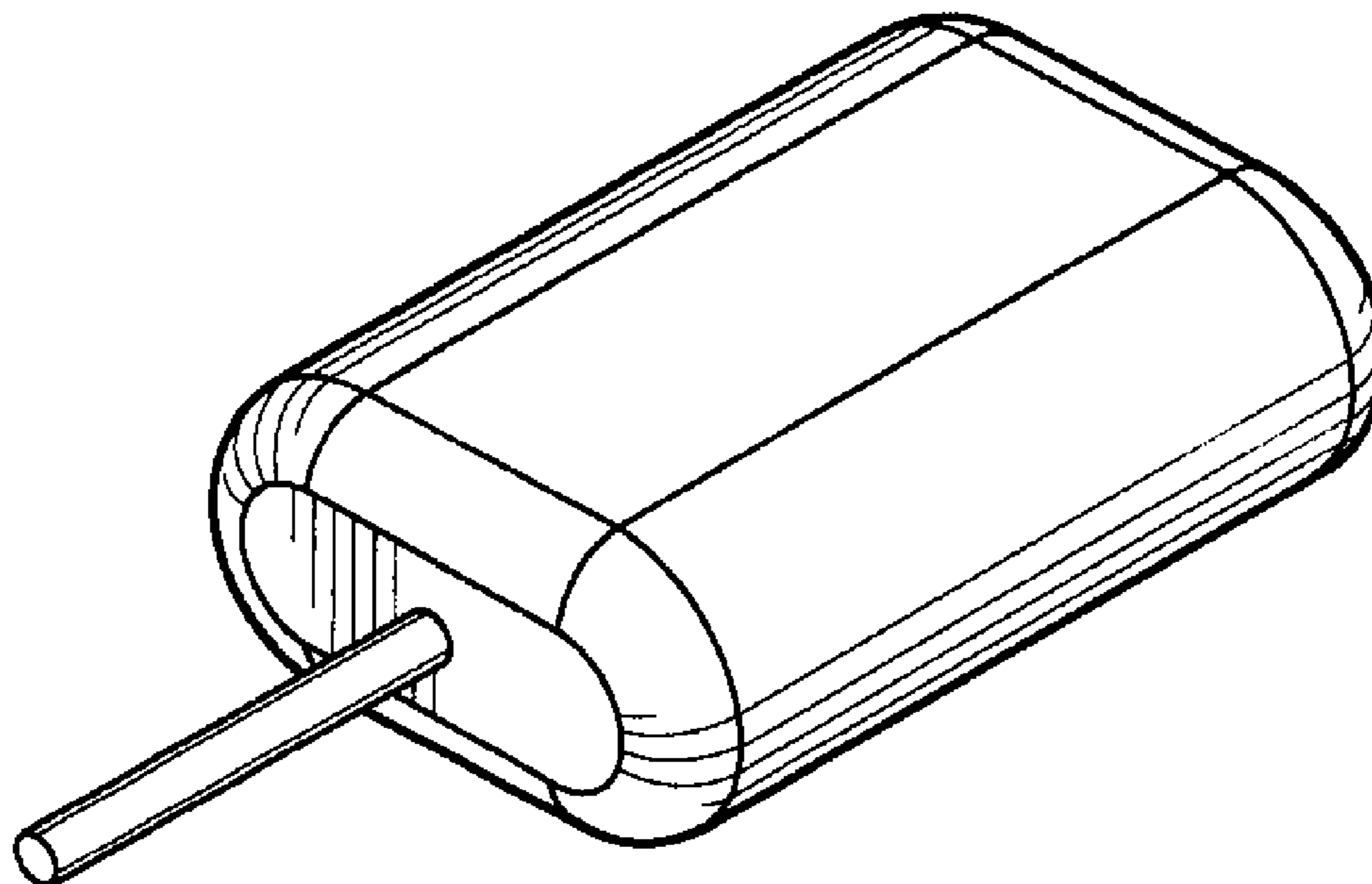
FIG. 2 is an end elevation thereof.

FIG. 3 is an end elevation from the opposite side.

FIG. 4 is a side elevation thereof; and,

FIG. 5 is a plan view thereof.

1 Claim, 1 Drawing Sheet



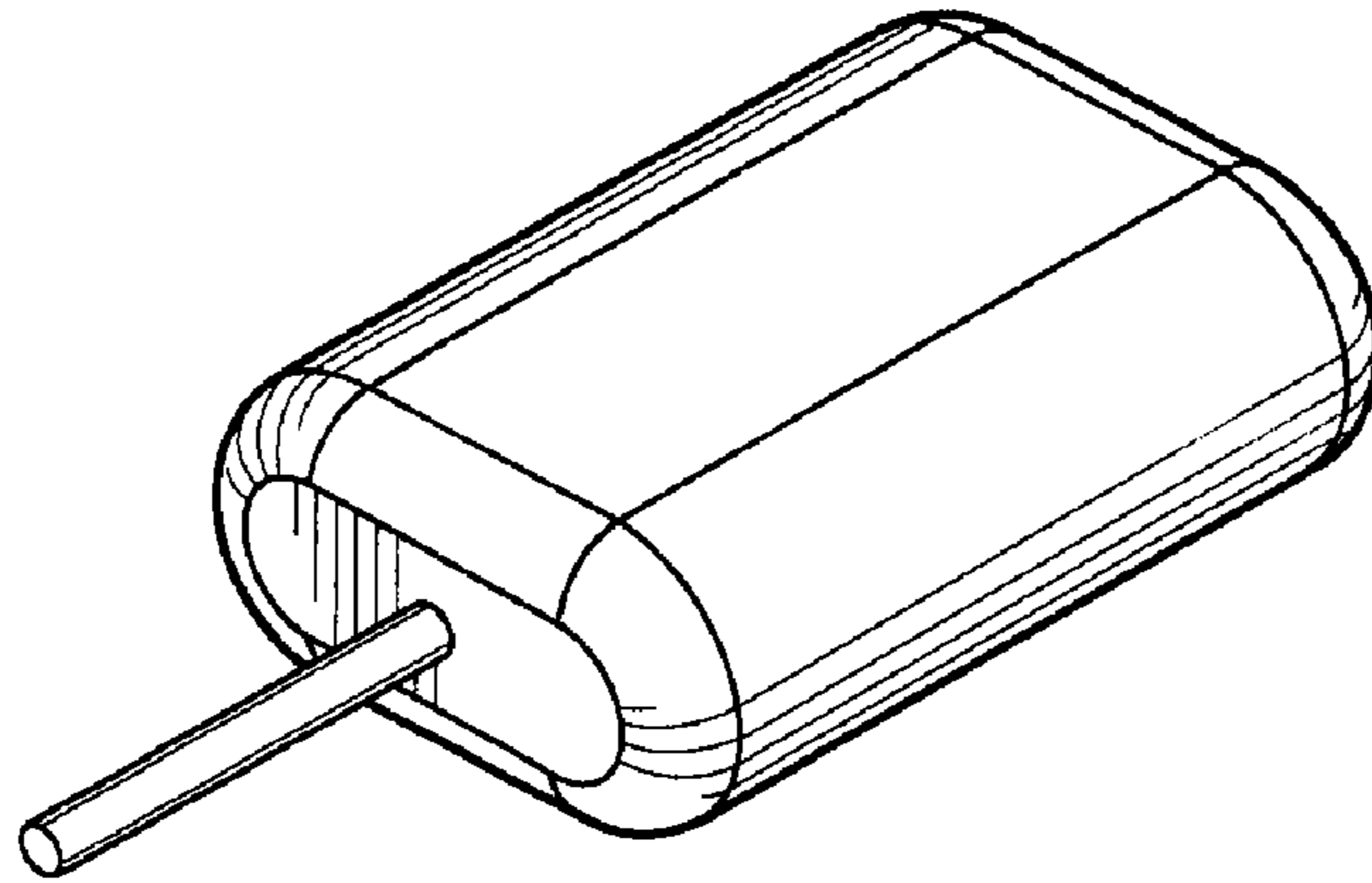


FIG. 1

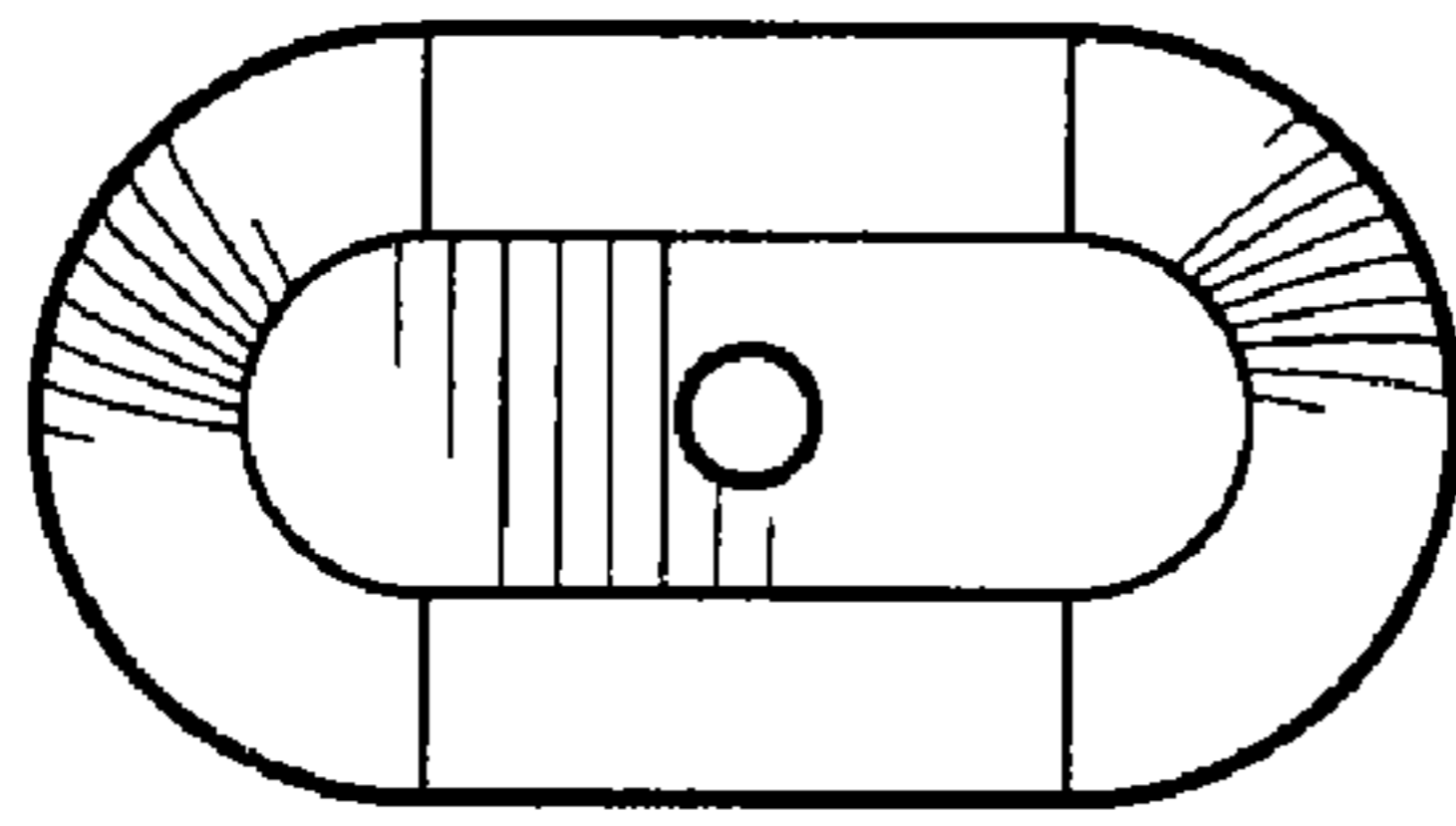


FIG. 2

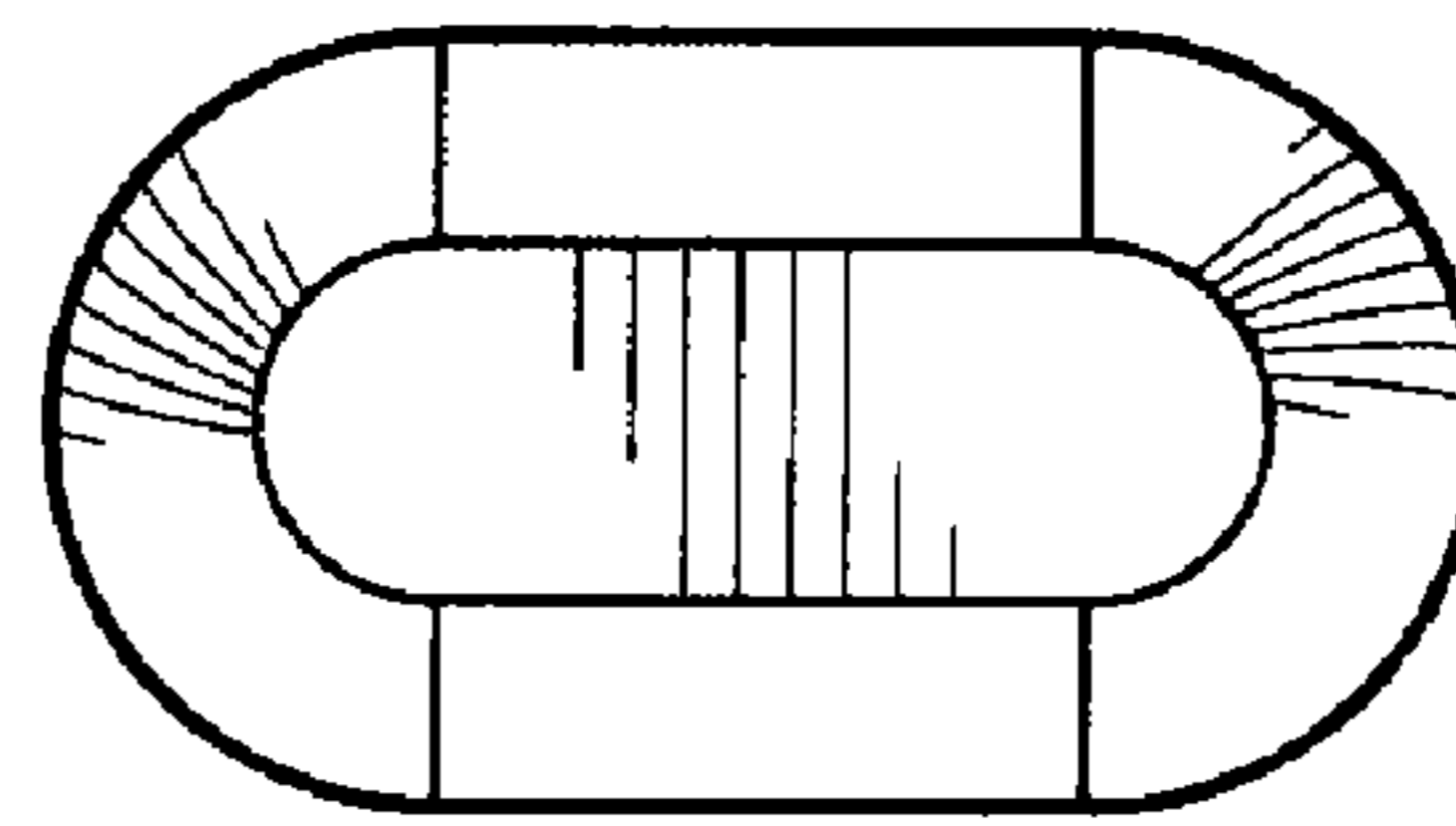


FIG. 3

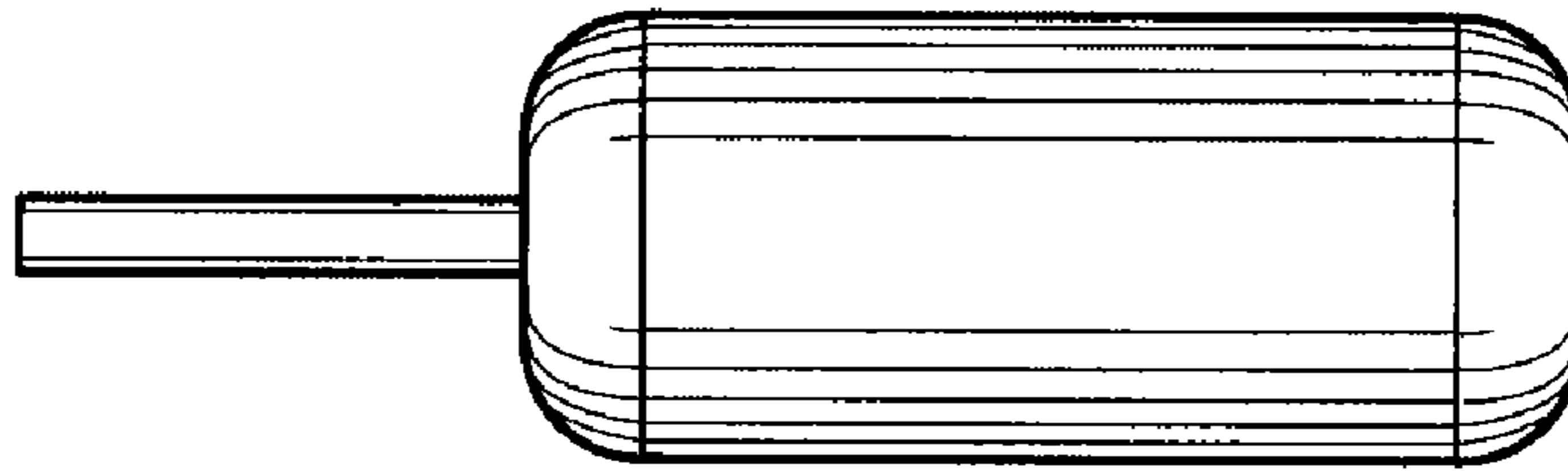


FIG. 4

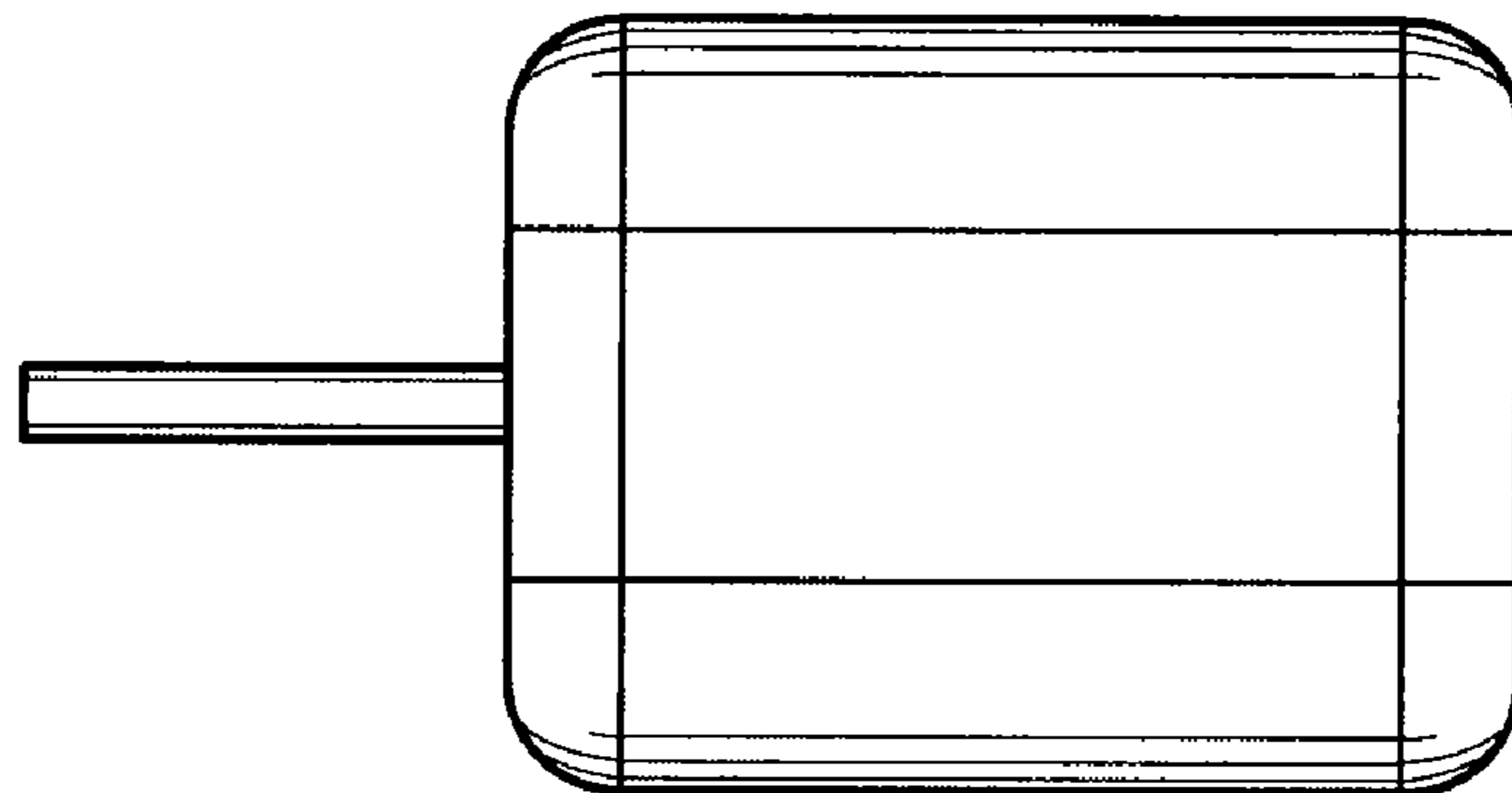


FIG. 5