

US00D599306S

(12) **United States Design Patent**  
**Kong**

(10) **Patent No.:** **US D599,306 S**

(45) **Date of Patent:** **\*\* Sep. 1, 2009**

(54) **LIGHT-EMITTING DIODE**

(75) Inventor: **Sung Min Kong**, Gwangju (KR)

(73) Assignee: **LG Innotek Co., Ltd.**, Seoul (KR)

(\*\*) Term: **14 Years**

(21) Appl. No.: **29/324,450**

(22) Filed: **Sep. 12, 2008**

(30) **Foreign Application Priority Data**

Apr. 22, 2008 (KR) ..... 30-2008-0016970

(51) **LOC (9) Cl.** ..... **13-03**

(52) **U.S. Cl.** ..... **D13/180**

(58) **Field of Classification Search** ..... D13/180;  
D26/2; 257/79, 80, 81, 88, 89, 95, 98, 99,  
257/100; 313/483, 498, 500; 362/555, 800  
See application file for complete search history.

(56) **References Cited**

**U.S. PATENT DOCUMENTS**

D490,062 S *	5/2004	Ishida	.....	D13/180
D490,386 S *	5/2004	Ishida	.....	D13/180
D495,667 S *	9/2004	Kim et al.	.....	D13/180
D508,468 S *	8/2005	Ishida	.....	D13/180
D509,487 S *	9/2005	Ishida	.....	D13/180
D528,999 S *	9/2006	Cho et al.	.....	D13/180

D531,141 S *	10/2006	Tzeng	.....	D13/180
D533,517 S *	12/2006	Kim et al.	.....	D13/180
D537,798 S *	3/2007	Shin et al.	.....	D13/180
D551,181 S *	9/2007	Son	.....	D13/180
D558,156 S *	12/2007	Yoon et al.	.....	D13/180
D579,425 S *	10/2008	Yoon et al.	.....	D13/180

\* cited by examiner

*Primary Examiner*—Selina Sikder

(74) *Attorney, Agent, or Firm*—Birch, Stewart, Kolasch & Birch, LLP

(57) **CLAIM**

The ornamental design for a light-emitting diode, as shown and described.

**DESCRIPTION**

FIG. 1 is a top, front perspective view of the light-emitting diode showing my new design;

FIG. 2 is a front view thereof;

FIG. 3 is a rear view thereof;

FIG. 4 is a left side view thereof;

FIG. 5 is a right side view thereof;

FIG. 6 is a top plan view thereof; and,

FIG. 7 is a bottom plan view thereof.

**1 Claim, 2 Drawing Sheets**

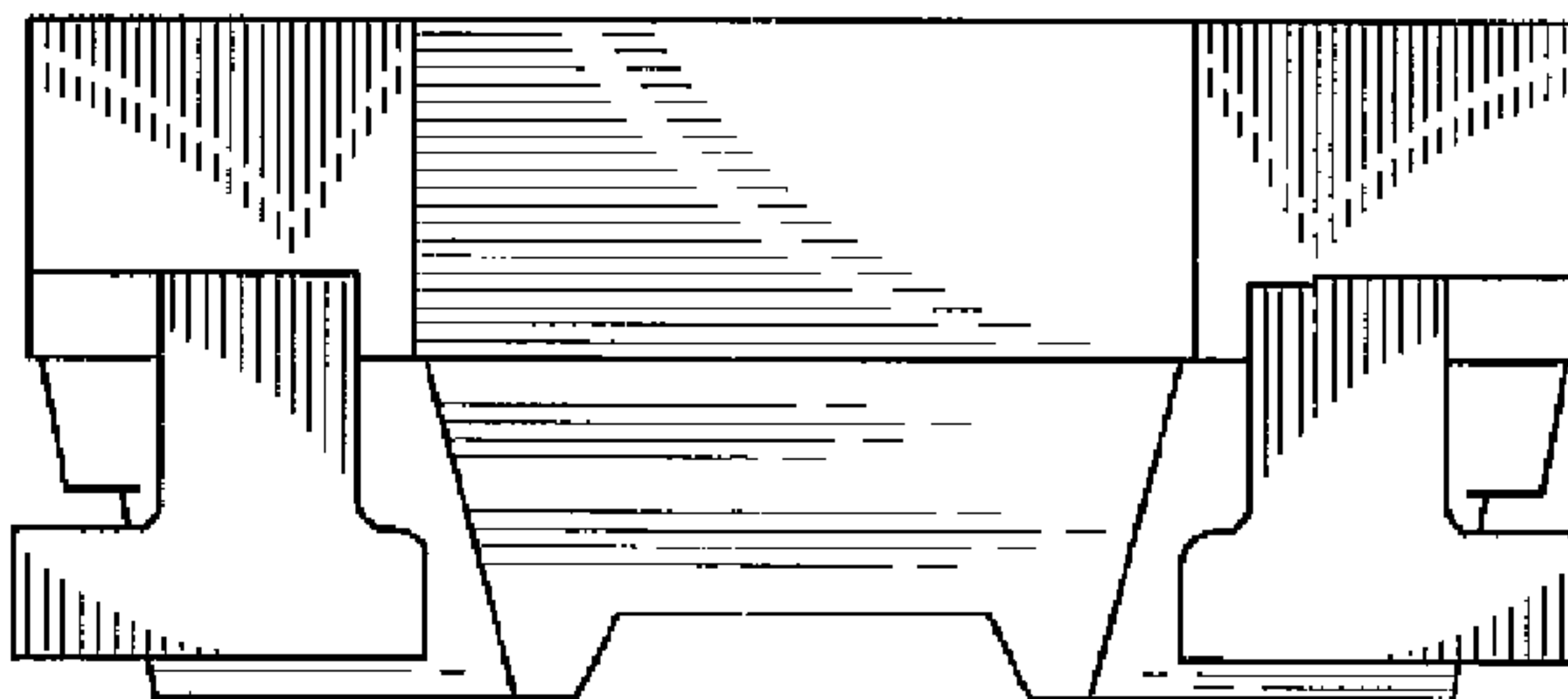
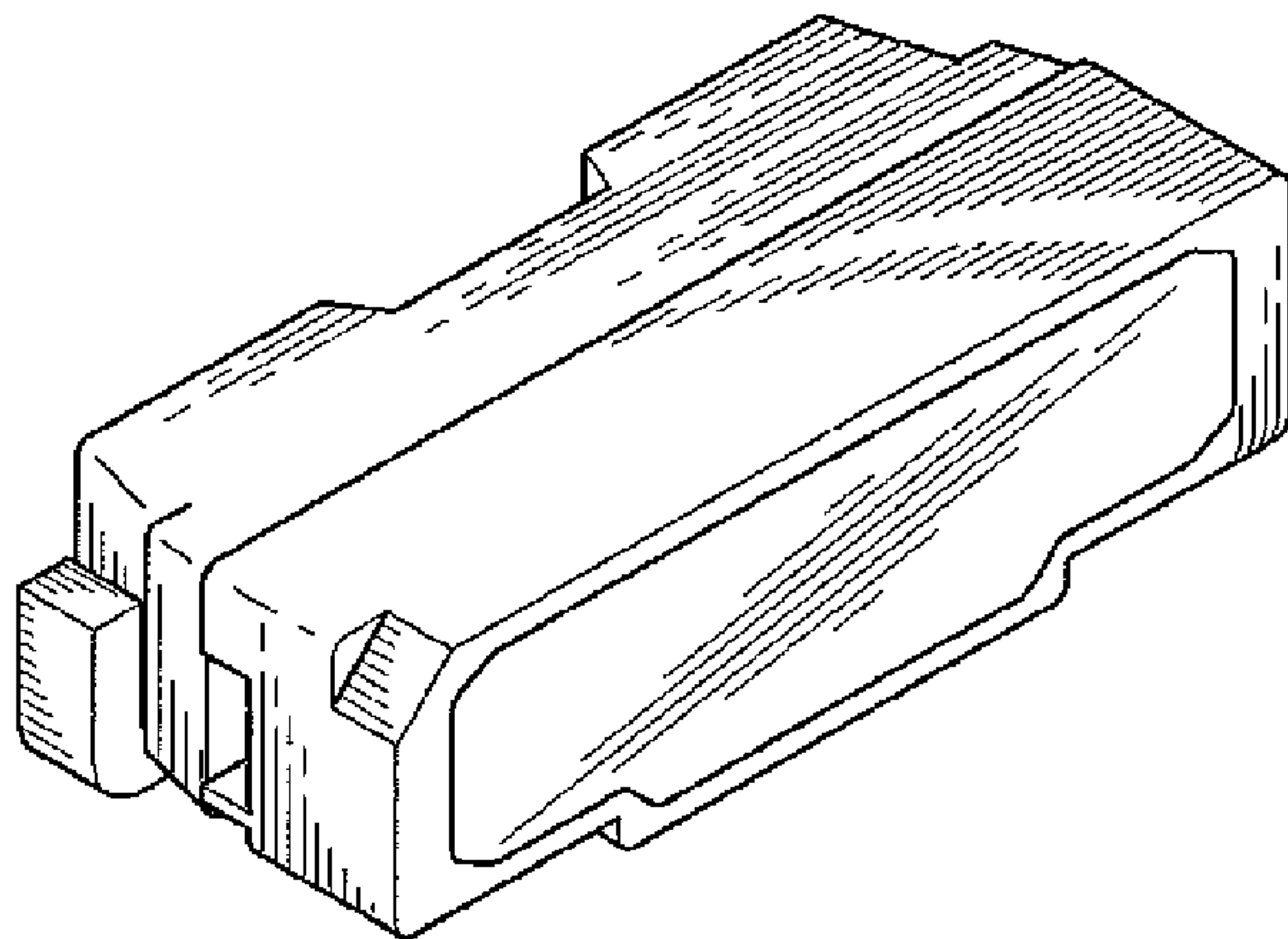


Fig. 1

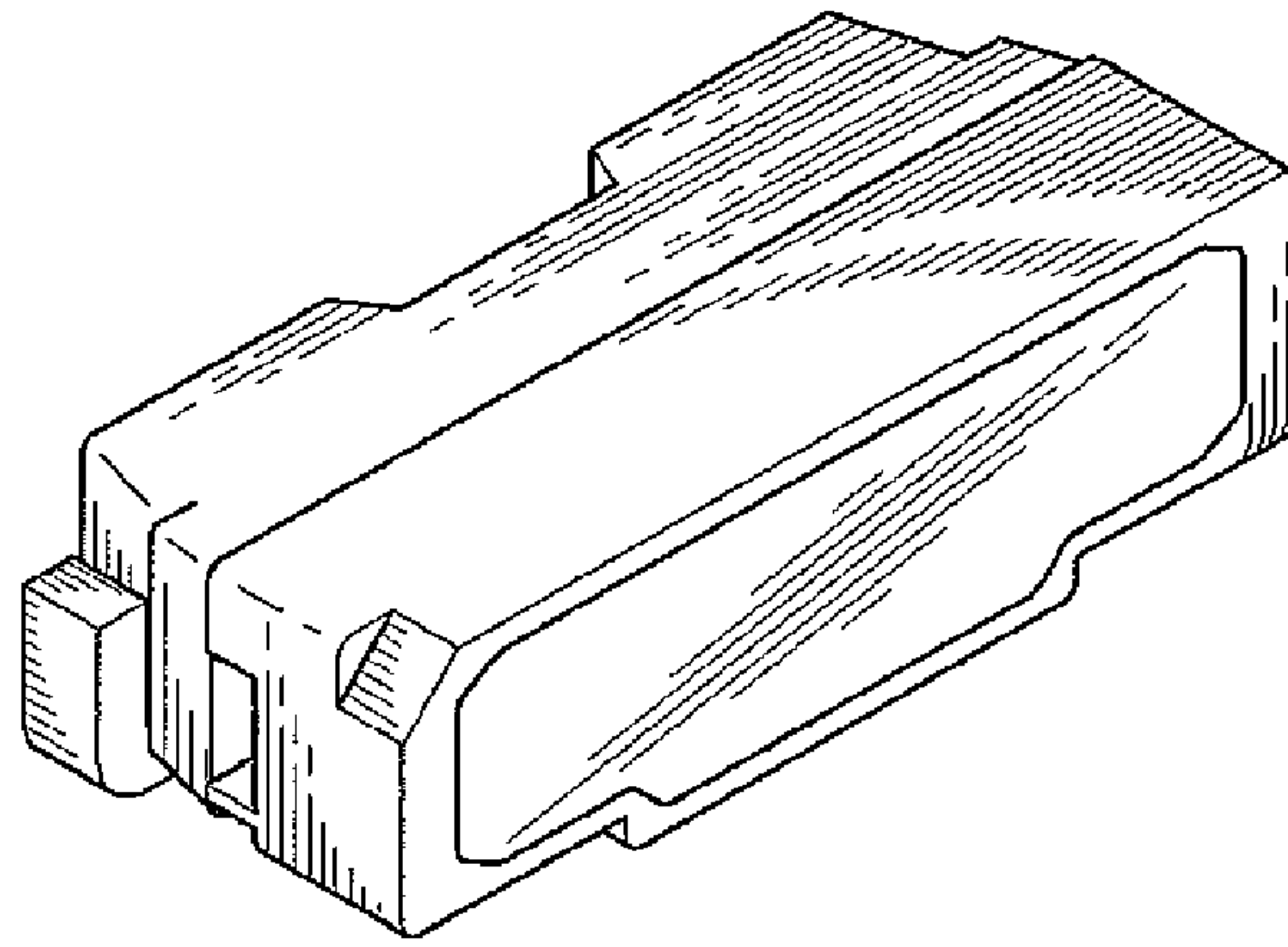


Fig. 2

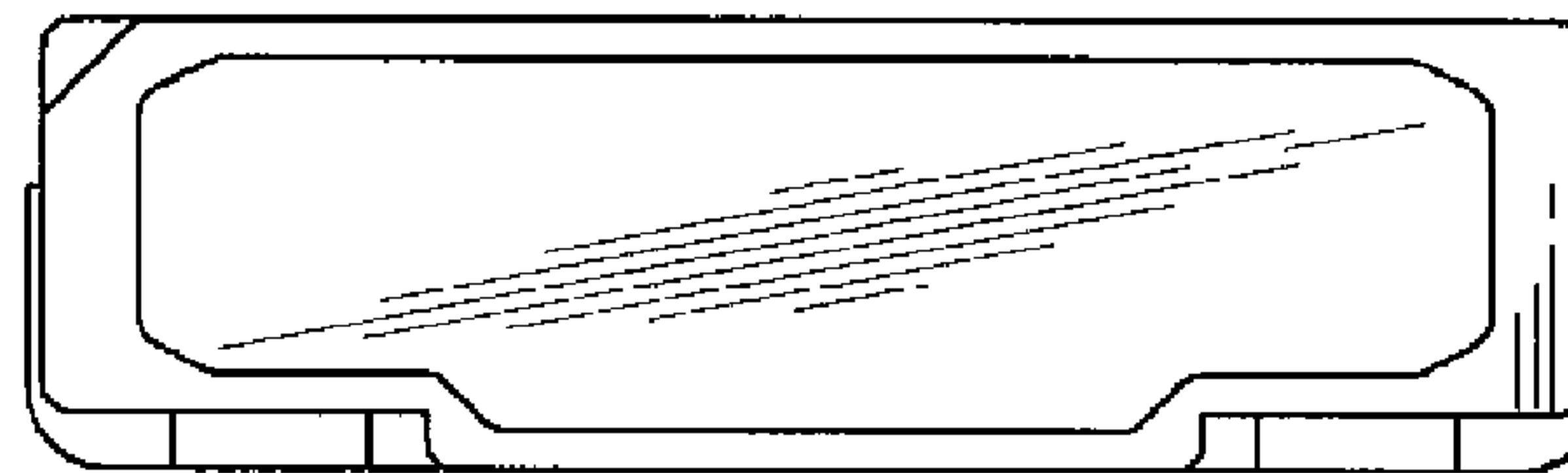


Fig. 3

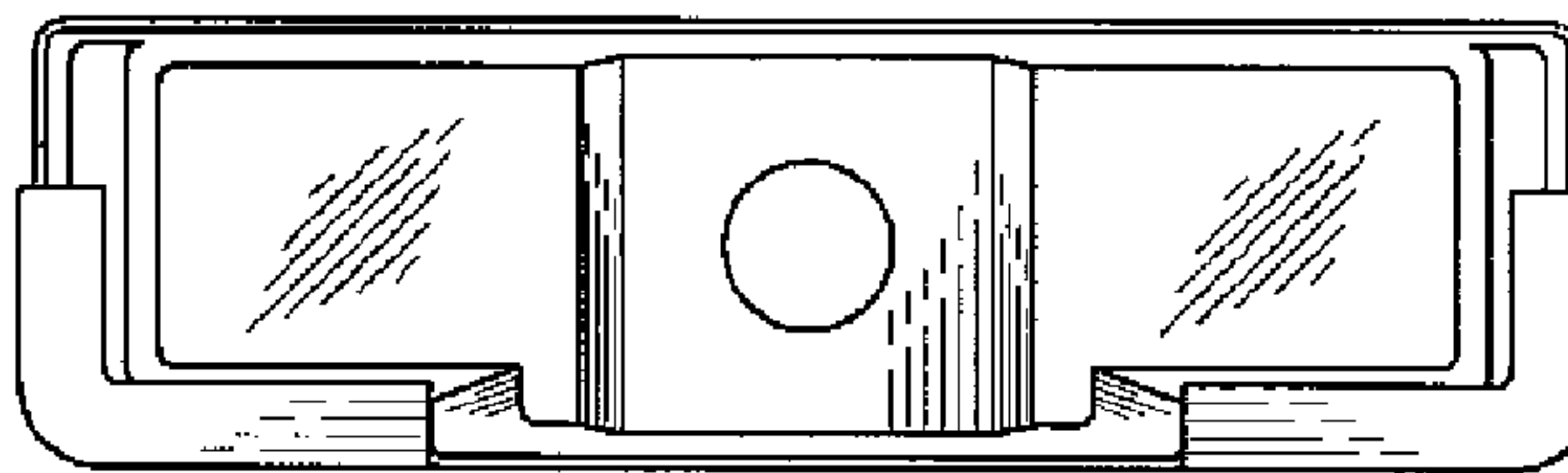


Fig. 4

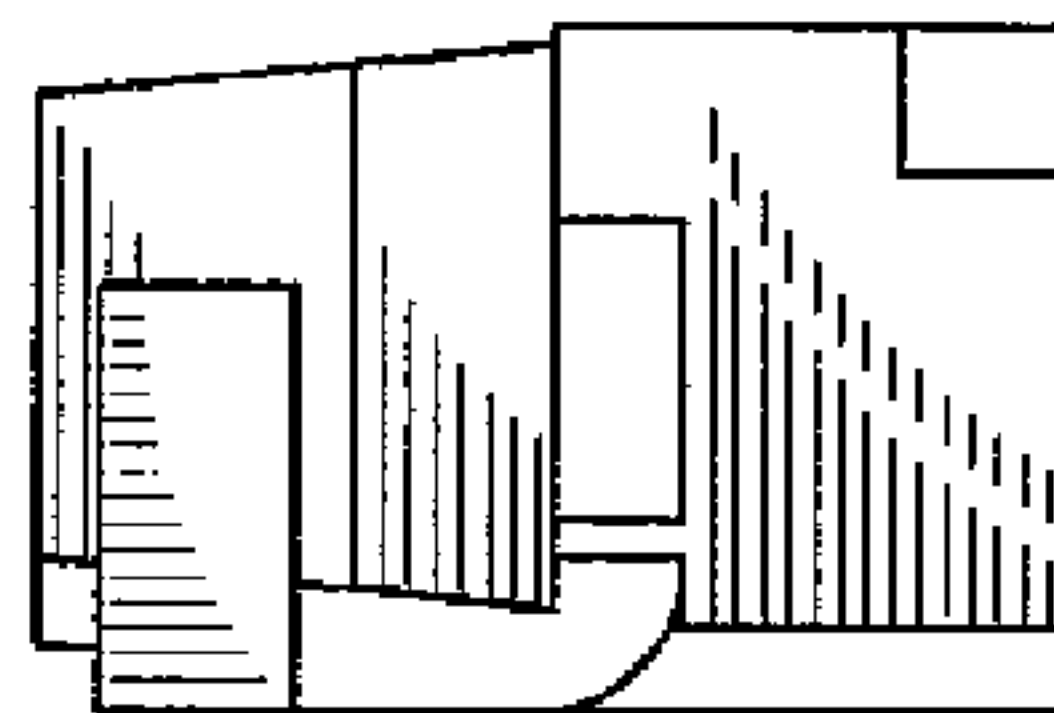


Fig. 5

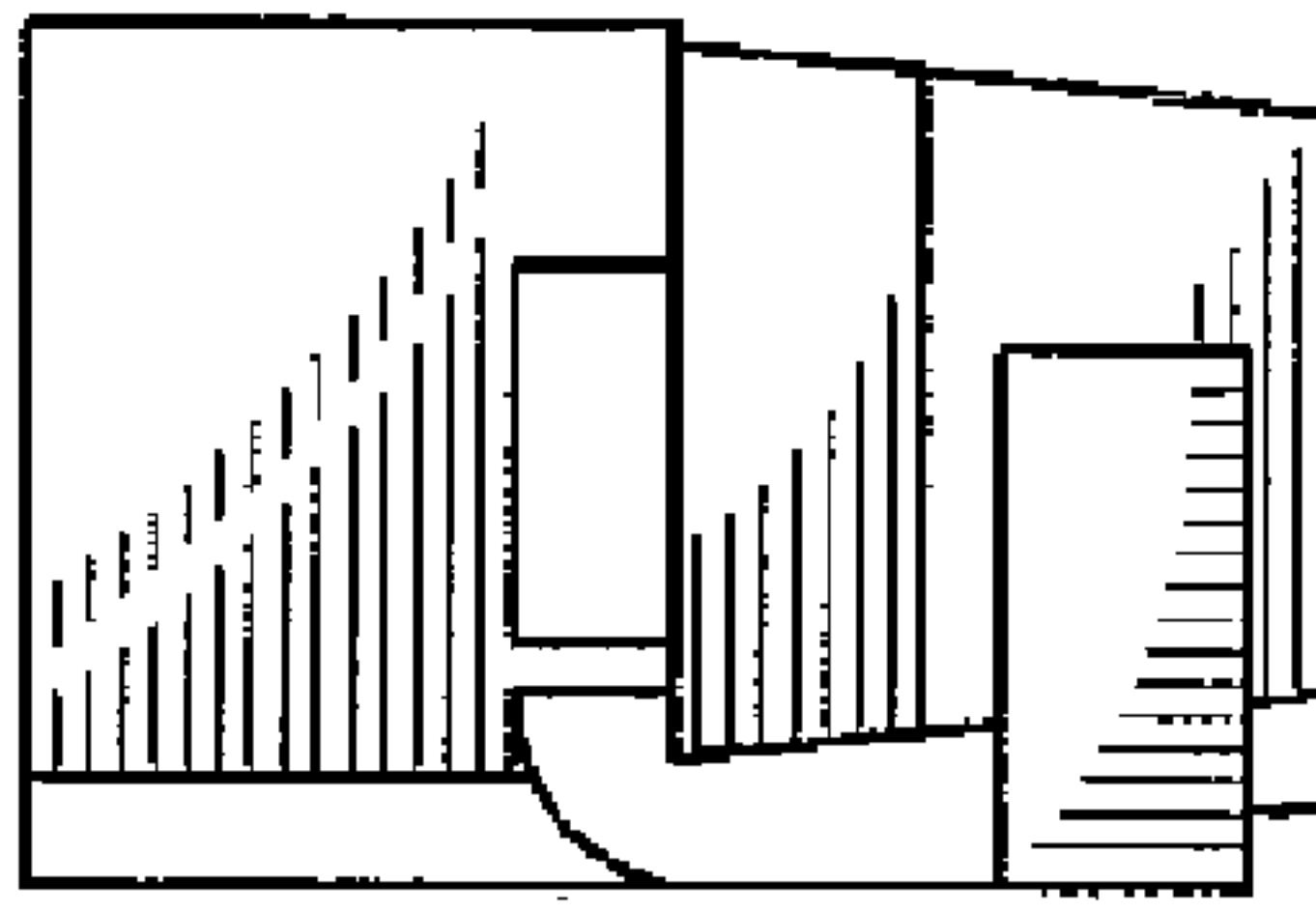


Fig. 6

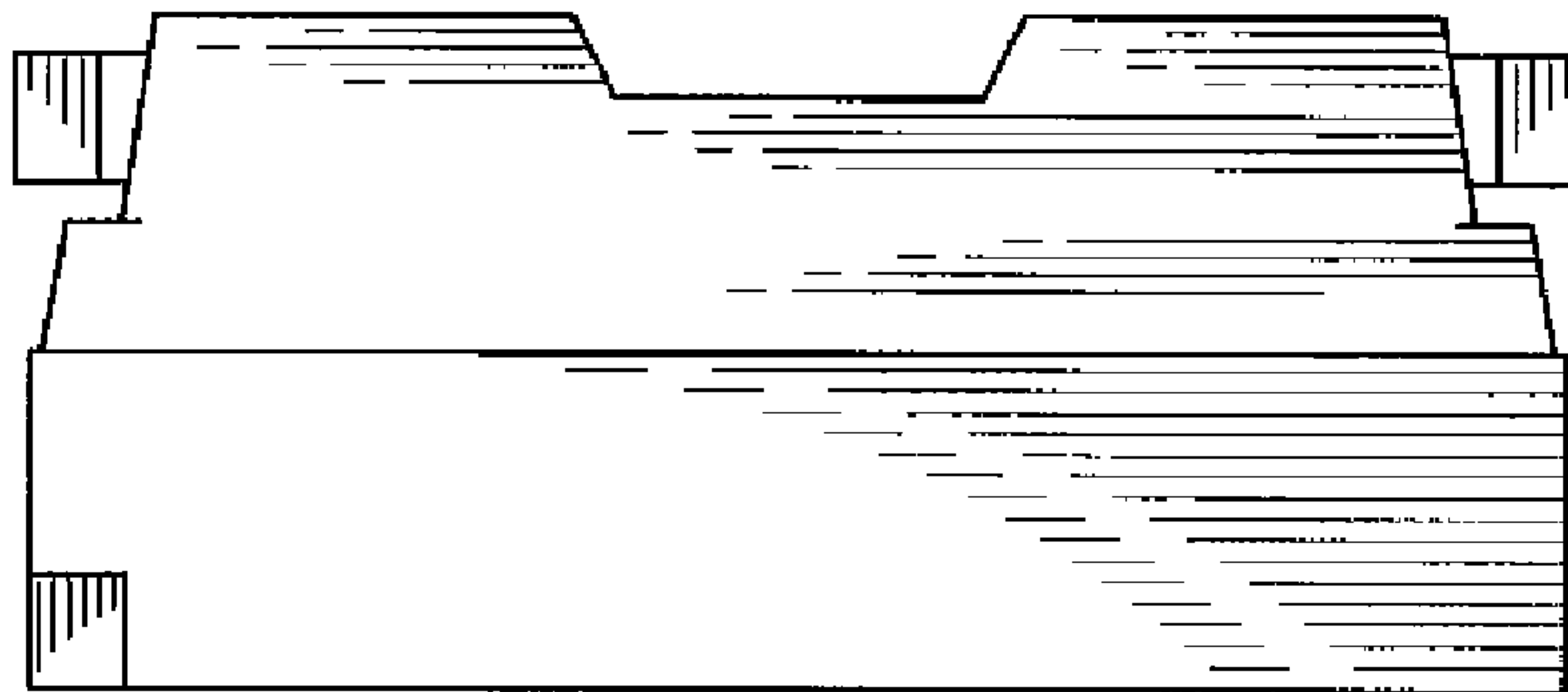


Fig. 7

