



US00D599305S

(12) **United States Design Patent**  
**Kim et al.**

(10) **Patent No.:** **US D599,305 S**  
(45) **Date of Patent:** **\*\* Sep. 1, 2009**

(54) **LIGHT EMITTING DIODE**

(75) Inventors: **Sun-Hong Kim**, Incheon (KR);  
**Jin-Won Lee**, Yongin-si (KR);  
**Kyoung-Il Park**, Osan-si (KR)

(73) Assignee: **Alti-Electronics Co., Ltd.** (KR)

(\*\*) Term: **14 Years**

(21) Appl. No.: **29/324,178**

(22) Filed: **Sep. 8, 2008**

(30) **Foreign Application Priority Data**

May 21, 2008 (KR) ..... 30-2008-0021343

(51) **LOC (9) Cl.** ..... **13-03**

(52) **U.S. Cl.** ..... **D13/180**

(58) **Field of Classification Search** ..... D13/180;  
D26/2; 257/79, 80, 81, 88, 89, 95, 98, 99,  
257/100; 313/483, 498, 500; 362/555, 800  
See application file for complete search history.

(56) **References Cited**

**U.S. PATENT DOCUMENTS**

D534,132 S \* 12/2006 Yoon ..... D13/180  
7,242,035 B2 \* 7/2007 Kim et al. .... 257/99  
D551,181 S \* 9/2007 Son ..... D13/180

D558,693 S \* 1/2008 Shin et al. .... D13/180  
7,422,338 B2 \* 9/2008 Kono et al. .... 362/27  
2006/0023451 A1 \* 2/2006 Han et al. .... 362/249

\* cited by examiner

*Primary Examiner*—Selina Sikder

(74) *Attorney, Agent, or Firm*—The Farrell Law Firm, LLP

(57) **CLAIM**

The ornamental design for a light emitting diode, as shown and described.

**DESCRIPTION**

FIG. 1 is a perspective view of a light emitting diode showing our new design;

FIG. 2 is a front elevational view thereof;

FIG. 3 is a rear elevational view thereof;

FIG. 4 is a left side elevational view thereof;

FIG. 5 is a right side elevational view thereof;

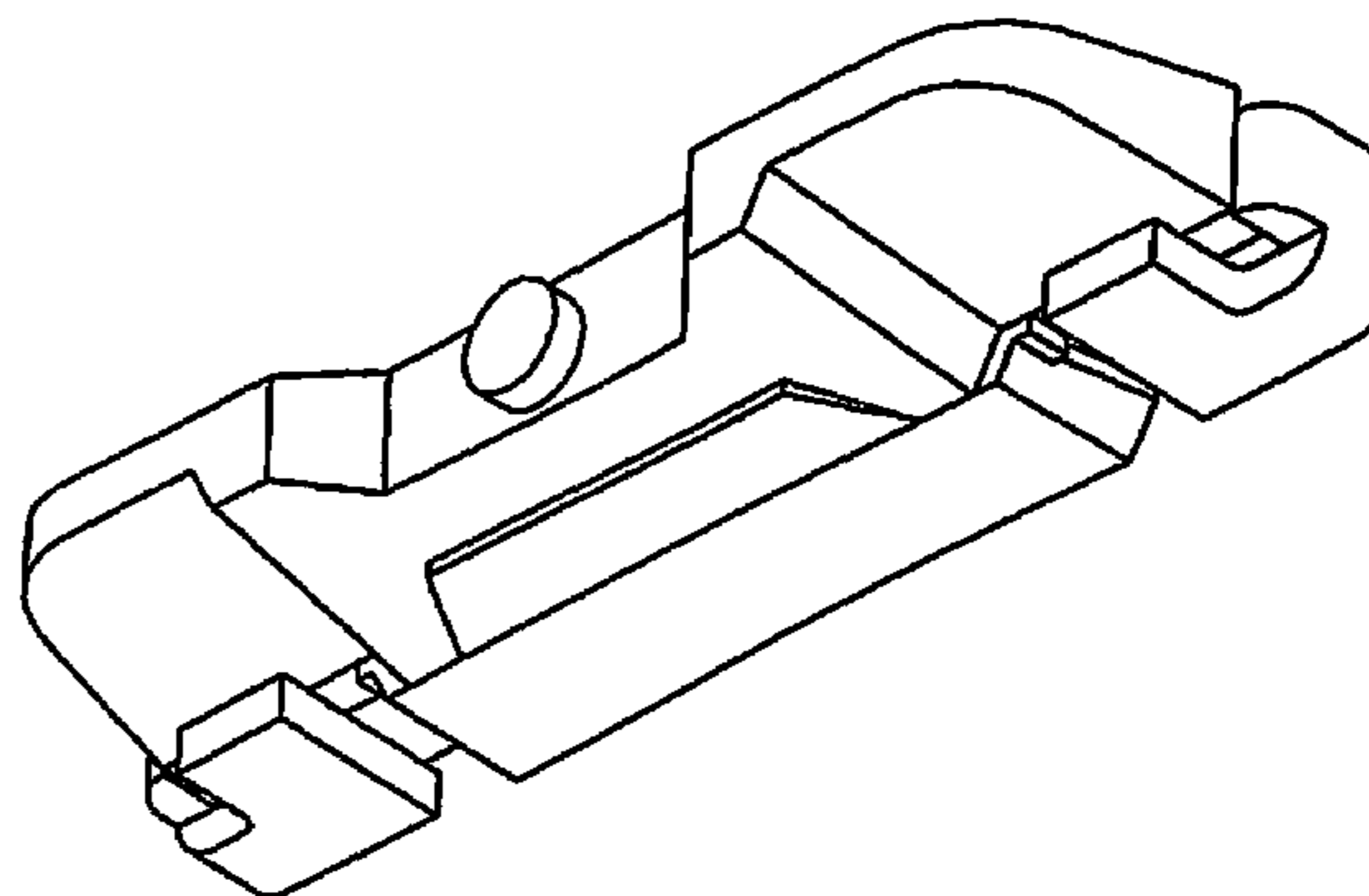
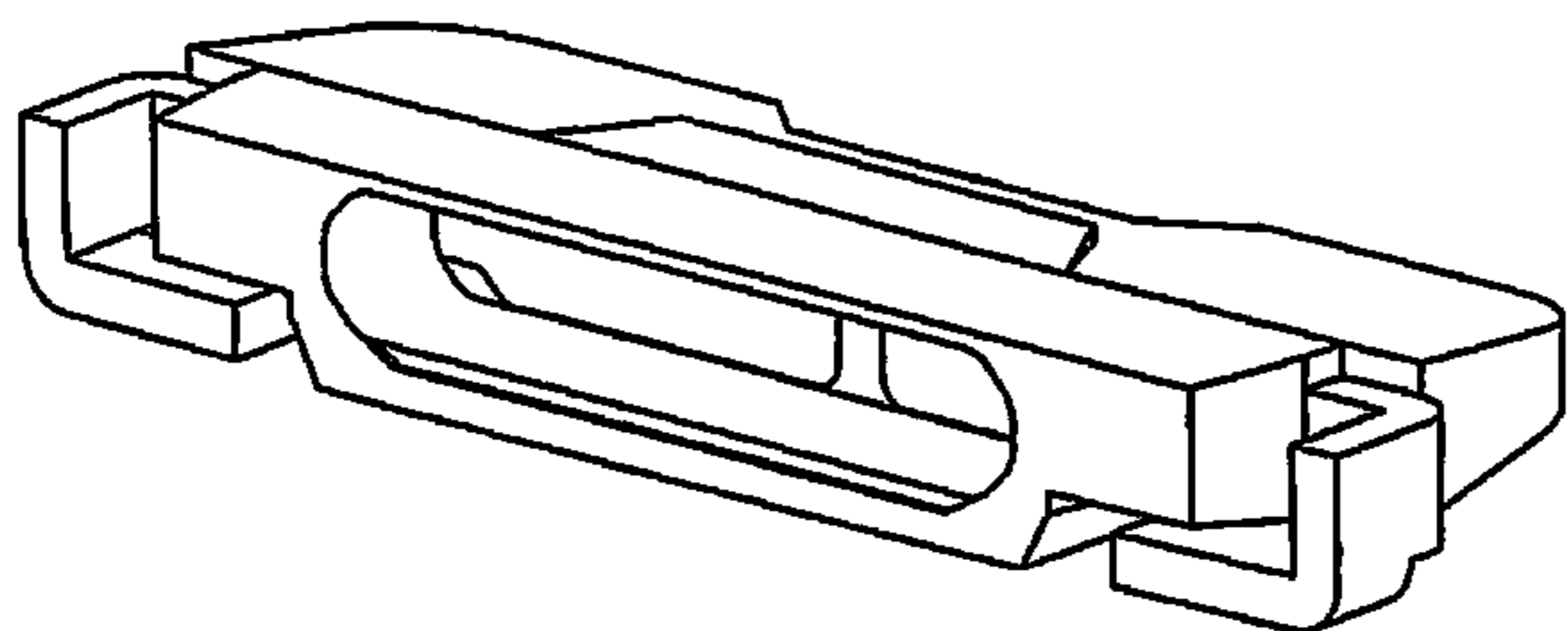
FIG. 6 is a top plan view thereof;

FIG. 7 is a bottom plan view thereof;

FIG. 8 is a rear top perspective view thereof; and,

FIG. 9 is a rear bottom perspective view thereof.

**1 Claim, 9 Drawing Sheets**



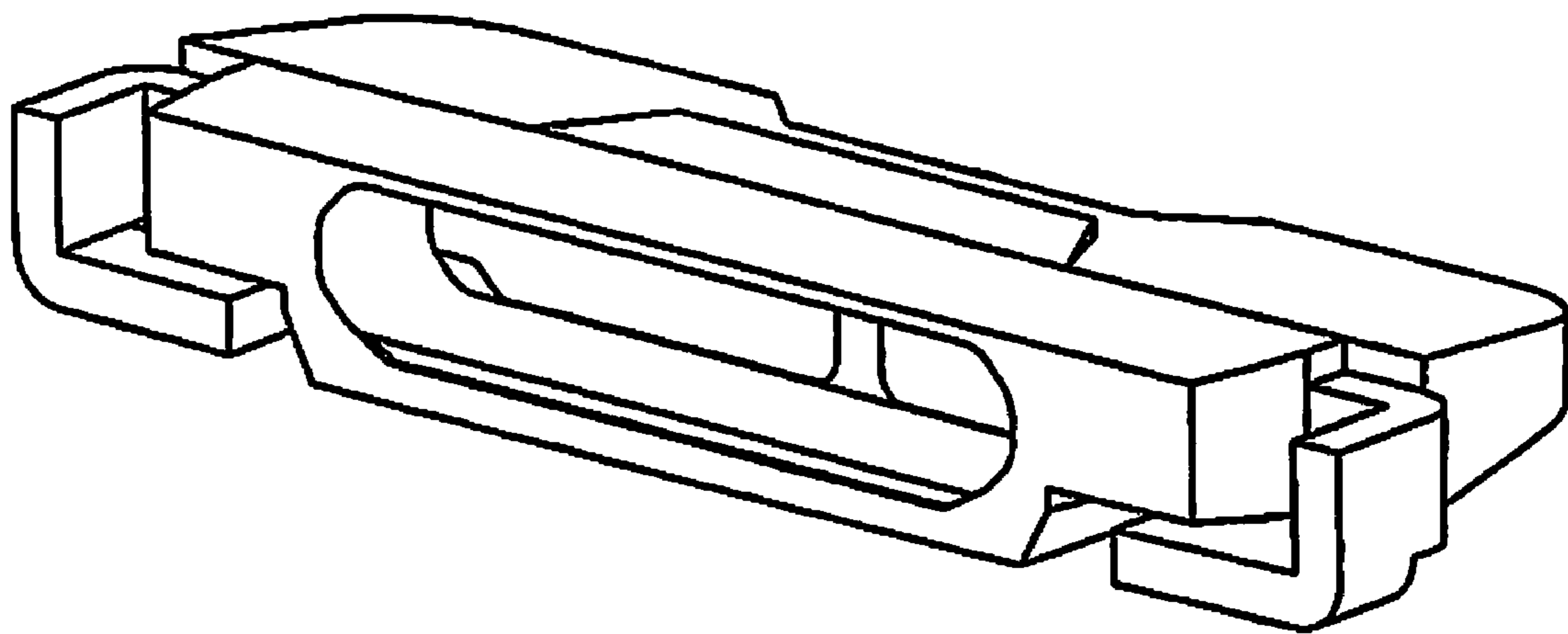


FIG. 1

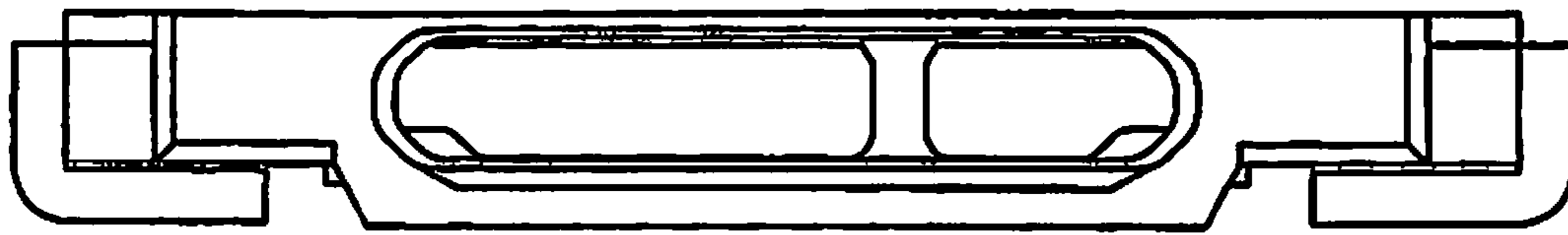


FIG. 2

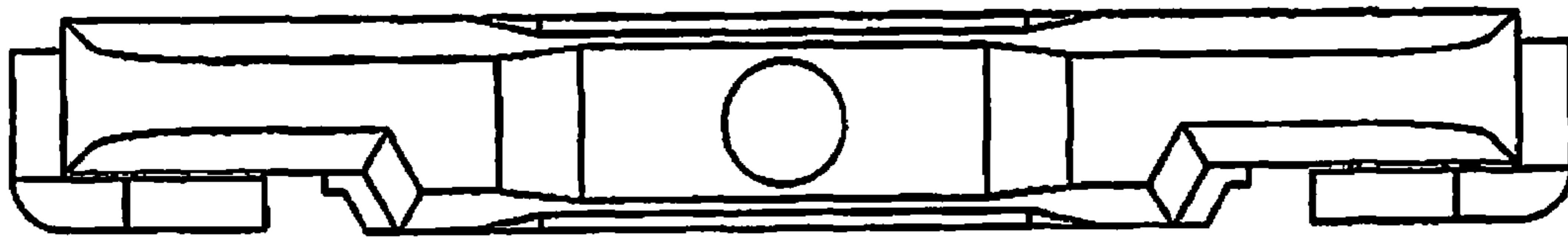


FIG. 3

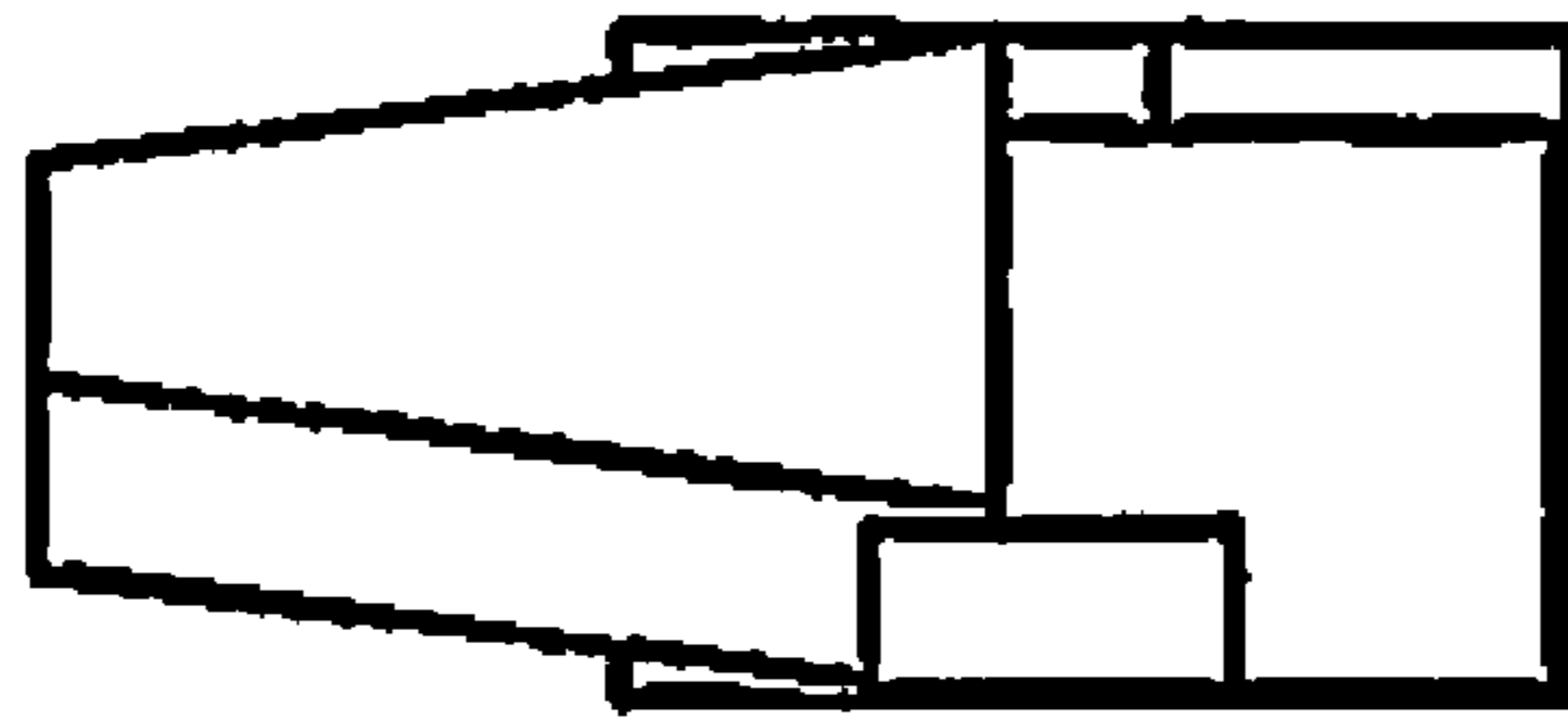


FIG. 4

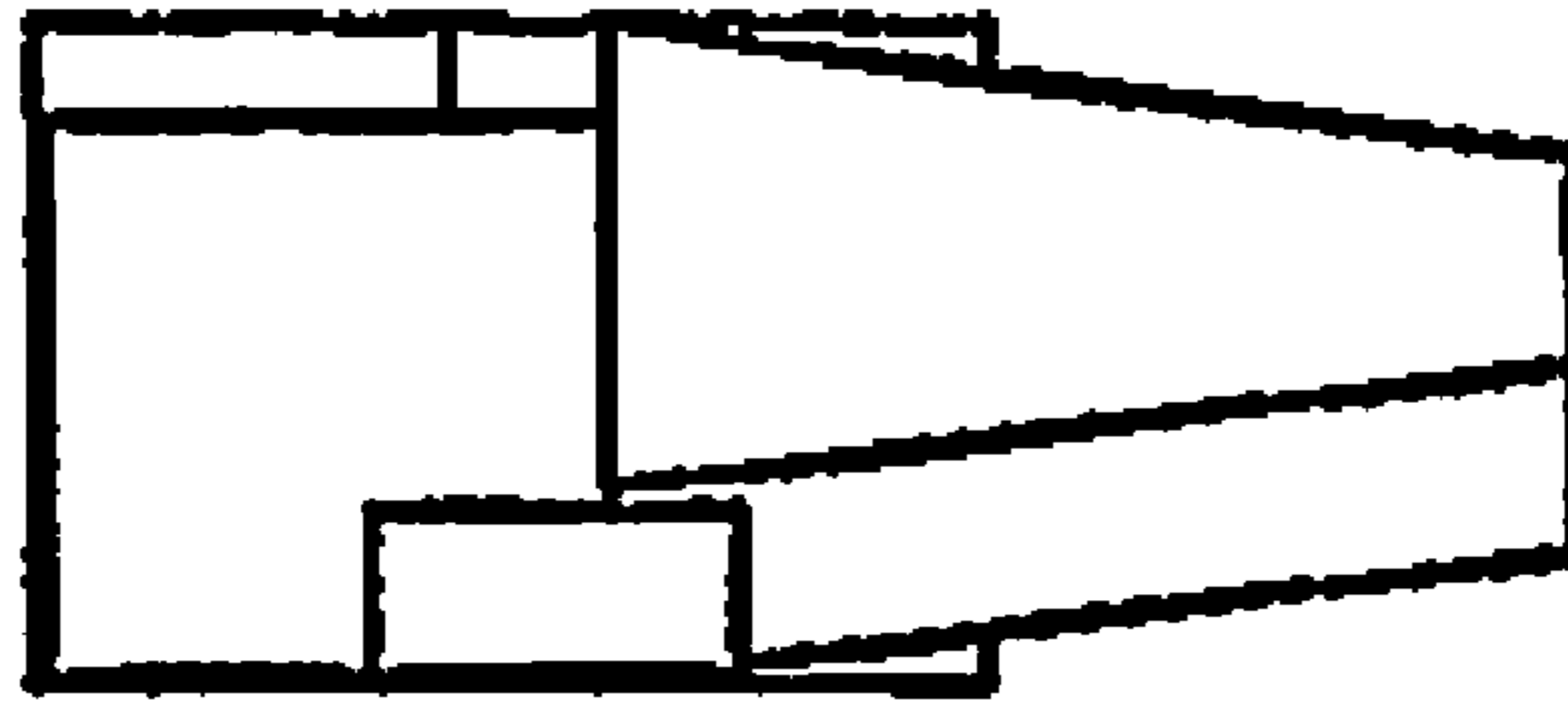


FIG. 5

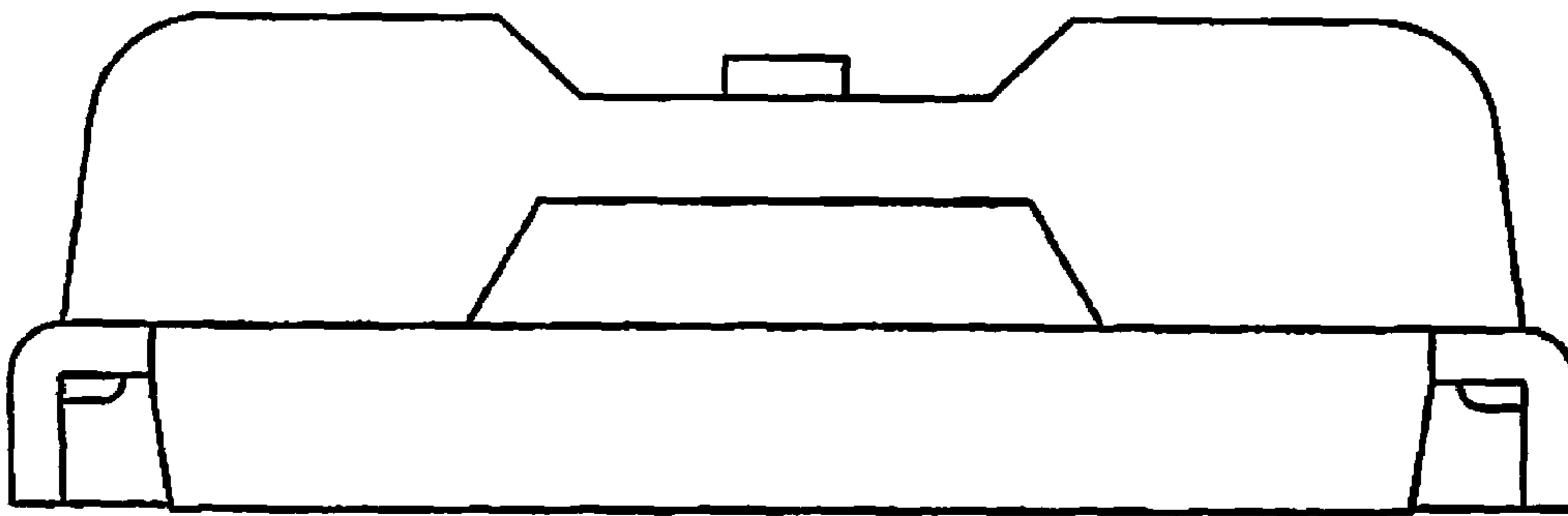


FIG. 6

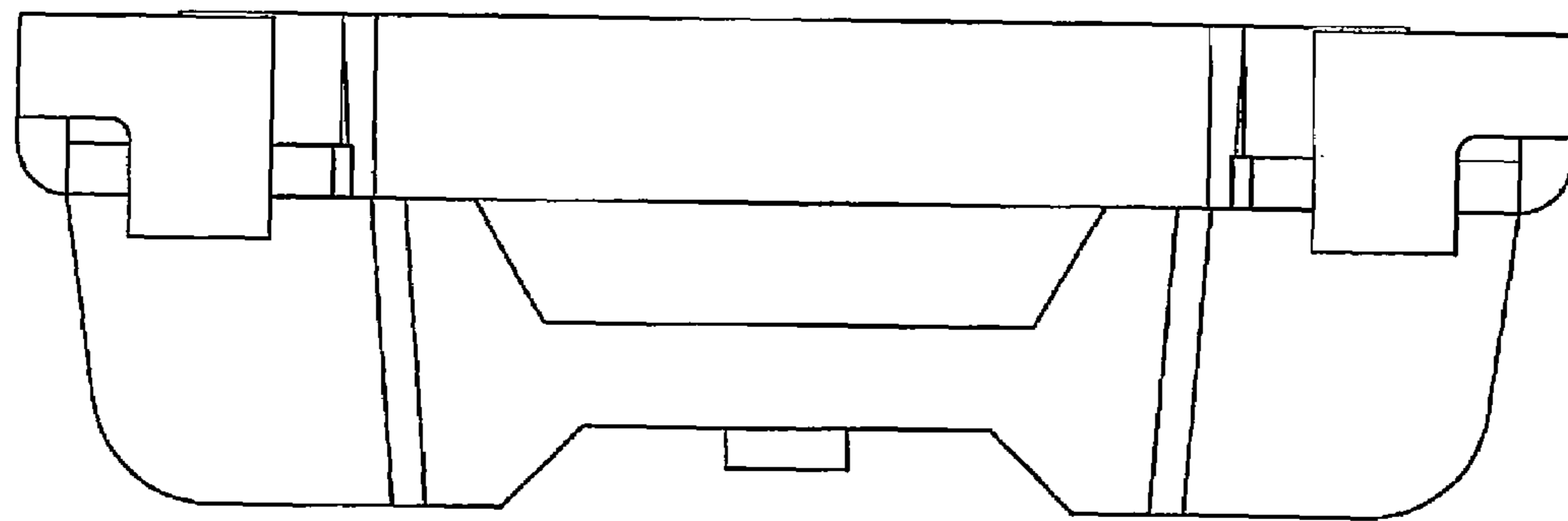


FIG. 7



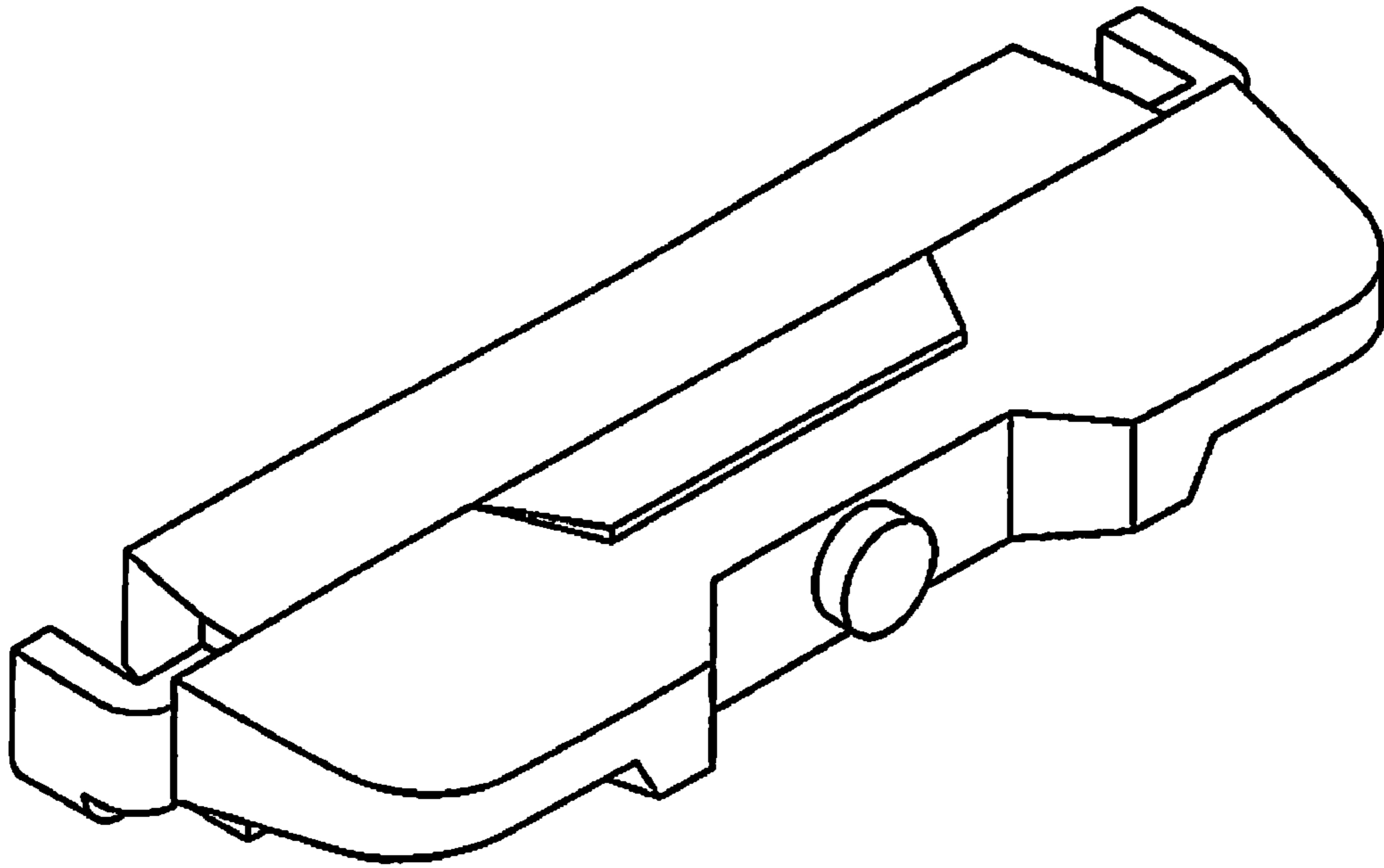


FIG. 8

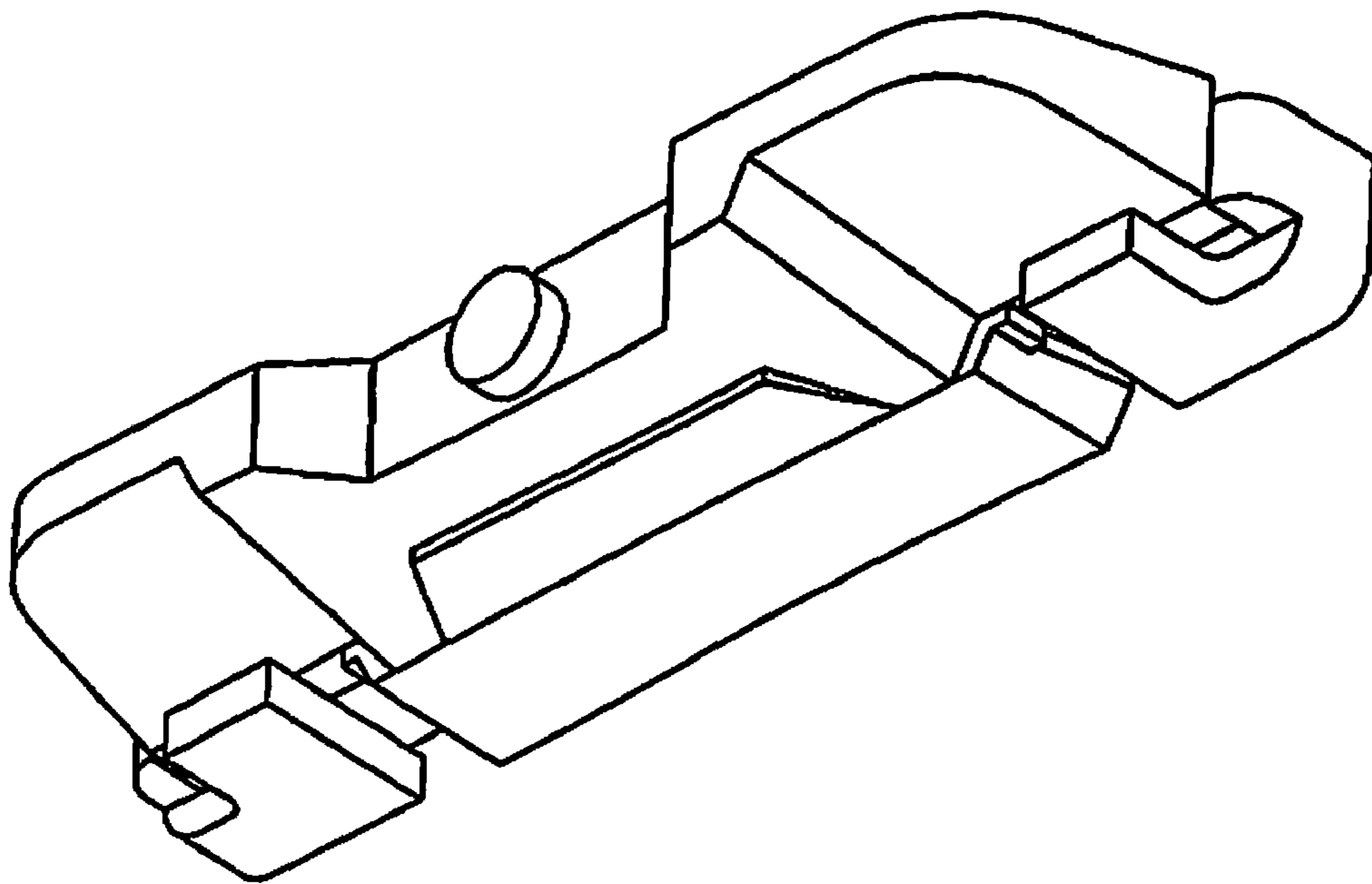


FIG. 9