



US00D599304S

(12) **United States Design Patent**
Kim et al.

(10) **Patent No.:** **US D599,304 S**
(45) **Date of Patent:** **** Sep. 1, 2009**

(54) **LIGHT EMITTING DIODE**

(75) Inventors: **Sun-Hong Kim**, Incheon (KR); **Min-Sik Kim**, Seoul (KR); **Ji-Na Lee**, Siheung-si (KR)

(73) Assignee: **Alti-Electronic Co., Ltd** (KR)

(**) Term: **14 Years**

(21) Appl. No.: **29/323,940**

(22) Filed: **Sep. 3, 2008**

(30) **Foreign Application Priority Data**

May 21, 2008 (KR) 30-2008-0021342

(51) **LOC (9) Cl.** **13-03**

(52) **U.S. Cl.** **D13/180**

(58) **Field of Classification Search** D13/180;
D26/2; 257/79, 80, 81, 88, 89, 95, 98, 99,
257/100; 313/483, 498, 500; 362/555, 800
See application file for complete search history.

(56) **References Cited**

U.S. PATENT DOCUMENTS

6,953,952 B2 * 10/2005 Asakawa 257/103
D518,449 S * 4/2006 Ishida D13/180
D529,452 S * 10/2006 Kim et al. D13/180
D529,877 S * 10/2006 Inoue D13/180

D549,187 S * 8/2007 Park et al. D13/180
D566,664 S * 4/2008 Kong D13/180
D571,317 S * 6/2008 Choi et al. D13/180
D585,849 S * 2/2009 Im D13/180
2006/0023451 A1 * 2/2006 Han et al. 362/249

* cited by examiner

Primary Examiner—Selina Sikder

(74) *Attorney, Agent, or Firm*—The Farrell Law Firm, LLP

(57) **CLAIM**

The ornamental design for a light emitting diode, as shown and described.

DESCRIPTION

FIG. 1 is a perspective view of a light emitting diode showing our new design;

FIG. 2 is a front elevational view thereof;

FIG. 3 is a rear elevational view thereof;

FIG. 4 is a left side elevational view thereof;

FIG. 5 is a right side elevational view thereof;

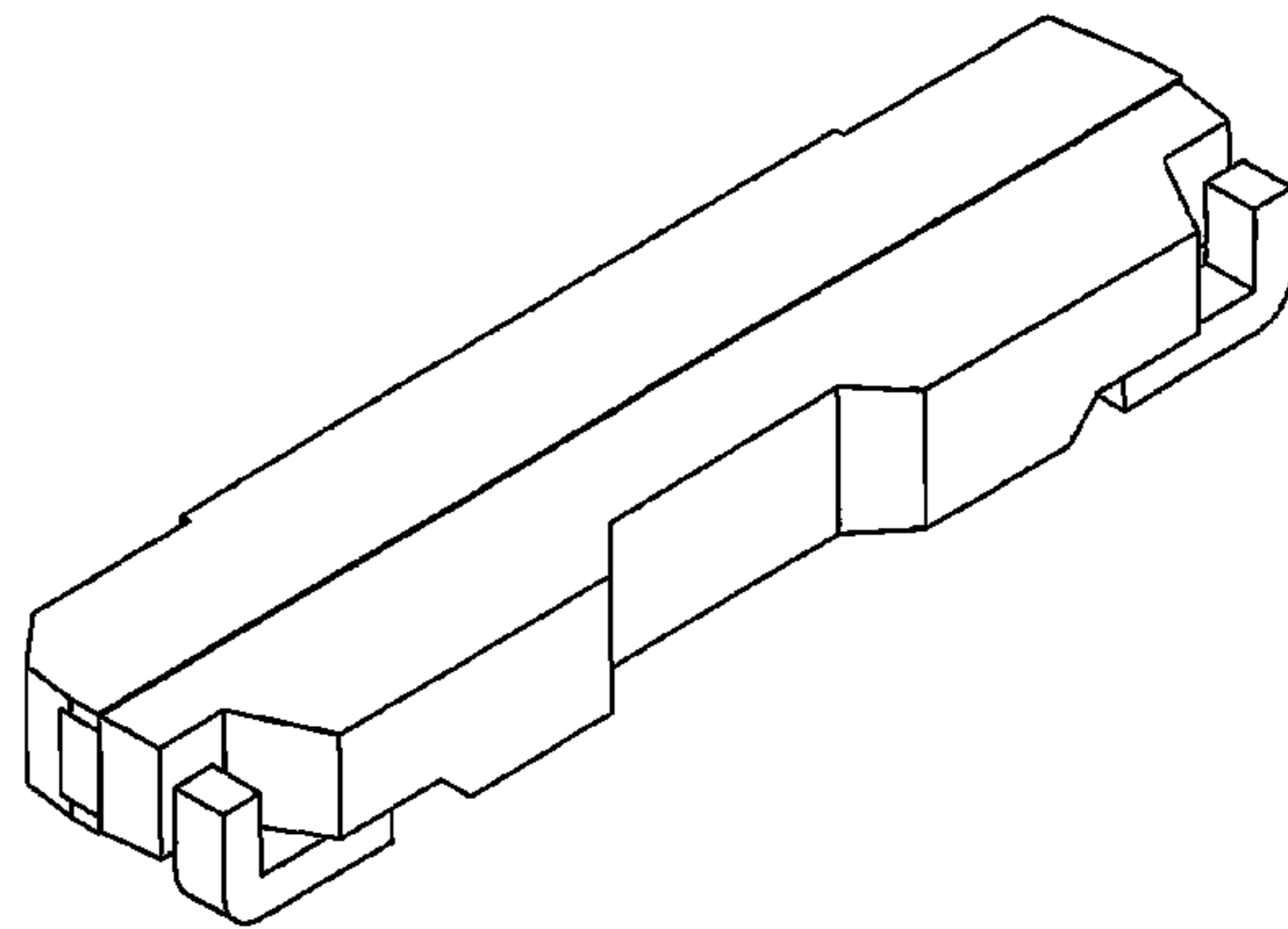
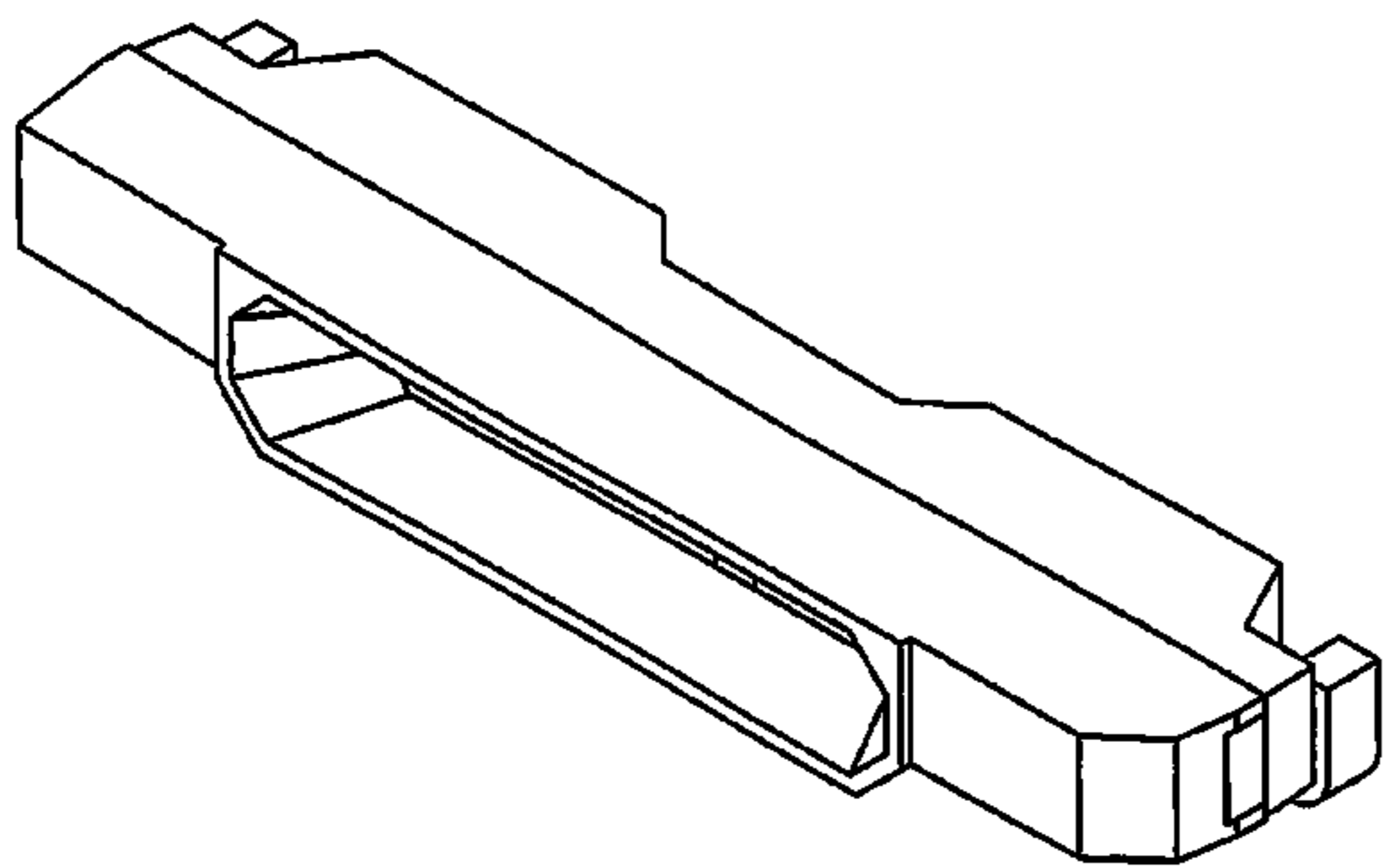
FIG. 6 is a top plan view thereof;

FIG. 7 is a bottom plan view thereof;

FIG. 8 is a rear top perspective view thereof; and,

FIG. 9 is a rear bottom perspective view thereof.

1 Claim, 9 Drawing Sheets



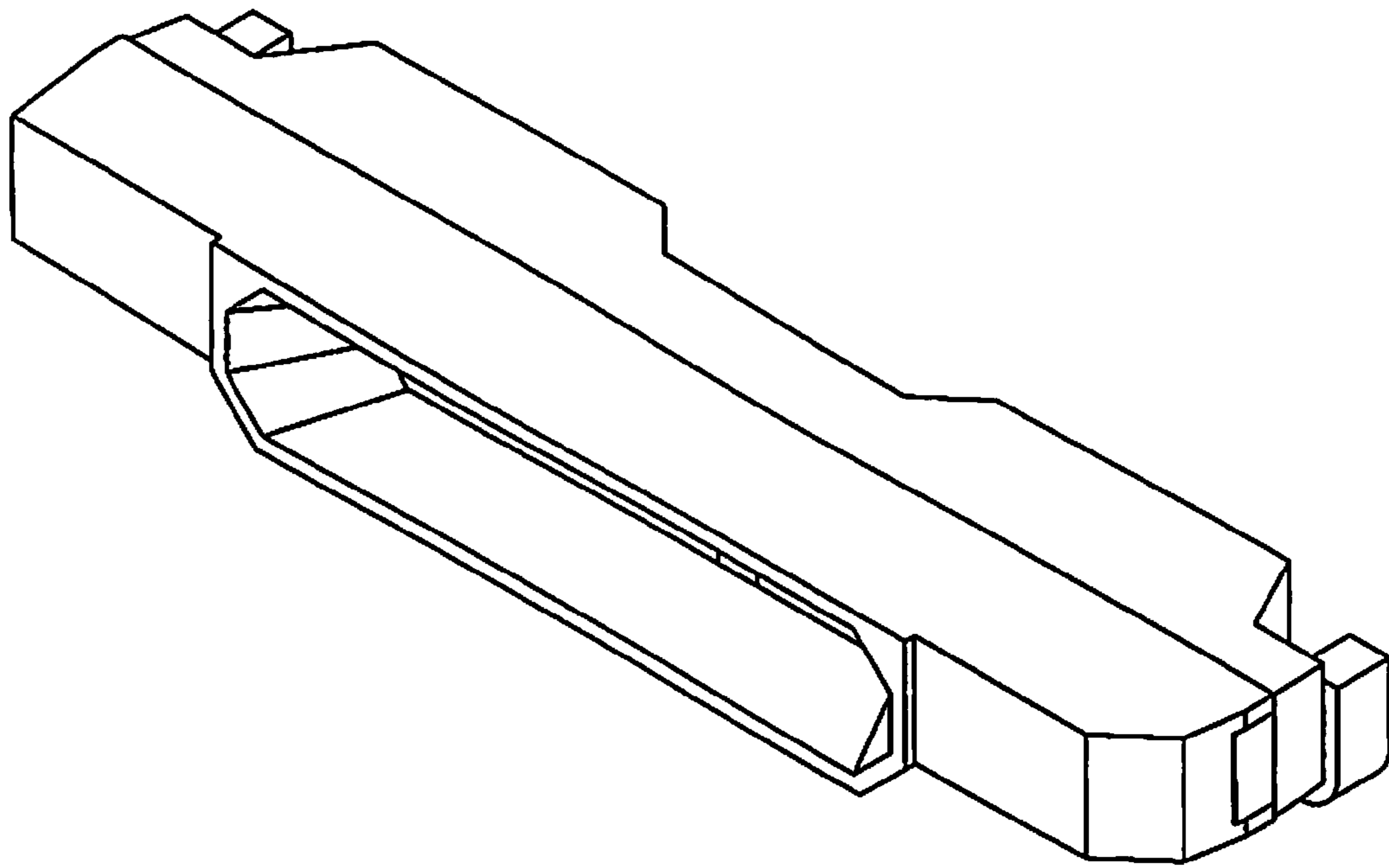


FIG. 1

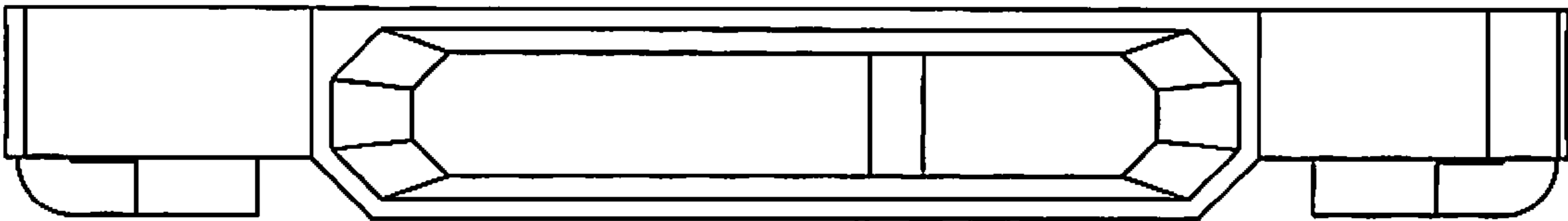


FIG. 2



FIG. 3

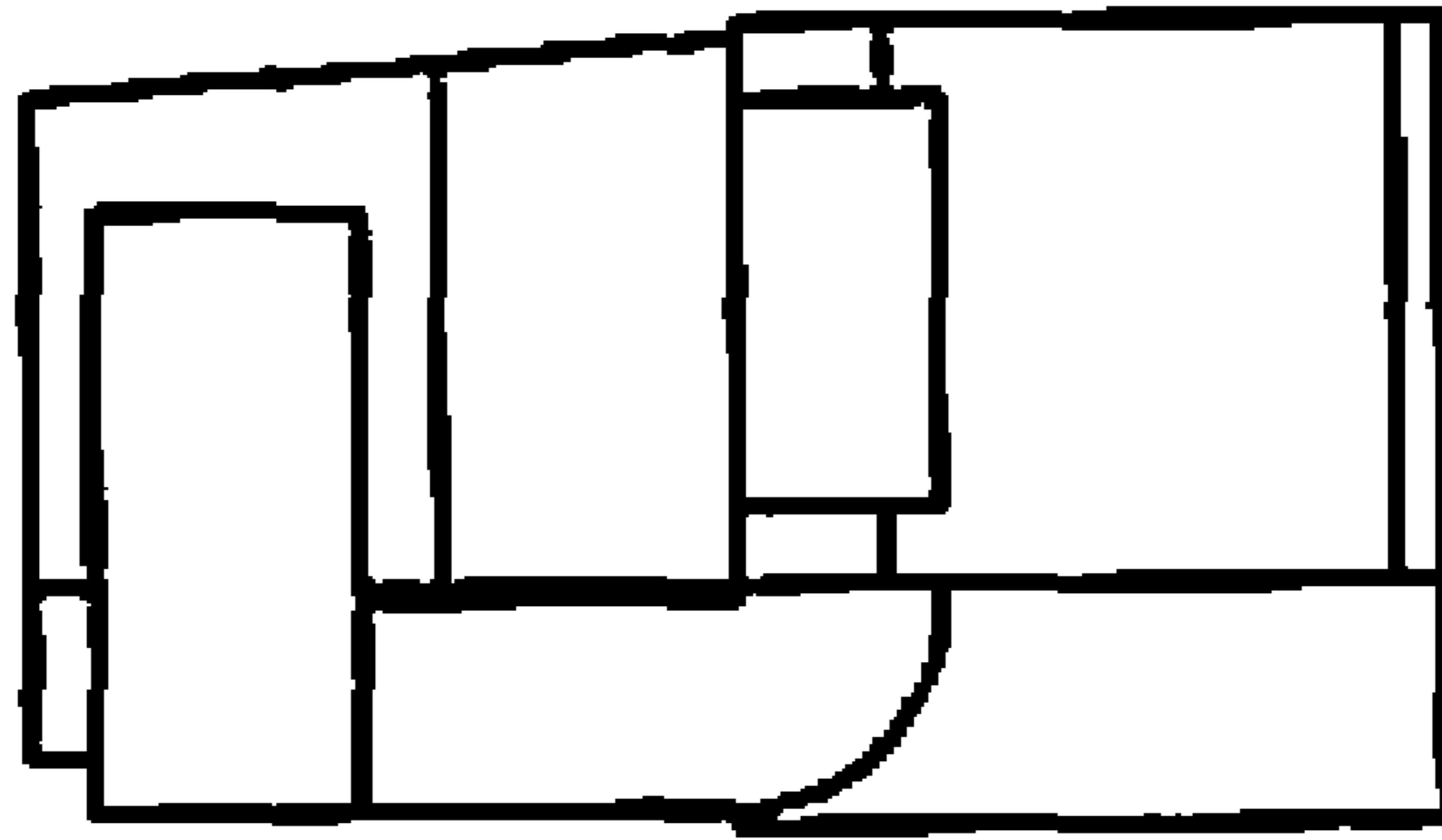


FIG. 4

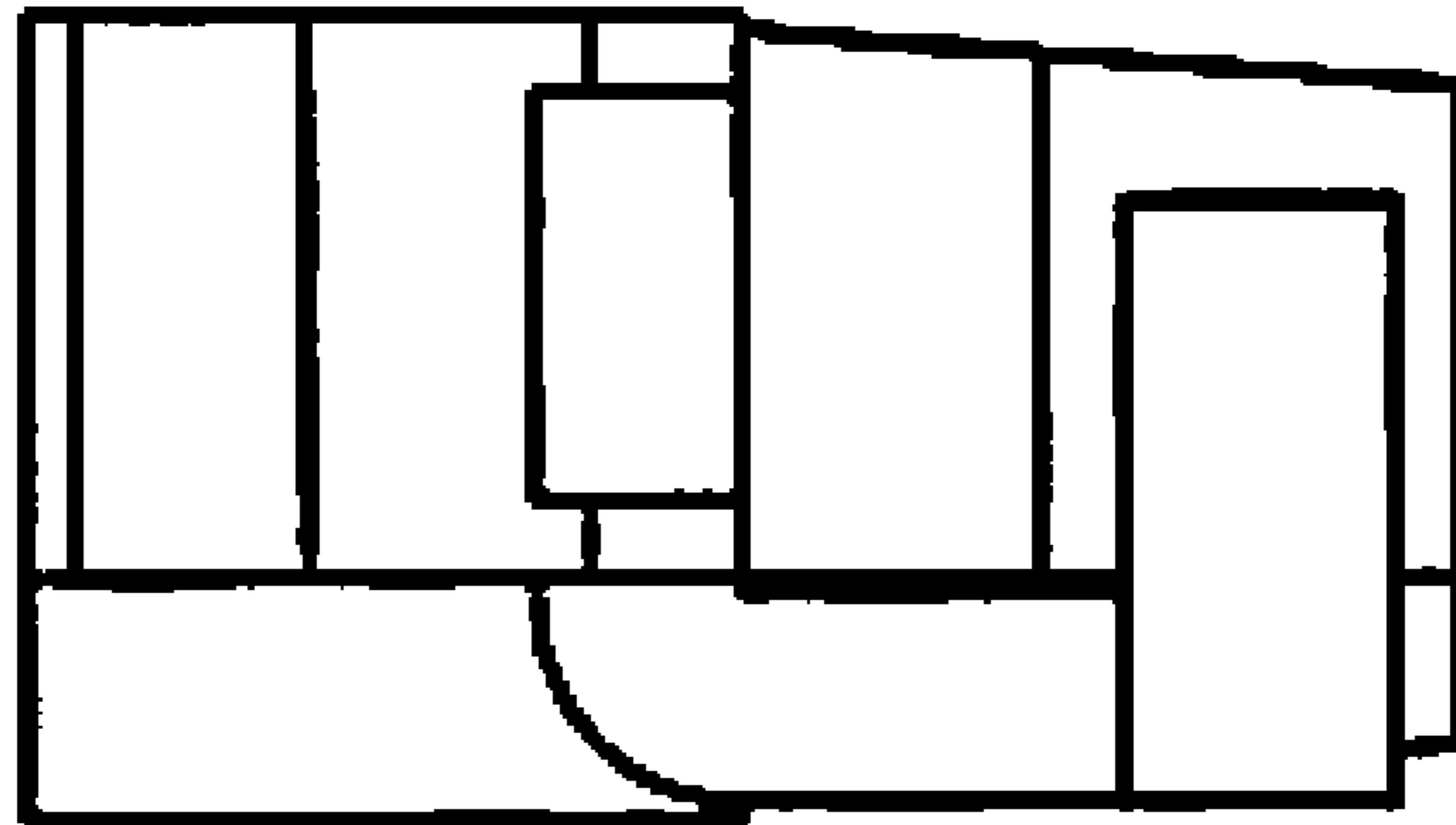


FIG. 5

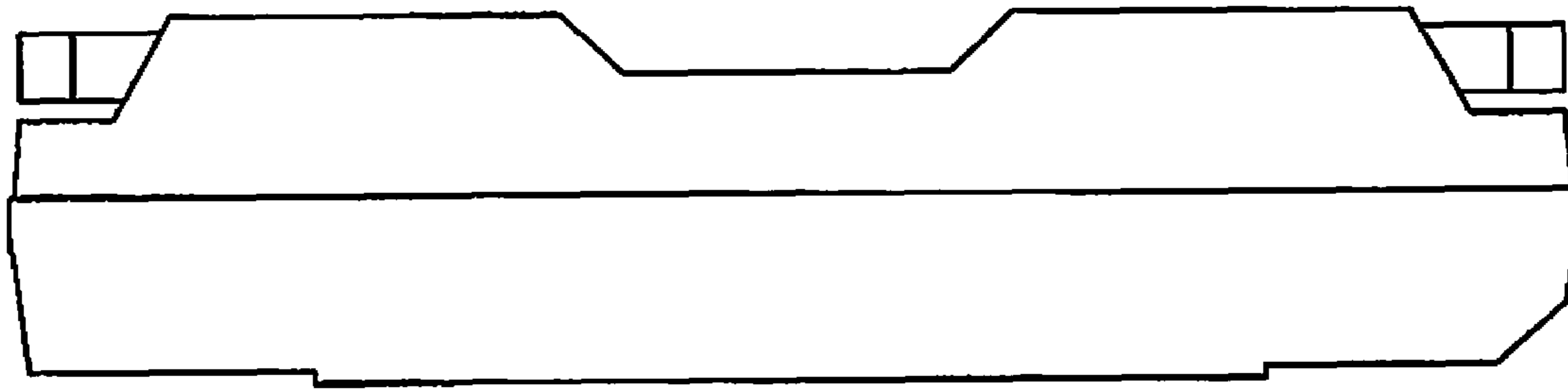


FIG. 6

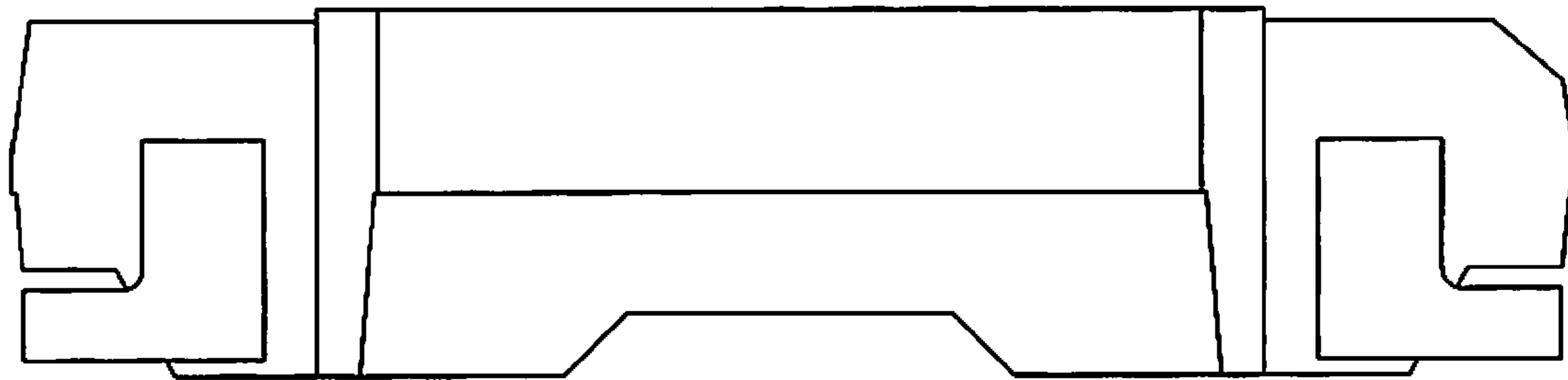


FIG. 7

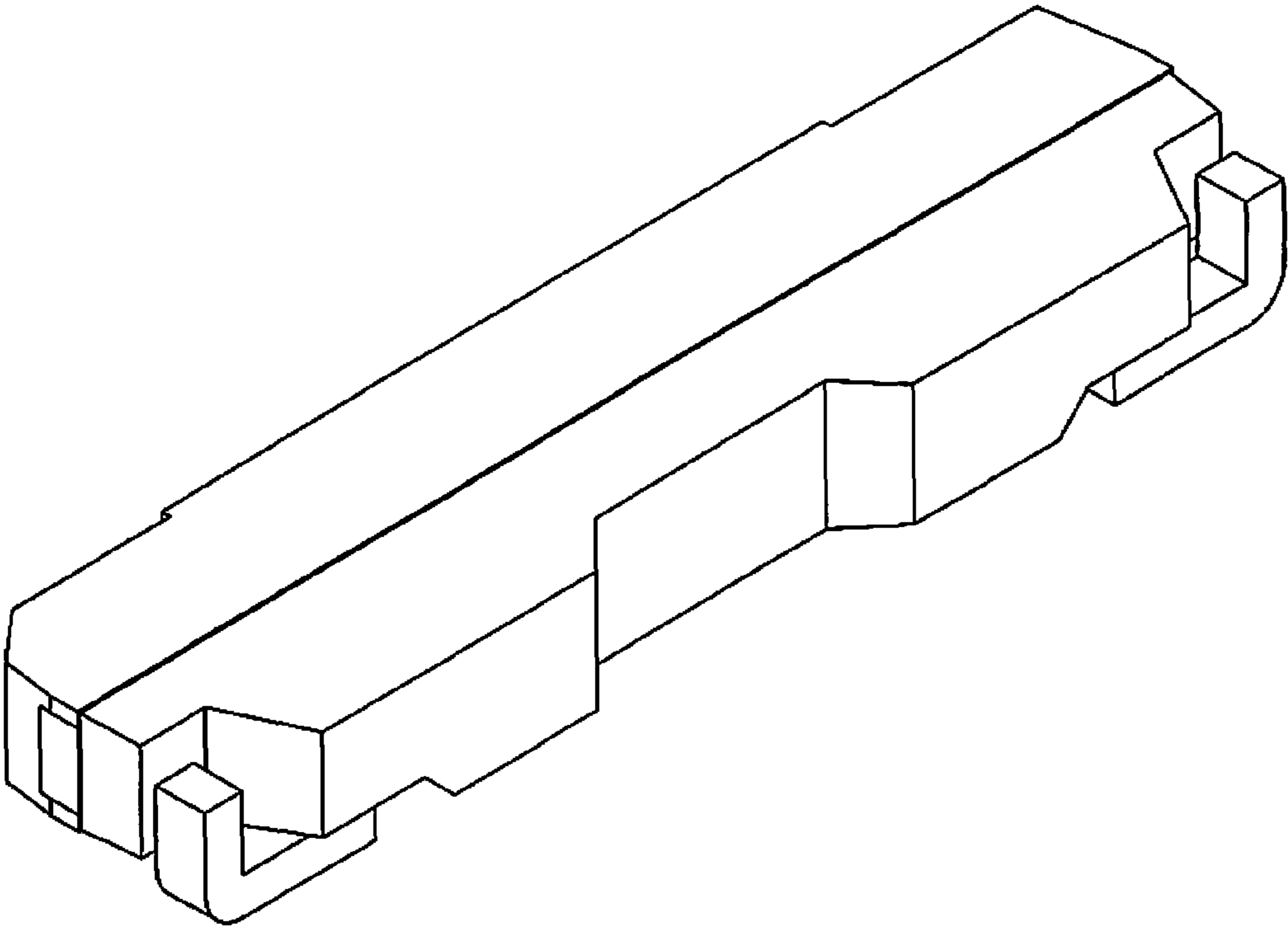


FIG. 8

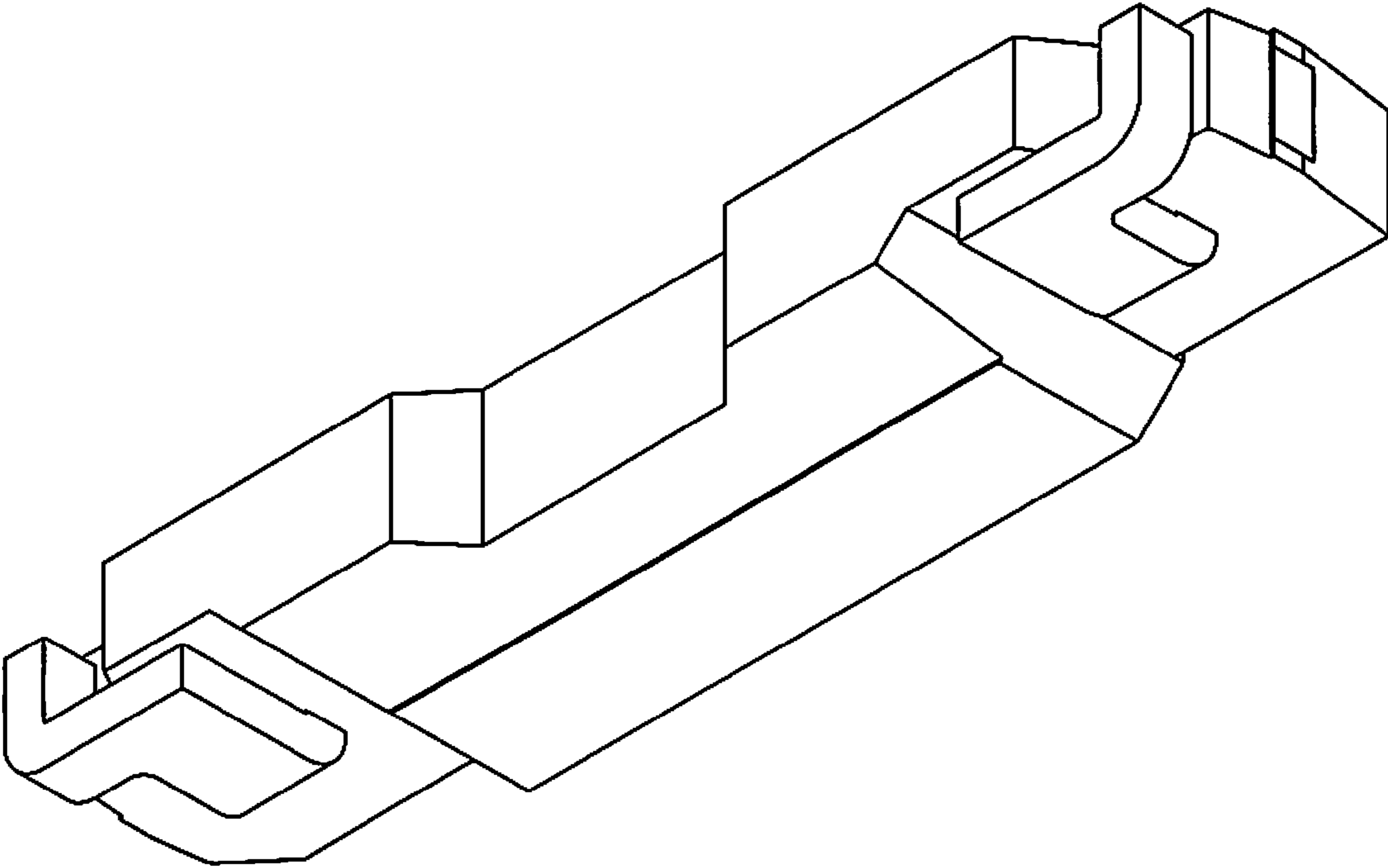


FIG. 9