



US00D599301S

(12) **United States Design Patent**
Azzola et al.

(10) **Patent No.:** **US D599,301 S**
(45) **Date of Patent:** **** Sep. 1, 2009**

(54) **CIRCUIT BREAKER AND COMPONENTS THEREFOR**

(75) Inventors: **Lucio Azzola**, Bergamo (IT); **Giovanni Frassinetti**, Bergamo (IT)

(73) Assignee: **ABB S.p.A.**, Milan (IT)

(**) Term: **14 Years**

(21) Appl. No.: **29/299,619**

(22) Filed: **Dec. 31, 2007**

Related U.S. Application Data

(62) Division of application No. 29/213,604, filed on Sep. 22, 2004, now Pat. No. Des. 562,777.

(30) **Foreign Application Priority Data**

Apr. 8, 2004 (EM) 000163977

(51) **LOC (9) Cl.** **13-03**

(52) **U.S. Cl.** **D13/160**

(58) **Field of Classification Search** D13/160;
200/43.14, 50.01, 50.21–50.23, 51 R, 293,
200/400; 361/42, 44, 45, 50, 71, 115, 608,
361/634

See application file for complete search history.

(56) **References Cited**

U.S. PATENT DOCUMENTS

4,728,757	A *	3/1988	Buxton et al.	200/50.21
D378,914	S *	4/1997	Smith et al.	D13/160
D402,267	S *	12/1998	M'Sadoques	D13/160
6,177,641	B1 *	1/2001	Morel et al.	200/50.26
6,184,483	B1 *	2/2001	Coudert et al.	200/50.21
6,388,867	B1 *	5/2002	Rakus et al.	361/605
6,445,559	B1 *	9/2002	Phillips et al.	361/115
6,489,577	B2 *	12/2002	Kurata	200/331
7,064,283	B2 *	6/2006	Deylitz et al.	200/50.21
7,141,747	B2 *	11/2006	Dahl et al.	200/50.21
2004/0045796	A1 *	3/2004	Azzola et al.	200/50.01
2005/0167256	A1 *	8/2005	Ford et al.	200/400
2006/0118397	A1 *	6/2006	Dahl et al.	200/50.01

* cited by examiner

Primary Examiner—Selina Sikder

(74) *Attorney, Agent, or Firm*—Connolly Bove Lodge & Hutz LLP

(57) **CLAIM**

The ornamental design for “circuit breakers and components therefor,” as shown and described.

DESCRIPTION

FIG. 1 is a perspective view of a first embodiment of a circuit breaker and components therefor showing our new design;

FIG. 2 is a front view thereof;

FIG. 3 is a top view thereof;

FIG. 4 is a bottom view thereof;

FIG. 5 is a left view thereof;

FIG. 6 is a right view thereof;

FIG. 7 is a perspective view of a second embodiment of a circuit breaker and components therefor;

FIG. 8 is a front view thereof;

FIG. 9 is a top view thereof;

FIG. 10 is a bottom view thereof;

FIG. 11 is a left view thereof;

FIG. 12 is a right view thereof;

FIG. 13 is a perspective view of a third embodiment of a circuit breaker and components therefor;

FIG. 14 is a front view thereof;

FIG. 15 is a top view thereof;

FIG. 16 is a bottom view thereof;

FIG. 17 is a left view thereof;

FIG. 18 is a right view thereof;

FIG. 19 is a perspective view of a fourth embodiment of a circuit breaker and components therefor;

FIG. 20 is a front view thereof;

FIG. 21 is a top view thereof;

FIG. 22 is a bottom view thereof;

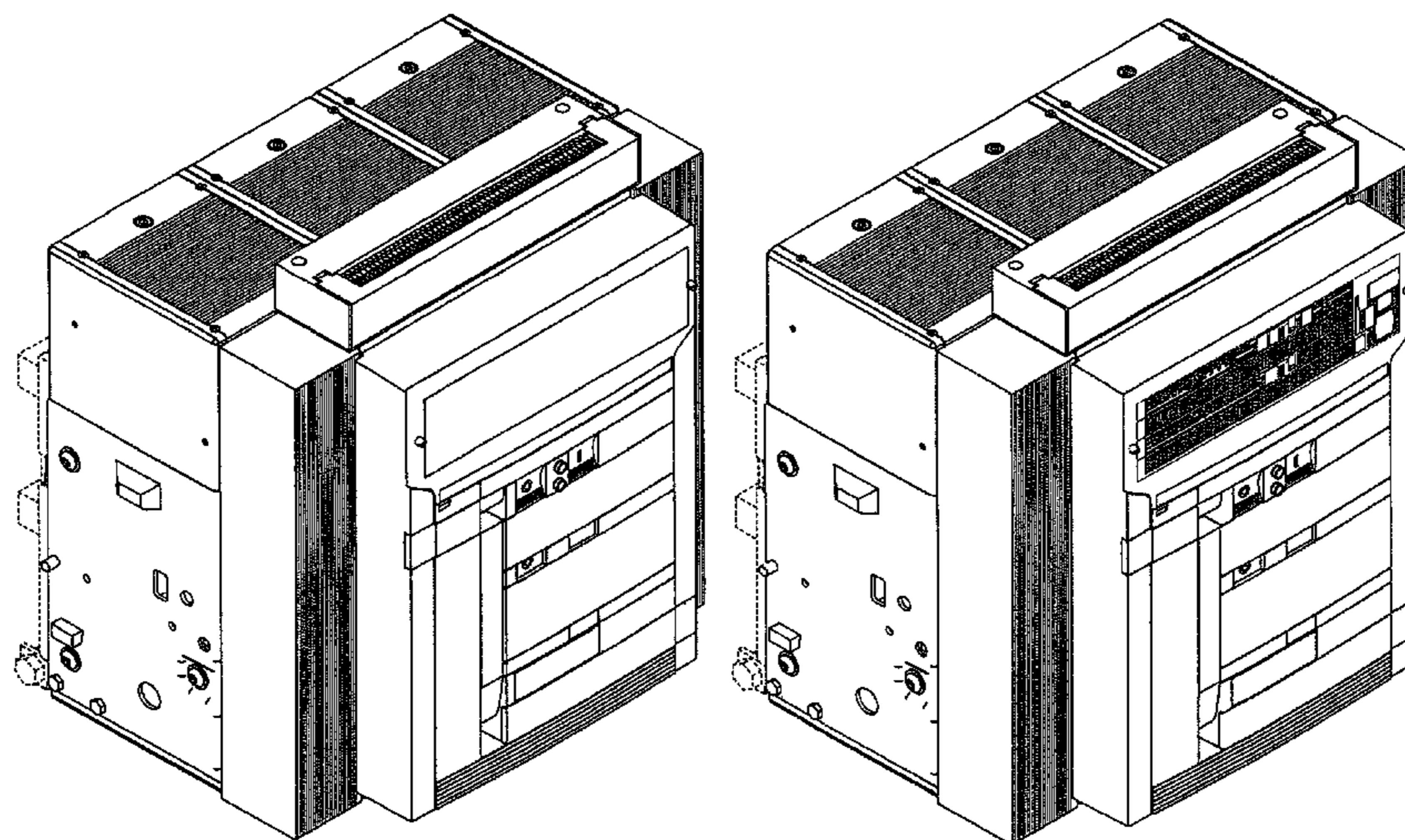


FIG. 23 is a left view thereof;
FIG. 24 is a right view thereof;
FIG. 25 is a perspective view of a fifth embodiment of a circuit breaker and components therefor;
FIG. 26 is a front view thereof;
FIG. 27 is a top view thereof;
FIG. 28 is a bottom view thereof;
FIG. 29 is a left view thereof;
FIG. 30 is a right view thereof;
FIG. 31 is a perspective view of a sixth embodiment of a circuit breaker and components therefor;

FIG. 32 is a front view thereof;
FIG. 33 is a top view thereof;
FIG. 34 is a bottom view thereof;
FIG. 35 is a left view thereof; and,
FIG. 36 is a right view thereof.

The features and portions of the circuit breaker and components therefor shown in broken lines form no part of the claimed design.

1 Claim, 36 Drawing Sheets

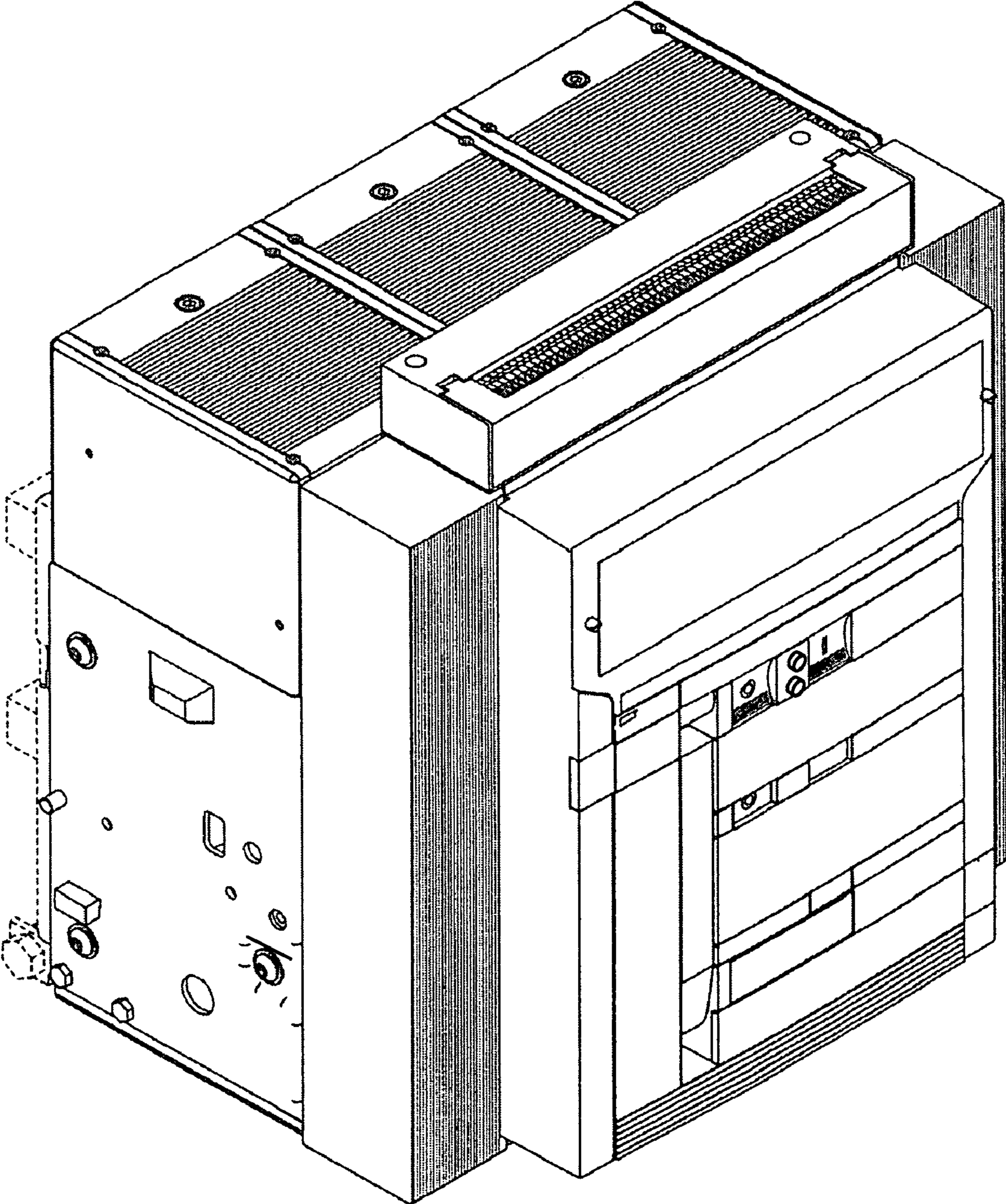


Fig. 1

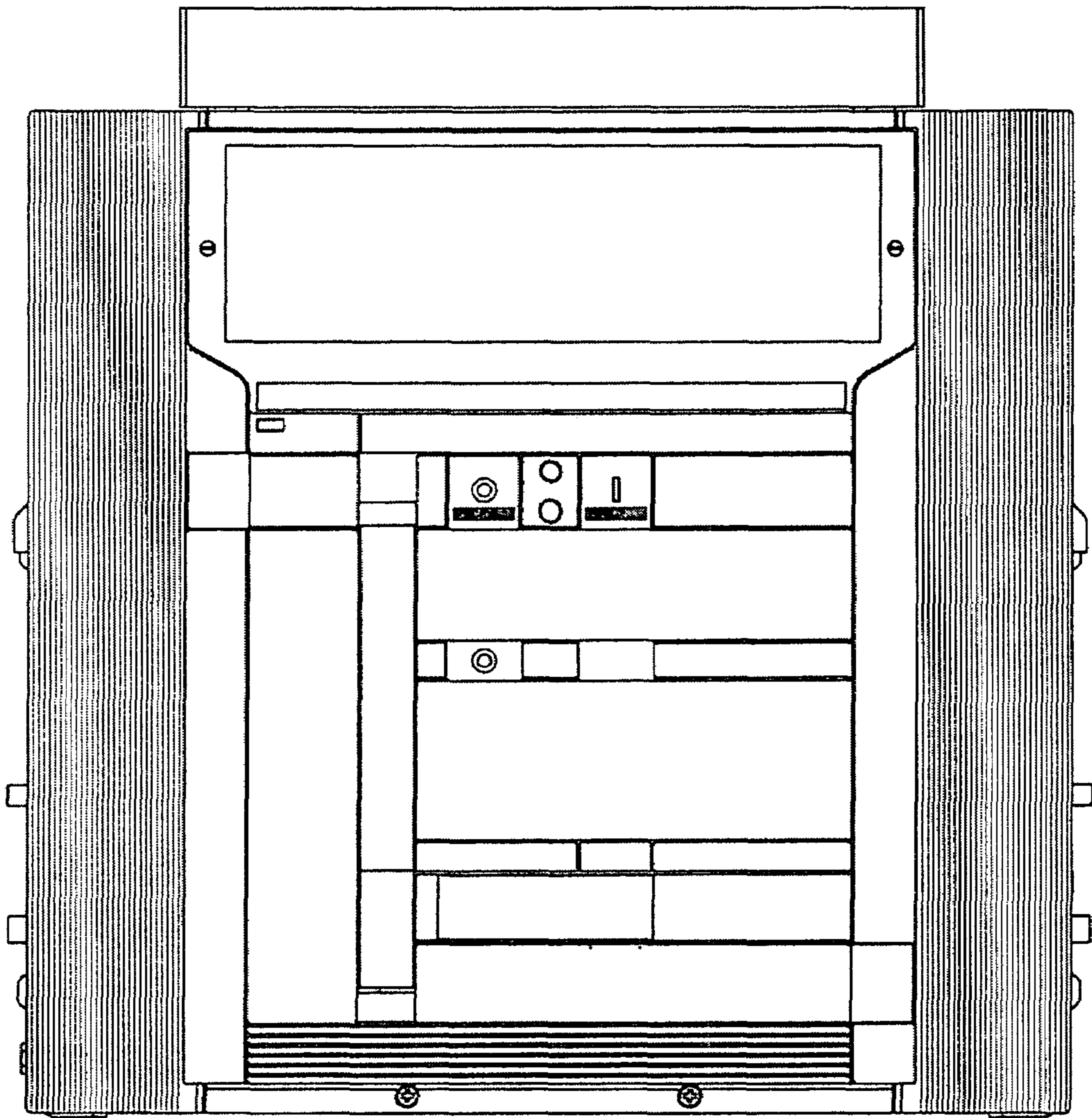


Fig.2

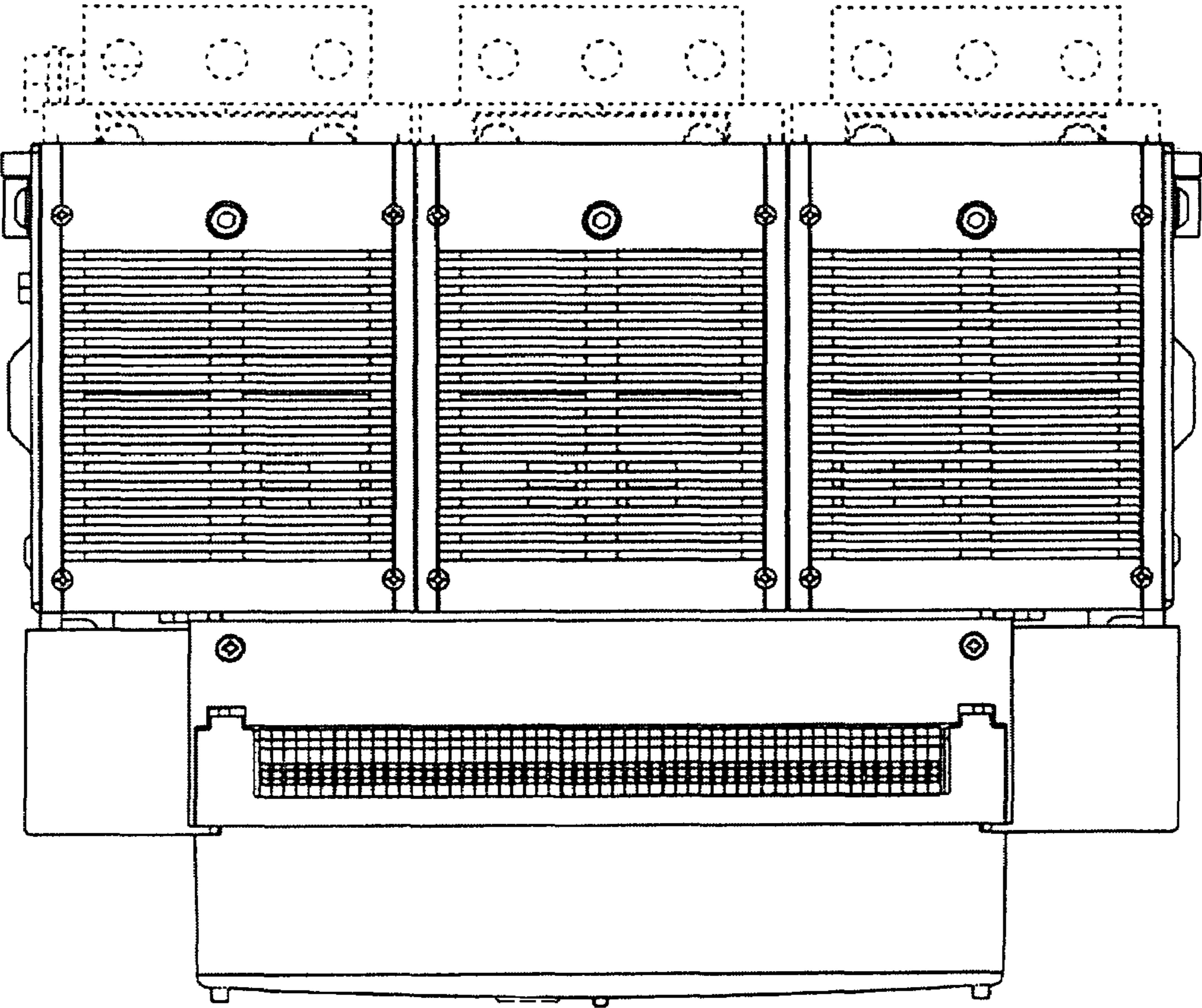


Fig. 3

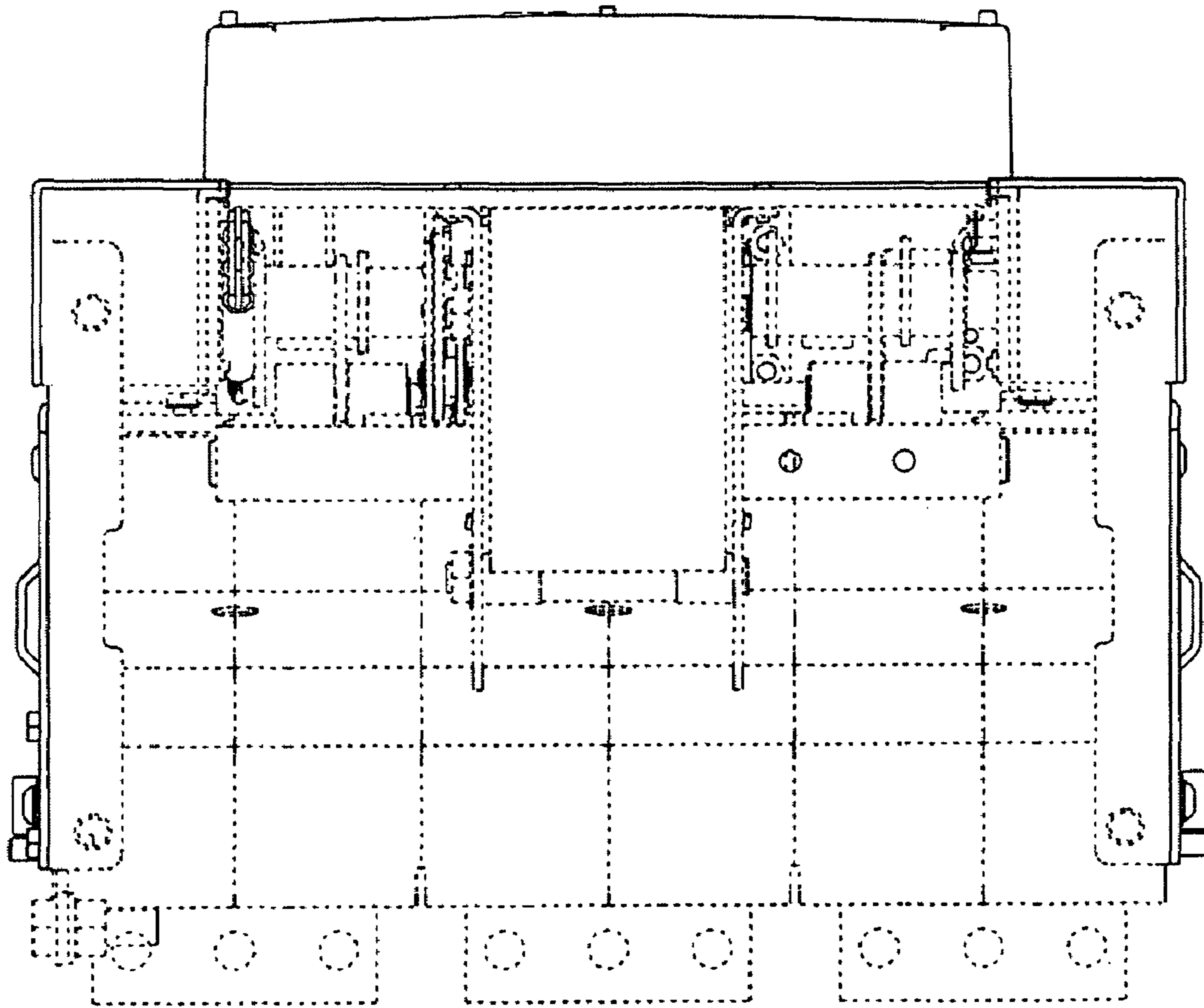


Fig. 4

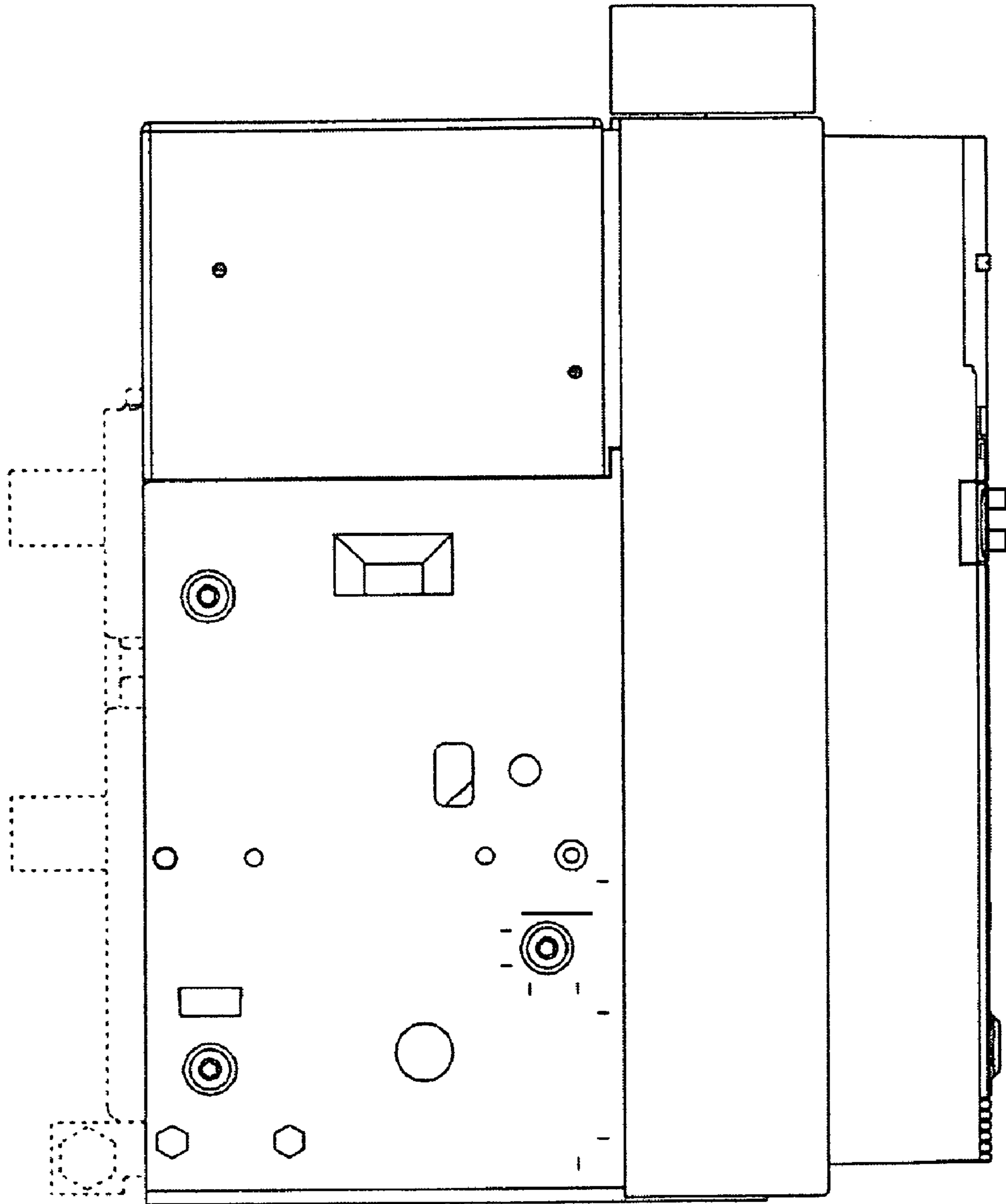


Fig. 5

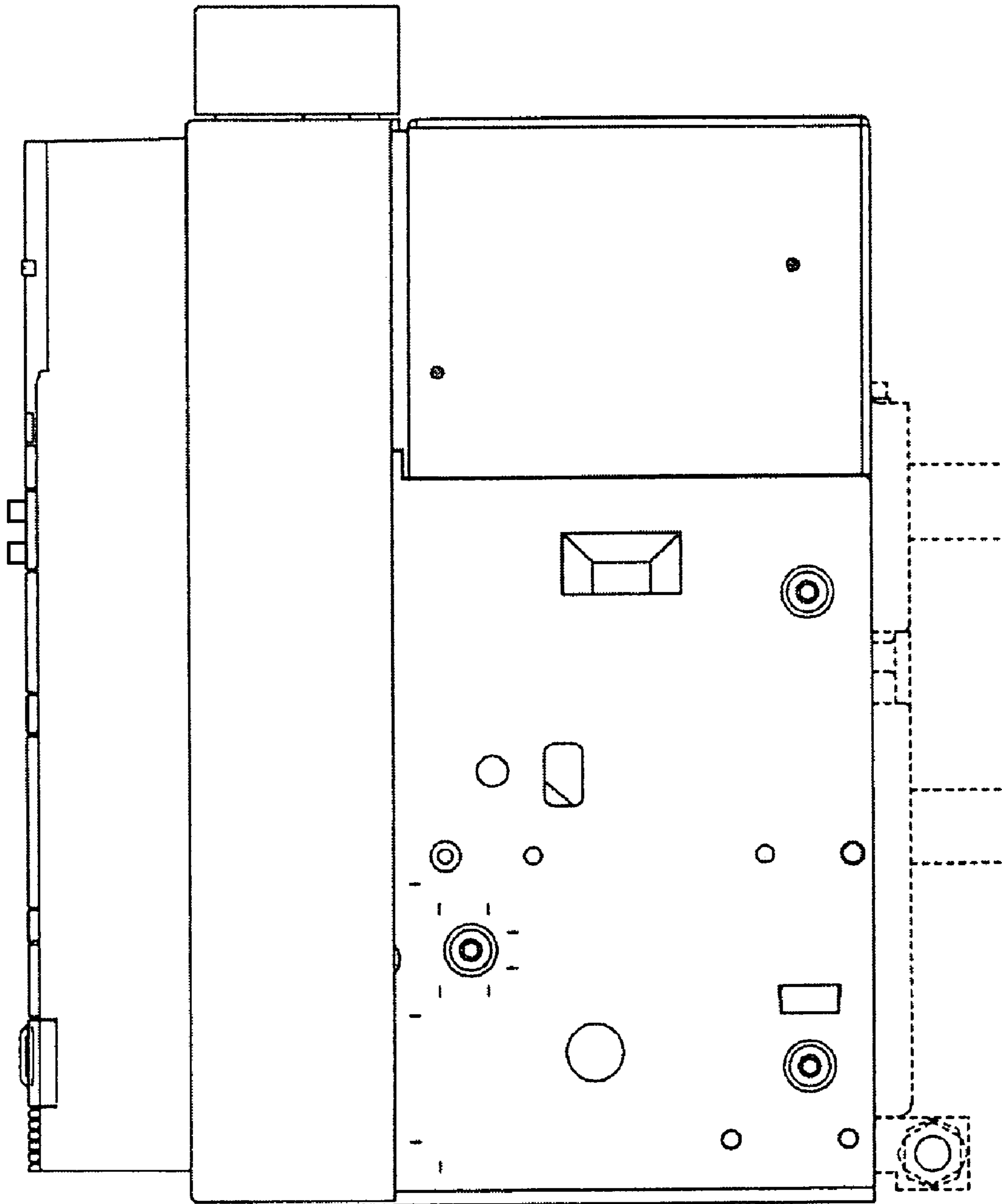


Fig. 6

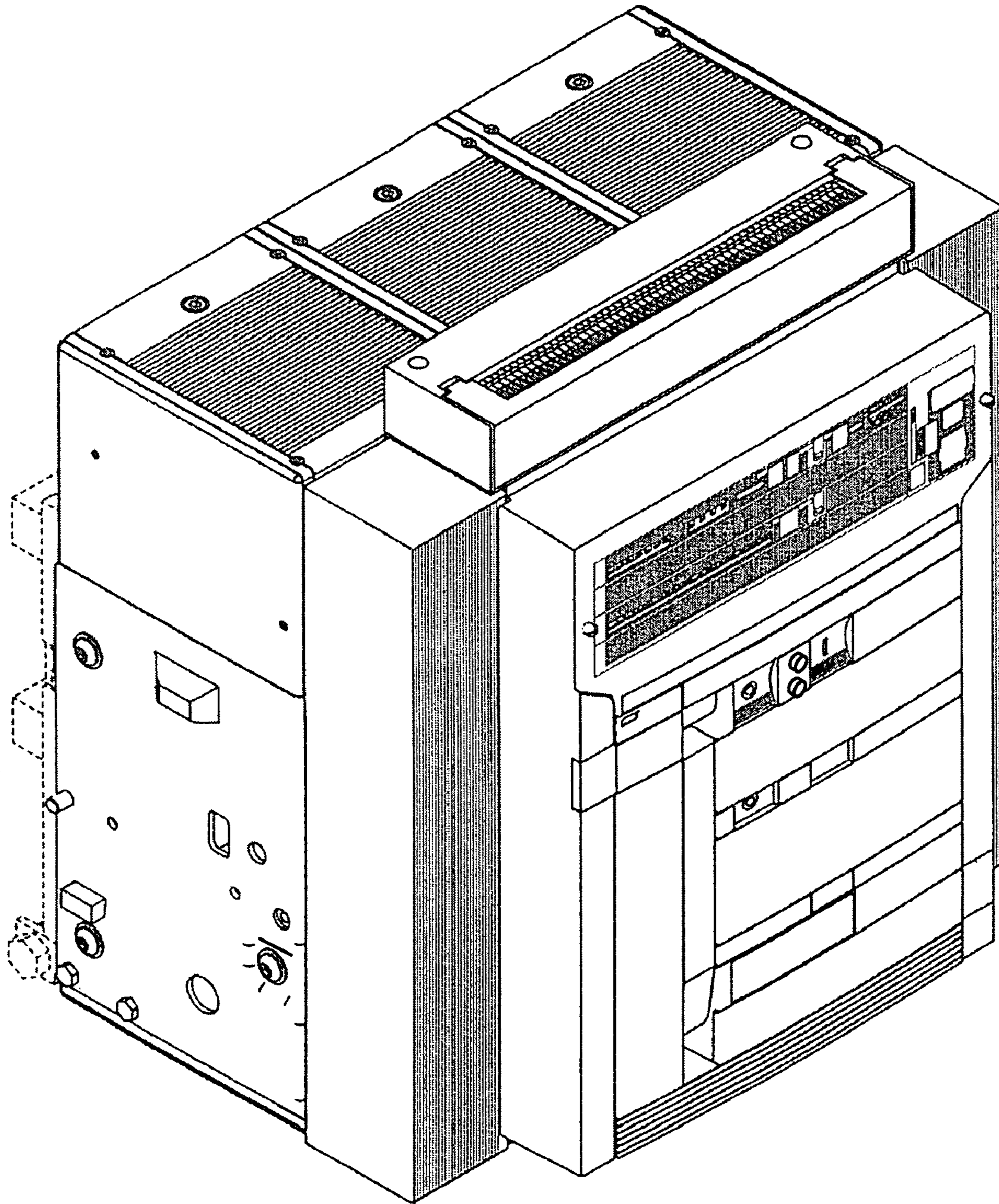


Fig. 7

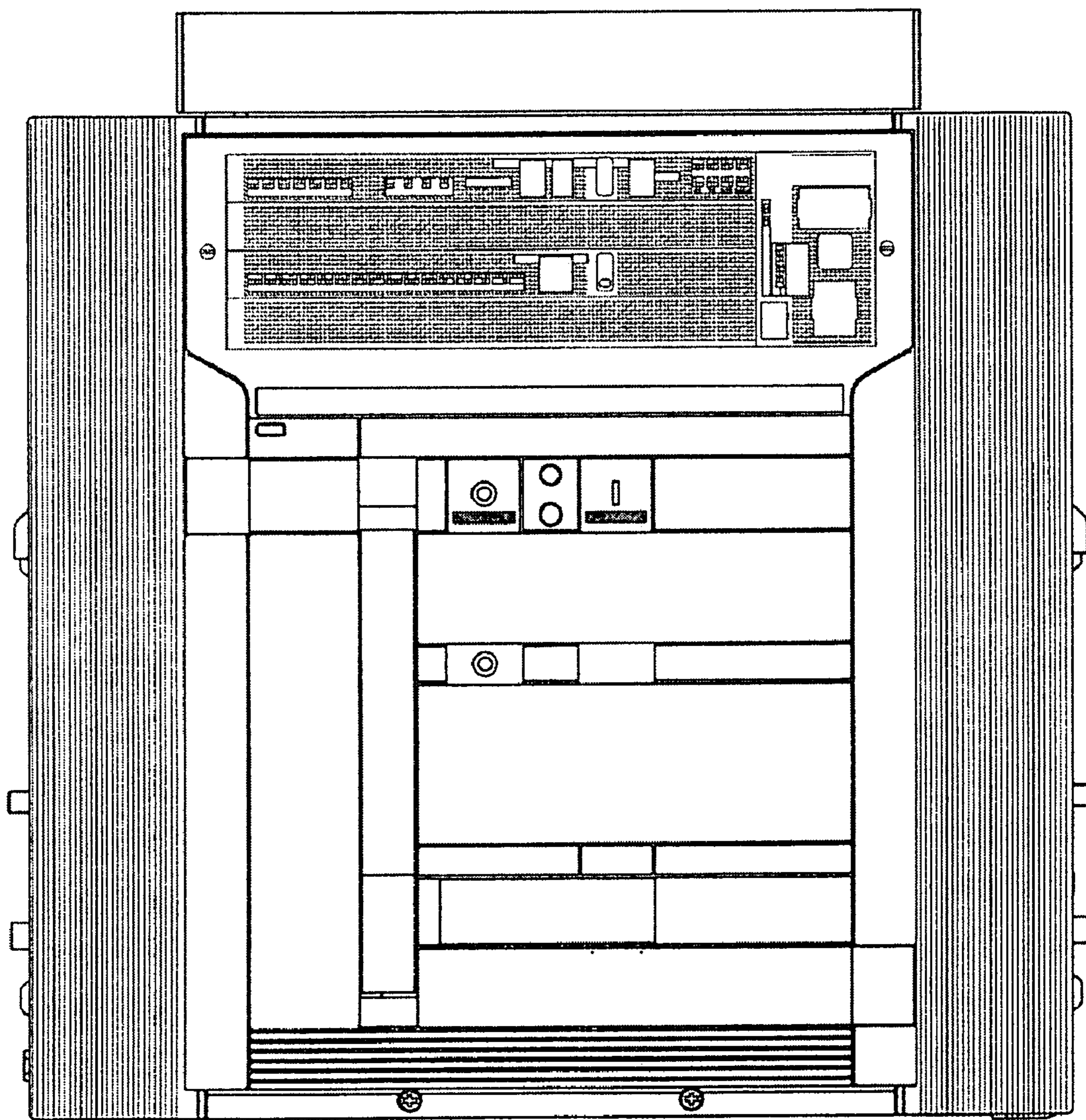


Fig.8

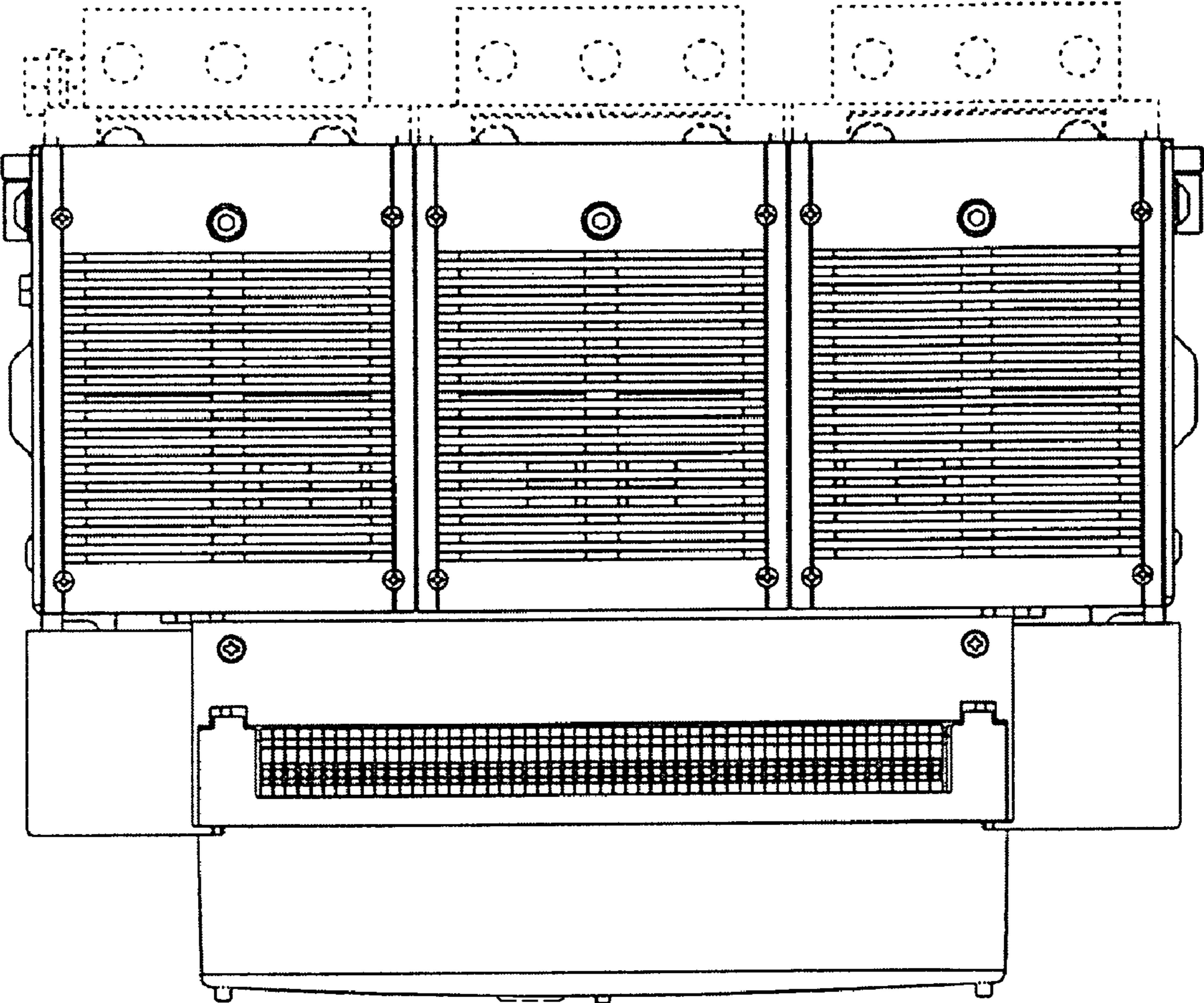


Fig. 9

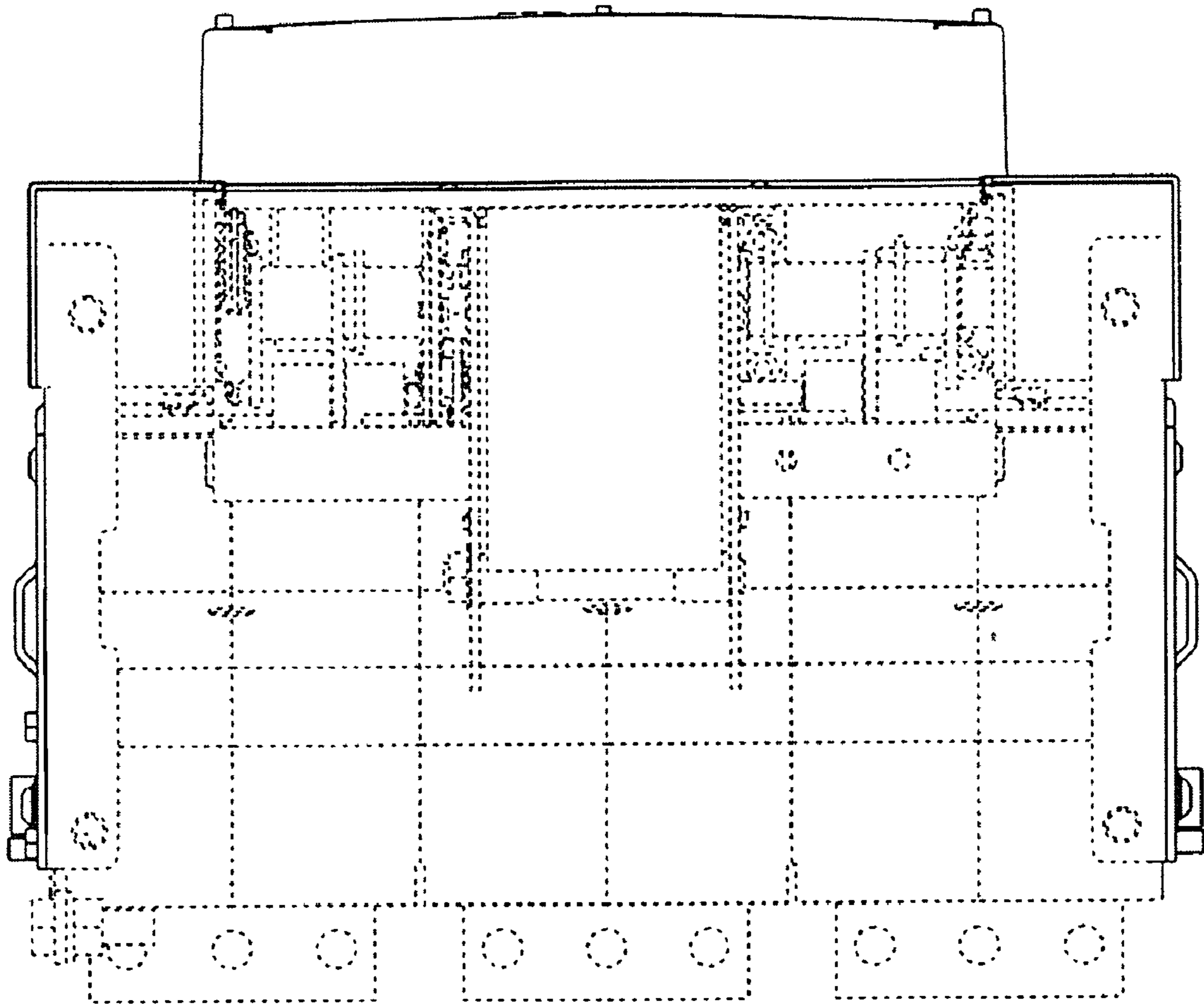


Fig. 10

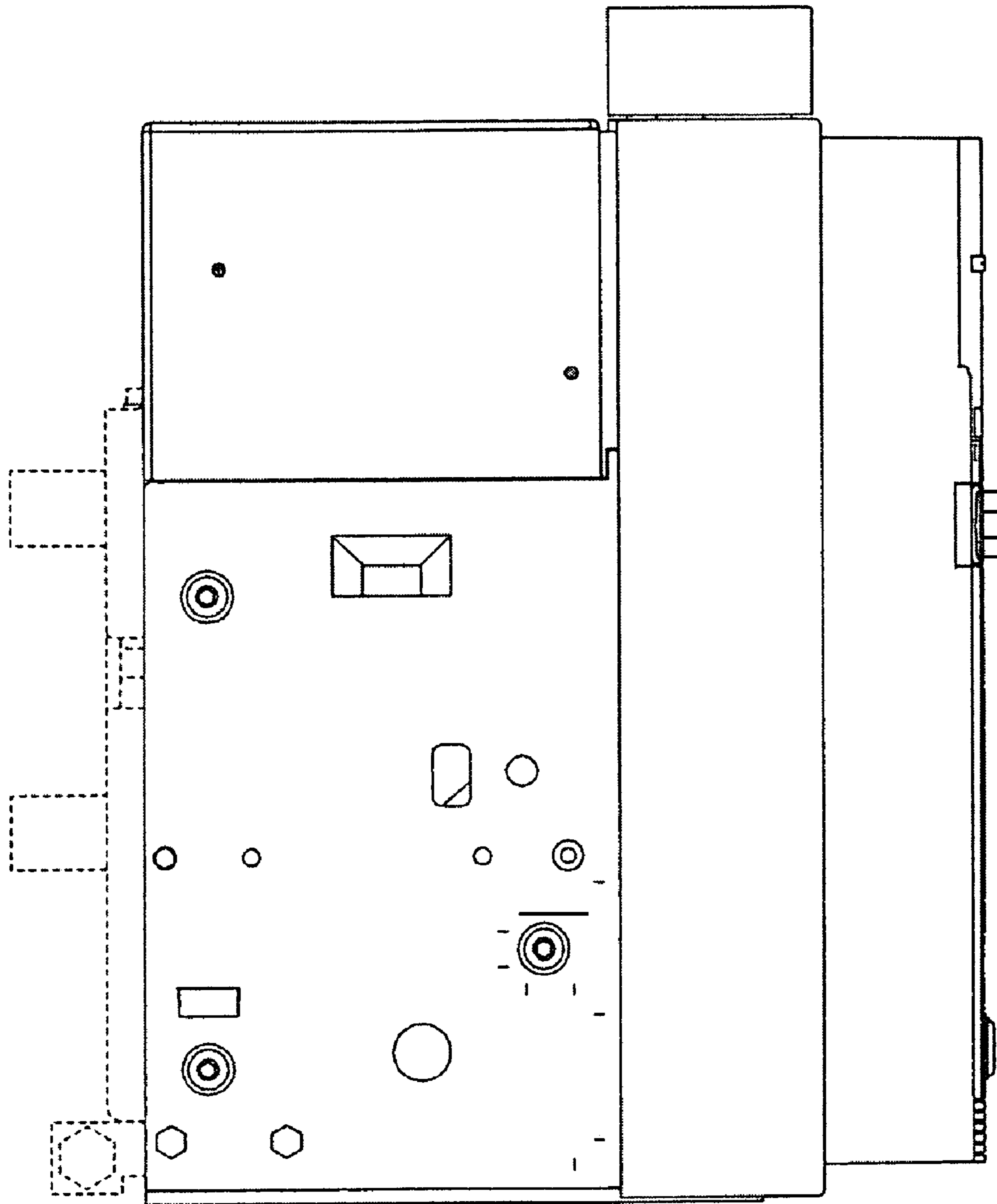


Fig. 11

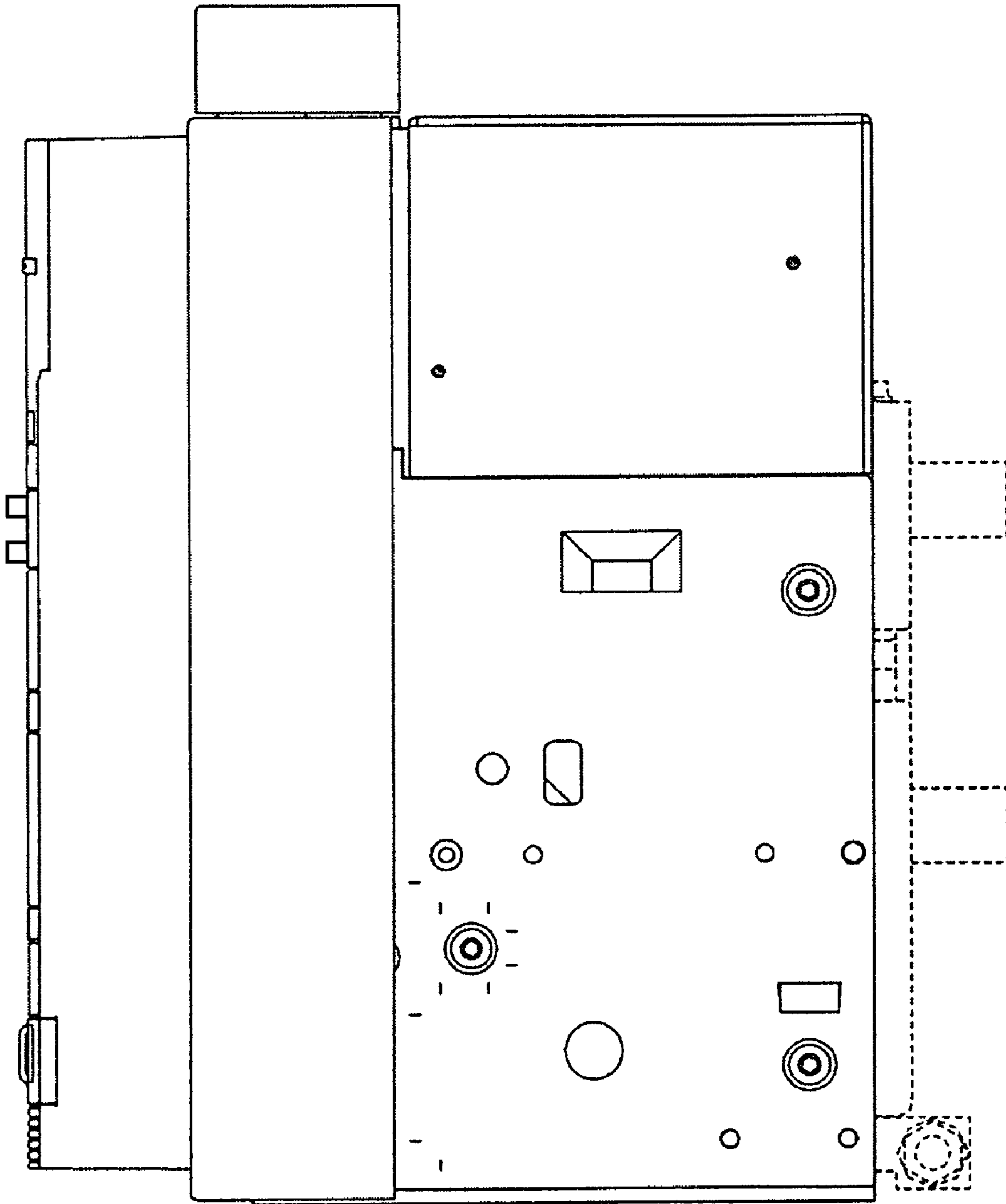


Fig. 12

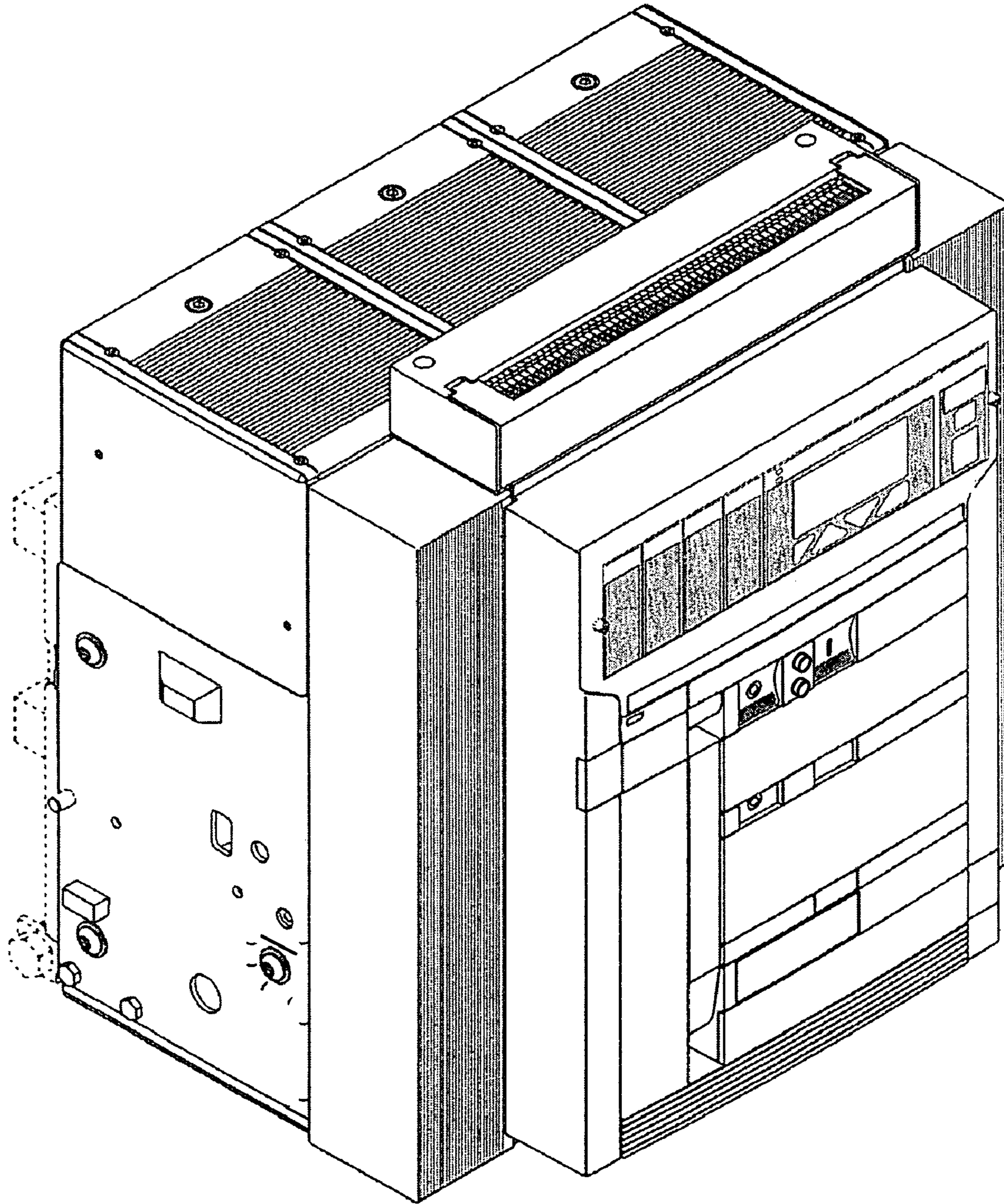


Fig. 13

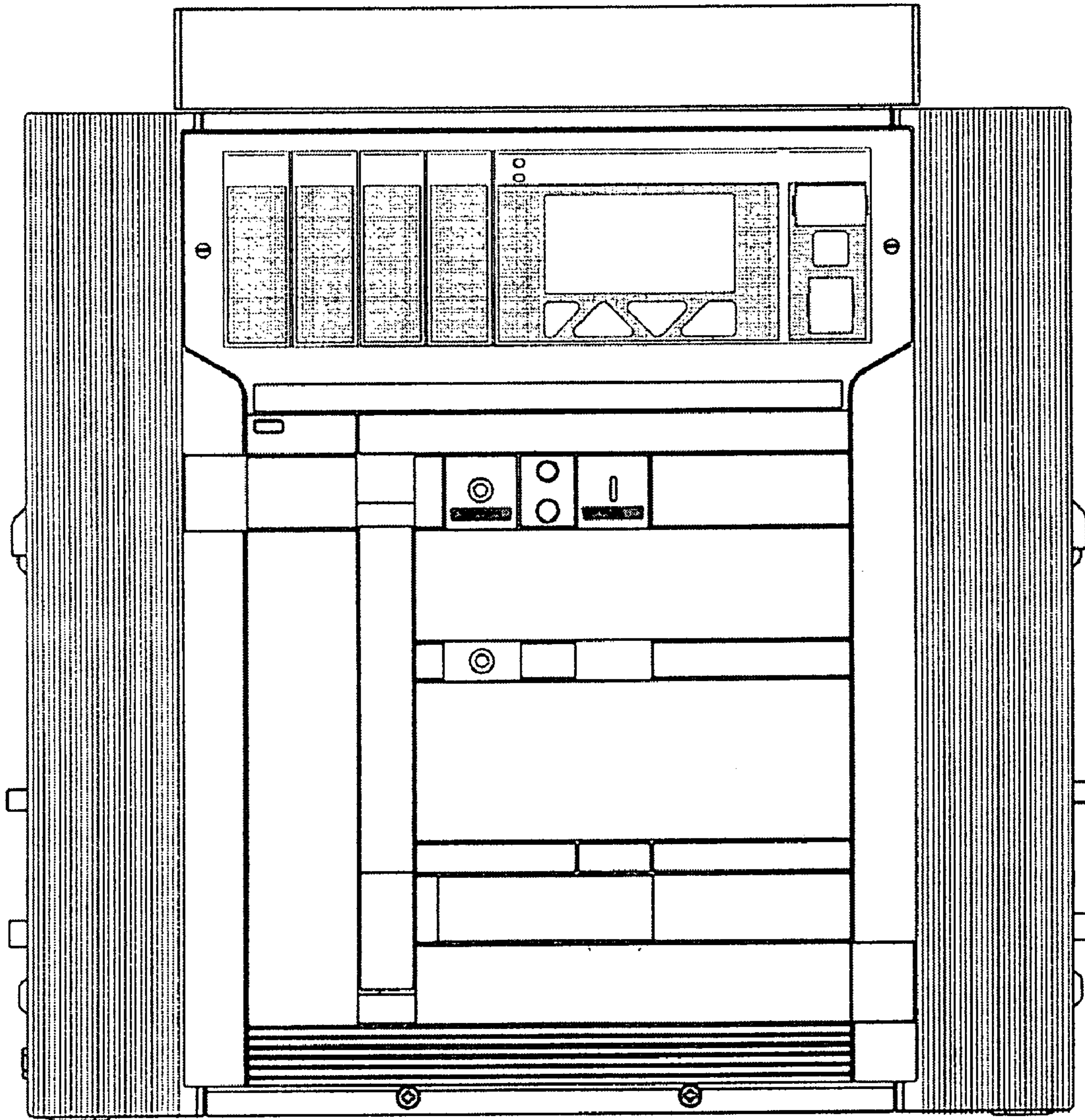


Fig.14

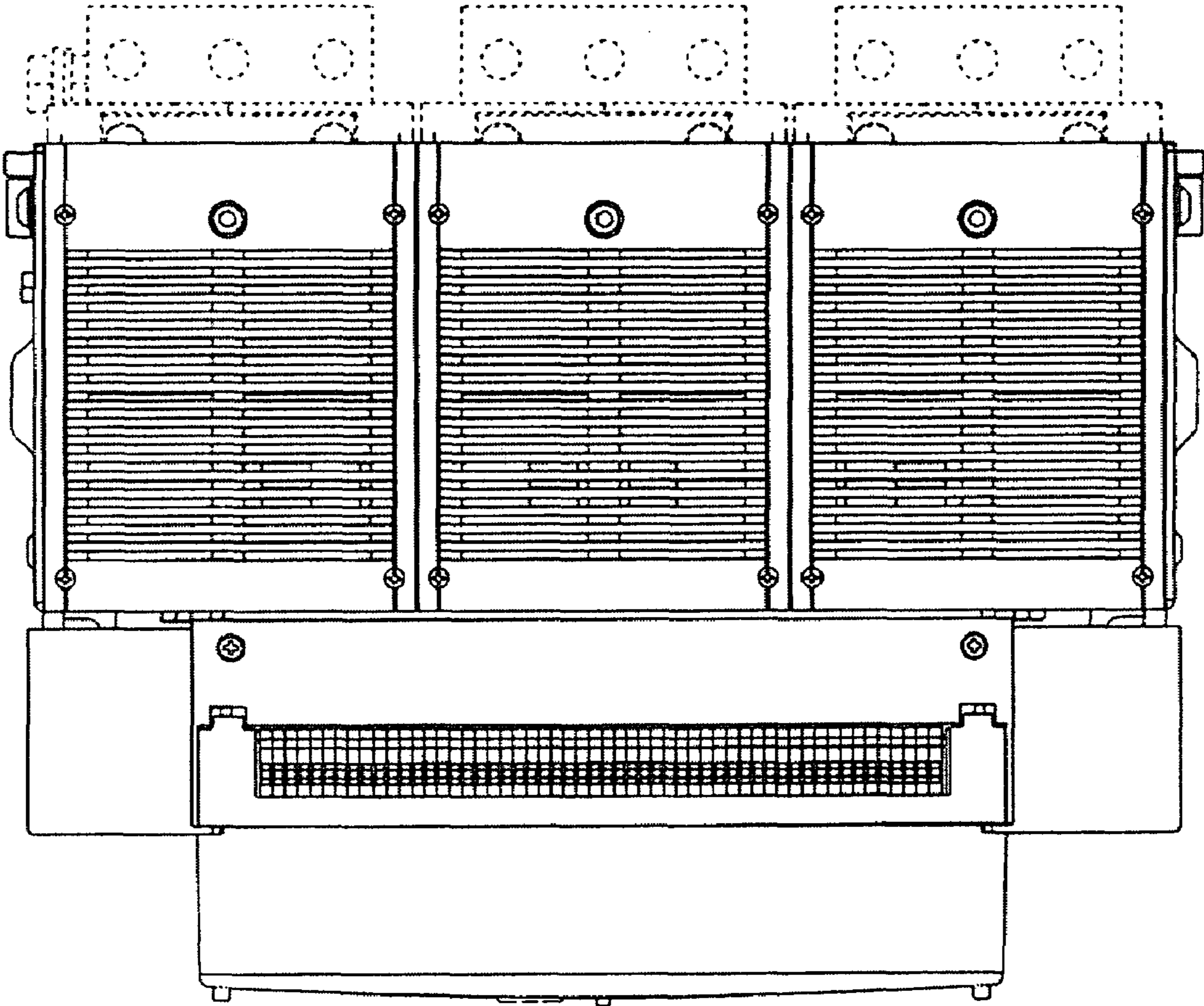


Fig. 15

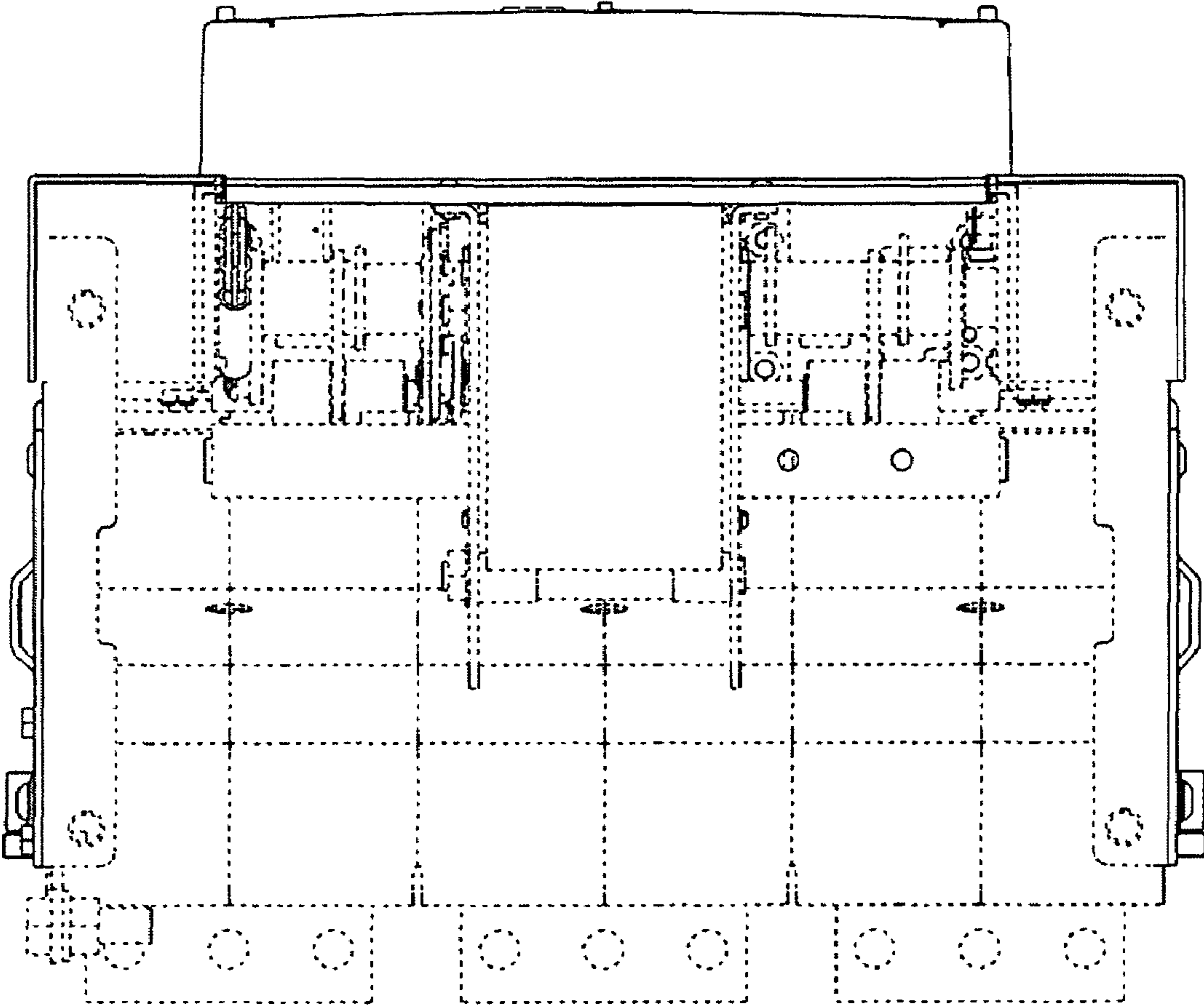


Fig. 16

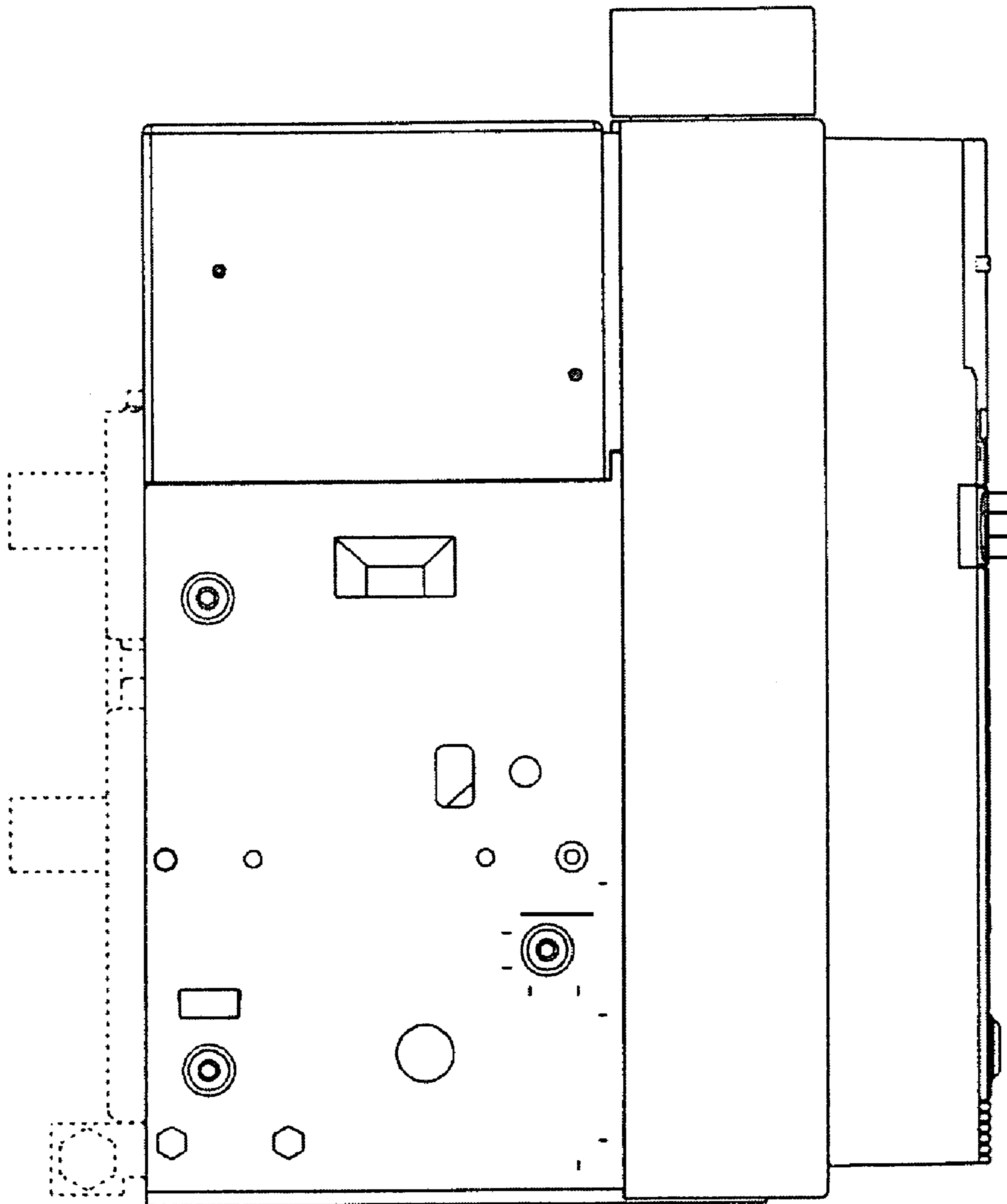


Fig. 17

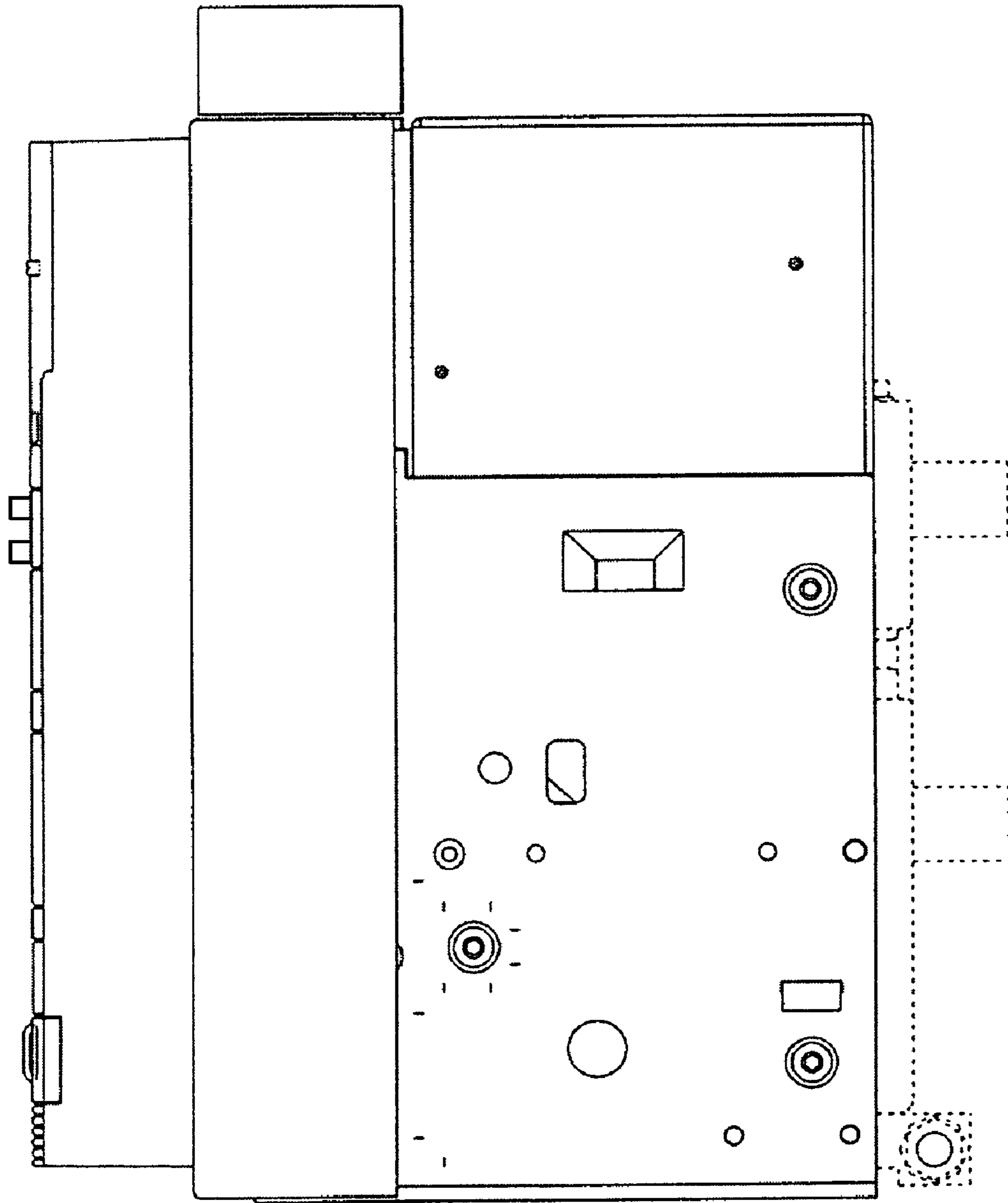


Fig. 18

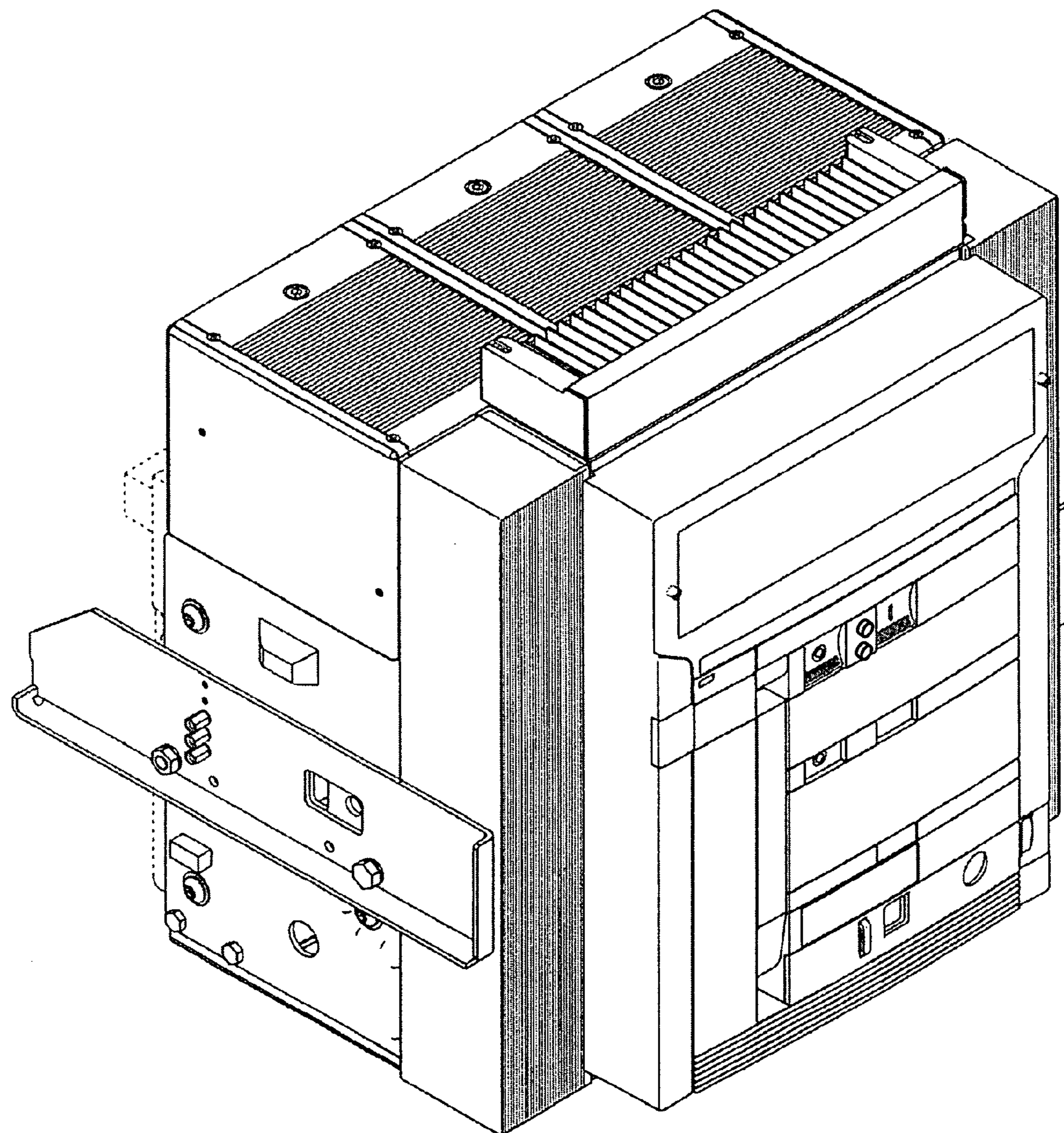


Fig. 19

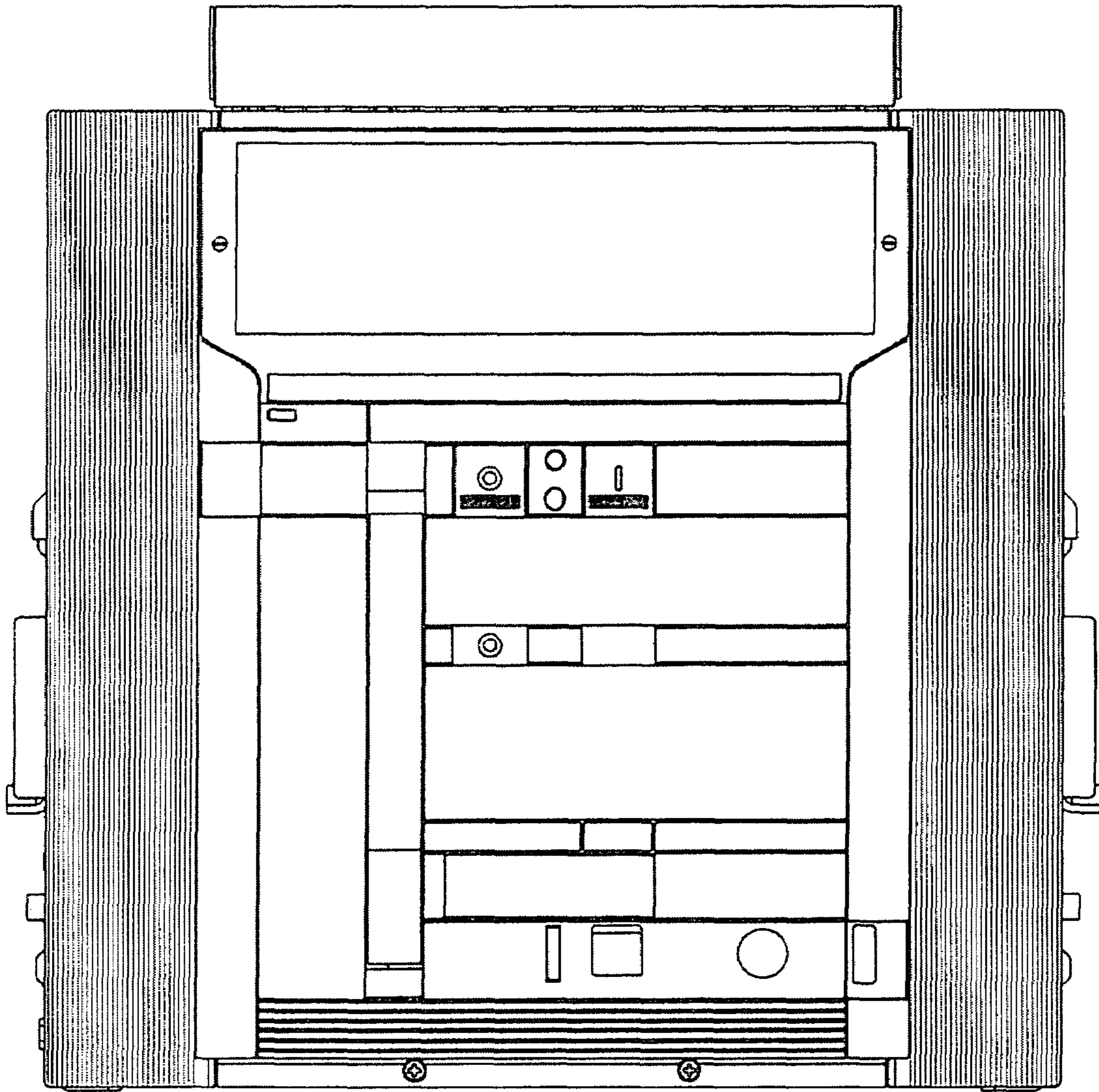


Fig.20

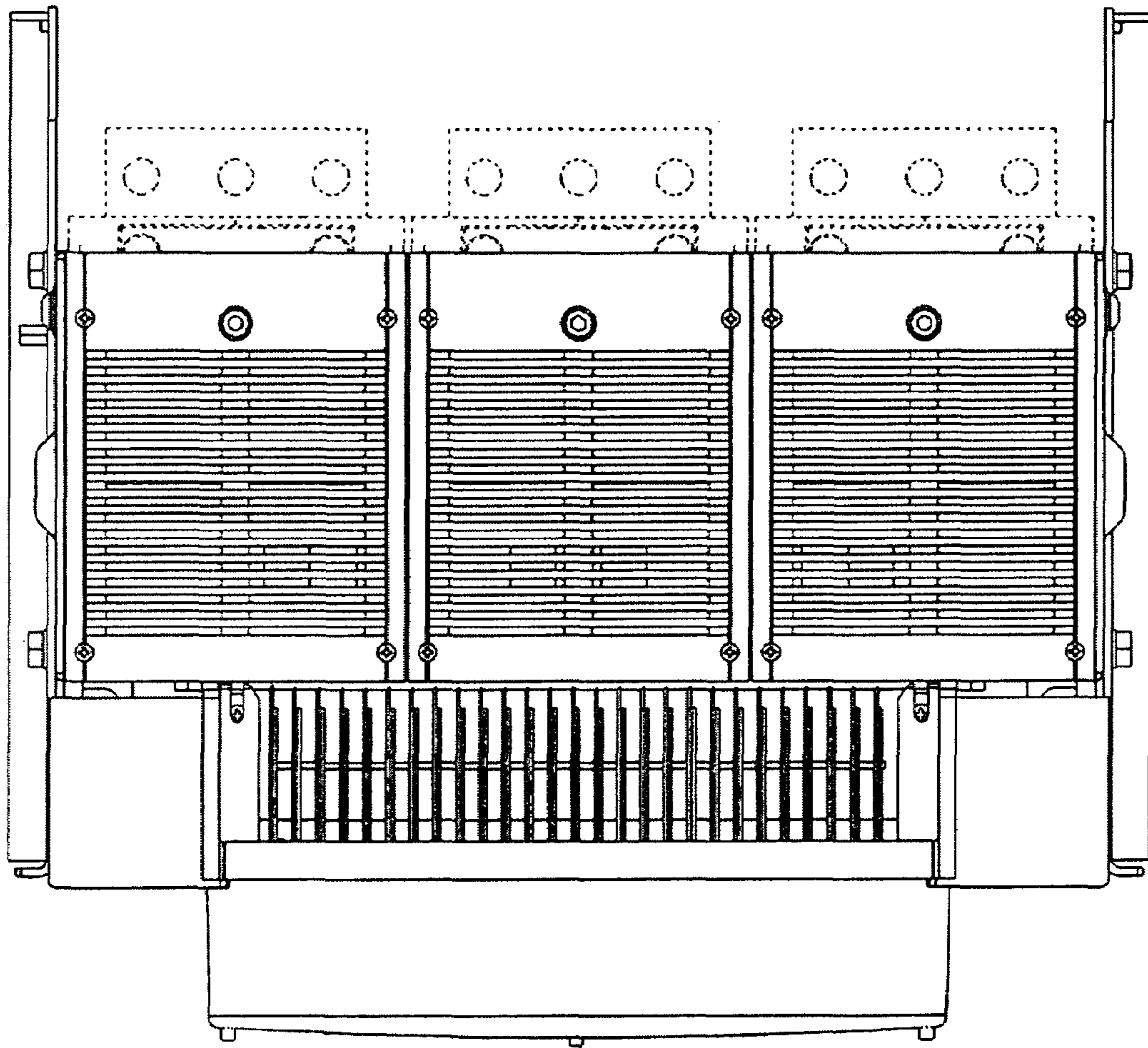


Fig.21

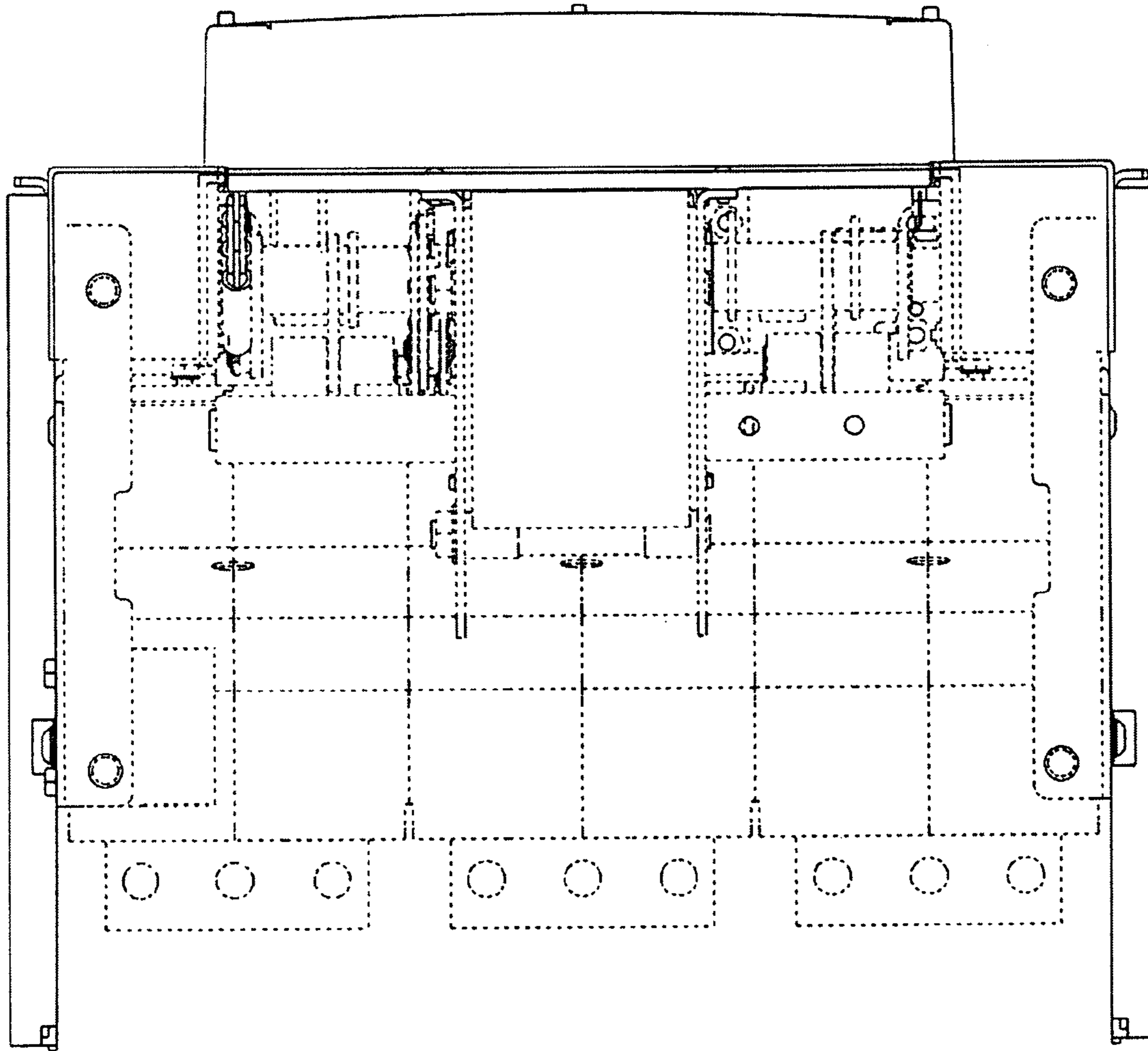


Fig.22

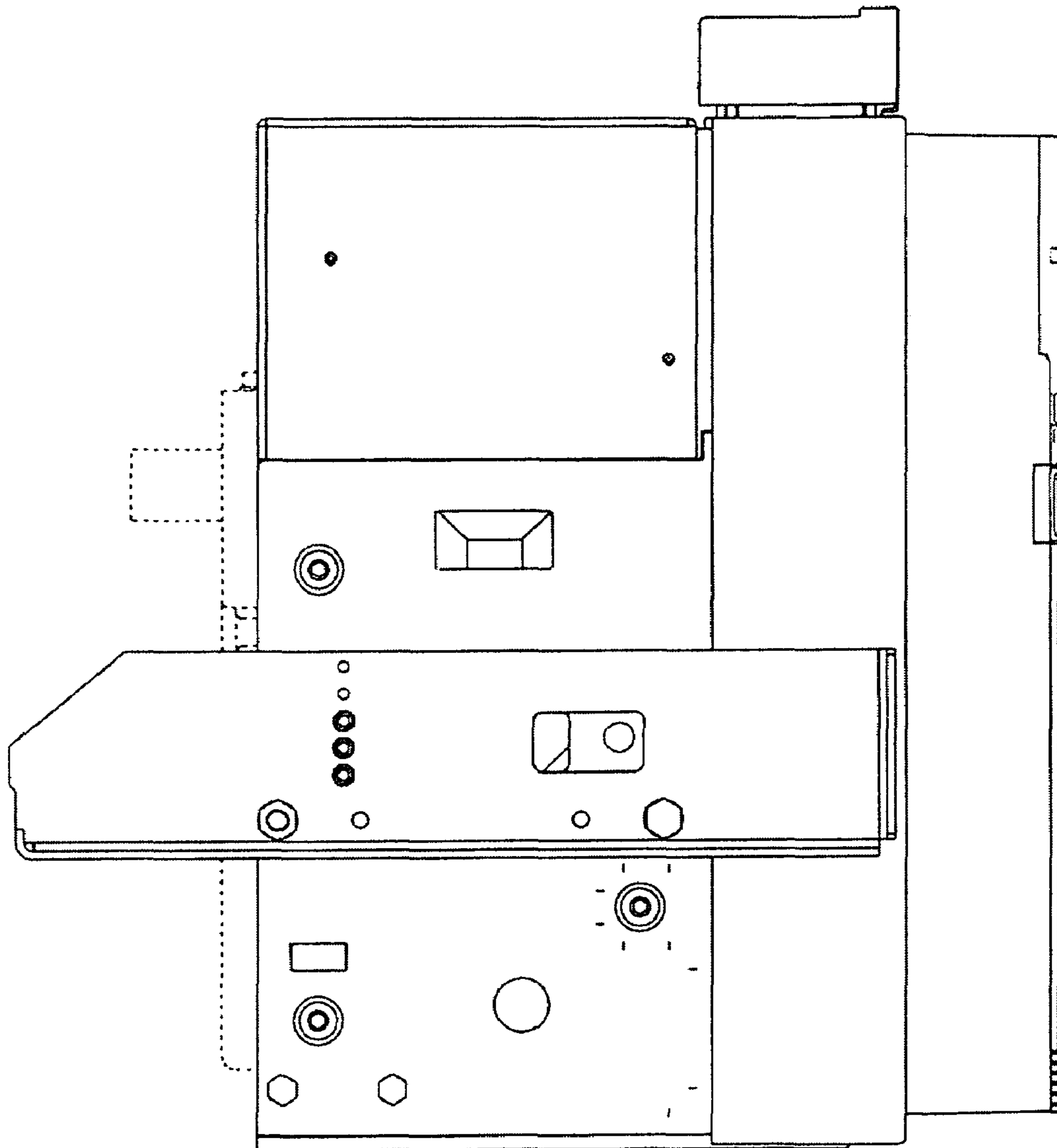


Fig.23

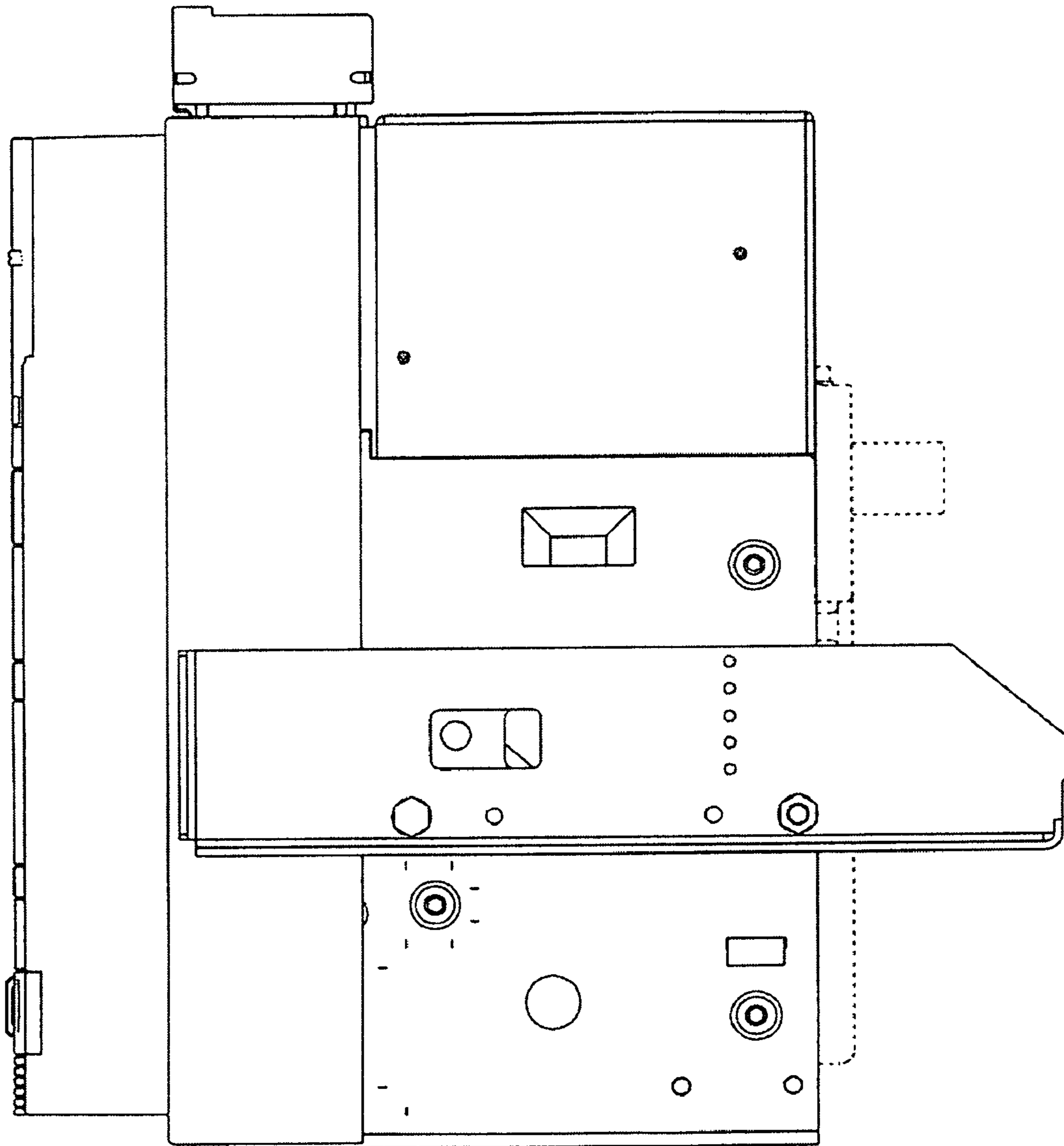


Fig. 24

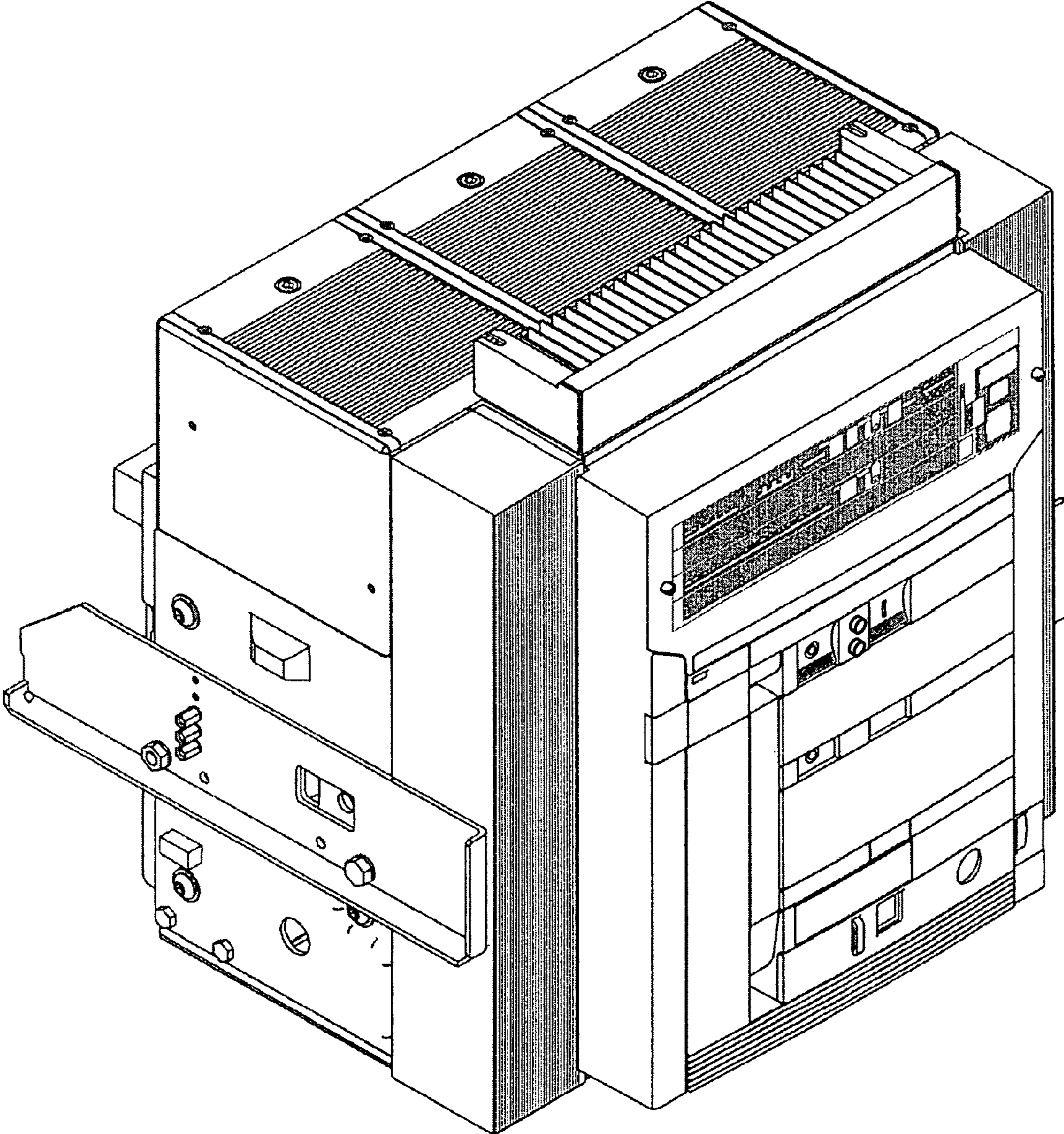


Fig. 25

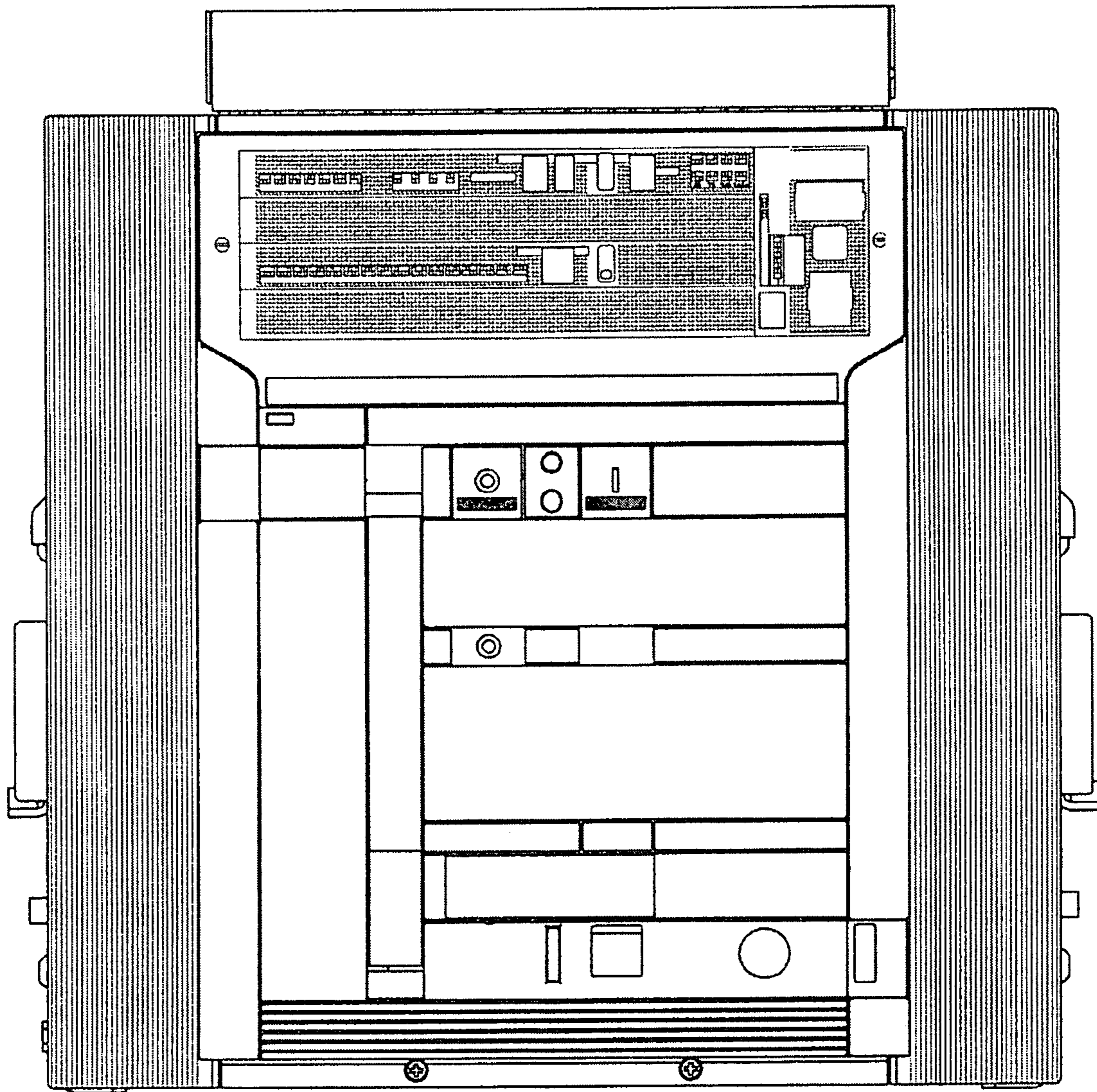


Fig.26

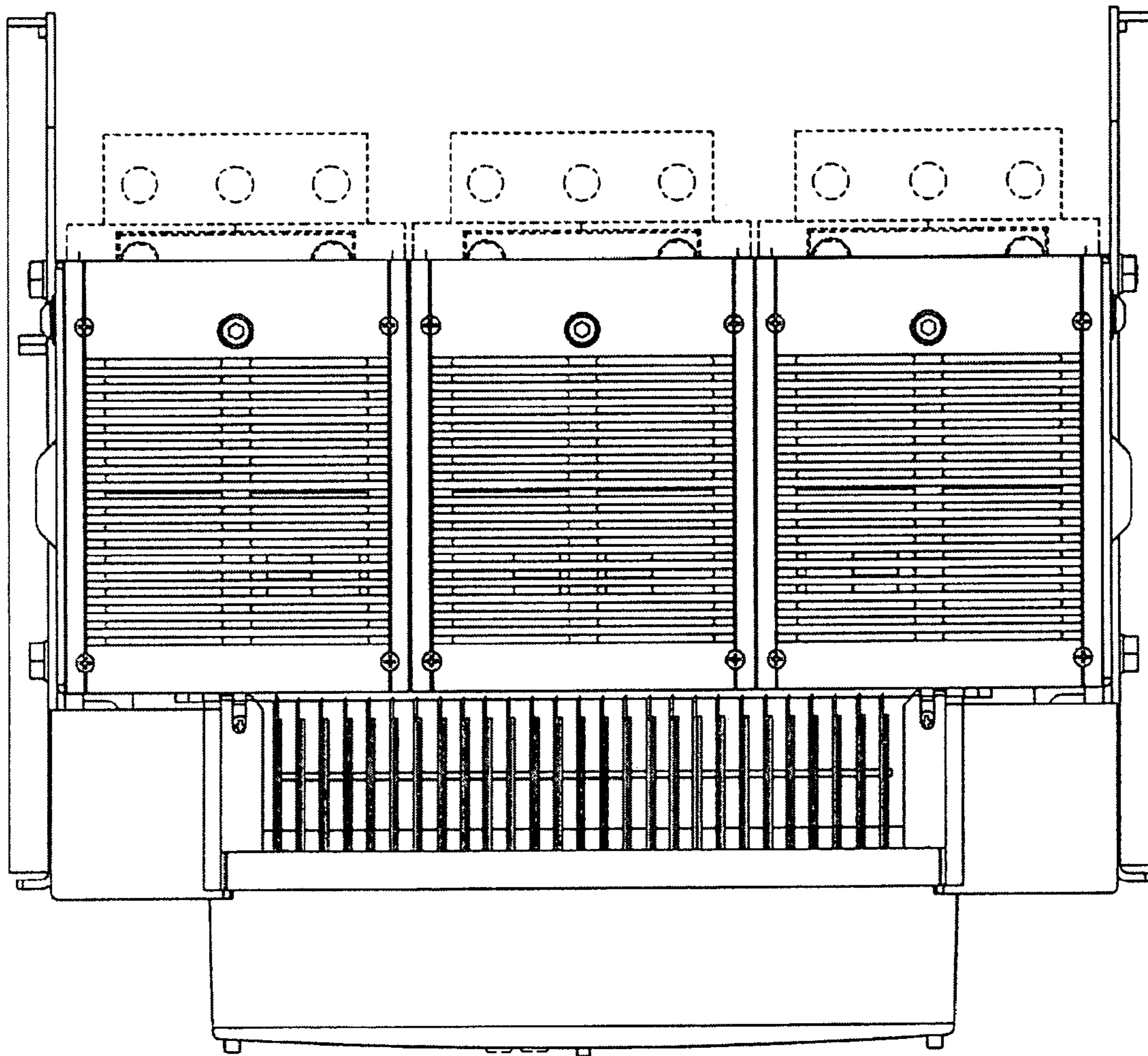


Fig. 27

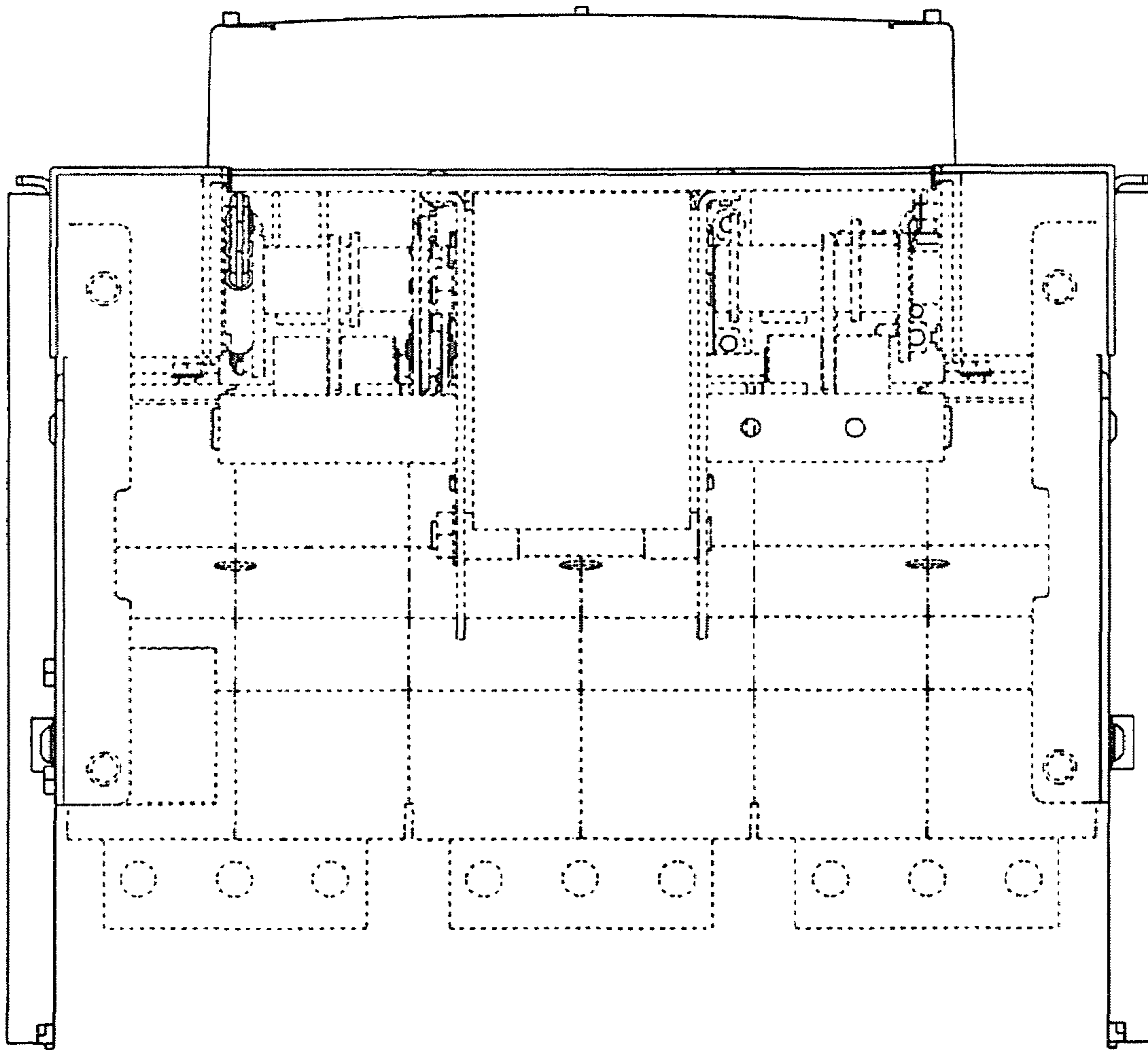


Fig.28

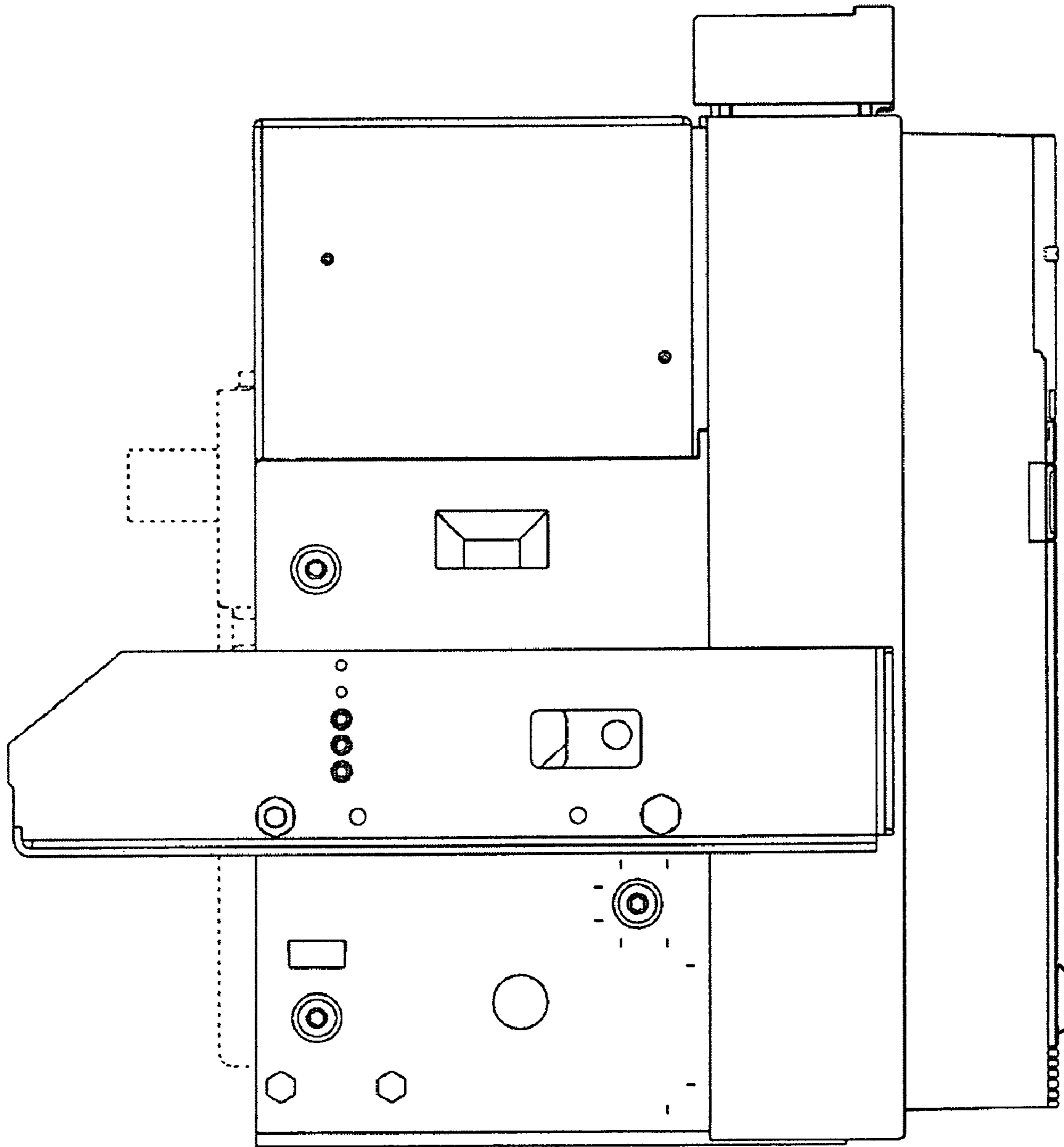


Fig. 29

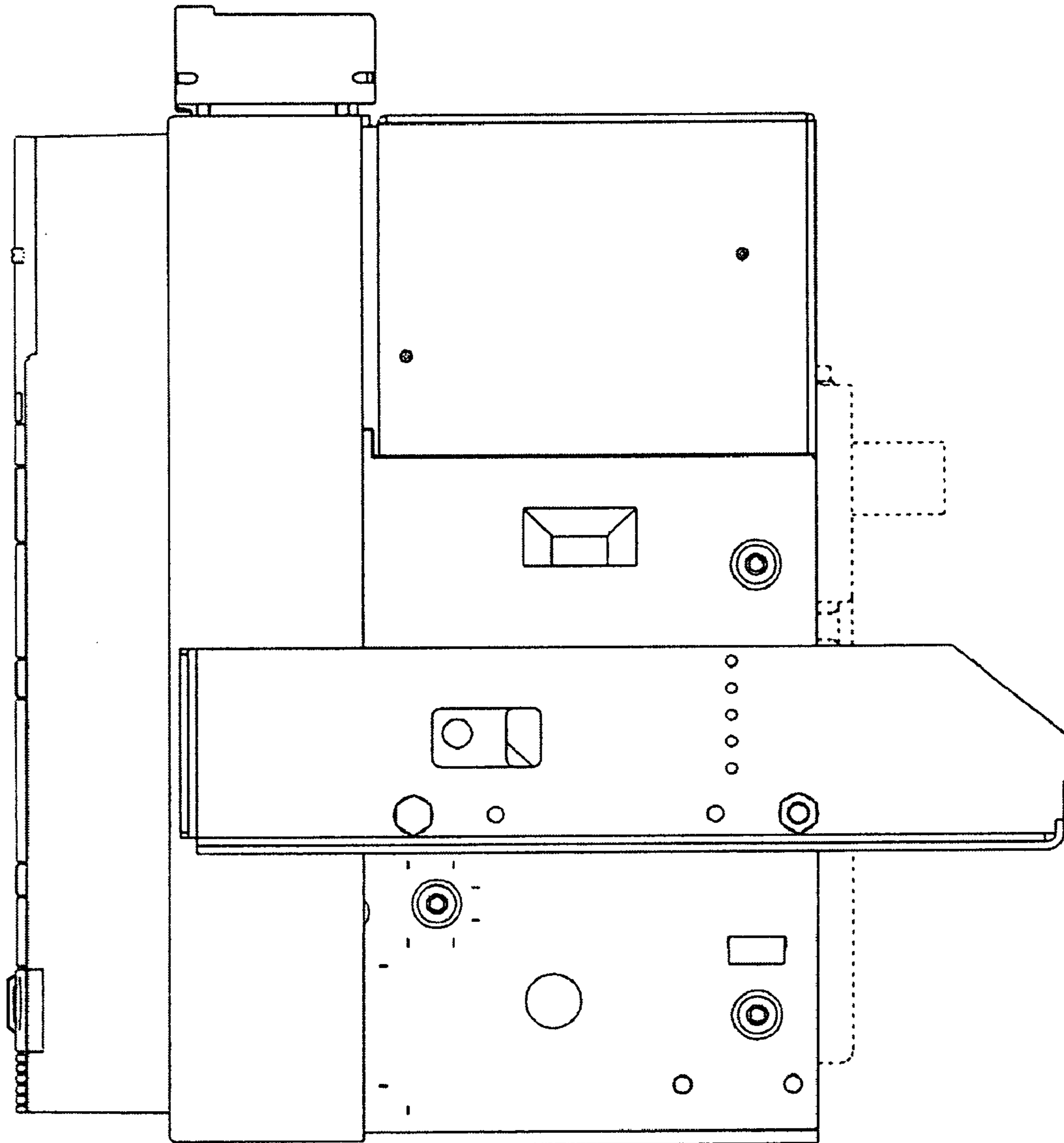


Fig. 30

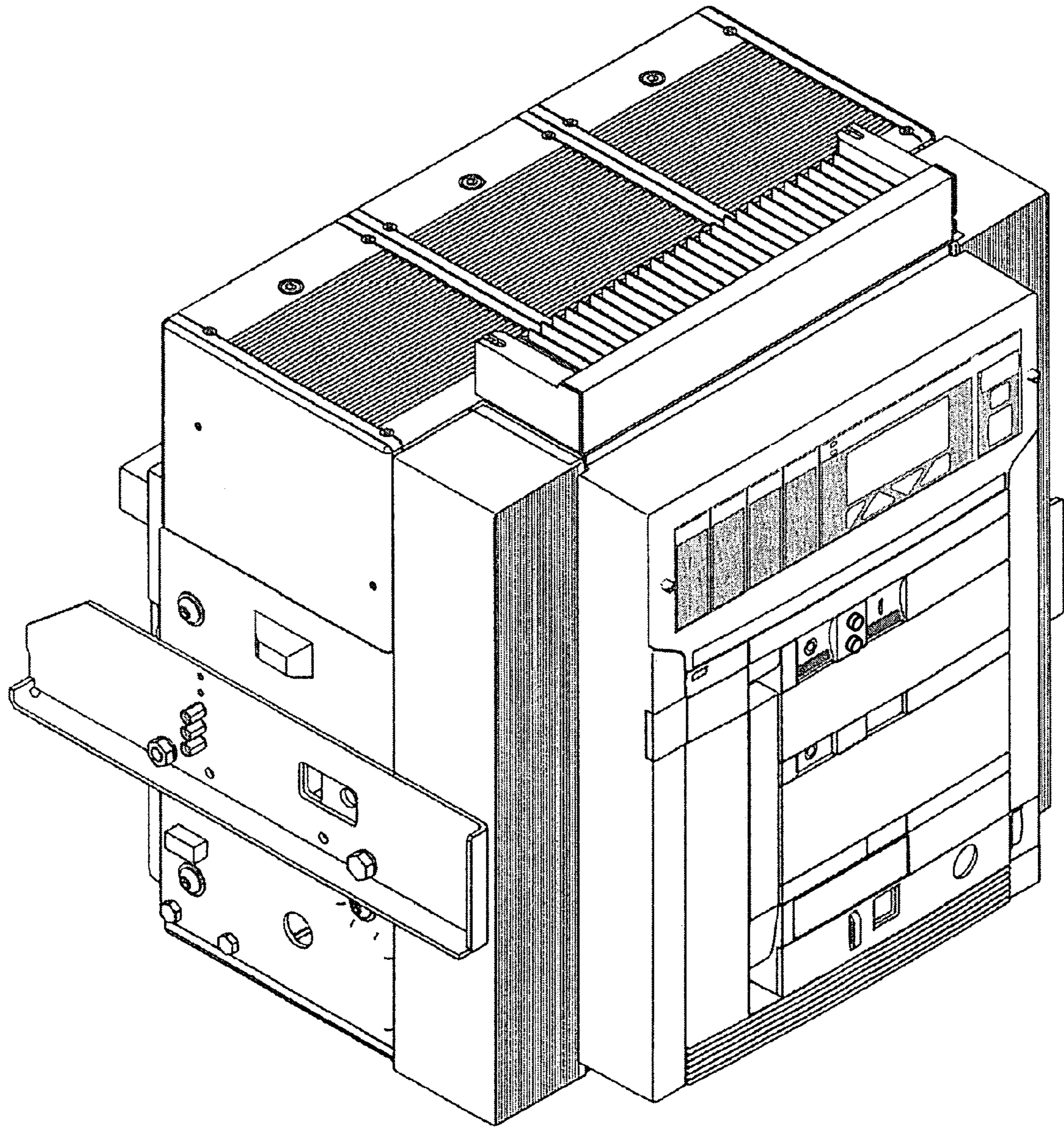


Fig. 31

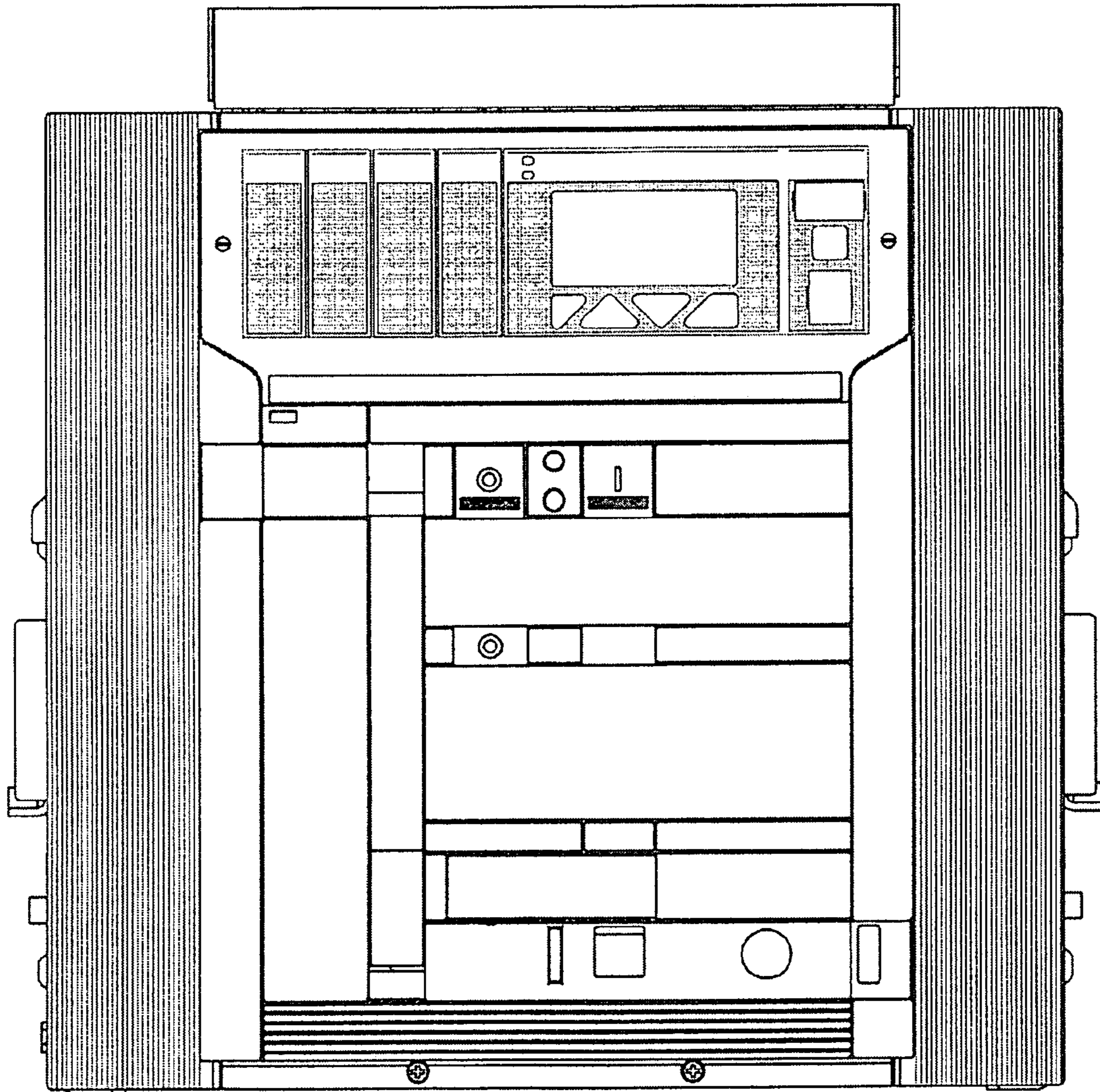


Fig.32

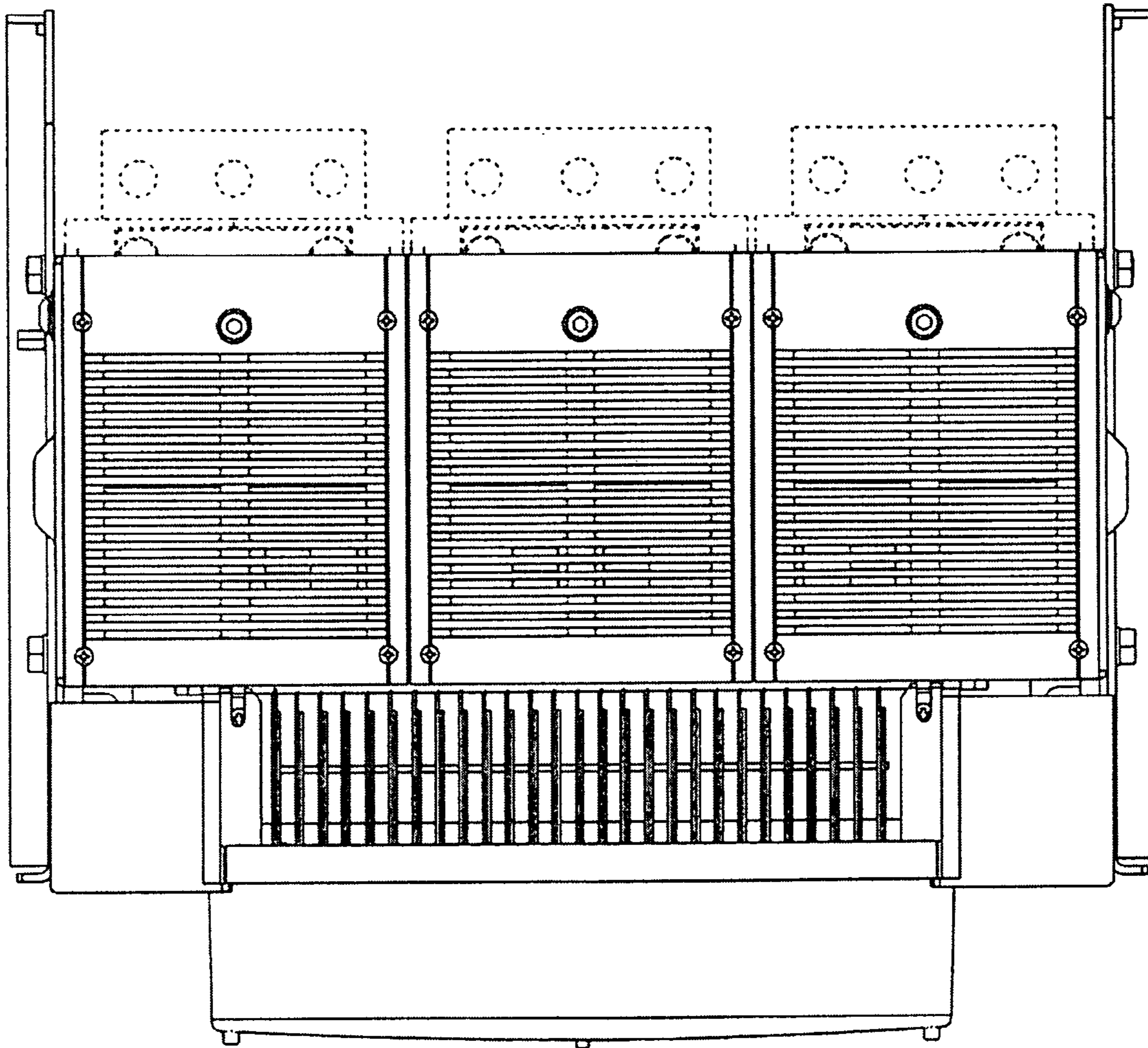


Fig.33

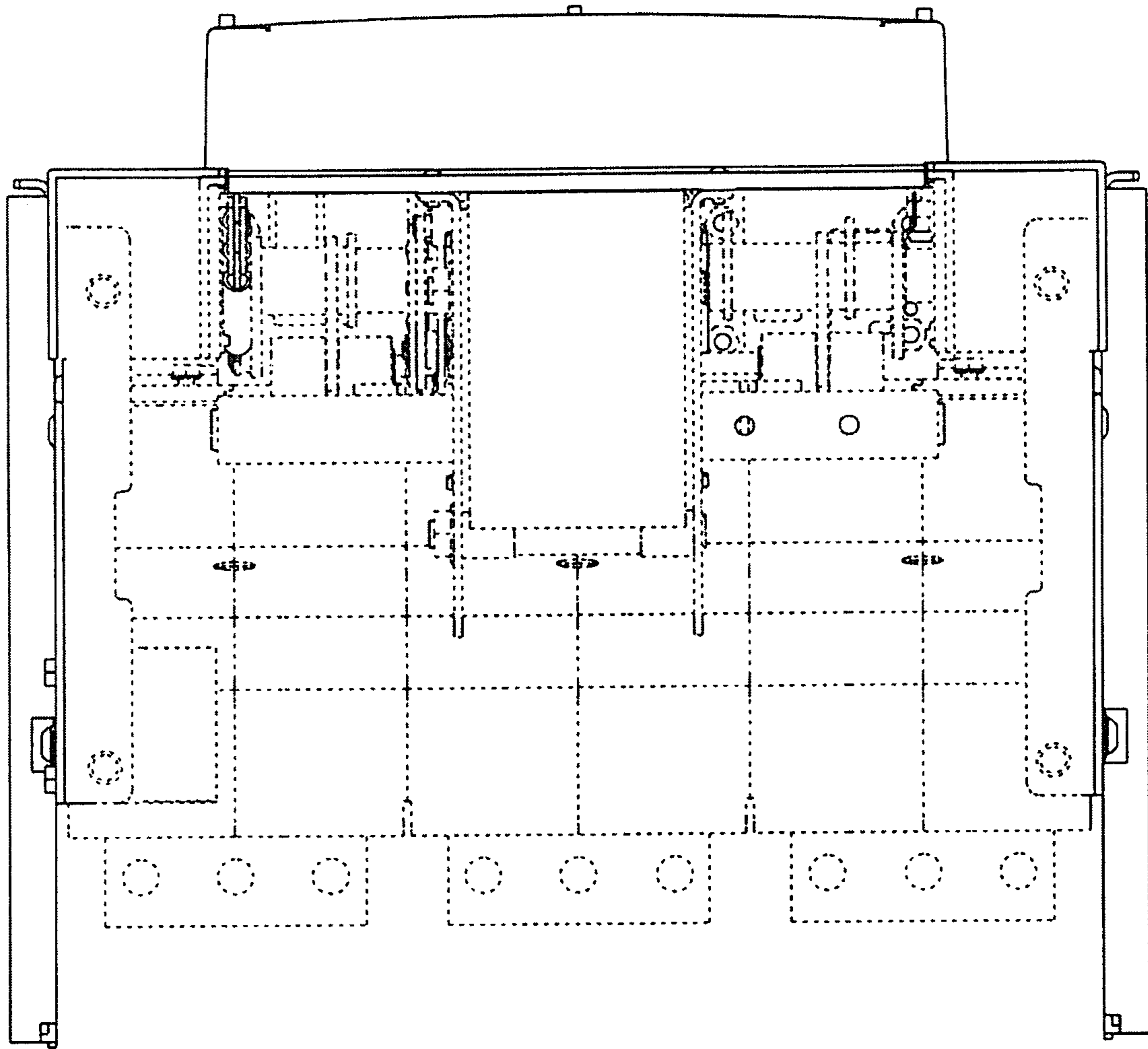


Fig.34

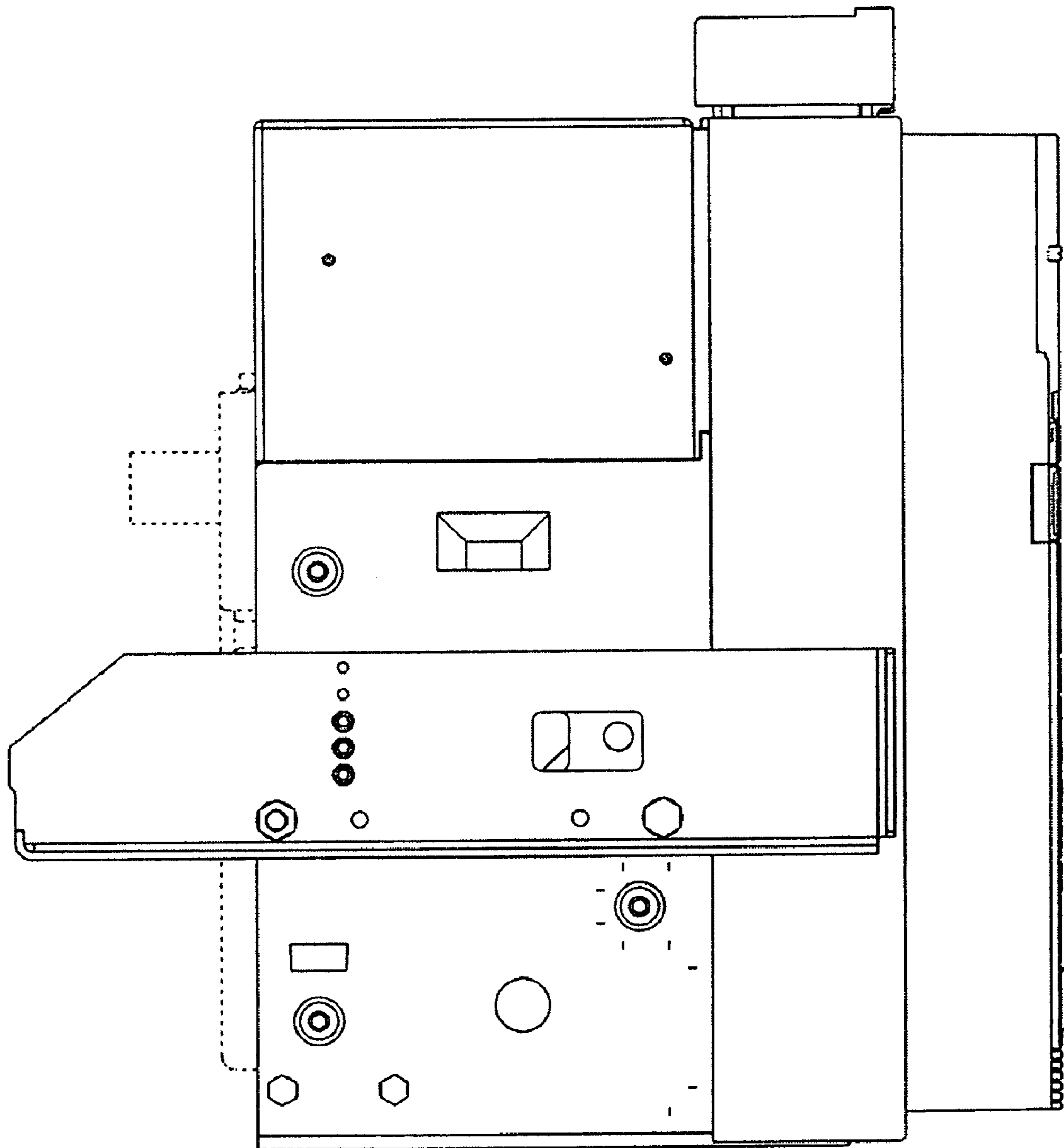


Fig. 35

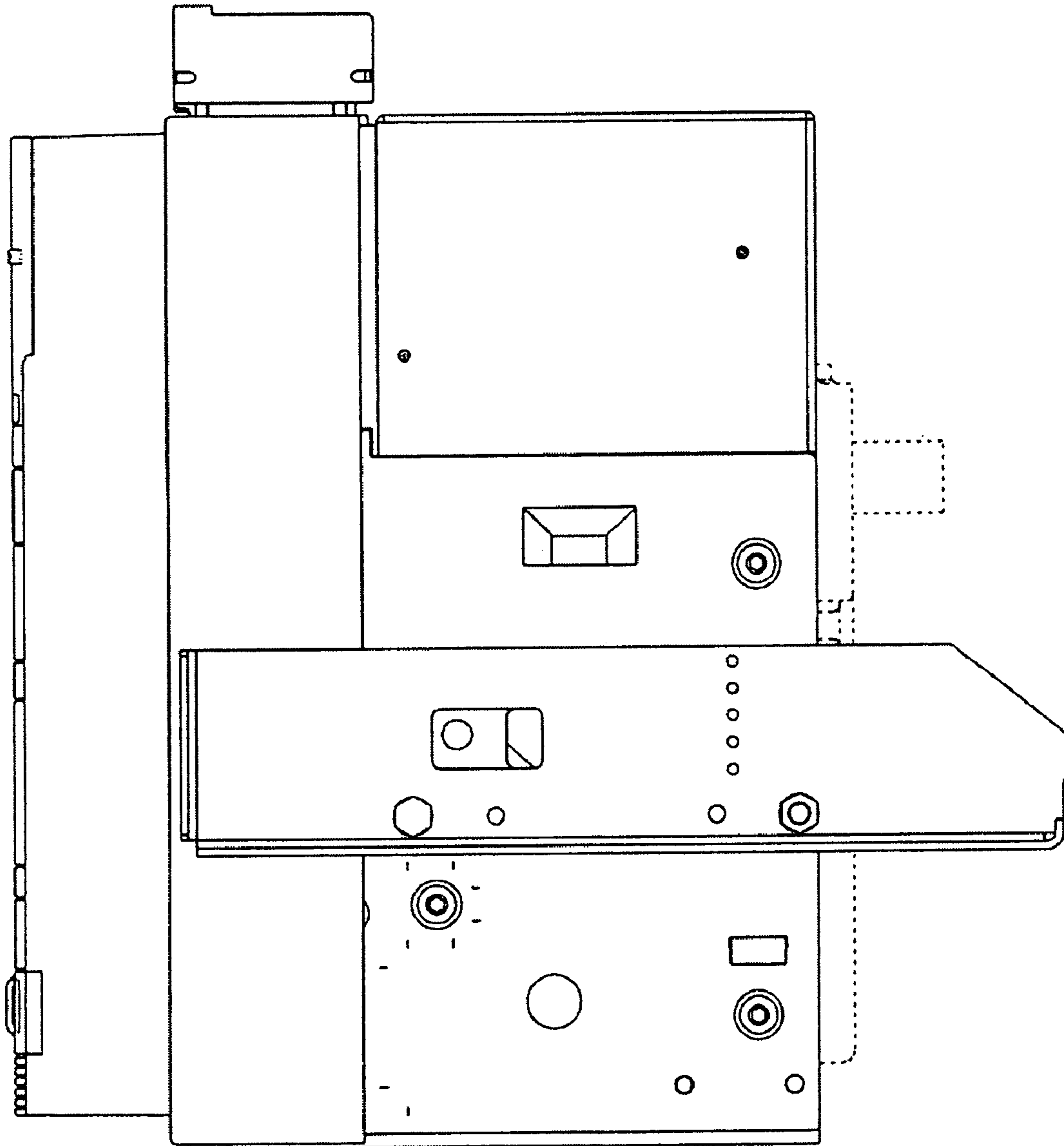


Fig. 36