



US00D599297S

(12) **United States Design Patent**
Chen

(10) **Patent No.:** **US D599,297 S**

(45) **Date of Patent:** **** Sep. 1, 2009**

(54) **ELECTRICAL CONNECTOR**

(75) Inventor: **De-Jin Chen**, Shenzhen (CN)

(73) Assignee: **Hon Hai Precision Ind. Co., Ltd.**,
Taipei Hsien (TW)

(**) Term: **14 Years**

(21) Appl. No.: **29/313,225**

(22) Filed: **Dec. 18, 2008**

(30) **Foreign Application Priority Data**

Jun. 18, 2008 (CN) 2008 3 0038762

(51) **LOC (9) Cl.** **13-03**

(52) **U.S. Cl.** **D13/147**

(58) **Field of Classification Search** D13/133,
D13/146-147, 154, 184; 439/352, 595, 607-610,
439/680, 682, 685, 752

See application file for complete search history.

(56) **References Cited**

U.S. PATENT DOCUMENTS

D310,995 S * 10/1990 Yamamoto D13/147

D311,733 S * 10/1990 Kuzuno et al. D13/133

D324,032 S * 2/1992 Sueyoshi et al. D13/147

5,127,848 A * 7/1992 Taguchi 439/489

D415,999 S * 11/1999 Esposito D13/162

D503,150 S * 3/2005 Yamawaki et al. D13/147

D528,984 S * 9/2006 Li D13/147

* cited by examiner

Primary Examiner—Daniel D Bui

(74) *Attorney, Agent, or Firm*—Wei Te Chung

(57) **CLAIM**

The ornamental design for an electrical connector, as shown and described.

DESCRIPTION

FIG. 1 is a front, top and right side perspective view of an electrical connector showing my new design;

FIG. 2 is a front elevational view thereof;

FIG. 3 is a rear elevational view thereof;

FIG. 4 is a left side elevational view thereof;

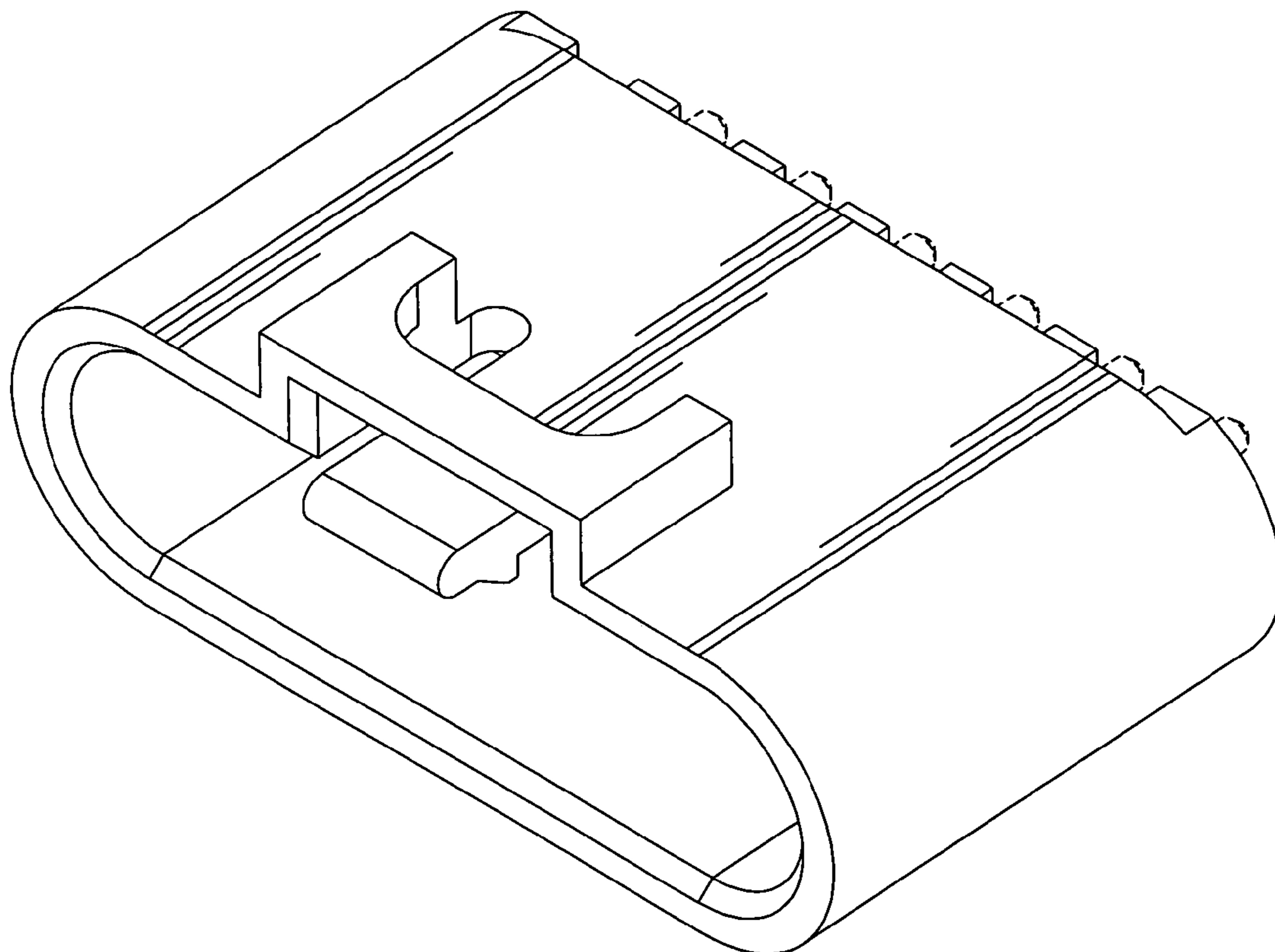
FIG. 5 is a right side elevational view thereof;

FIG. 6 is a top plan view thereof; and,

FIG. 7 is a bottom plan view thereof.

The broken lines showing of the environment are for illustrative purposes only and form no part of the claimed design.

1 Claim, 7 Drawing Sheets



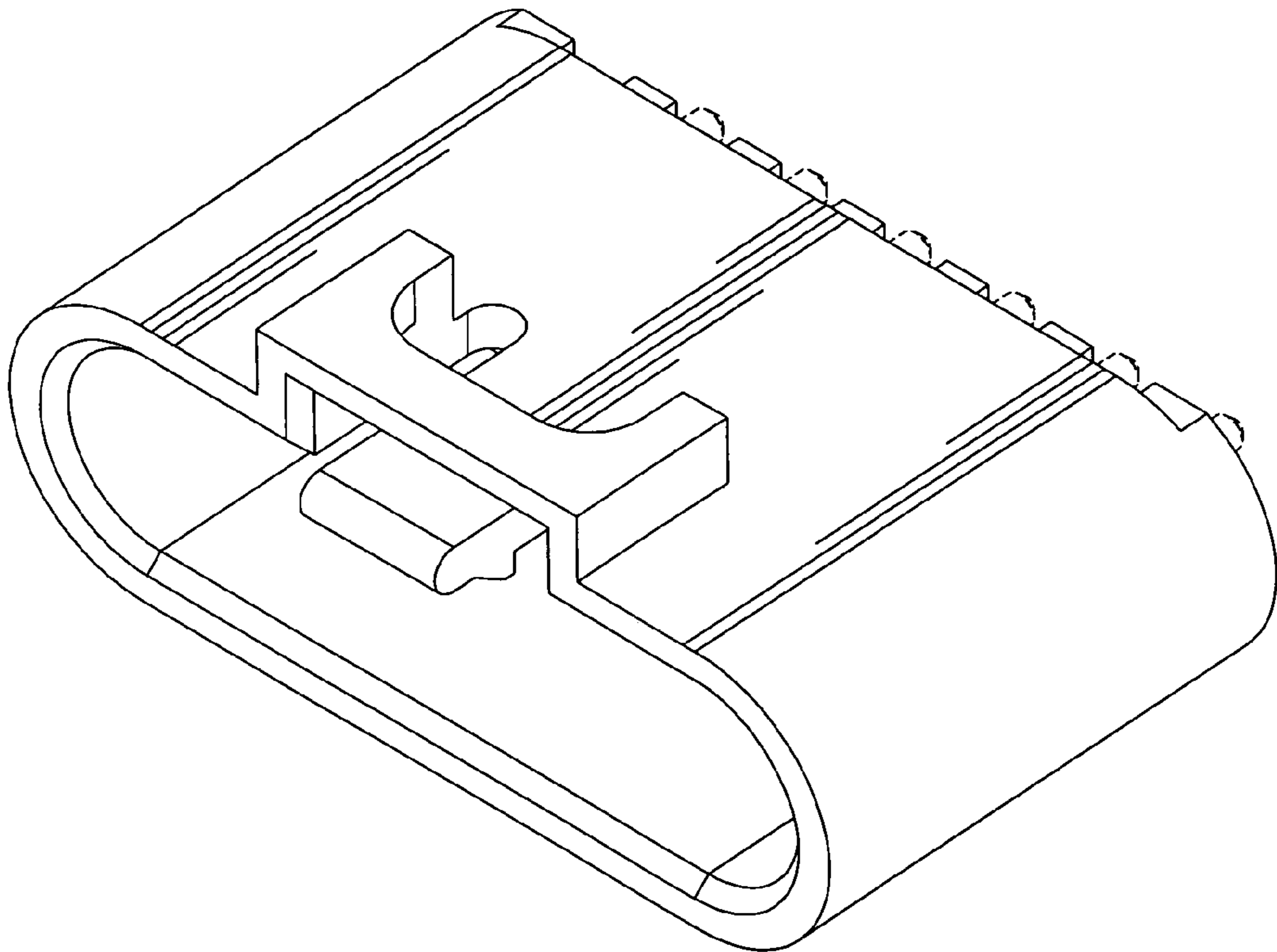


FIG. 1

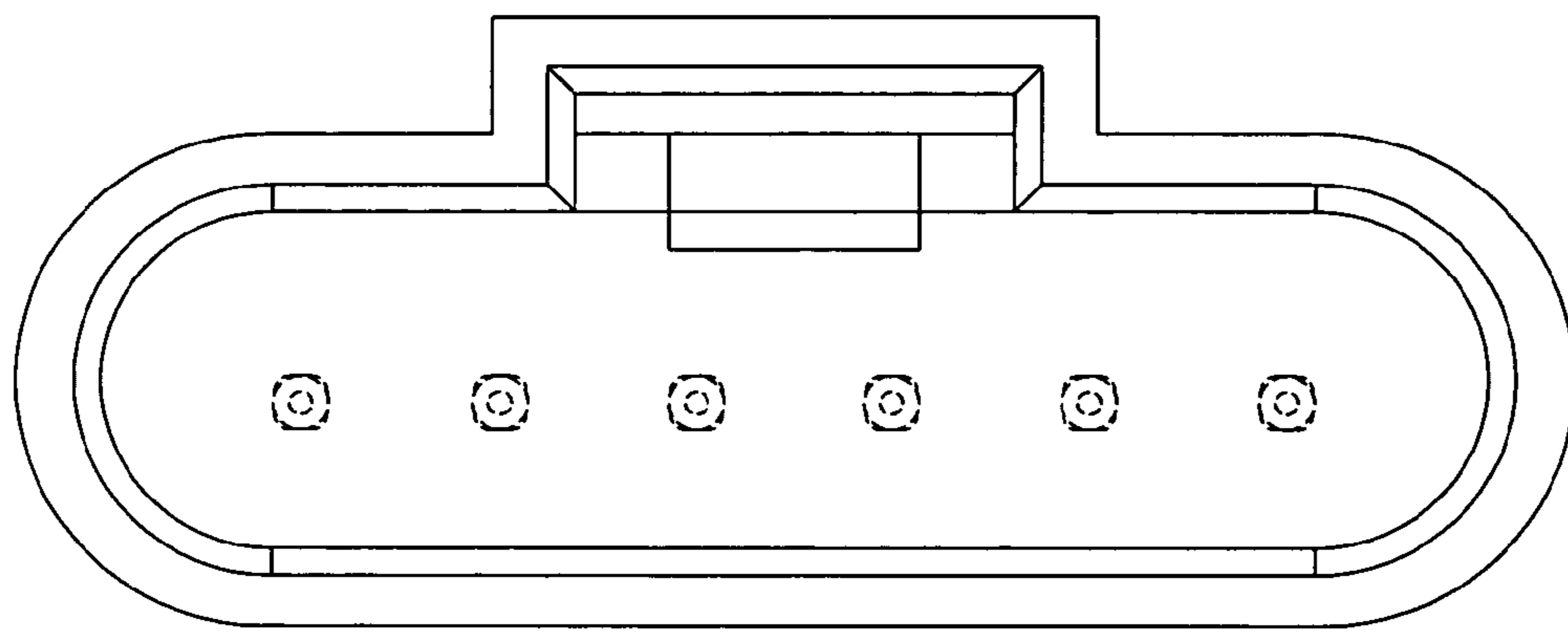


FIG. 2

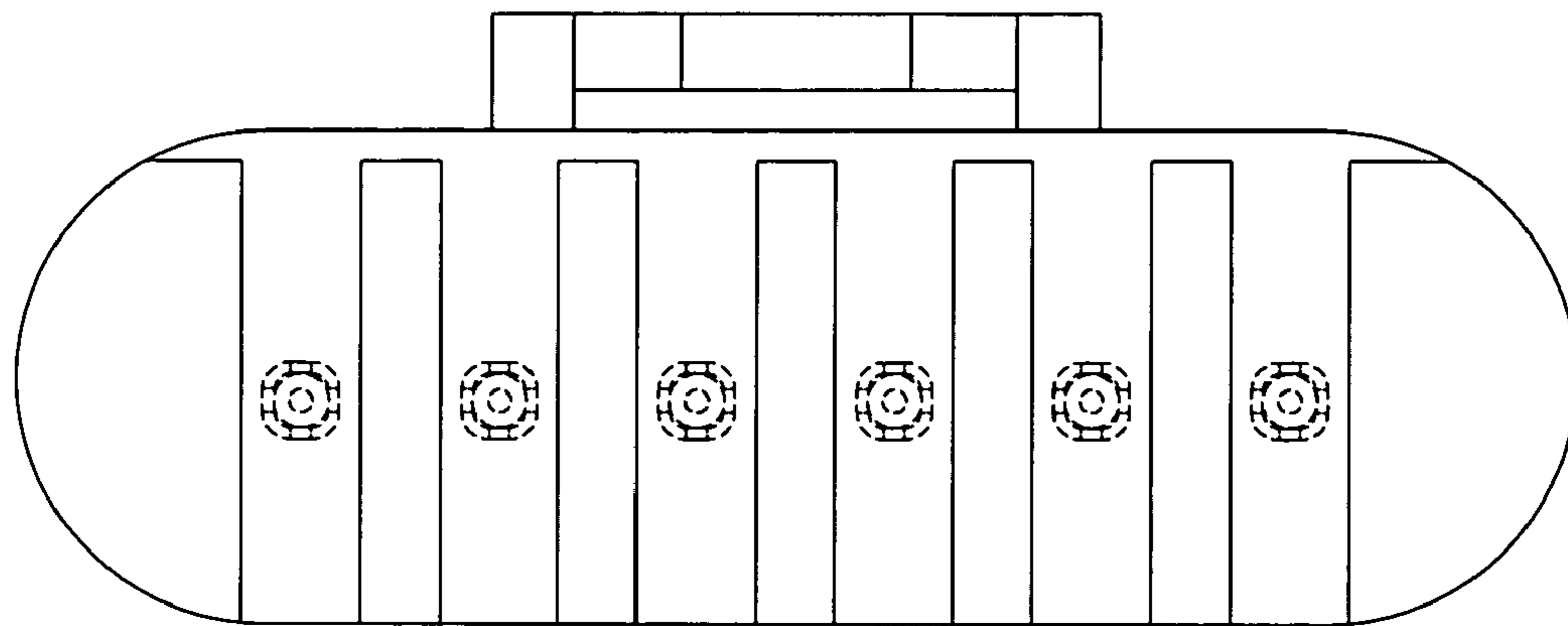


FIG. 3

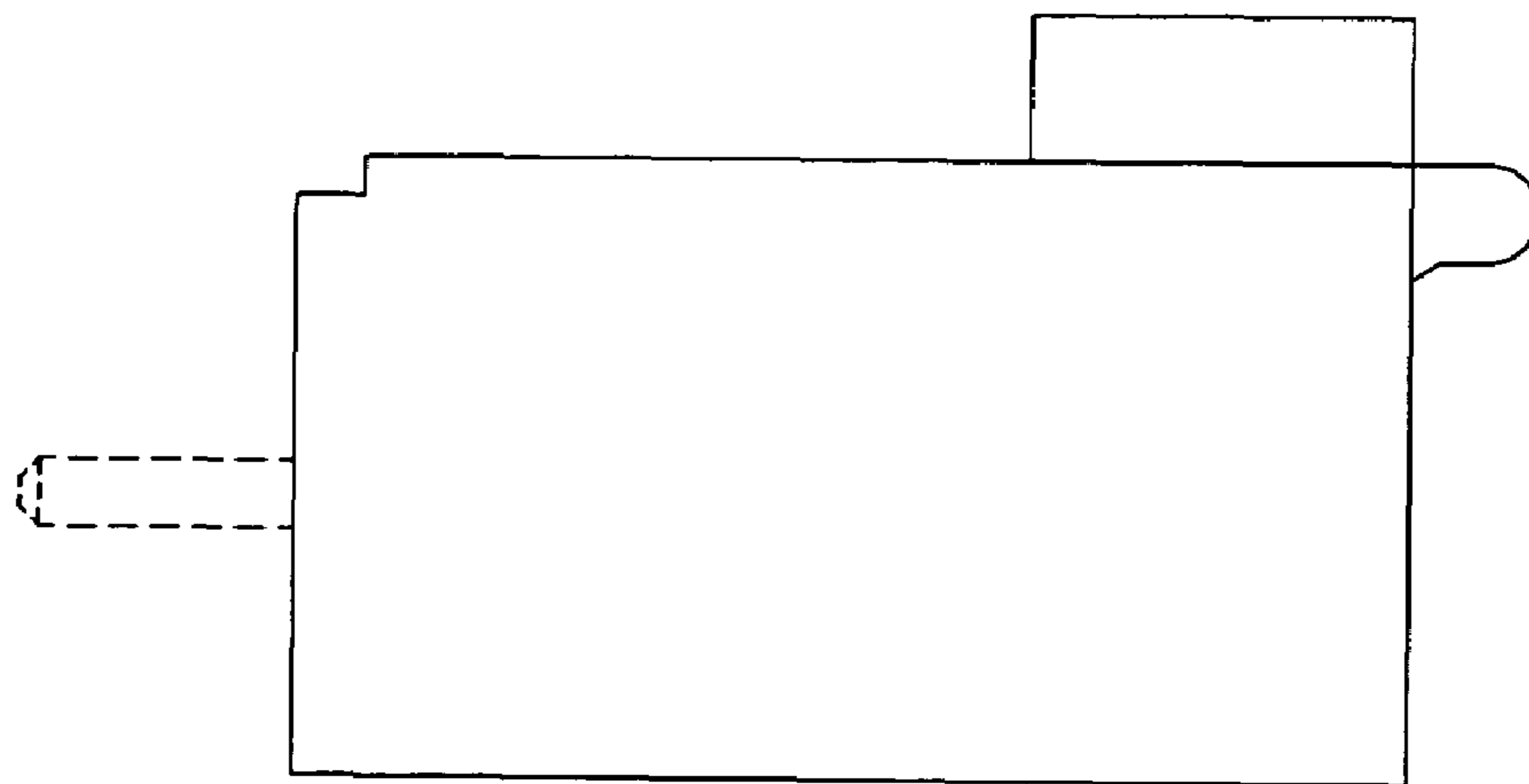


FIG. 4

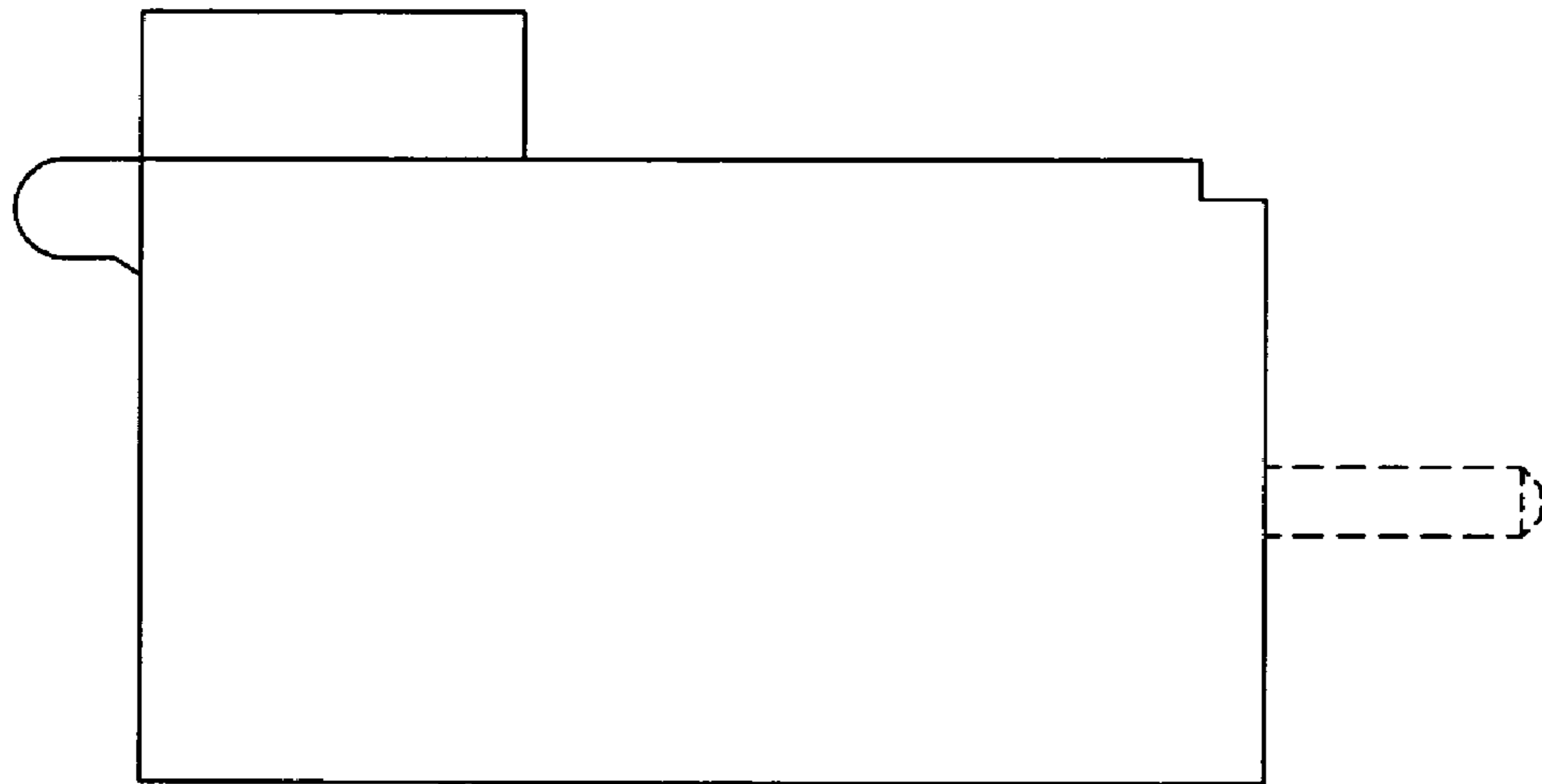


FIG. 5

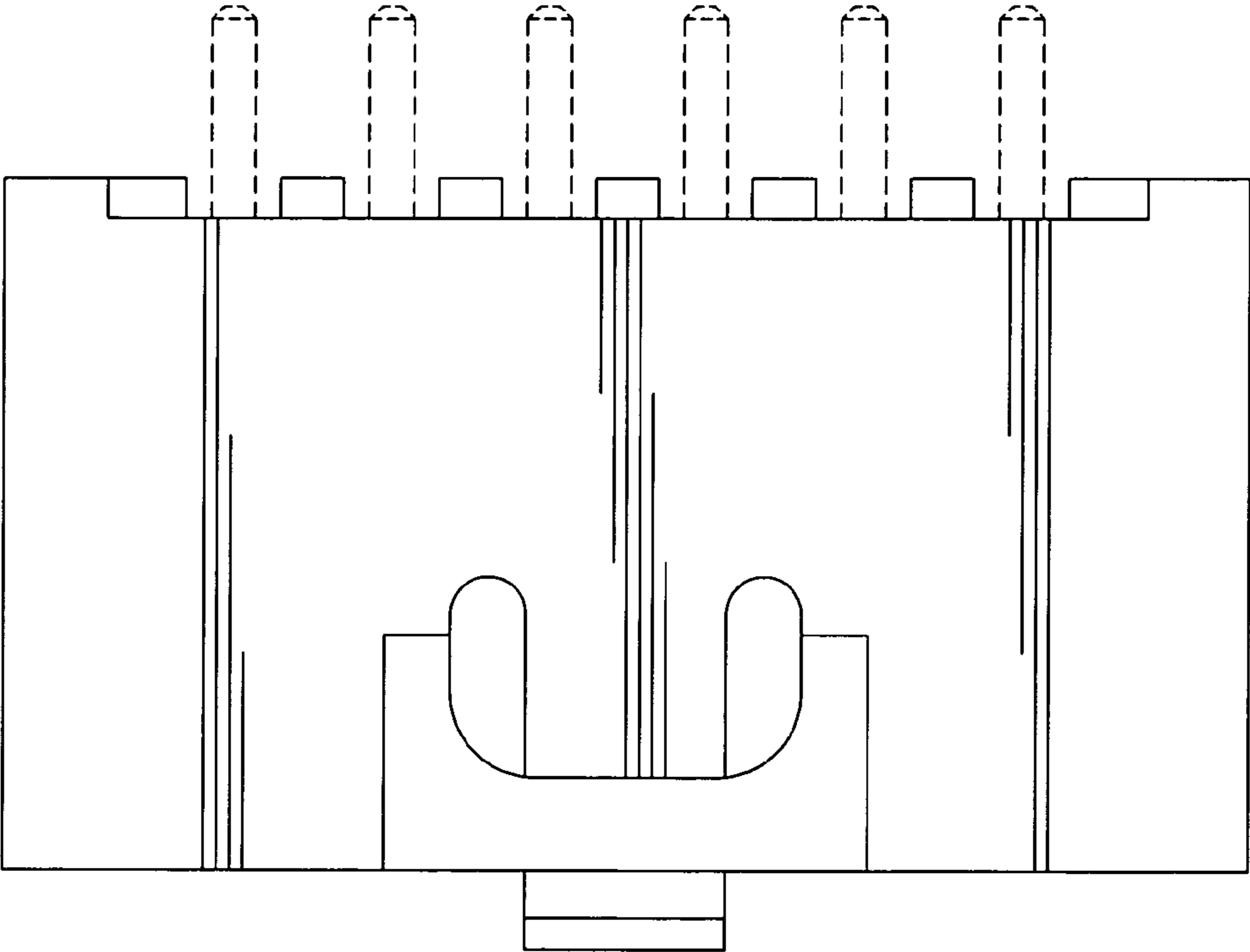


FIG. 6

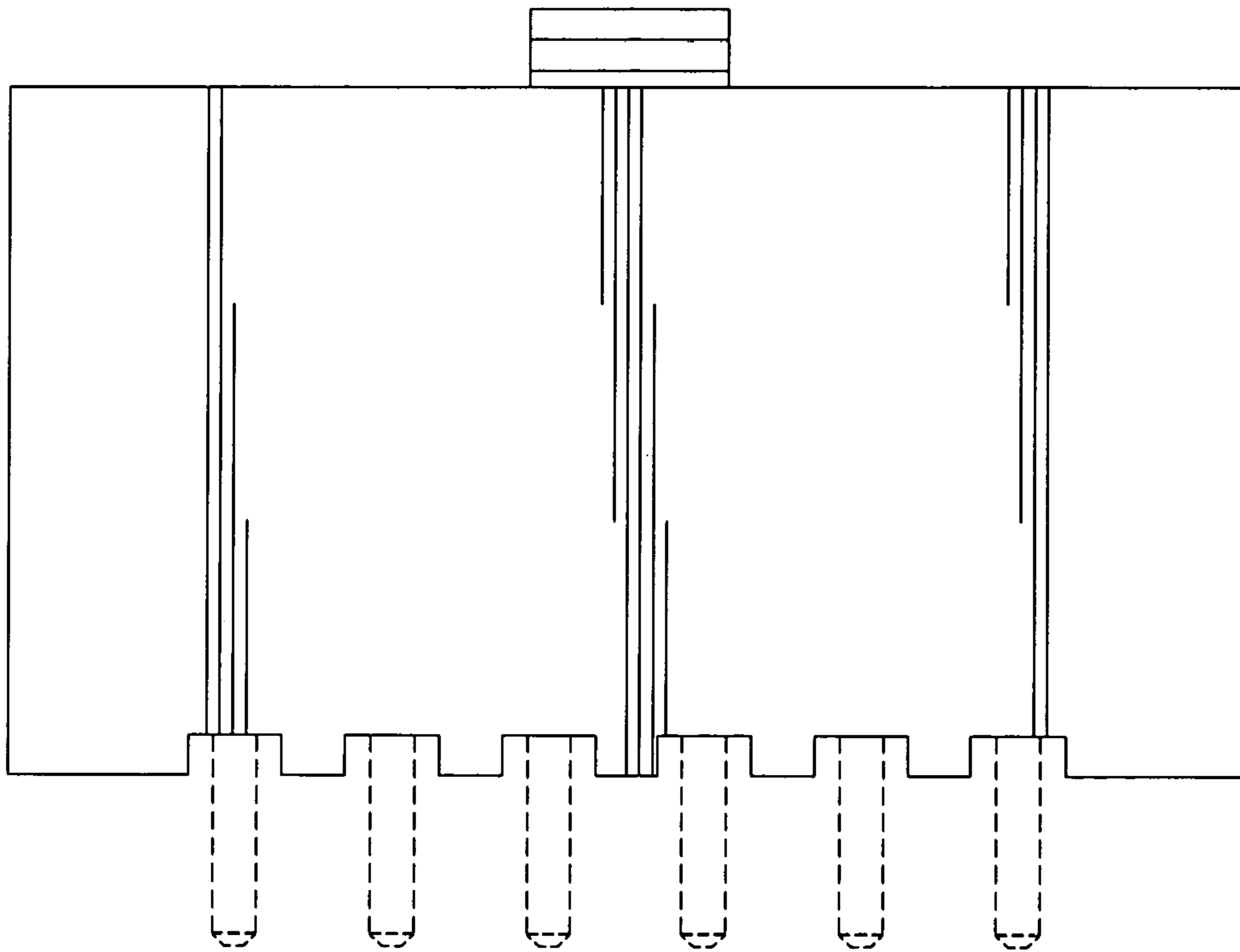


FIG. 7