



US00D599294S

(12) **United States Design Patent**  
**Yang et al.**

(10) **Patent No.:** **US D599,294 S**

(45) **Date of Patent:** **\*\* Sep. 1, 2009**

(54) **RECEPTACLE CONNECTOR**

(75) Inventors: **Chih Ling Yang**, Tu-Cheng (TW); **Hsin Tsung Ho**, Tu-Cheng (TW)

(73) Assignee: **Cheng Uei Precision Industry Co., Ltd.**, Taipei Hsien (TW)

(\*\*) Term: **14 Years**

(21) Appl. No.: **29/309,899**

(22) Filed: **Nov. 7, 2008**

(51) **LOC (9) Cl.** ..... **13-03**

(52) **U.S. Cl.** ..... **D13/147**

(58) **Field of Classification Search** ..... D13/147,  
D13/154, 184; 439/79, 108, 378, 497, 567,  
439/607-610, 668, 680

See application file for complete search history.

(56) **References Cited**

**U.S. PATENT DOCUMENTS**

D478,050 S *	8/2003	Nishio et al. ....	D13/147
D481,681 S *	11/2003	Takahashi ....	D13/147
D523,400 S *	6/2006	Shang-Yen et al. ....	D13/147
D523,813 S *	6/2006	He et al. ....	D13/147
D550,160 S *	9/2007	Fujimoto ....	D13/147

\* cited by examiner

*Primary Examiner*—Daniel D Bui

(74) *Attorney, Agent, or Firm*—Rosenberg, Klein & Lee

(57) **CLAIM**

The ornamental design for a receptacle connector, as shown and described.

**DESCRIPTION**

FIG. 1 is a perspective view of a receptacle connector showing our new design;

FIG. 2 is a front elevational view thereof;

FIG. 3 is a rear elevational view thereof;

FIG. 4 is a left side elevational view thereof;

FIG. 5 is a right side elevational view thereof;

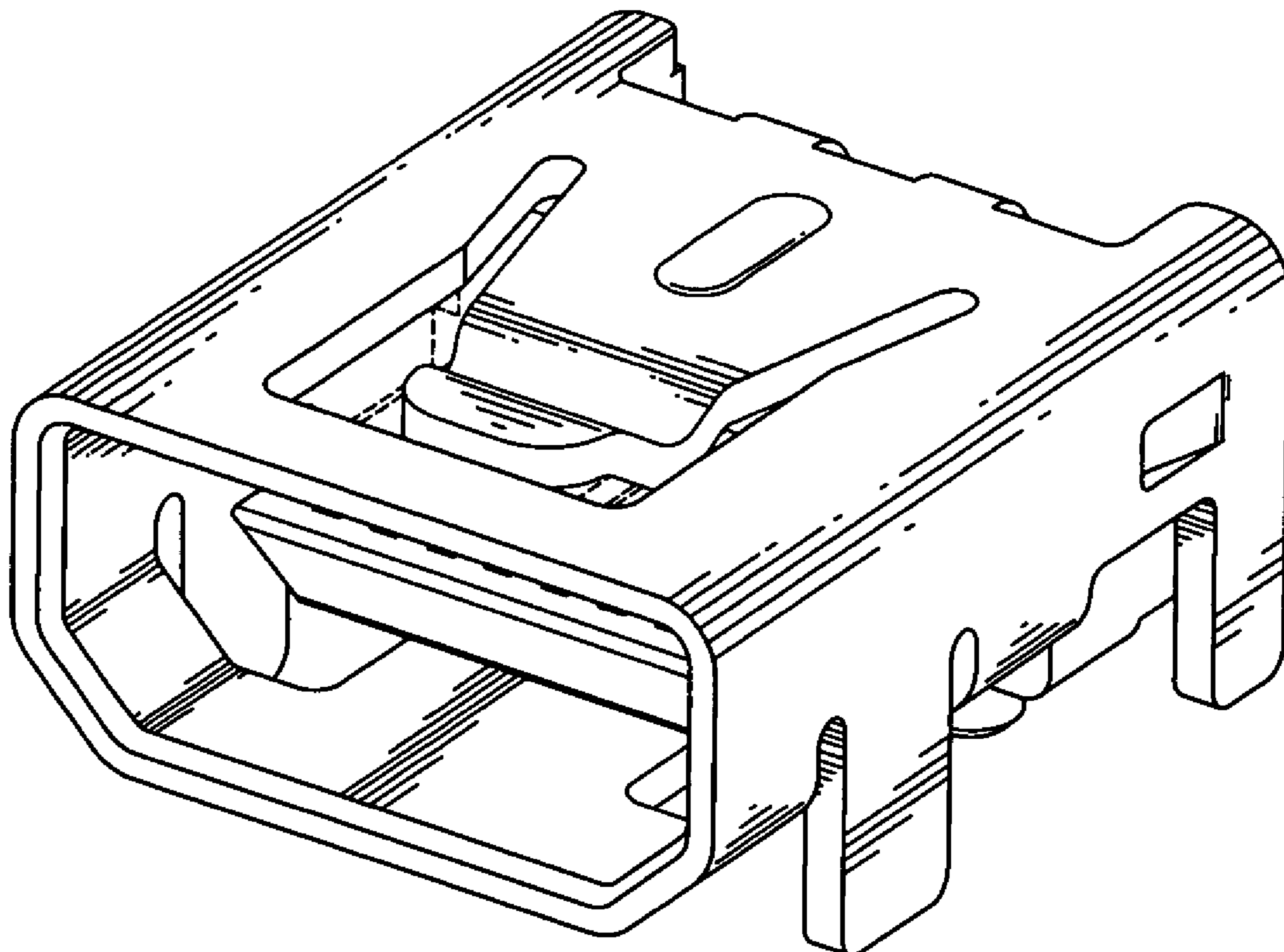
FIG. 6 is a top plan view thereof;

FIG. 7 is a bottom plan view thereof; and,

FIG. 8 is another perspective view of the receptacle connector showing our new design.

The broken line portion of the figure drawings is included to show unclaimed subject matter and forms no part of the claimed design.

**1 Claim, 8 Drawing Sheets**



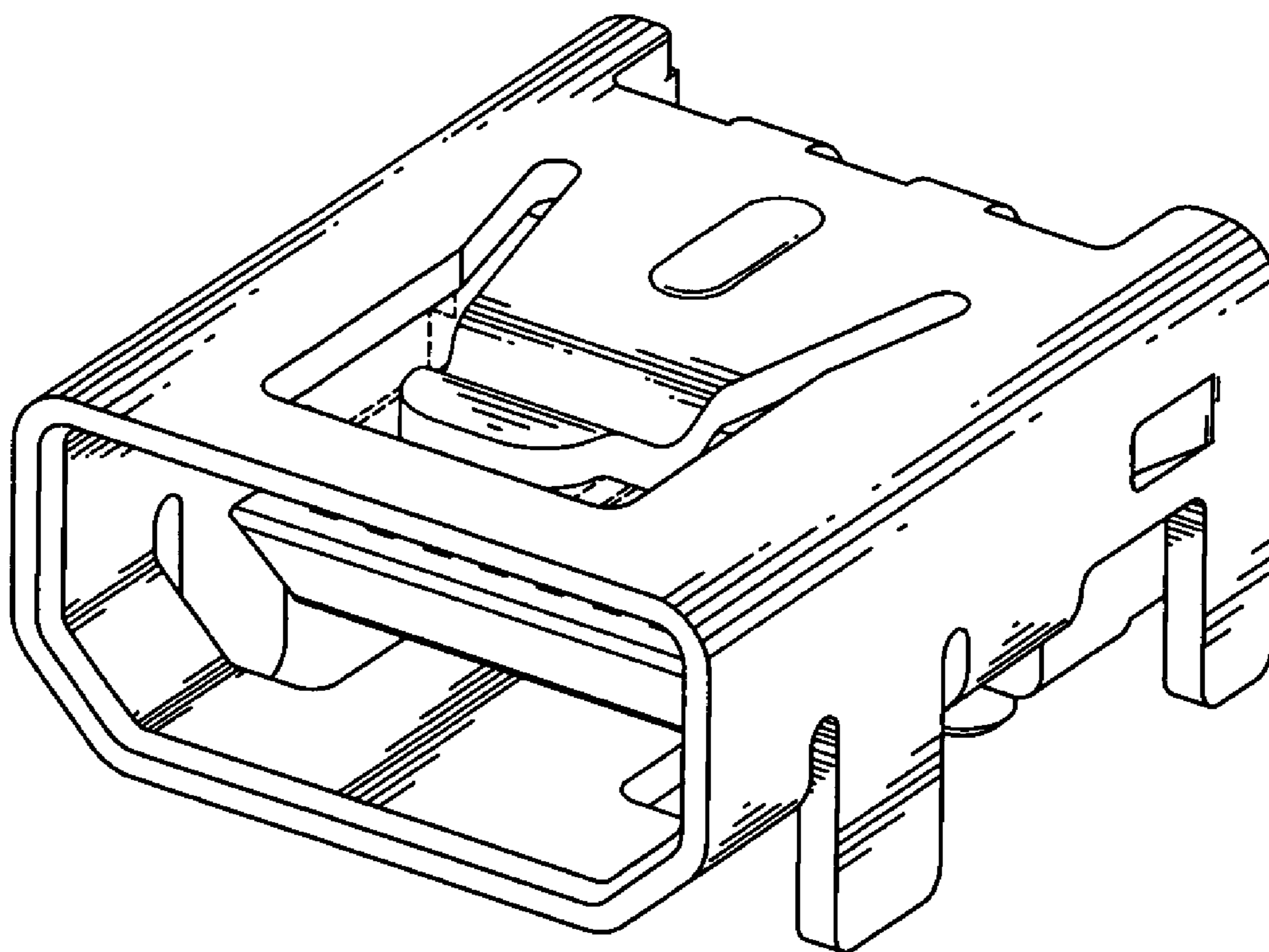


FIG. 1

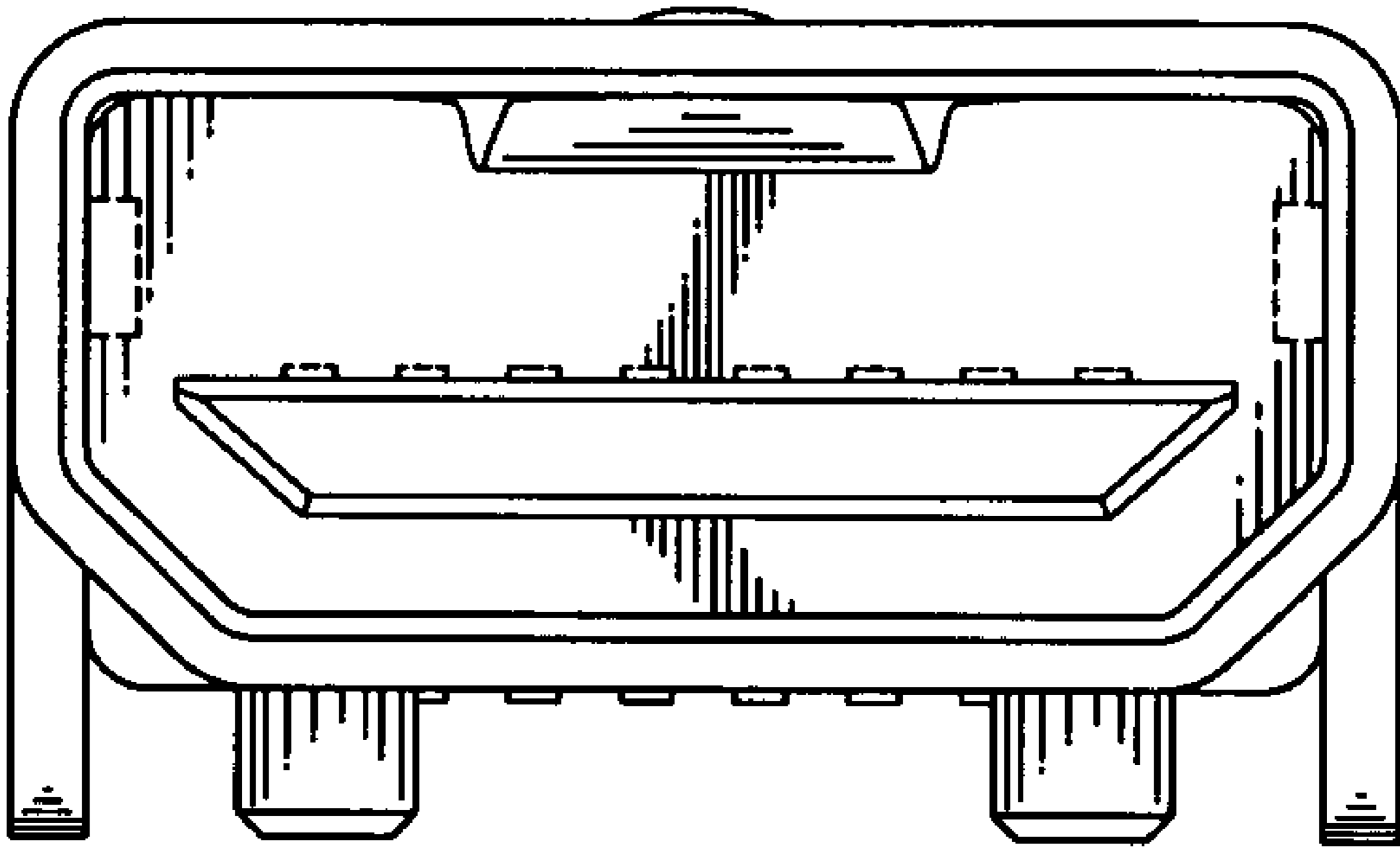


FIG. 2

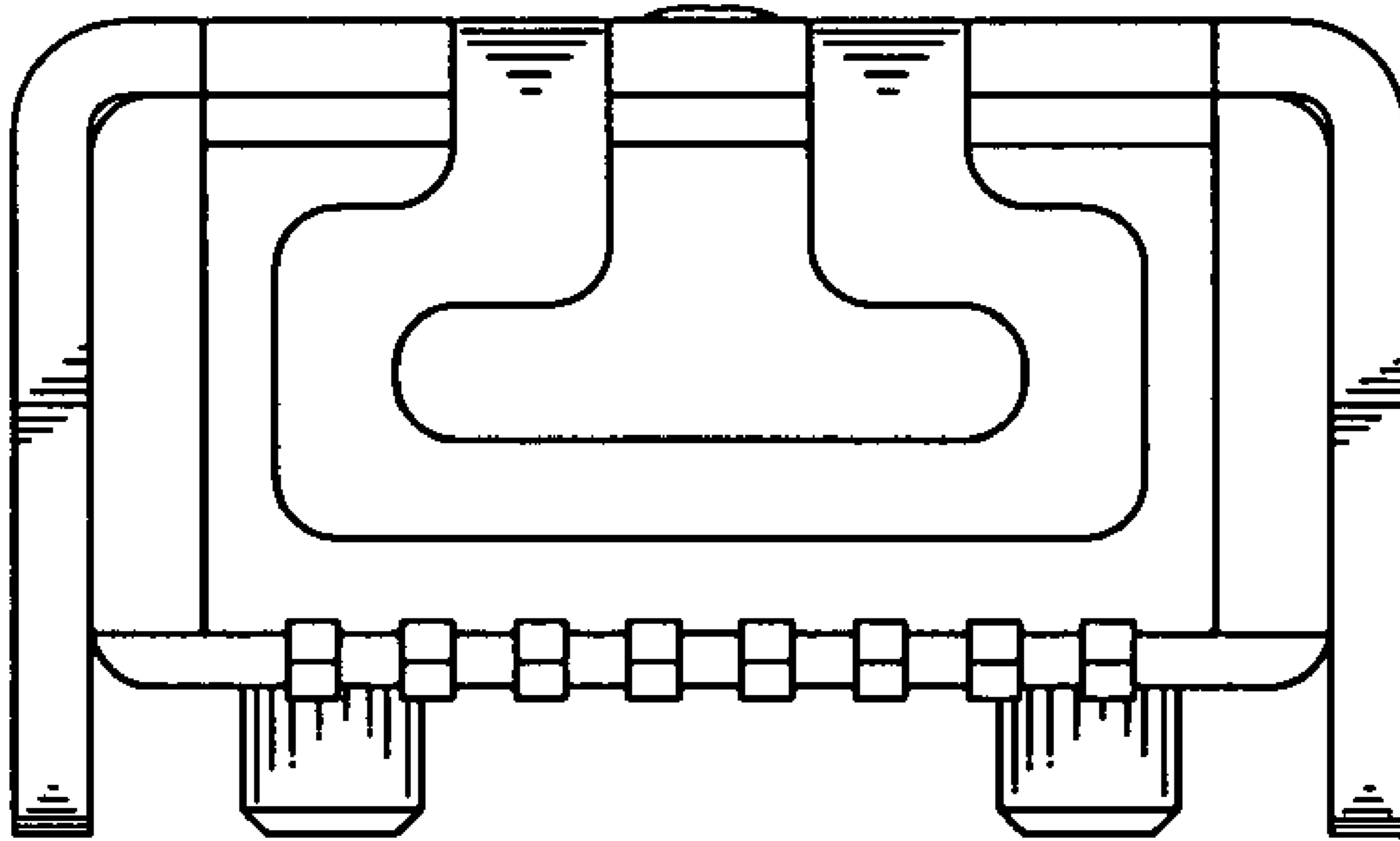


FIG. 3

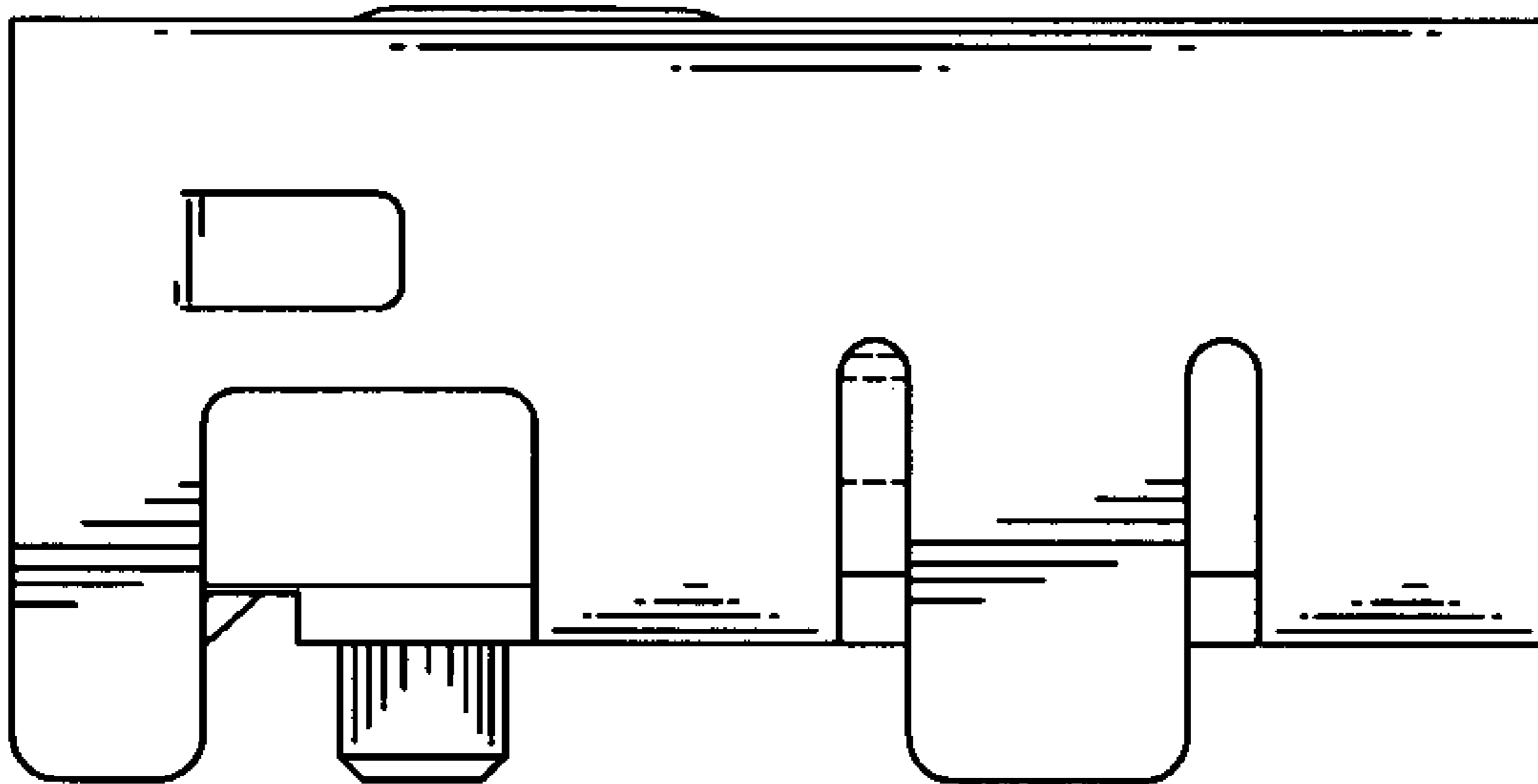


FIG. 4

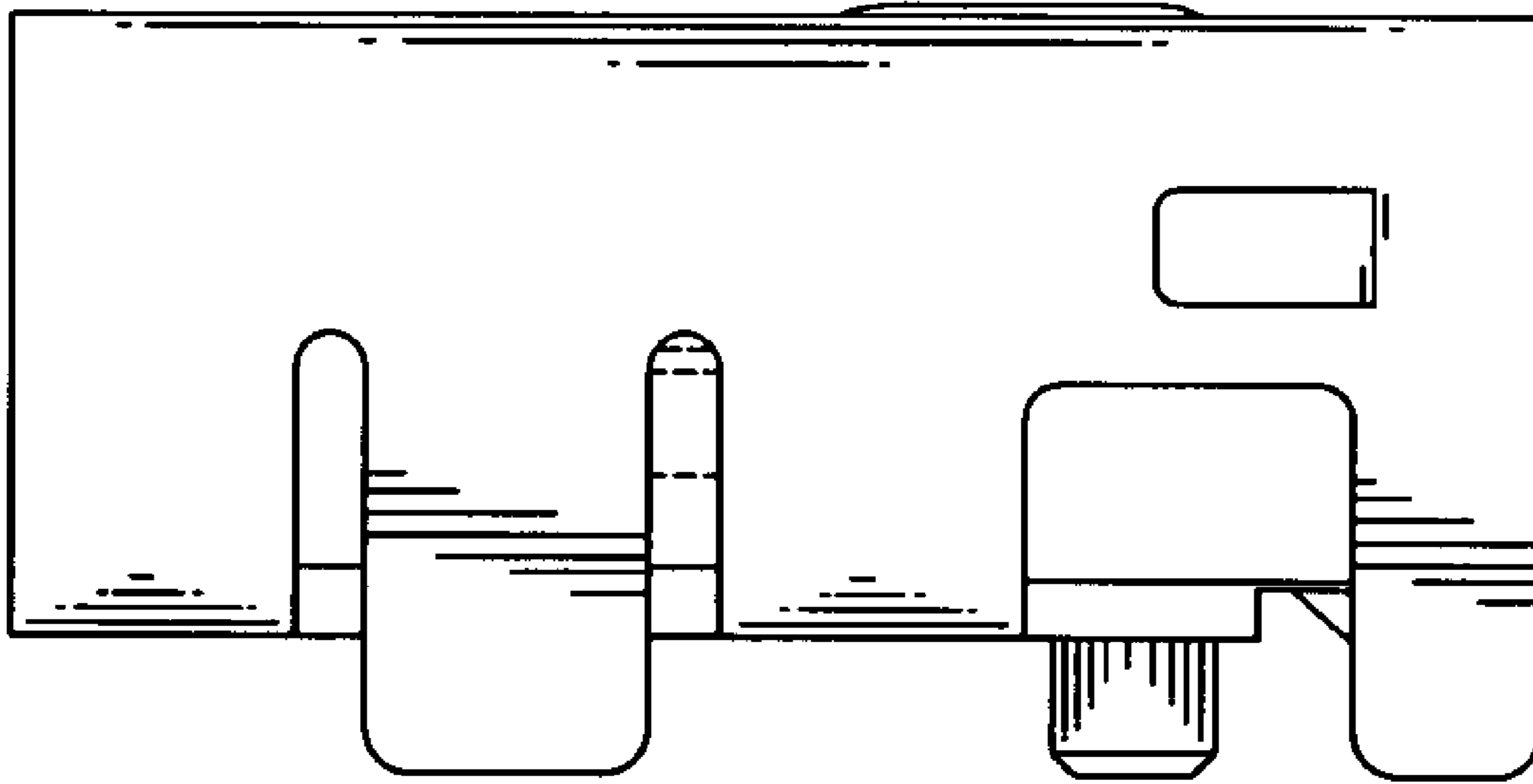


FIG. 5

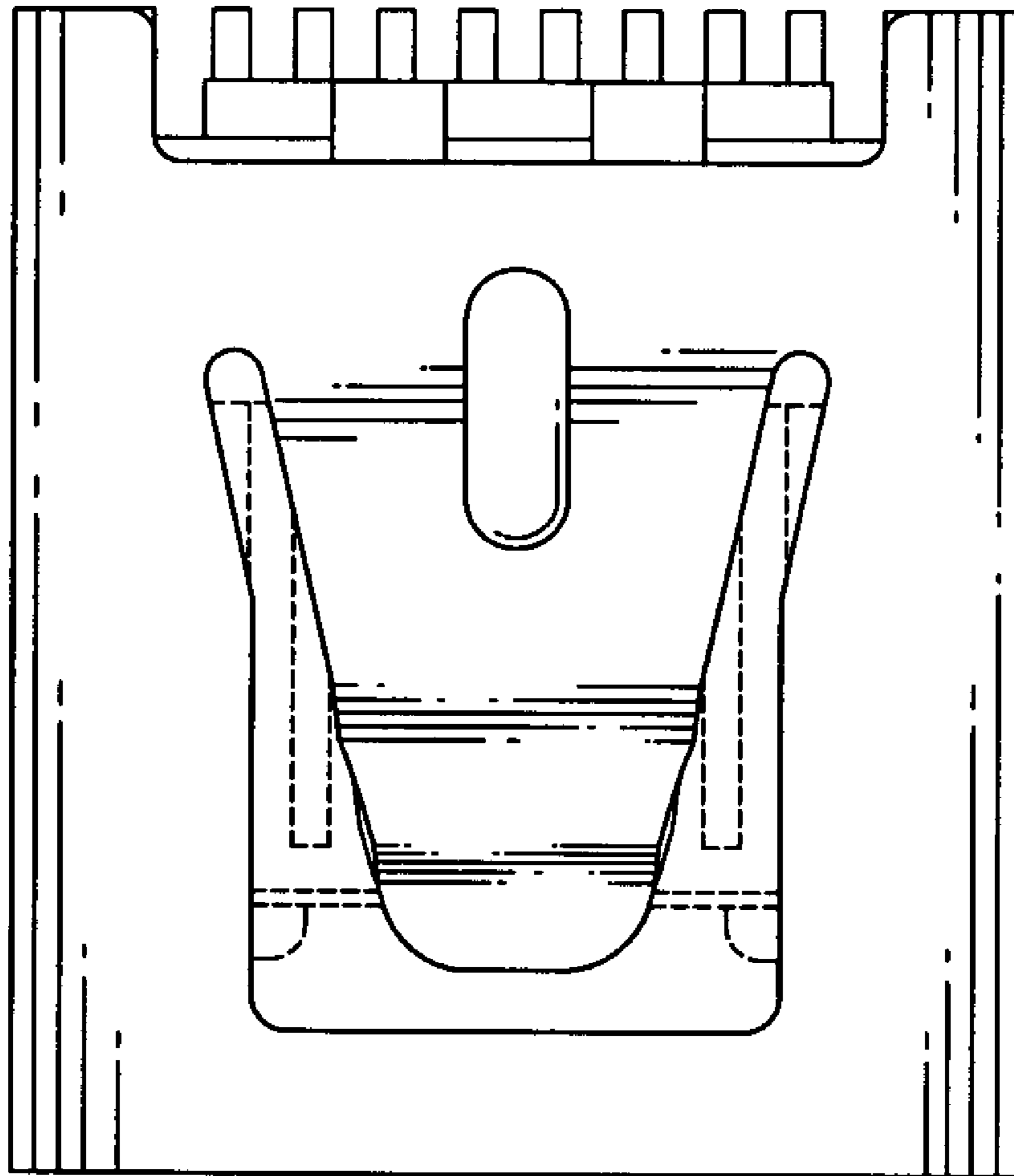


FIG. 6

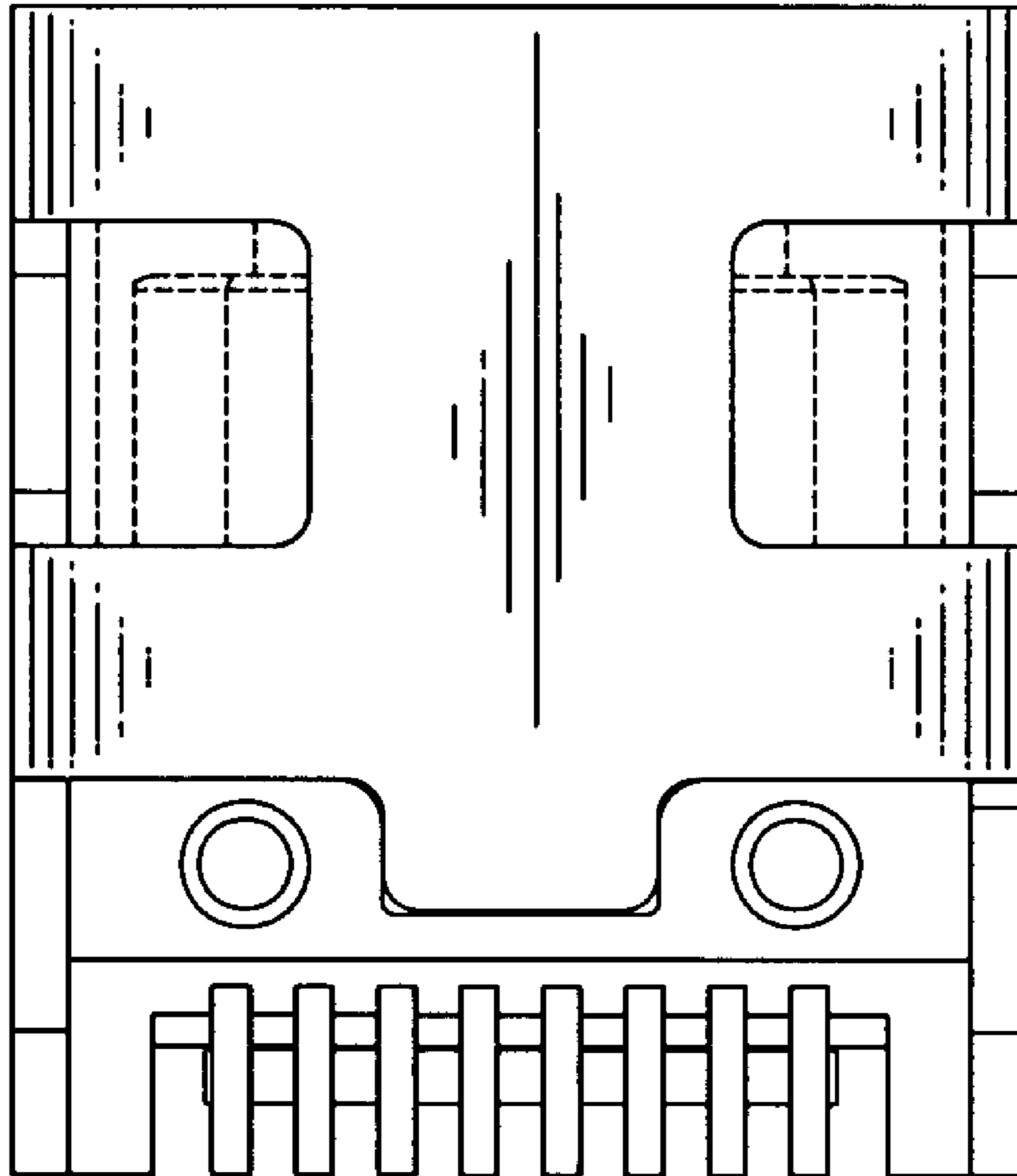


FIG. 7



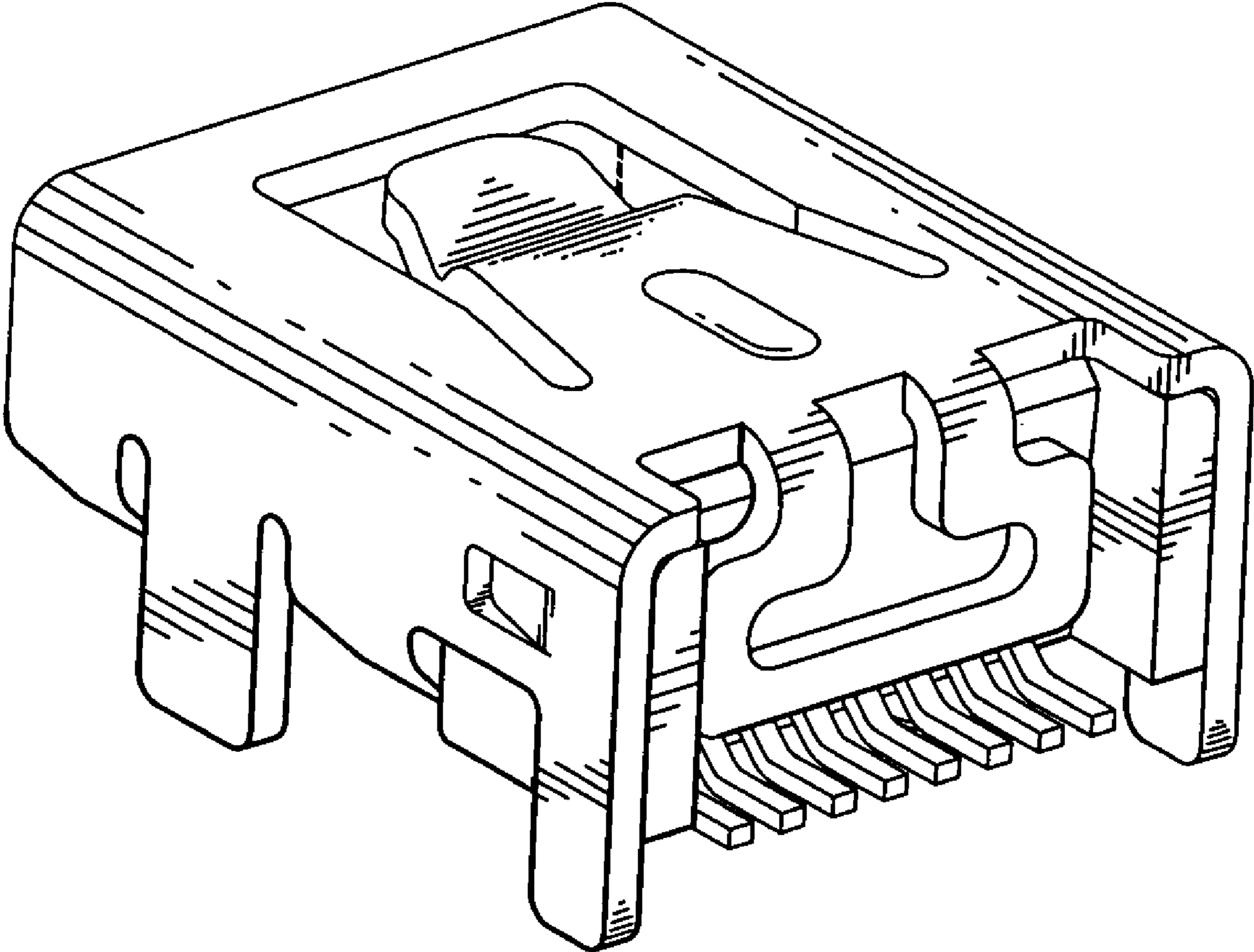


FIG. 8