



US00D599293S

(12) **United States Design Patent**
Yuan et al.

(10) **Patent No.:** **US D599,293 S**
(45) **Date of Patent:** **** Sep. 1, 2009**

(54) **CONNECTOR**

(75) Inventors: **Sheng Tsung Yuan**, Tu-Cheng (TW);
Yung Chi Peng, Tu-Cheng (TW)

(73) Assignee: **Cheng Uei Precision Industry Co., Ltd.**, Taipei Hsien (TW)

(**) Term: **14 Years**

(21) Appl. No.: **29/309,269**

(22) Filed: **Jul. 17, 2008**

(51) **LOC (9) Cl.** **13-03**

(52) **U.S. Cl.** **D13/147**

(58) **Field of Classification Search** D13/147,
D13/154, 184; 439/108, 540.1, 541.5, 607-610
See application file for complete search history.

(56) **References Cited**

U.S. PATENT DOCUMENTS

- D555,102 S * 11/2007 Xiao et al. D13/147
- D569,806 S * 5/2008 Zheng et al. D13/147
- D580,361 S * 11/2008 Zheng et al. D13/147

* cited by examiner

Primary Examiner—Daniel D Bui

(74) *Attorney, Agent, or Firm*—Rosenberg, Klein & Lee

(57) **CLAIM**

The ornamental design for a connector, as shown and described.

DESCRIPTION

FIG. 1 is a perspective view of a connector showing our new design;

FIG. 2 is a front elevational view thereof;

FIG. 3 is a rear elevational view thereof;

FIG. 4 is a left side elevational view thereof;

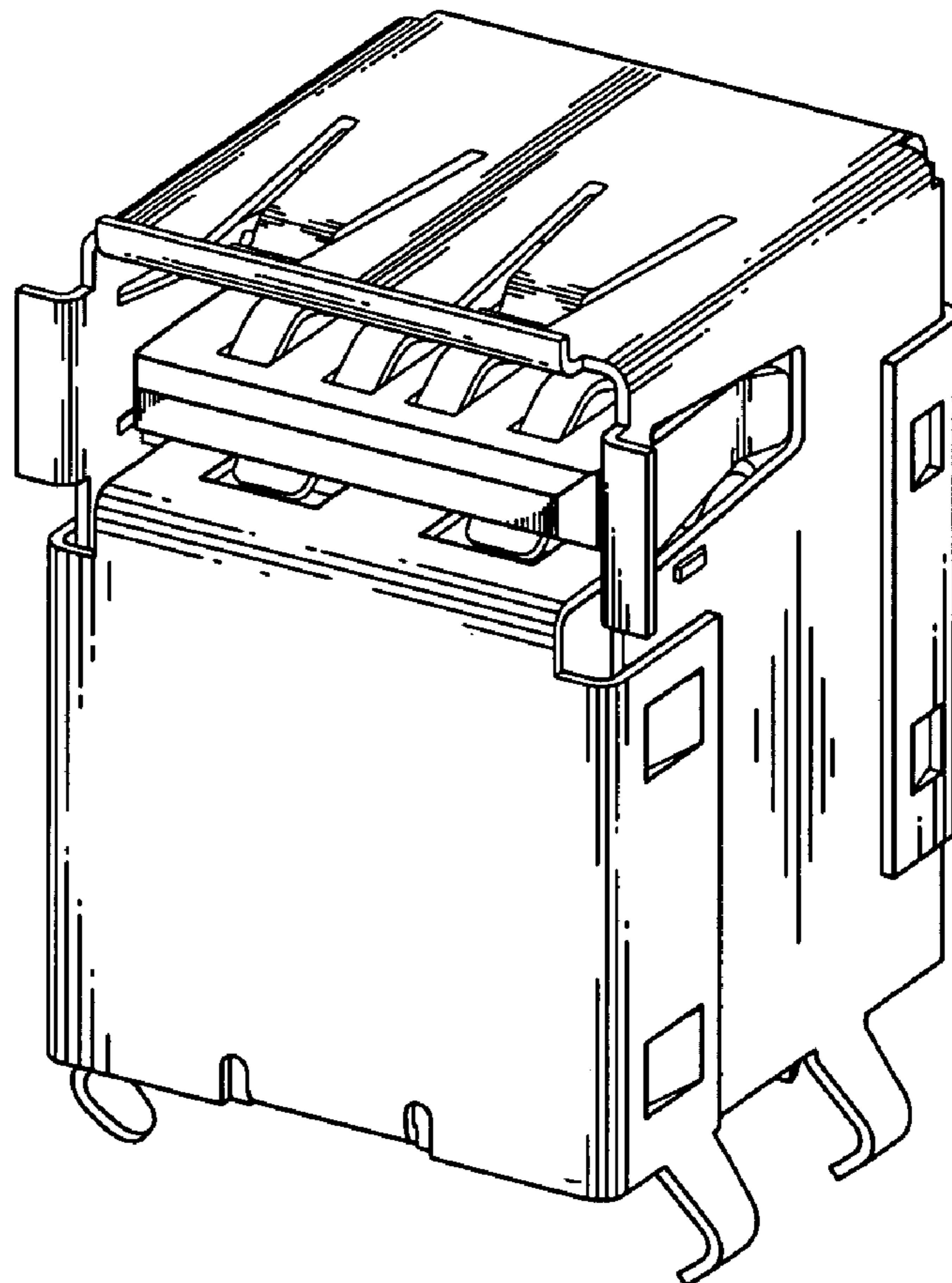
FIG. 5 is a right side elevational view thereof;

FIG. 6 is a top plan view thereof; and,

FIG. 7 is a bottom plan view thereof.

The broken line of unclaimed subject matter in FIG. 7 is included for illustrative purposes only and forms no part of the claimed design.

1 Claim, 7 Drawing Sheets



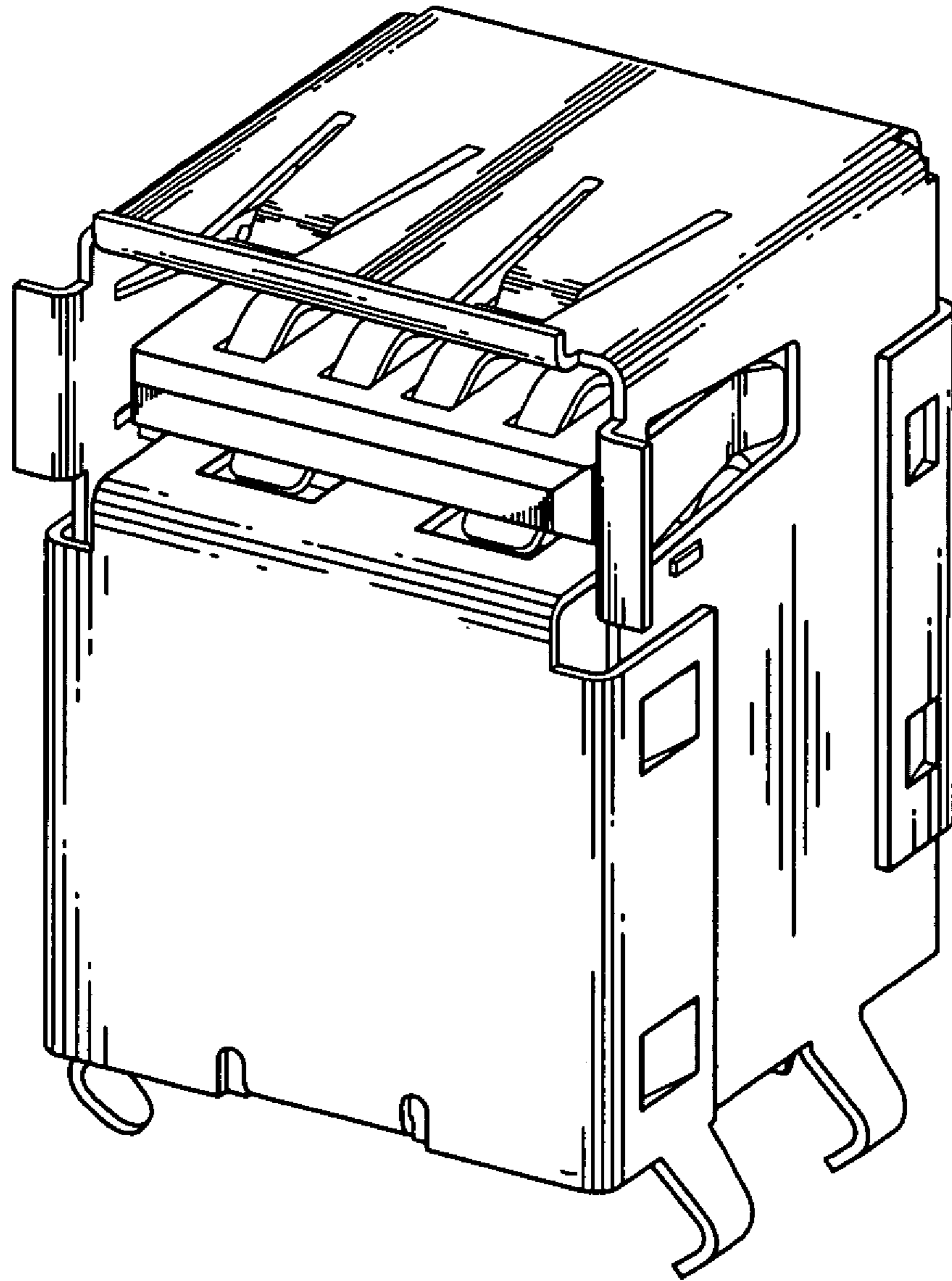


FIG. 1

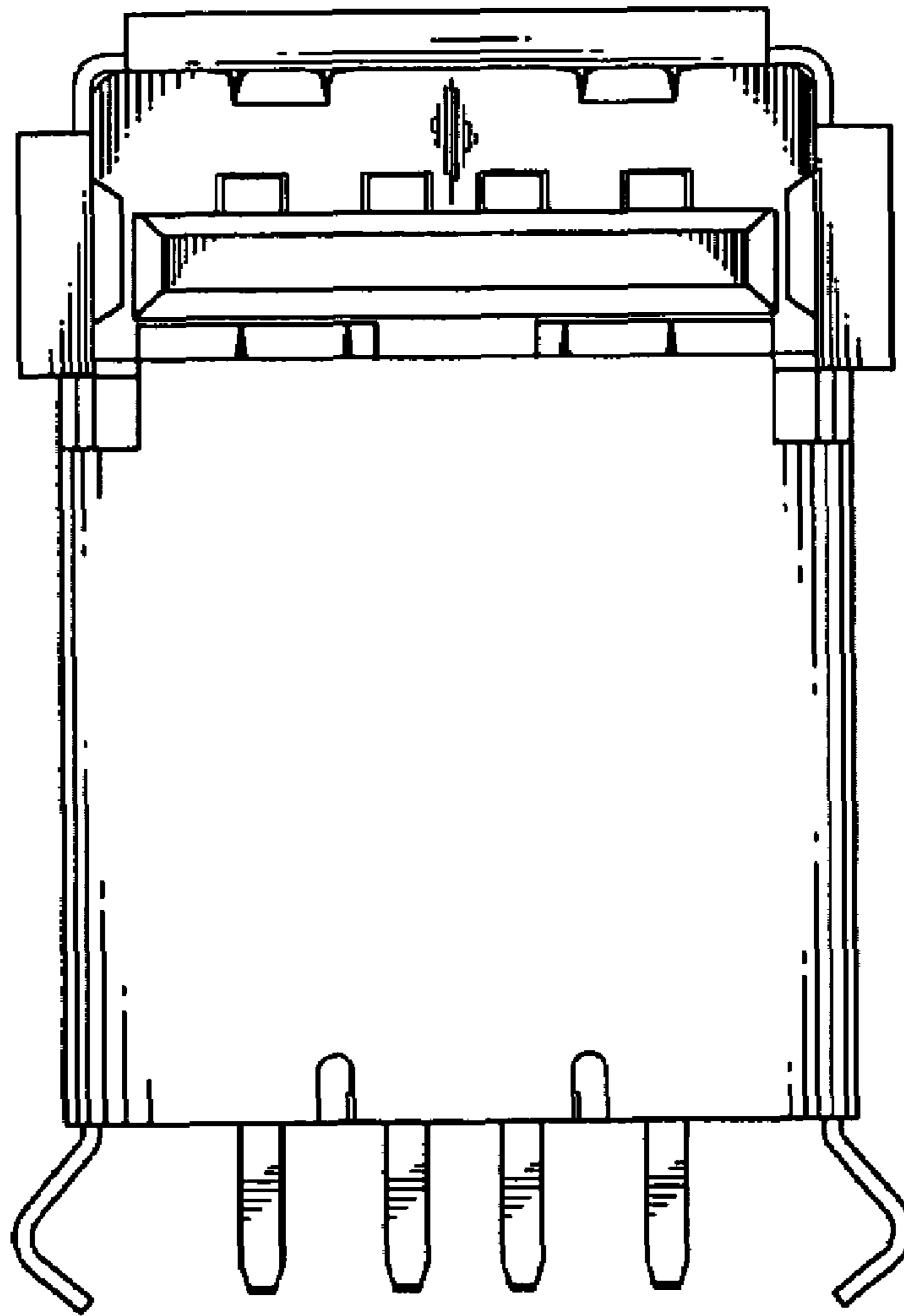


FIG. 2

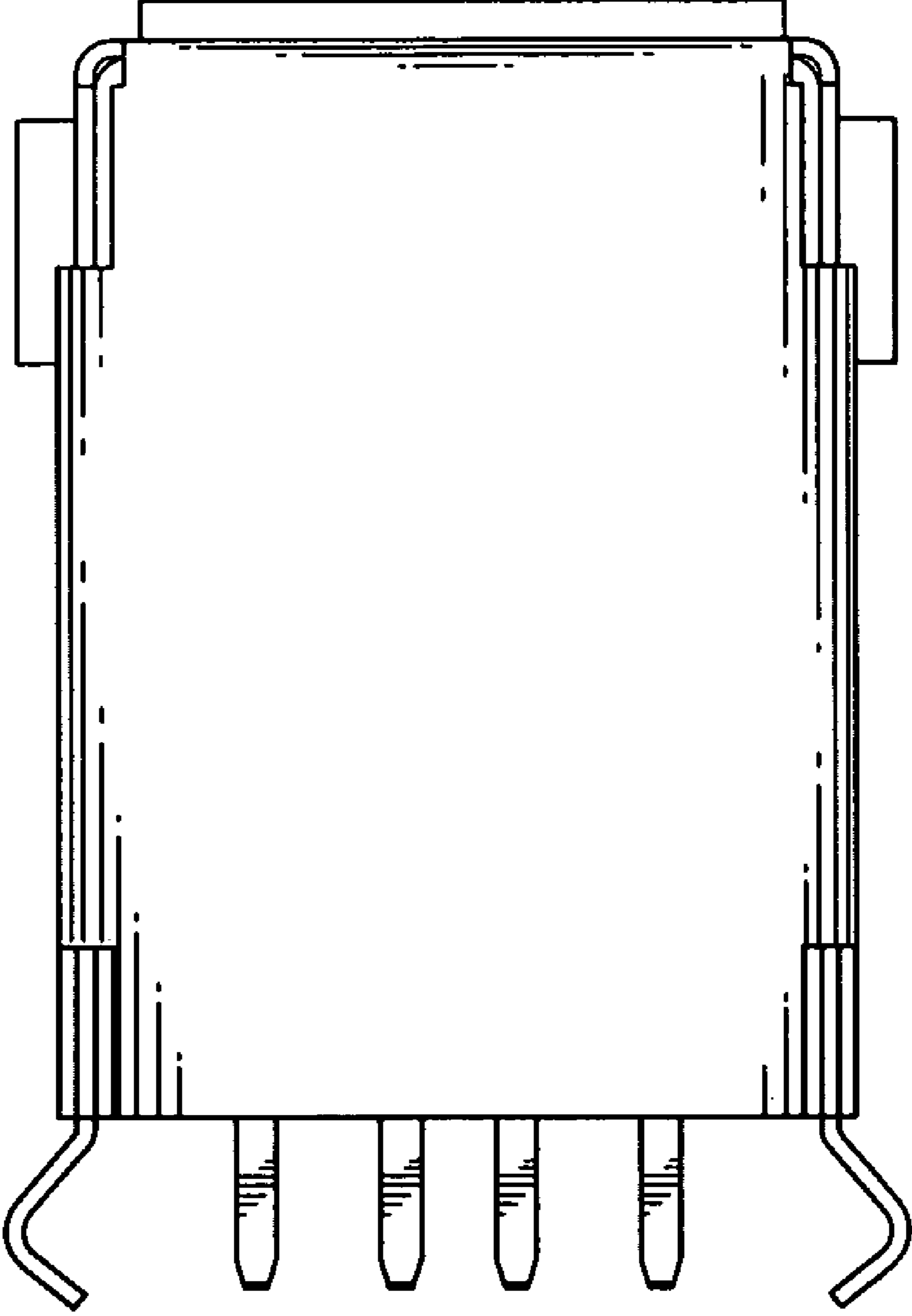


FIG. 3

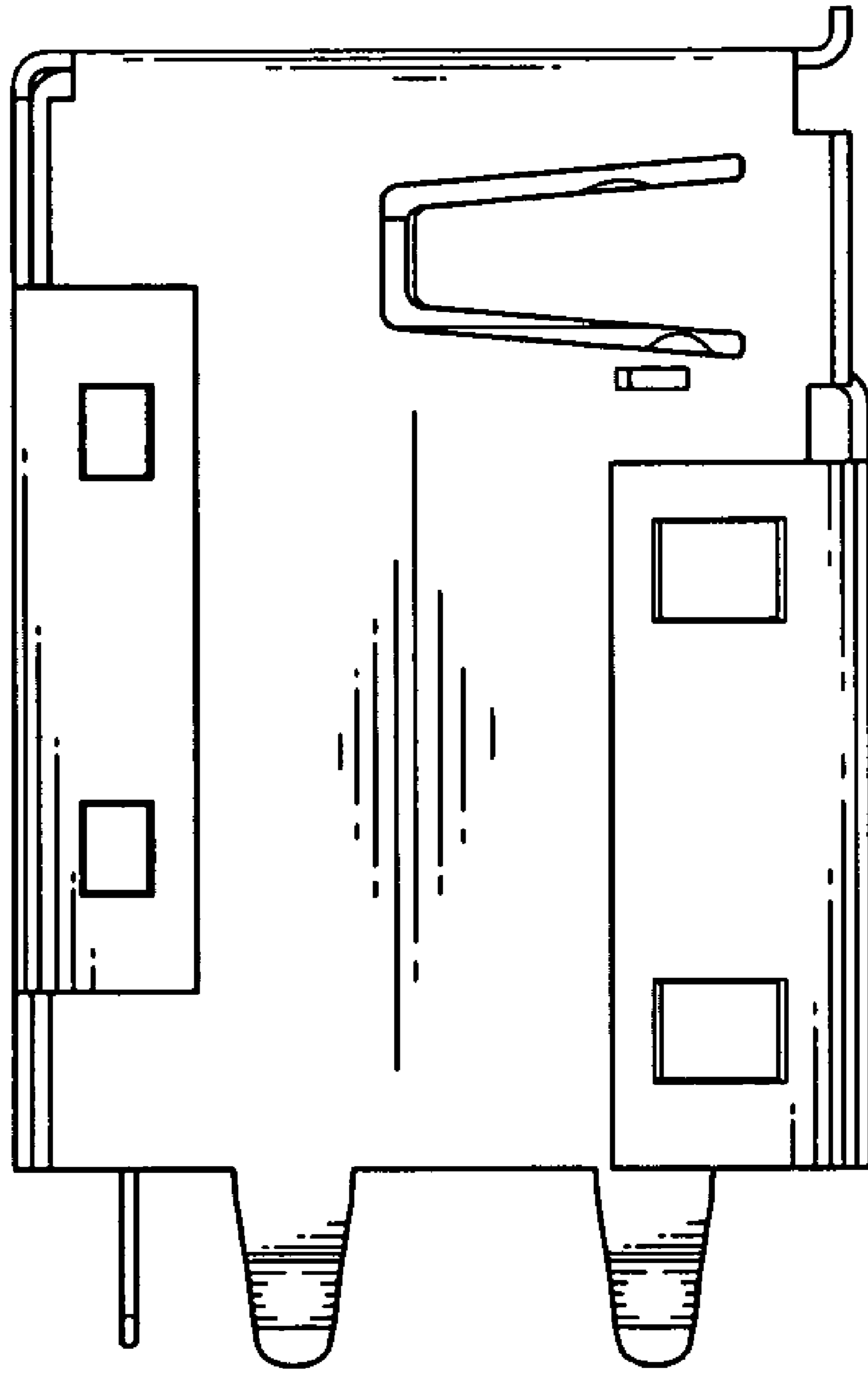


FIG. 4

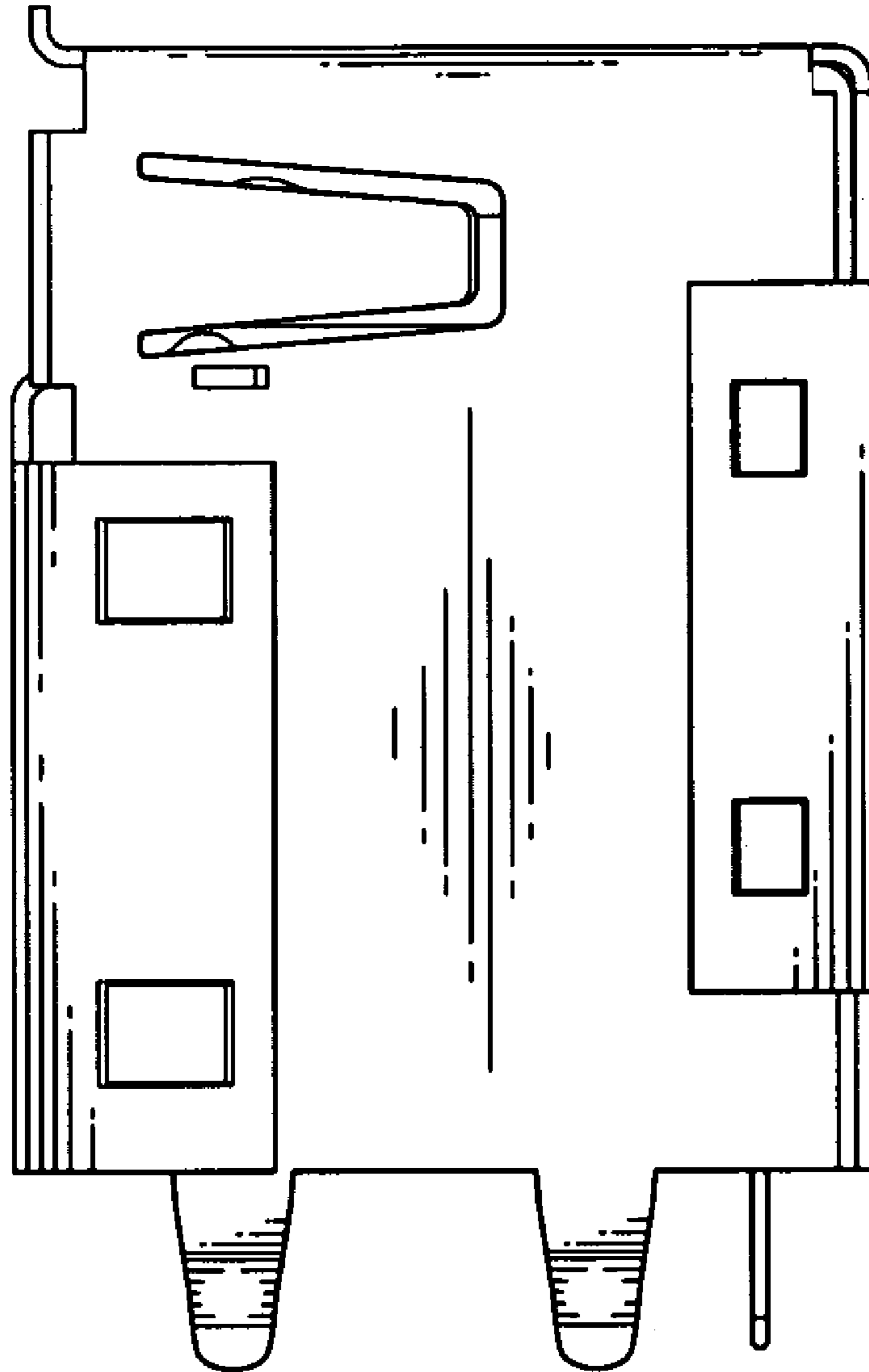


FIG. 5

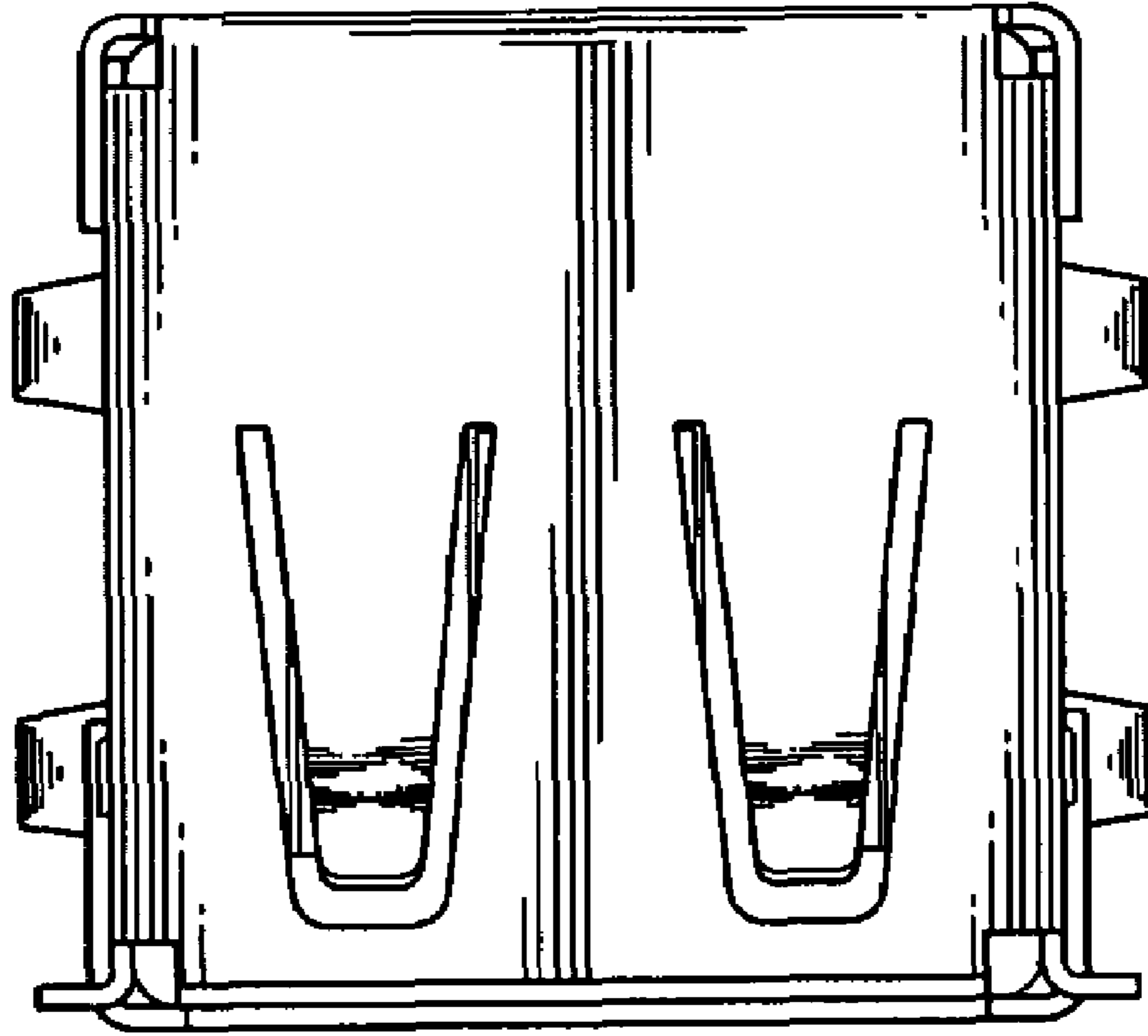


FIG. 6

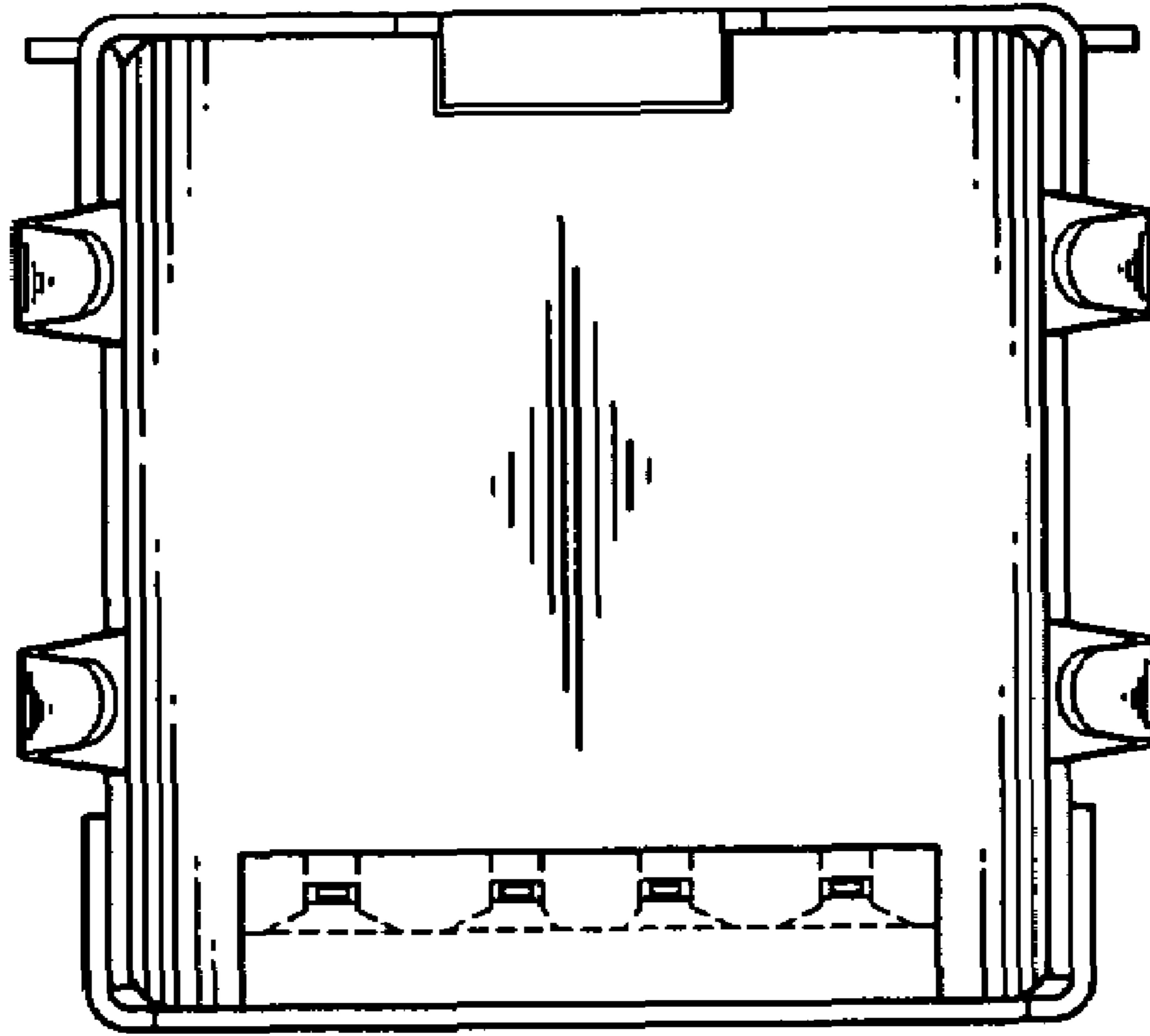


FIG. 7