



US00D599292S

(12) **United States Design Patent**
Su et al.

(10) **Patent No.:** **US D599,292 S**

(45) **Date of Patent:** **** Sep. 1, 2009**

(54) **AUDIO JACK CONNECTOR**

(75) Inventors: **Yu Hung Su**, Tu-Cheng (TW); **Yao Ting Wang**, Tu-Cheng (TW)

(73) Assignee: **Cheng Uei Precision Industry Co., Ltd.**, Taipei Hsien (TW)

(**) Term: **14 Years**

(21) Appl. No.: **29/300,260**

(22) Filed: **Mar. 6, 2008**

(51) **LOC (9) Cl.** **13-03**

(52) **U.S. Cl.** **D13/147; D13/133**

(58) **Field of Classification Search** D13/133,
D13/146, 147, 154, 184; 439/607-610, 660,
439/668, 892, 894

See application file for complete search history.

(56) **References Cited**

U.S. PATENT DOCUMENTS

D470,107 S *	2/2003	Li et al.	D13/133
D507,531 S *	7/2005	Suzuki	D13/133
D552,032 S *	10/2007	Peng	D13/133
D555,098 S *	11/2007	Wu et al.	D13/133
D575,232 S *	8/2008	Chiang et al.	D13/133
D576,551 S *	9/2008	Chien et al.	D13/133

* cited by examiner

Primary Examiner—Daniel D Bui

(74) *Attorney, Agent, or Firm*—Rosenberg, Klein & Lee

(57) **CLAIM**

The ornamental design for an audio jack connector, as shown and described.

DESCRIPTION

FIG. 1 is a perspective view of an audio jack connector showing our new design;

FIG. 2 is a front elevational view thereof;

FIG. 3 is a rear elevational view thereof;

FIG. 4 is a left side elevational view thereof;

FIG. 5 is a right side elevational view thereof;

FIG. 6 is a top plan view thereof;

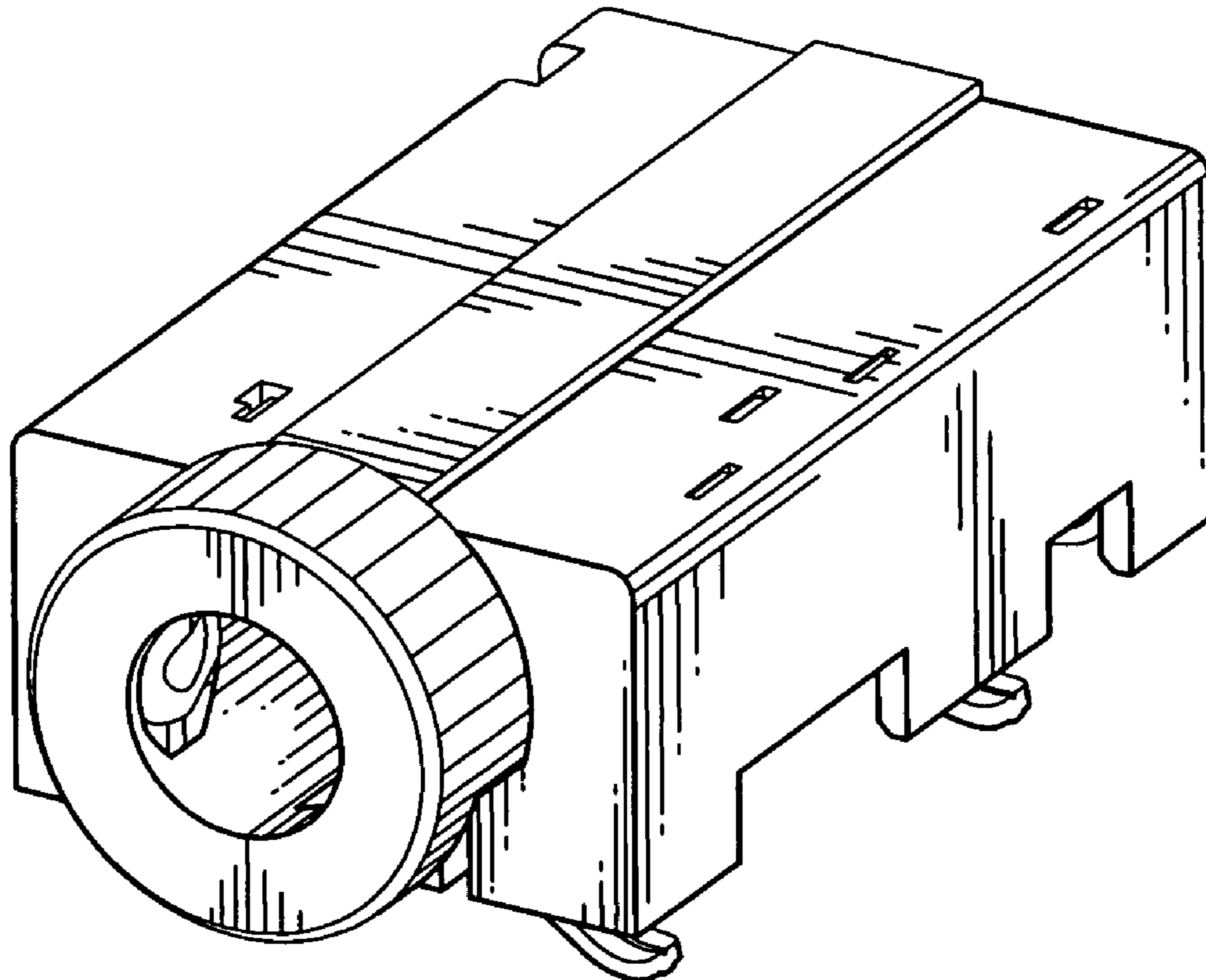
FIG. 7 is a bottom plan view thereof;

FIG. 8 is another perspective view of the audio jack connector showing our new design; and,

FIG. 9 is a third perspective view of the audio jack connector showing our new design.

The broken line portion of the figure drawings is included to show unclaimed subject matter only and forms no part of the claimed design.

1 Claim, 9 Drawing Sheets



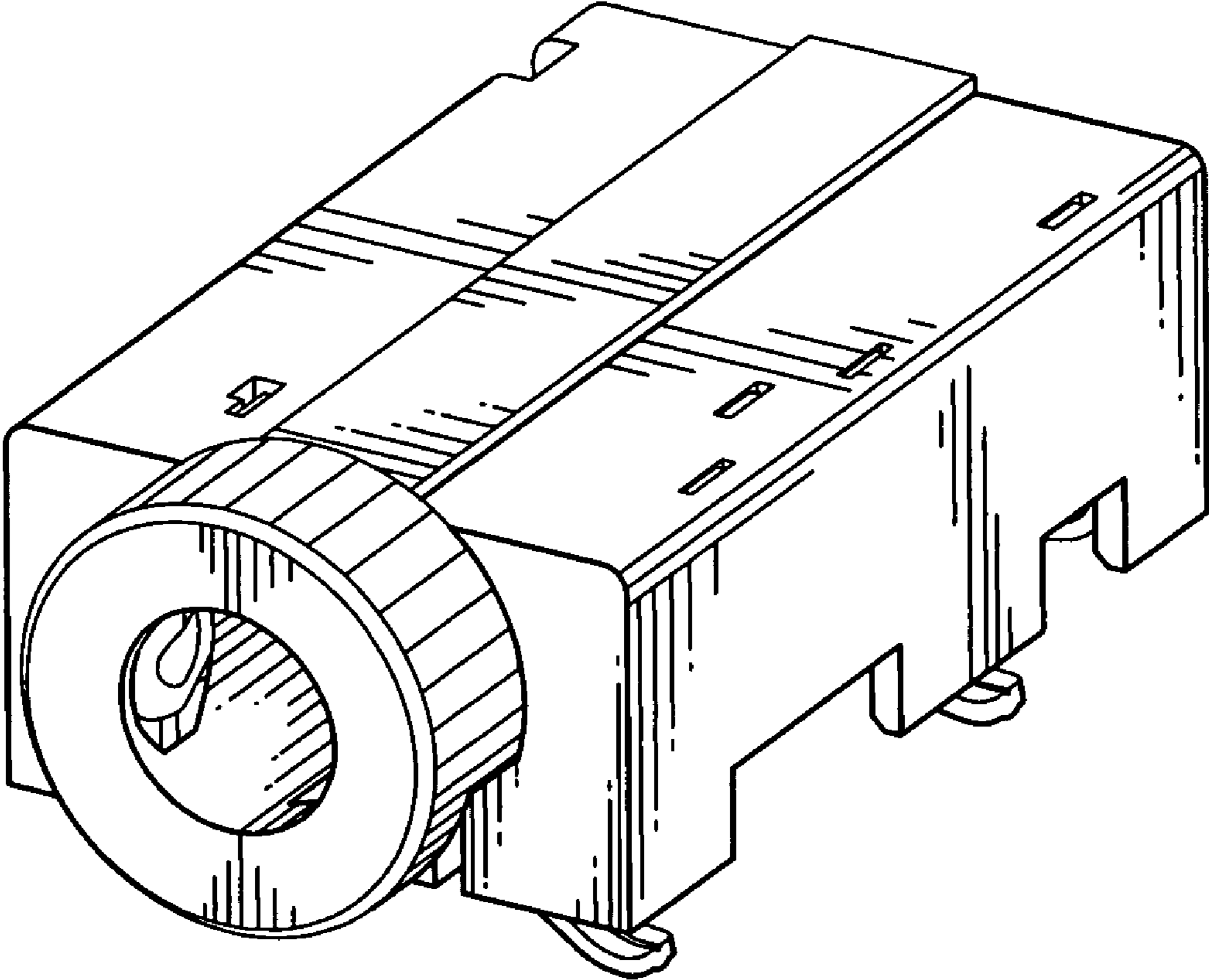


FIG. 1

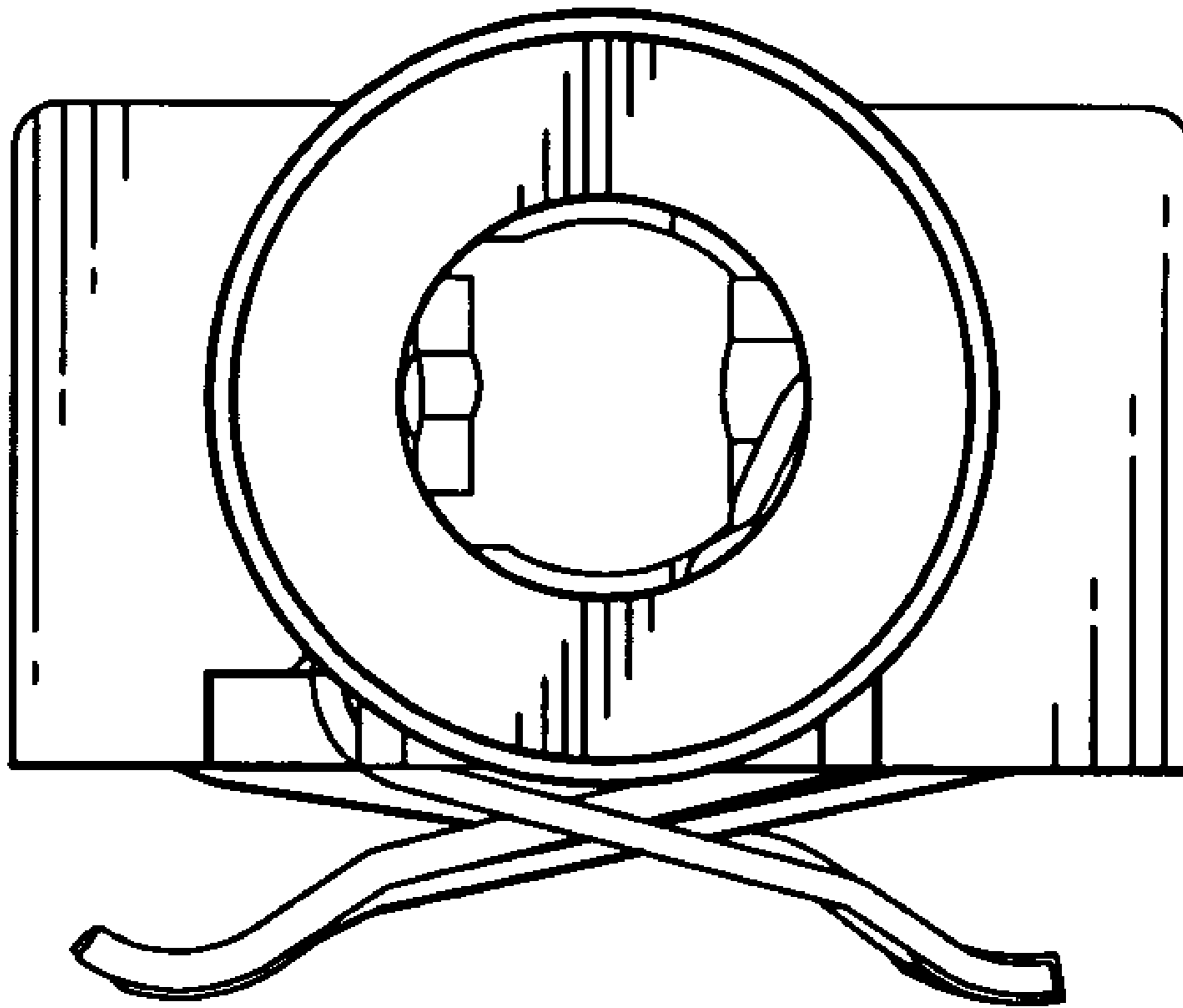


FIG. 2

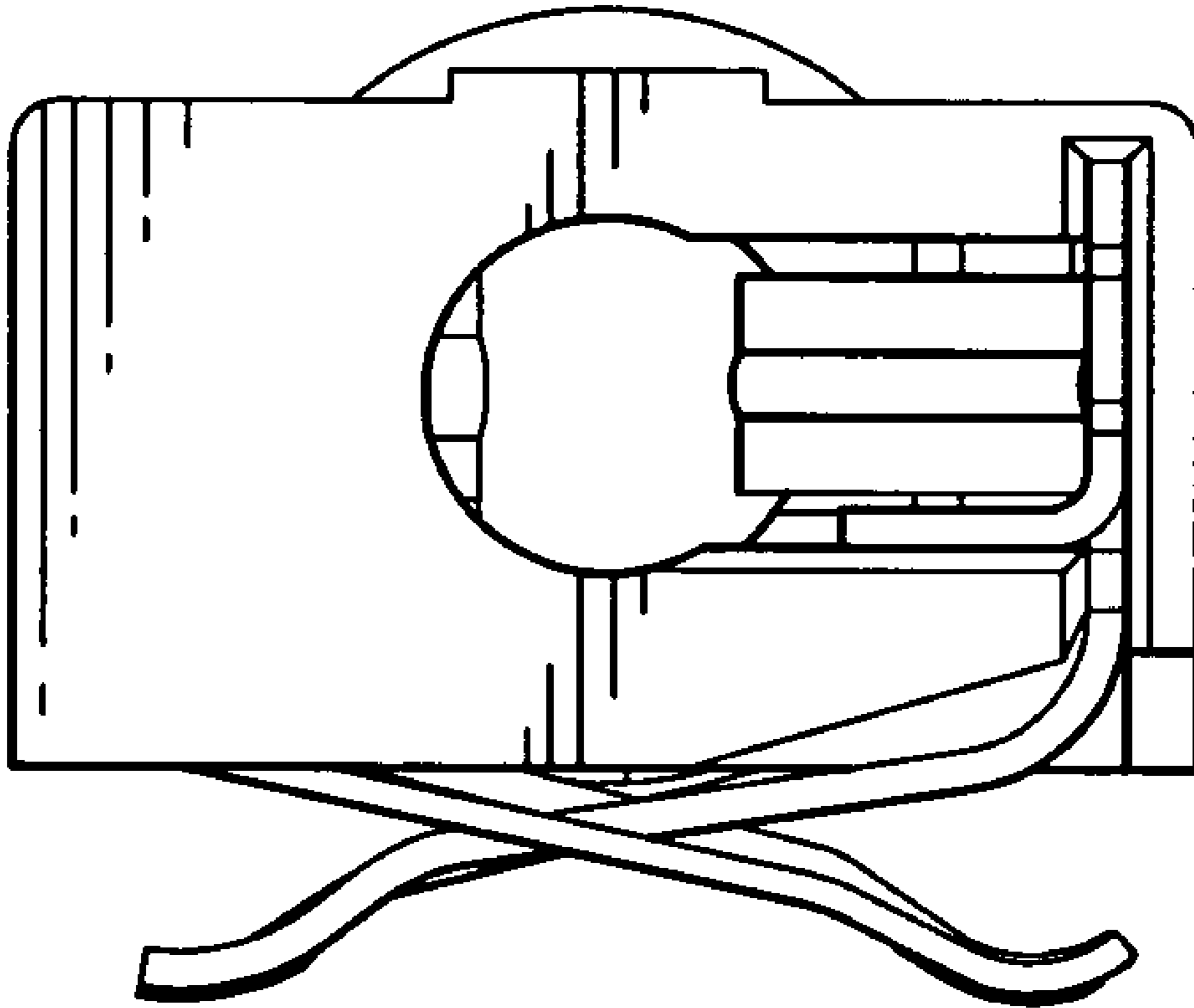


FIG. 3

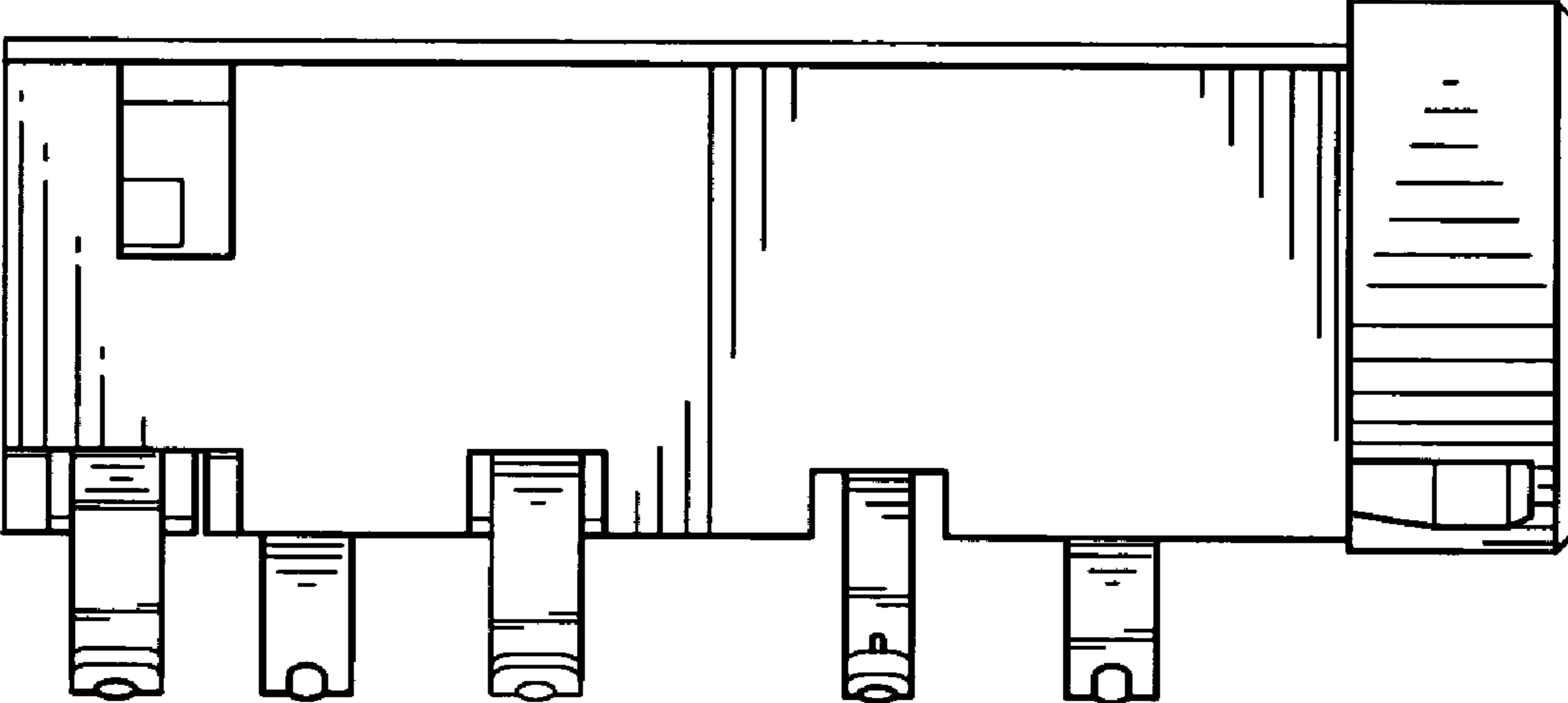


FIG. 4

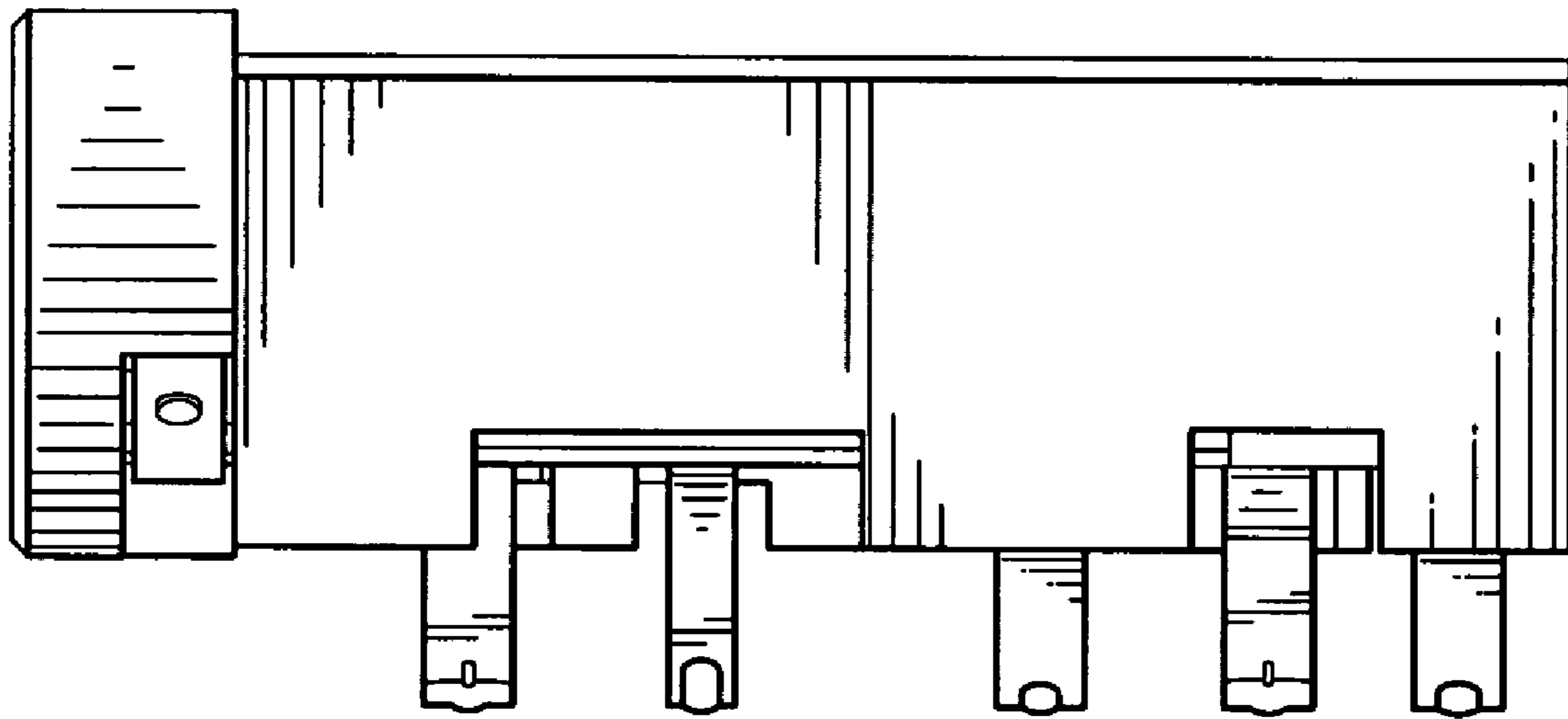


FIG. 5

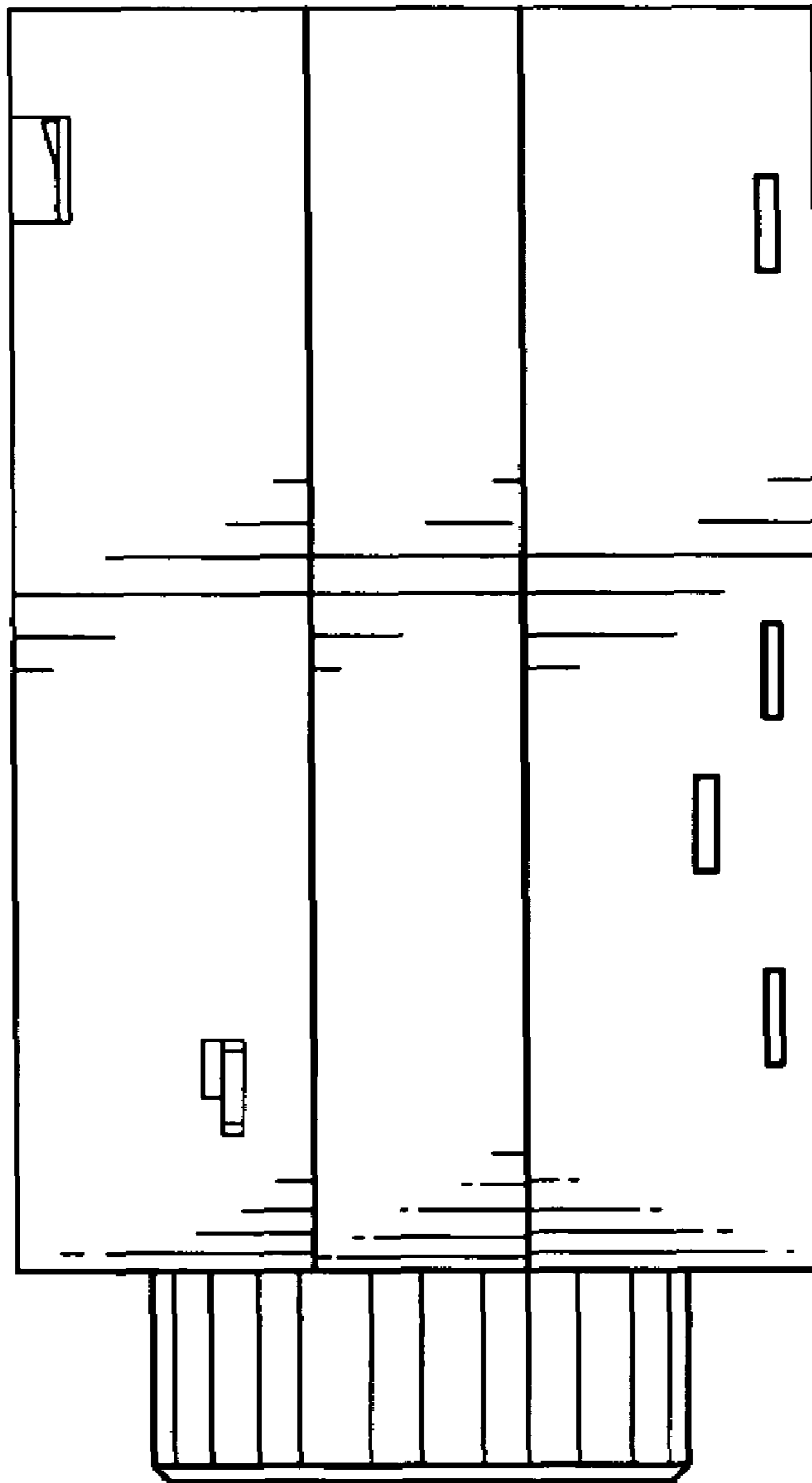


FIG. 6

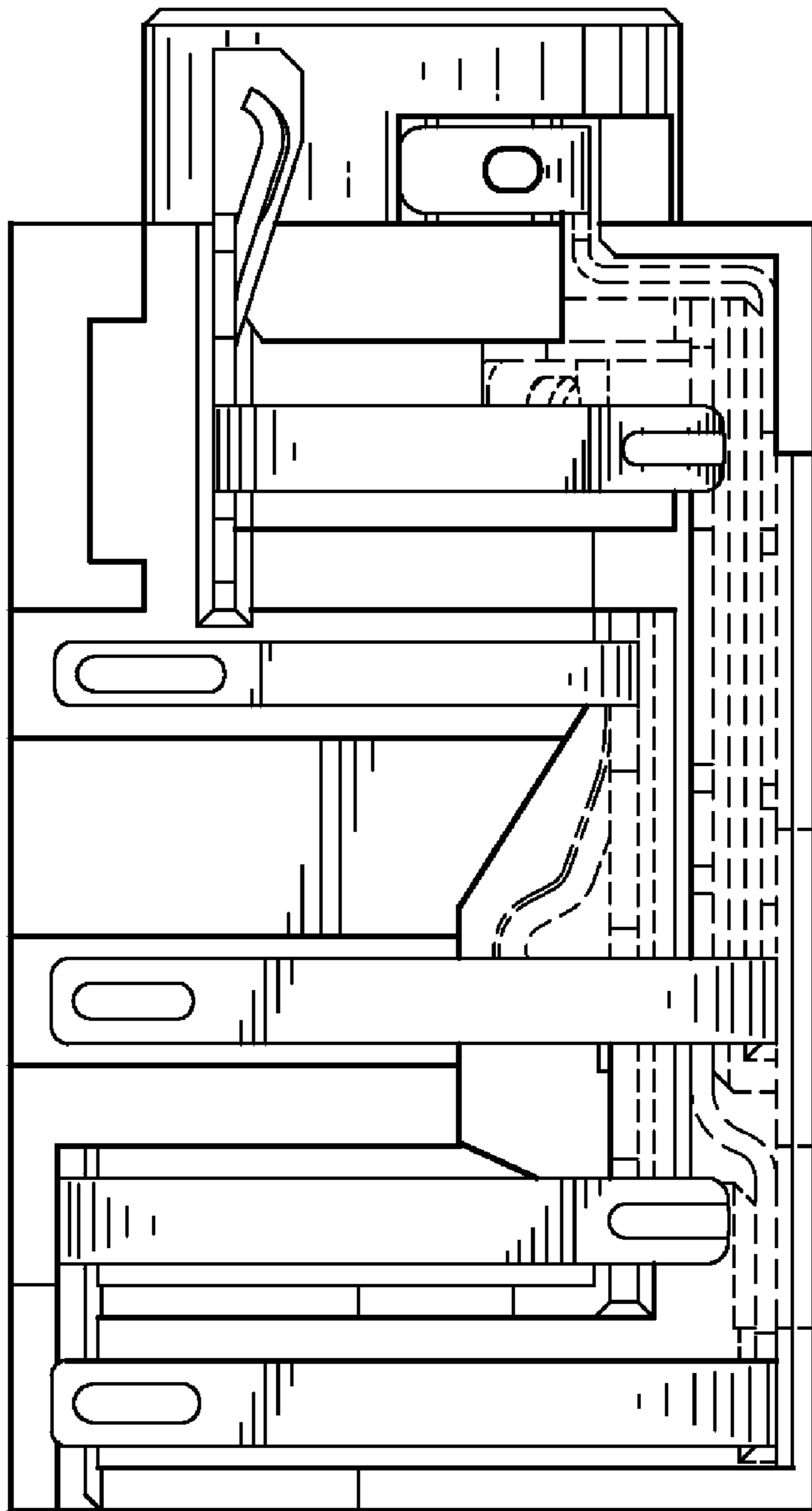


FIG. 7

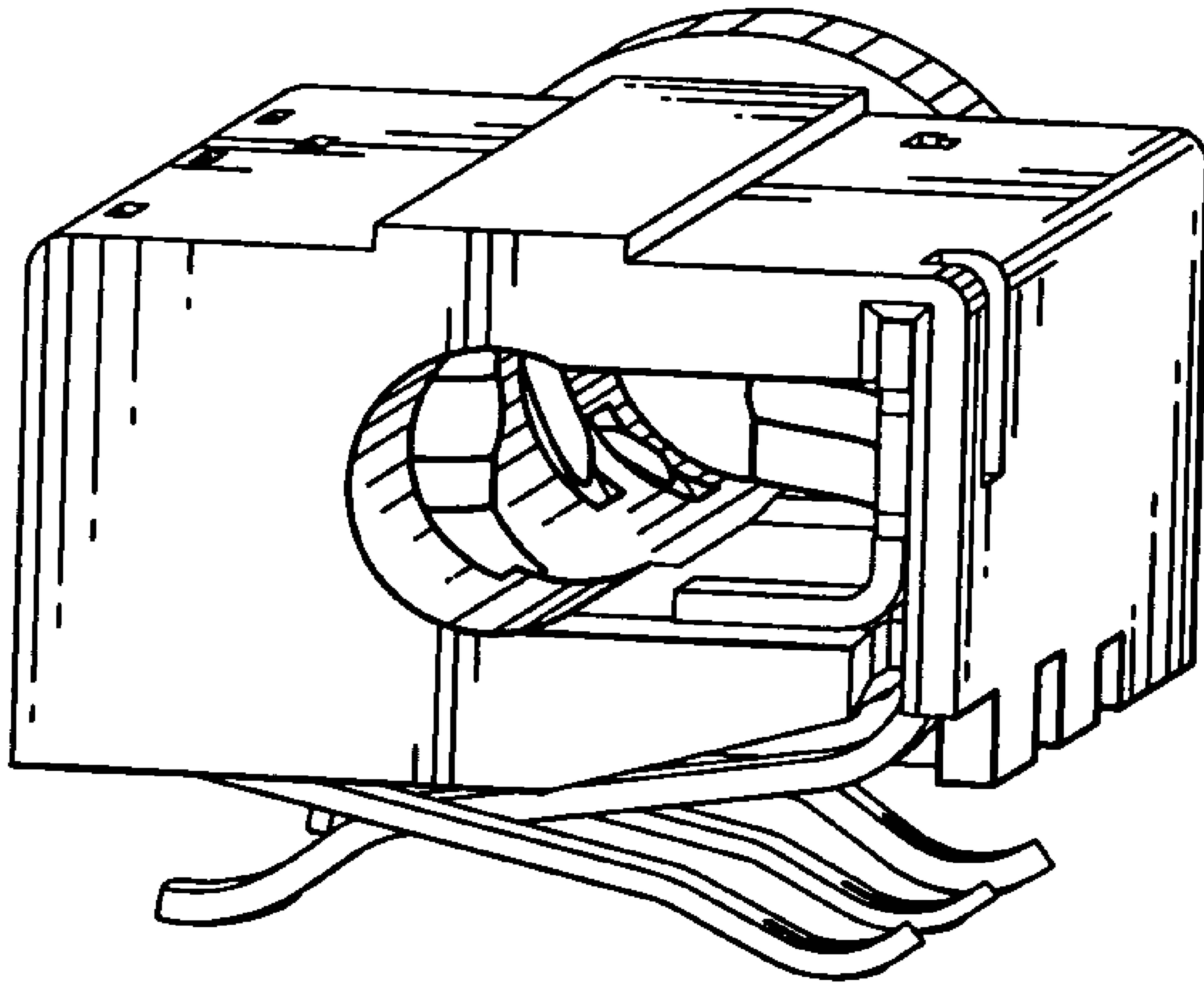


FIG. 8

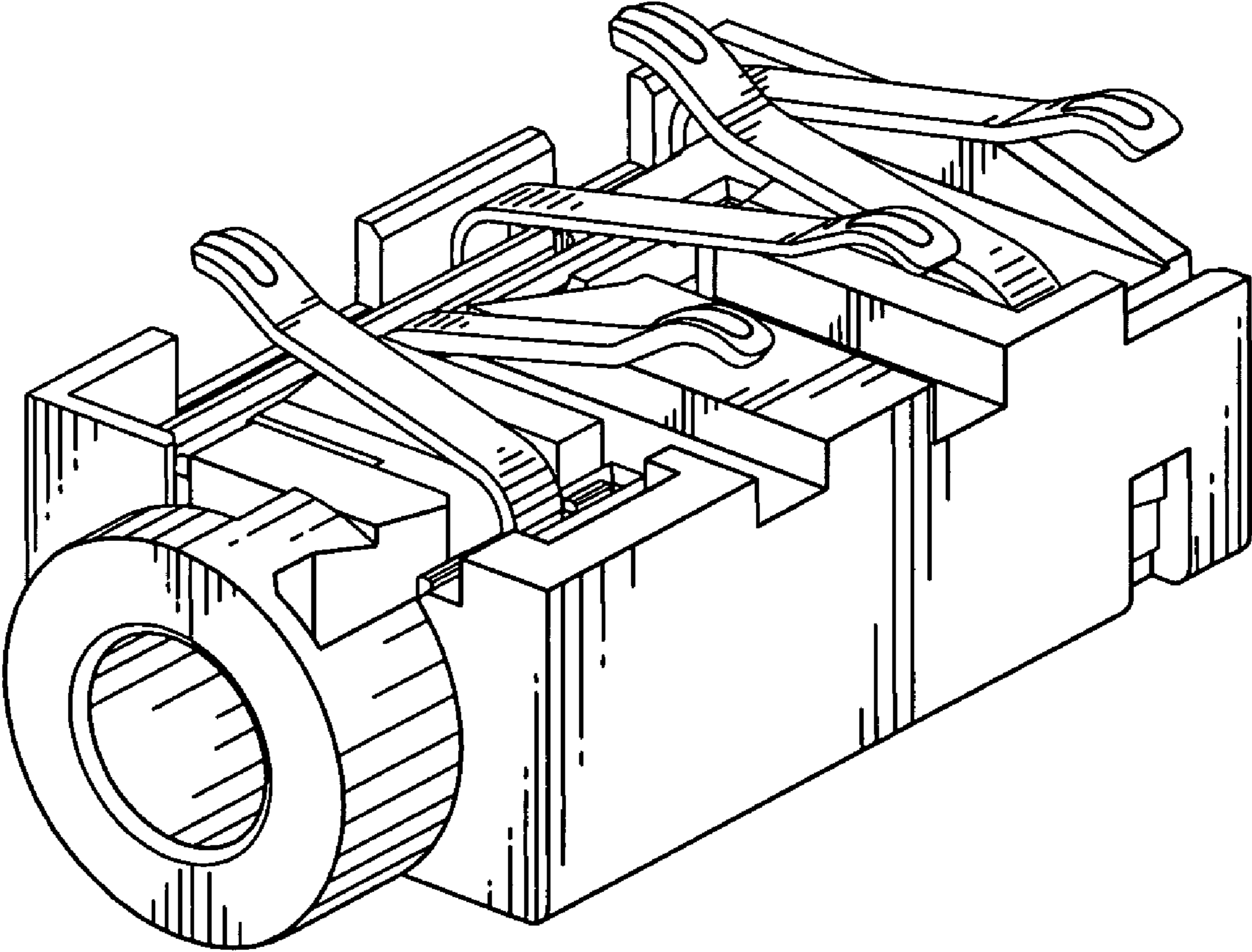


FIG. 9