



US00D599291S

(12) **United States Design Patent**
So

(10) **Patent No.:** **US D599,291 S**

(45) **Date of Patent:** **** *Sep. 1, 2009**

(54) **TERMINAL CONNECTOR**

(75) Inventor: **Shun Tong So**, Hong Kong (CN)

(73) Assignee: **Morning Star Industrial Company Limited**, Kwun Tong (HK)

(*) Notice: This patent is subject to a terminal disclaimer.

(**) Term: **14 Years**

(21) Appl. No.: **29/265,278**

(22) Filed: **Aug. 29, 2006**

(51) **LOC (9) Cl.** **13-03**

(52) **U.S. Cl.** **D13/147**

(58) **Field of Classification Search** D13/133,
D13/147, 154, 184, 199; D14/140, 217,
D14/240, 256, 299, 356; 439/344, 538, 535-536,
439/540.1, 571, 573, 638, 650, 676
See application file for complete search history.

(56) **References Cited**

U.S. PATENT DOCUMENTS

5,257,948 A * 11/1993 Peterson 439/571
D410,629 S * 6/1999 Bandura et al. D13/147
6,135,822 A * 10/2000 Hwang 439/680
D491,892 S * 6/2004 Moriwake et al. D13/147

D492,260 S * 6/2004 Spink, Jr. D13/147
D543,149 S * 5/2007 Huang et al. D13/147
2005/0059295 A1* 3/2005 Chen et al. 439/540.1

* cited by examiner

Primary Examiner—Daniel D Bui

(74) *Attorney, Agent, or Firm*—McDermott Will & Emery LLP

(57) **CLAIM**

The ornamental design for a terminal connector as shown and described.

DESCRIPTION

FIG. 1 is a front elevation view of a terminal connector showing my new design;

FIG. 2 is a rear elevation view thereof;

FIG. 3 is a side elevation view thereof;

FIG. 4 is another side elevation view thereof.

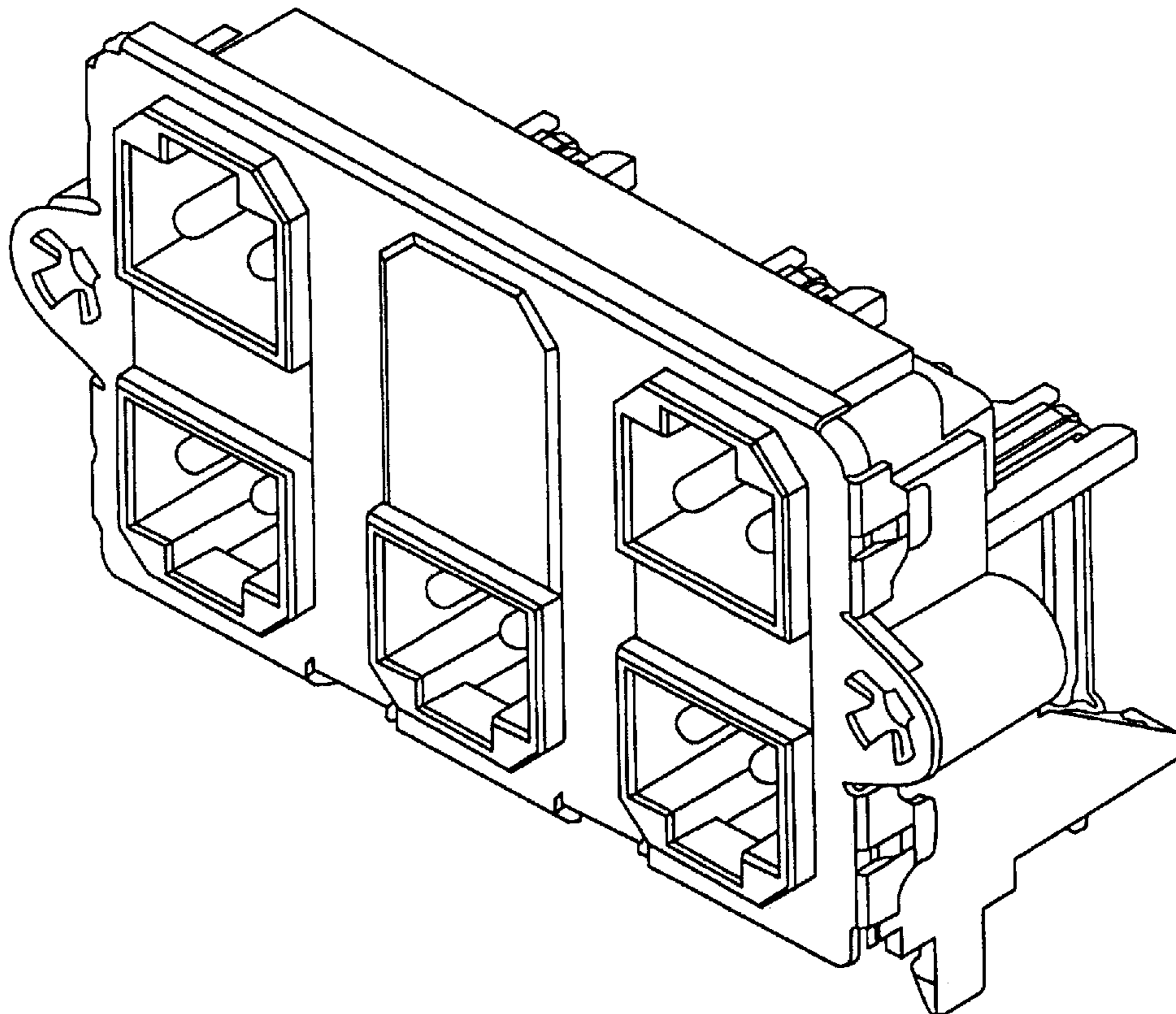
FIG. 5 is a top plan view thereof;

FIG. 6 is a bottom plan view thereof; and,

FIG. 7 is a front, top and side perspective view thereof.

The broken line portion in FIG. 2 is included to show unclaimed subject matter only and forms no part of the claimed design.

1 Claim, 7 Drawing Sheets



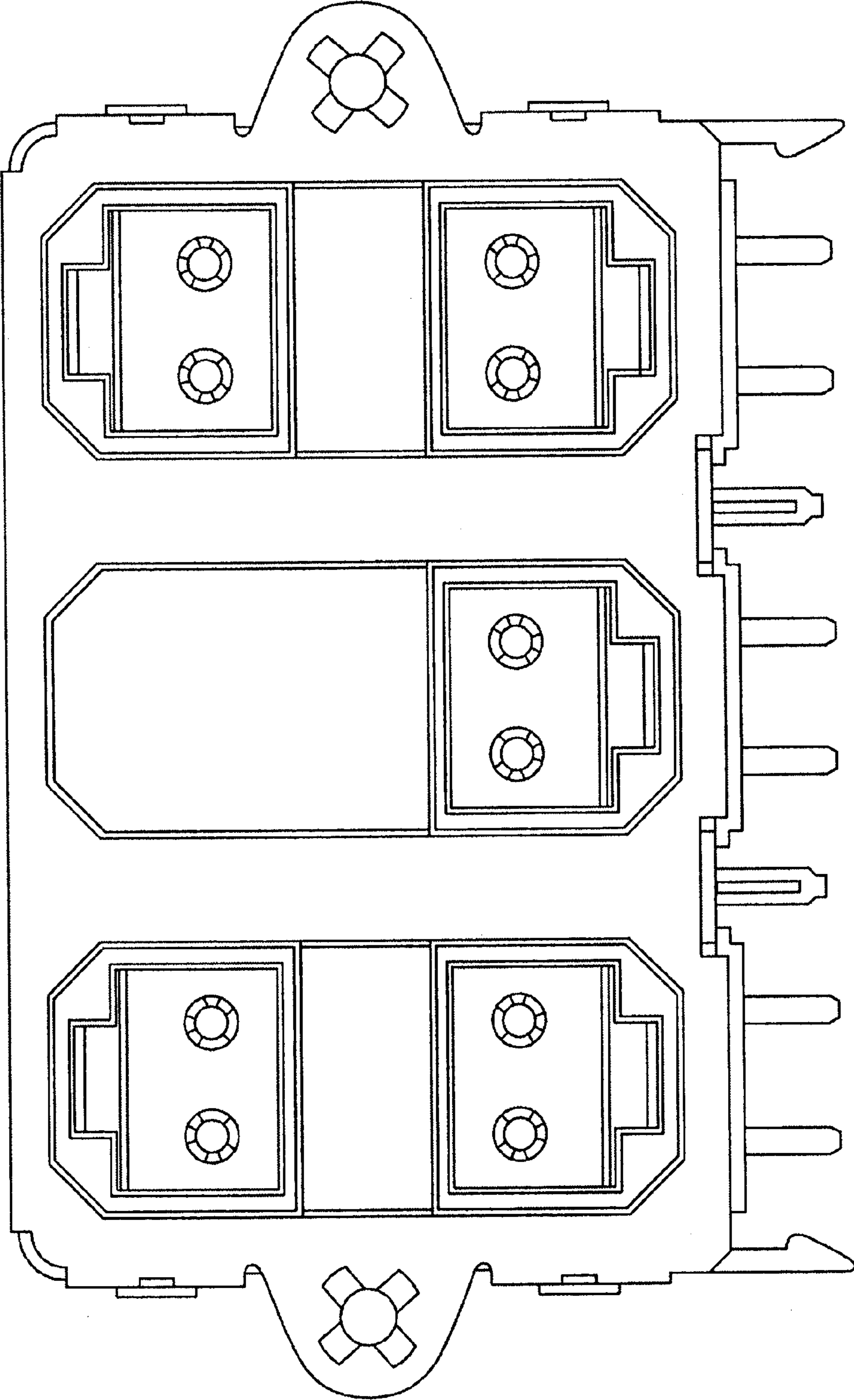


FIG. 1

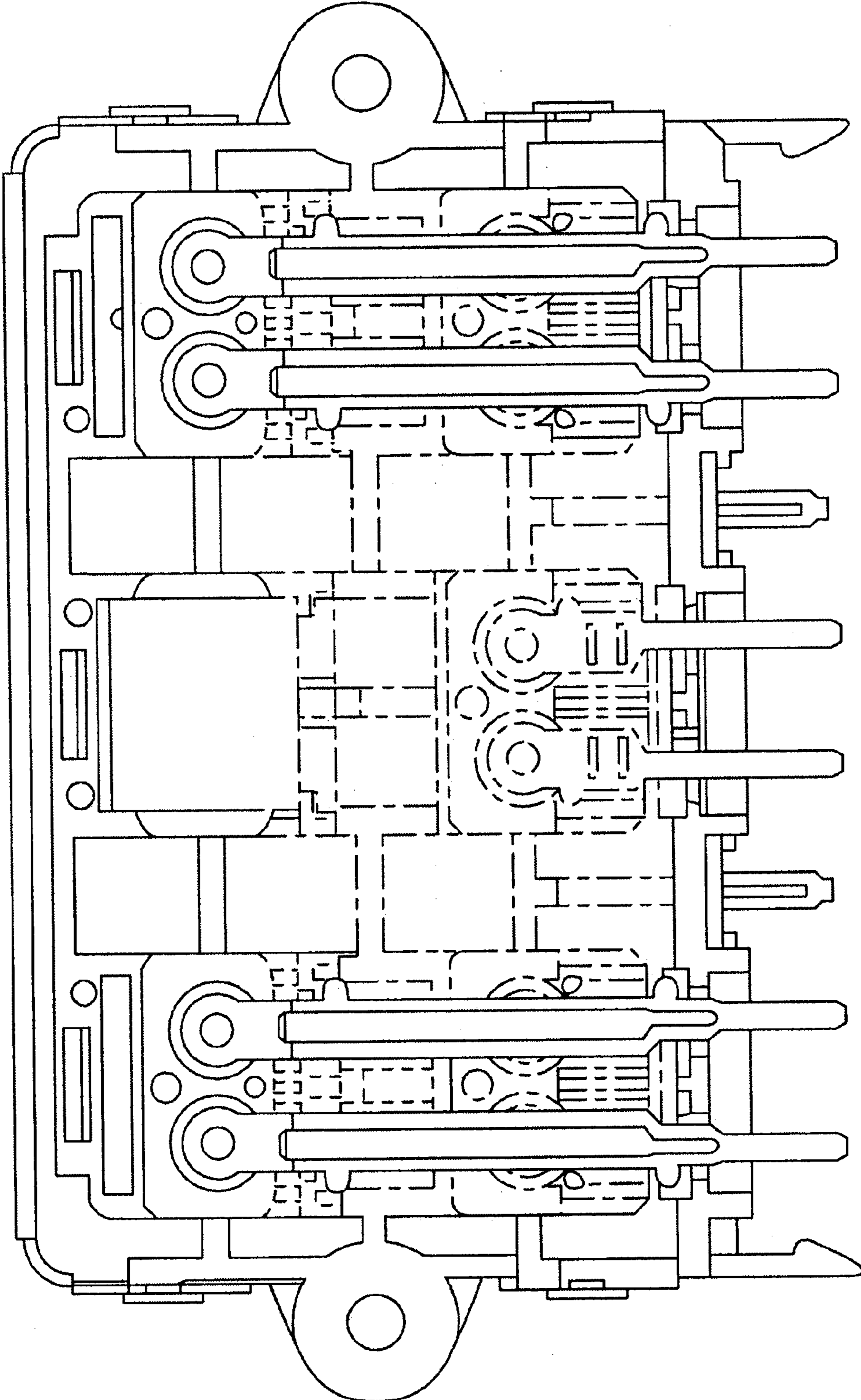


FIG. 2

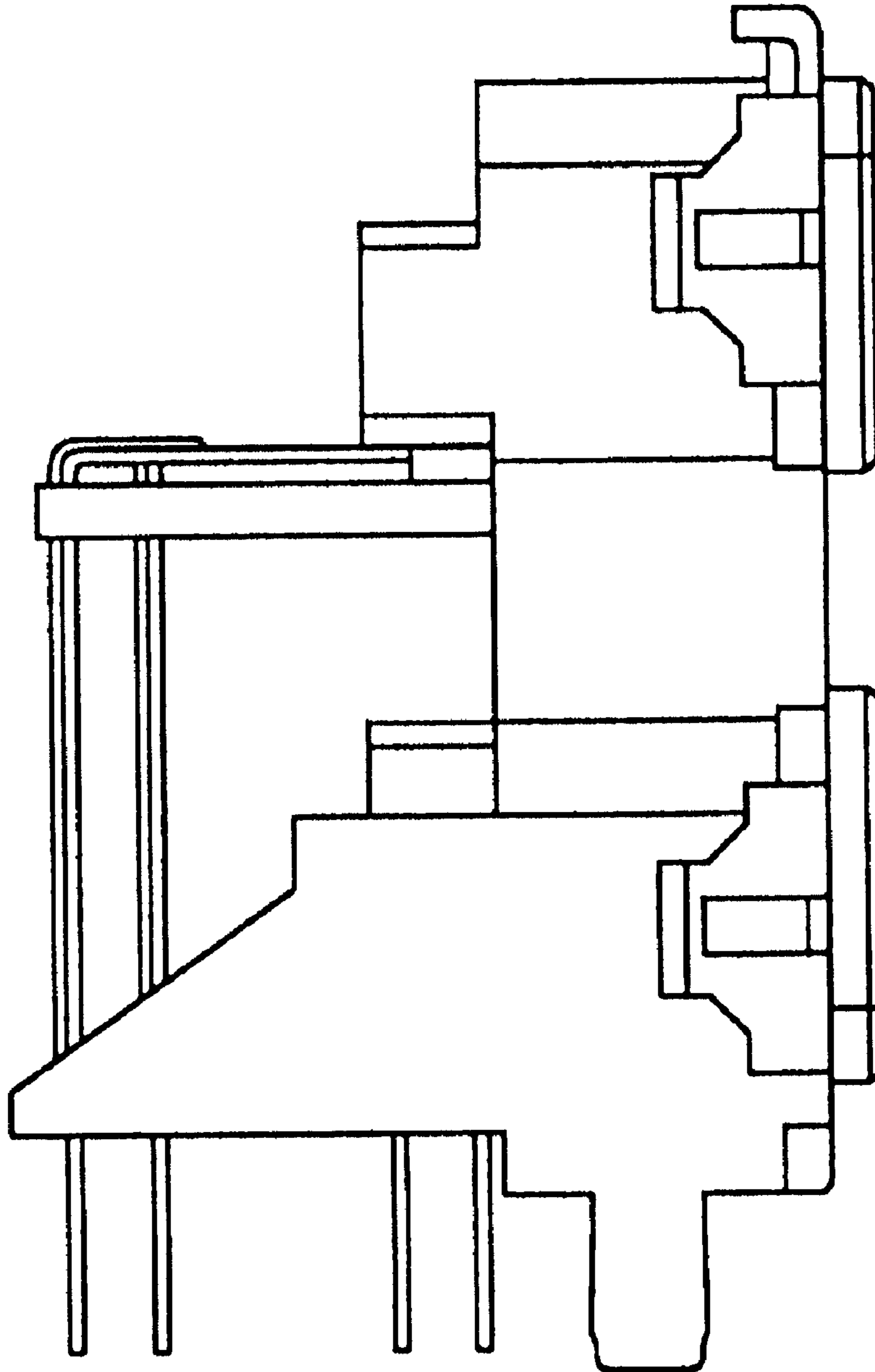


FIG. 3

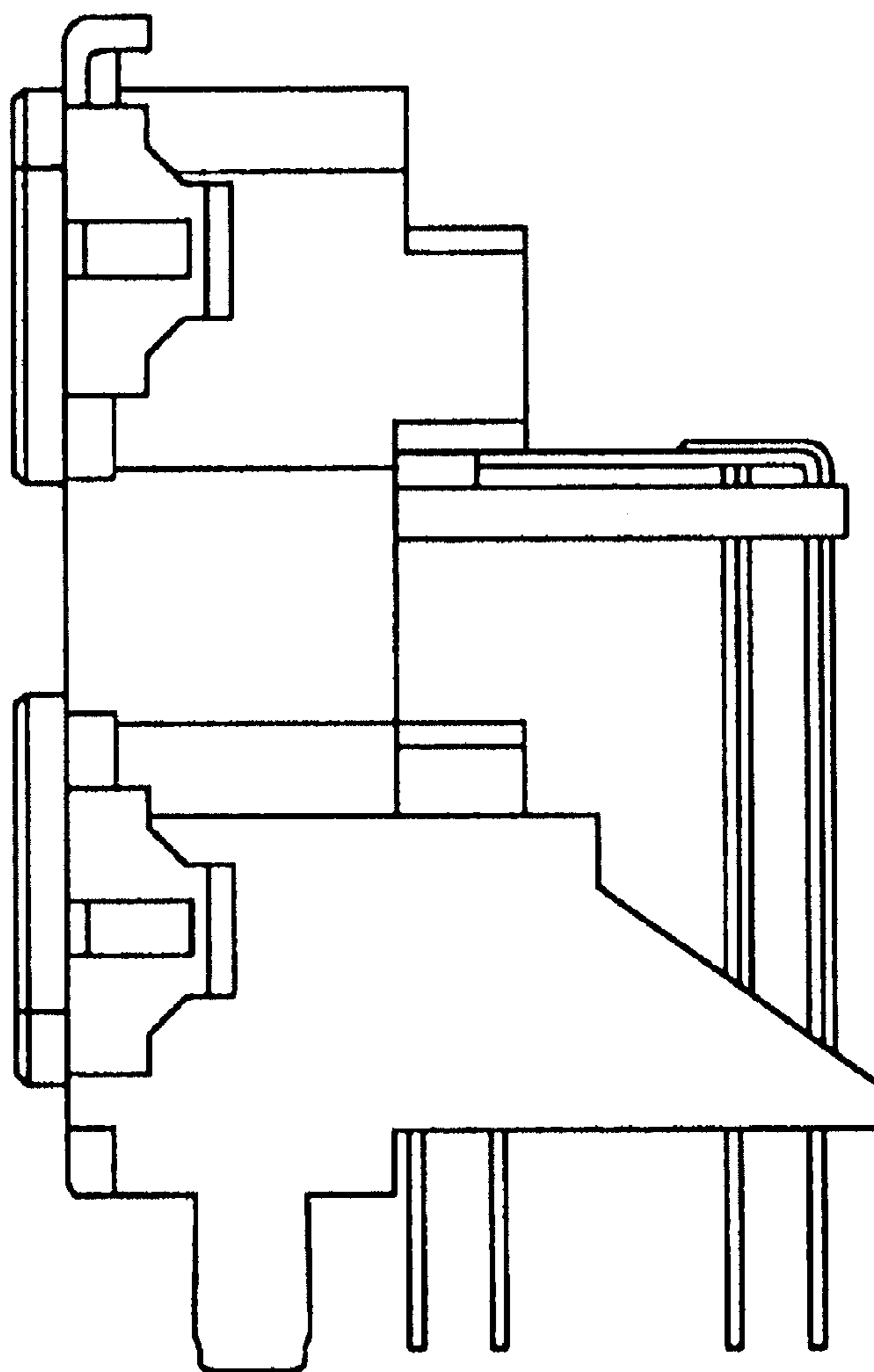


FIG. 4

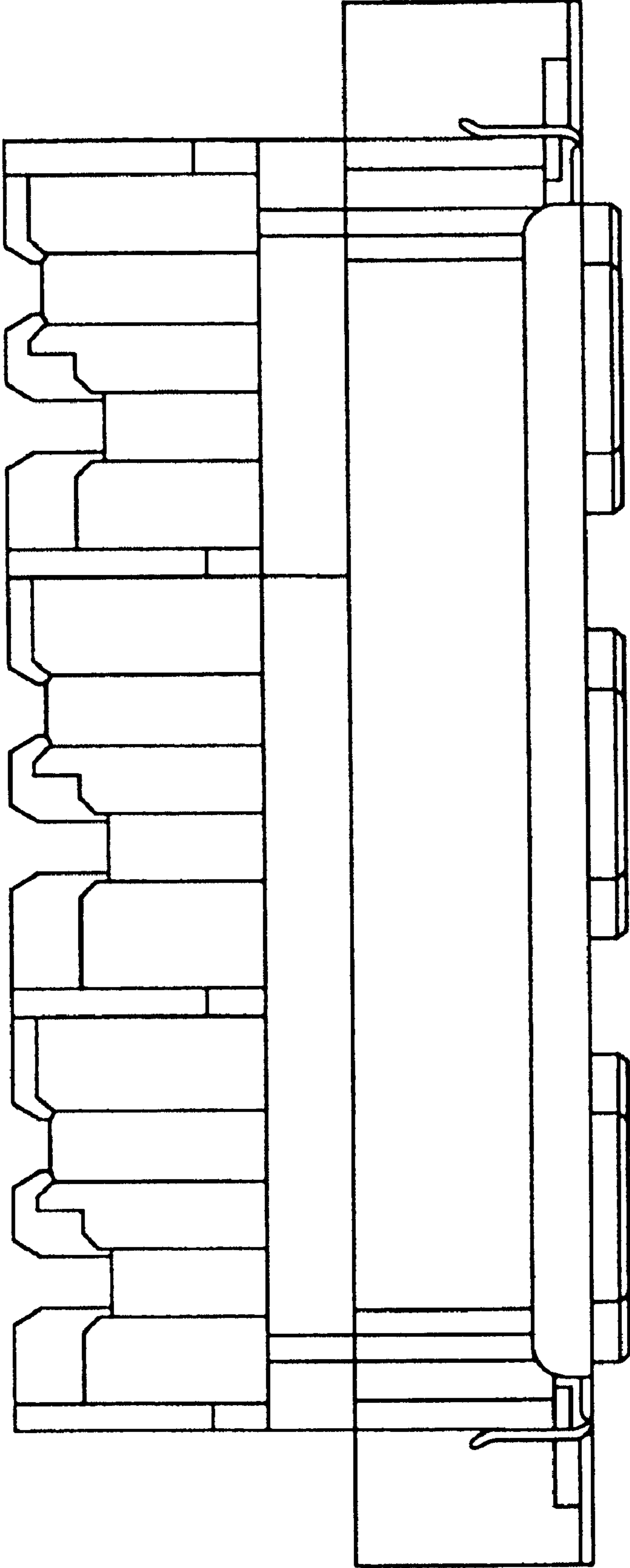


FIG. 5

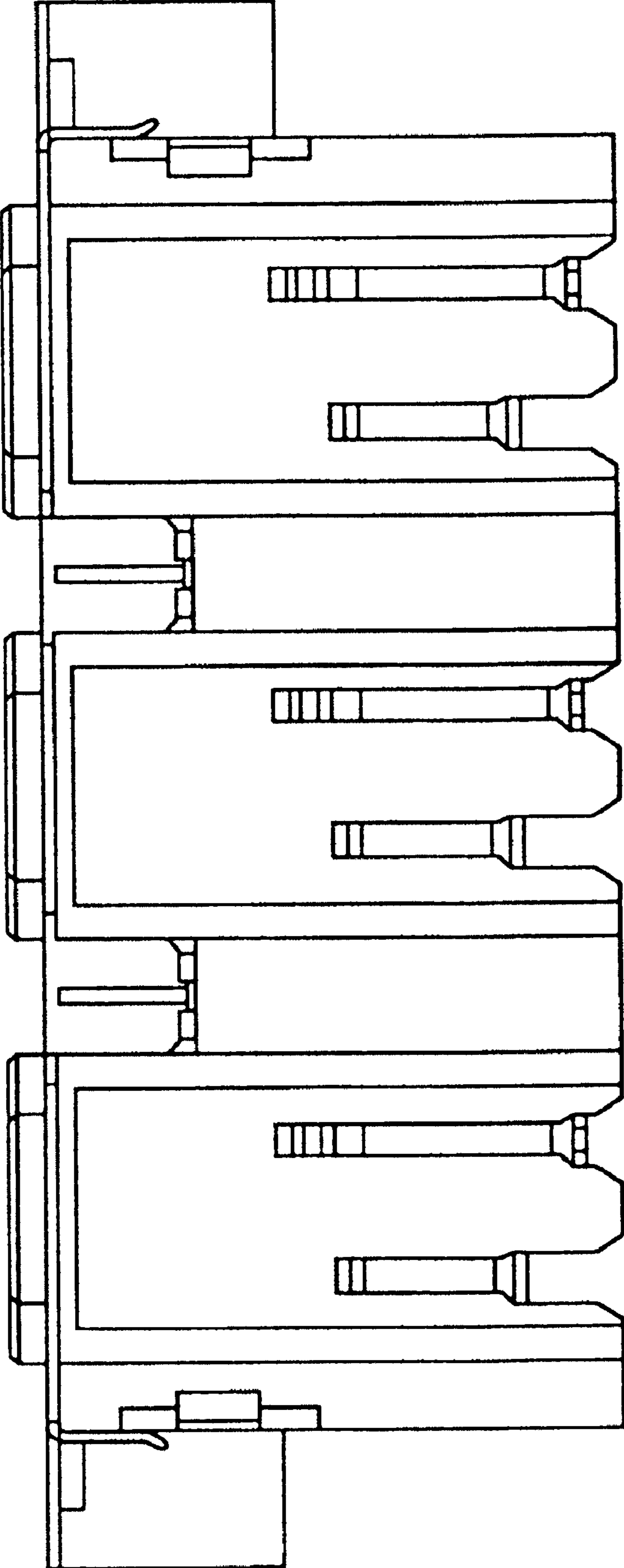


FIG. 6

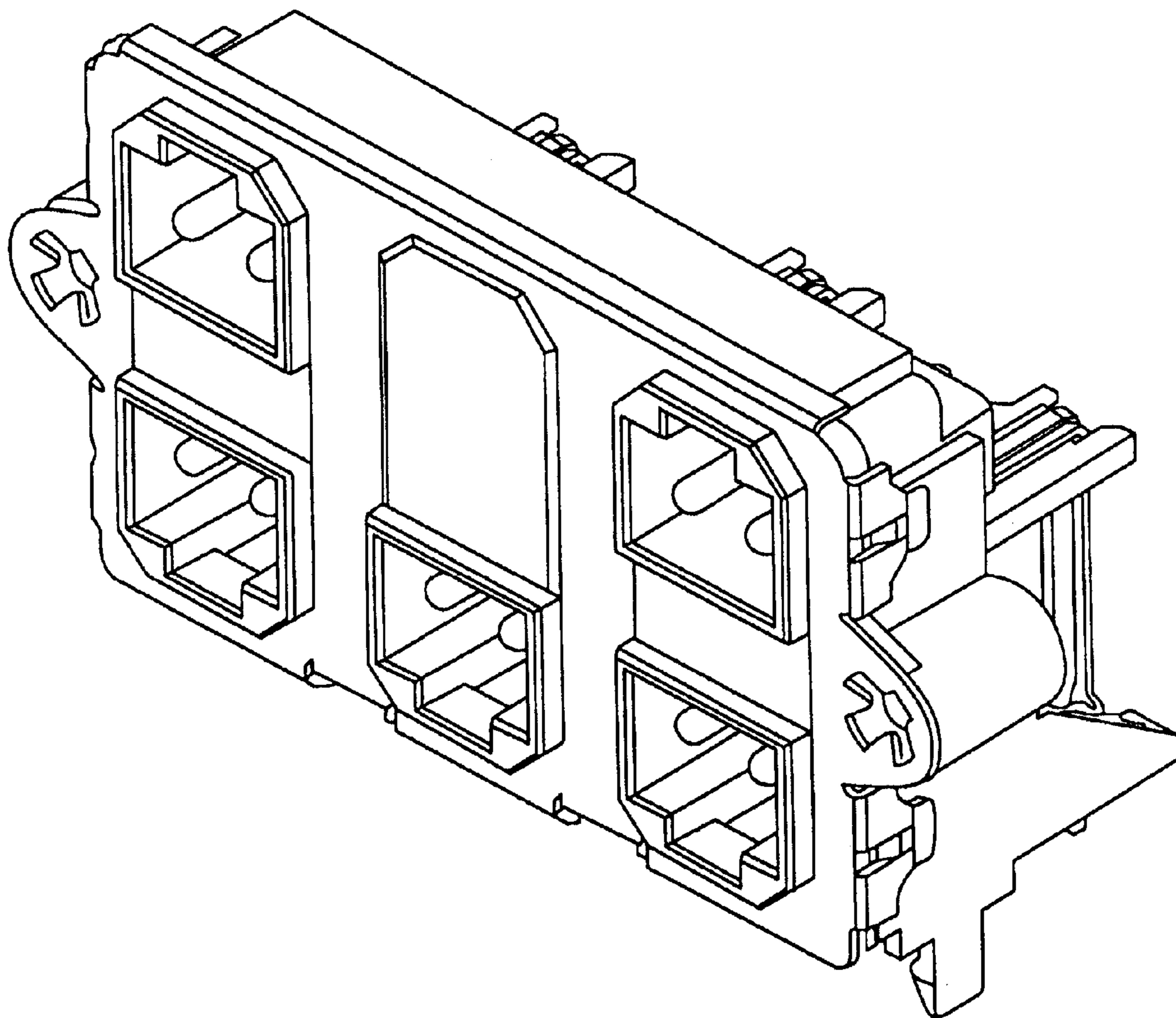


FIG. 7