



US00D599290S

(12) **United States Design Patent**  
**Lee**

(10) **Patent No.:** **US D599,290 S**  
(45) **Date of Patent:** **\*\* Sep. 1, 2009**

(54) **MULTIPLE ELECTRICAL PLUG WITH LIGHT INDICATOR**

(75) Inventor: **Dominic Lee**, Hong Kong (CN)

(73) Assignee: **Multway Industries Ltd.**, Tsuen Wan  
Hong Kong (HK)

(\*\*) Term: **14 Years**

(21) Appl. No.: **29/313,352**

(22) Filed: **Dec. 30, 2008**

(51) **LOC (9) Cl.** ..... **13-03**

(52) **U.S. Cl.** ..... **D13/137.2**

(58) **Field of Classification Search** .. D13/137.1–139.8,  
D13/184; D14/433; 174/53–58, 66; 439/105–107,  
439/535, 650–655, 692

See application file for complete search history.

(56) **References Cited**

**U.S. PATENT DOCUMENTS**

1,511,855	A *	10/1924	Wentz	.....	439/652
D77,735	S *	2/1929	Both	.....	D13/137.2
D80,102	S *	12/1929	Muldoon	.....	D13/137.2
D86,613	S *	3/1932	Lauter	.....	D13/137.2
2,318,484	A *	5/1943	Herman	.....	439/601
D194,105	S *	11/1962	More	.....	D13/137.2
D251,293	S *	3/1979	Trueblood	.....	D13/137.2
D276,225	S *	11/1984	Powel	.....	D13/137.2
D415,105	S	10/1999	Lee		
D446,502	S *	8/2001	Wen	.....	D13/137.2
D483,723	S *	12/2003	Adachi et al.	.....	D13/139.7
6,929,514	B1 *	8/2005	Chuang	.....	439/652
7,371,121	B1 *	5/2008	Lee	.....	439/650

\* cited by examiner

*Primary Examiner*—Jennifer Rivard  
*Assistant Examiner*—Rosemary K Tarcza  
(74) *Attorney, Agent, or Firm*—Frost Brown Todd LLC

(57) **CLAIM**

The ornamental design for a multiple electrical plug with light indicator design, as shown and described.

**DESCRIPTION**

FIG. 1 presents a top pictorial view of my new multiple electrical plug with light indicator design.

FIG. 2 presents a top plan view of the multiple electrical plug with light indicator as illustrated in FIG. 1.

FIG. 3 presents a bottom pictorial view of the multiple electrical plug with light indicator as illustrated in FIG. 1.

FIG. 4 presents a bottom view of the multiple electrical plug with light indicator design as illustrated in FIG. 1.

FIG. 5 presents a front elevational view of the multiple electrical plug with light indicator design as illustrated in FIG. 1.

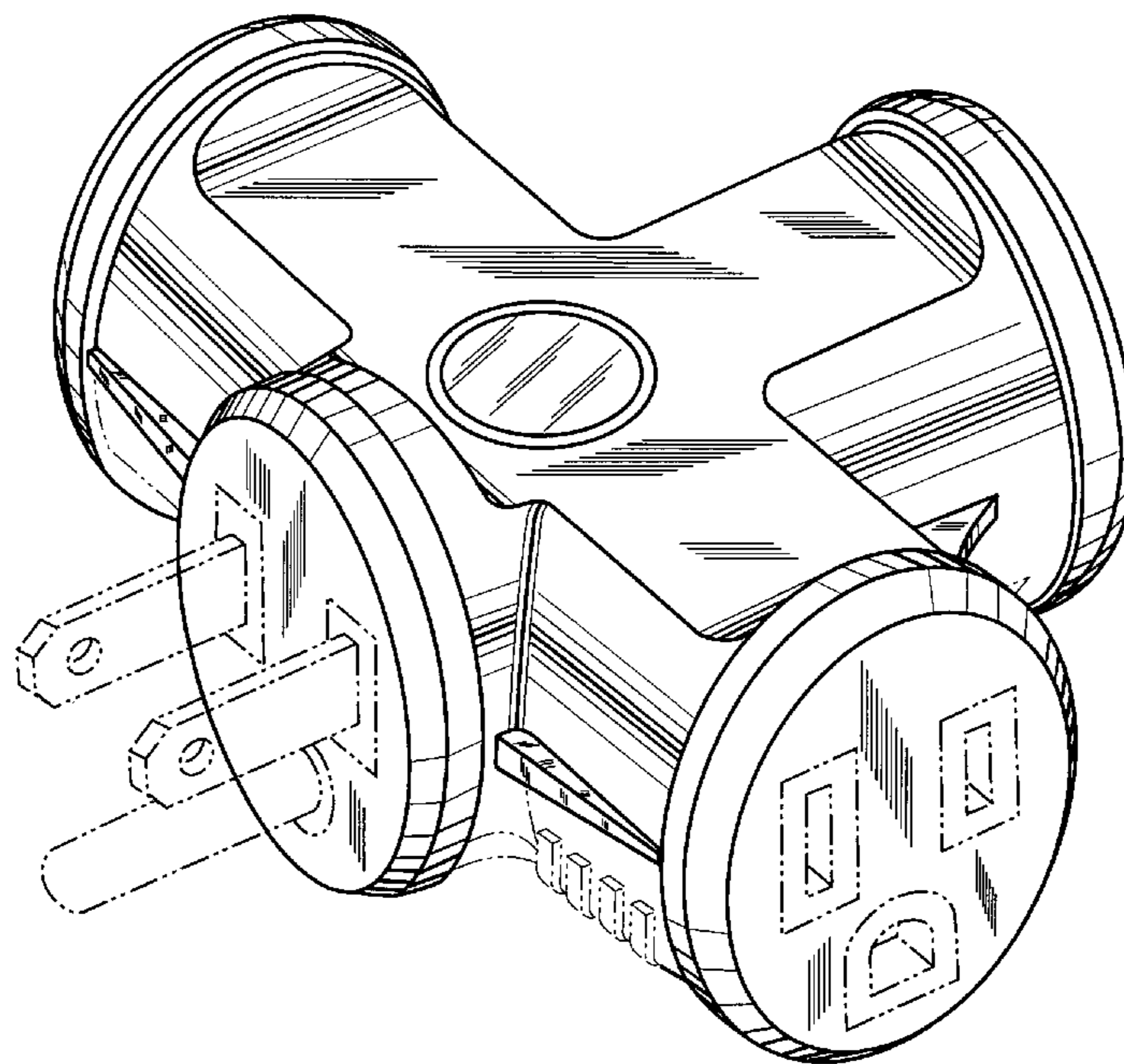
FIG. 6 presents a rear elevational view of the multiple electrical plug as illustrated in FIG. 1; and,

FIG. 7 presents a left side elevational view of the multiple electrical plug with light indicator illustrated in FIG. 1.

The right side elevational view of the multiple electrical plug with light indicator illustrated in FIG. 1 is a reverse view of FIG. 7.

The broken lines in the drawings are for illustrative purposes only and form no part of the claimed design.

**1 Claim, 7 Drawing Sheets**



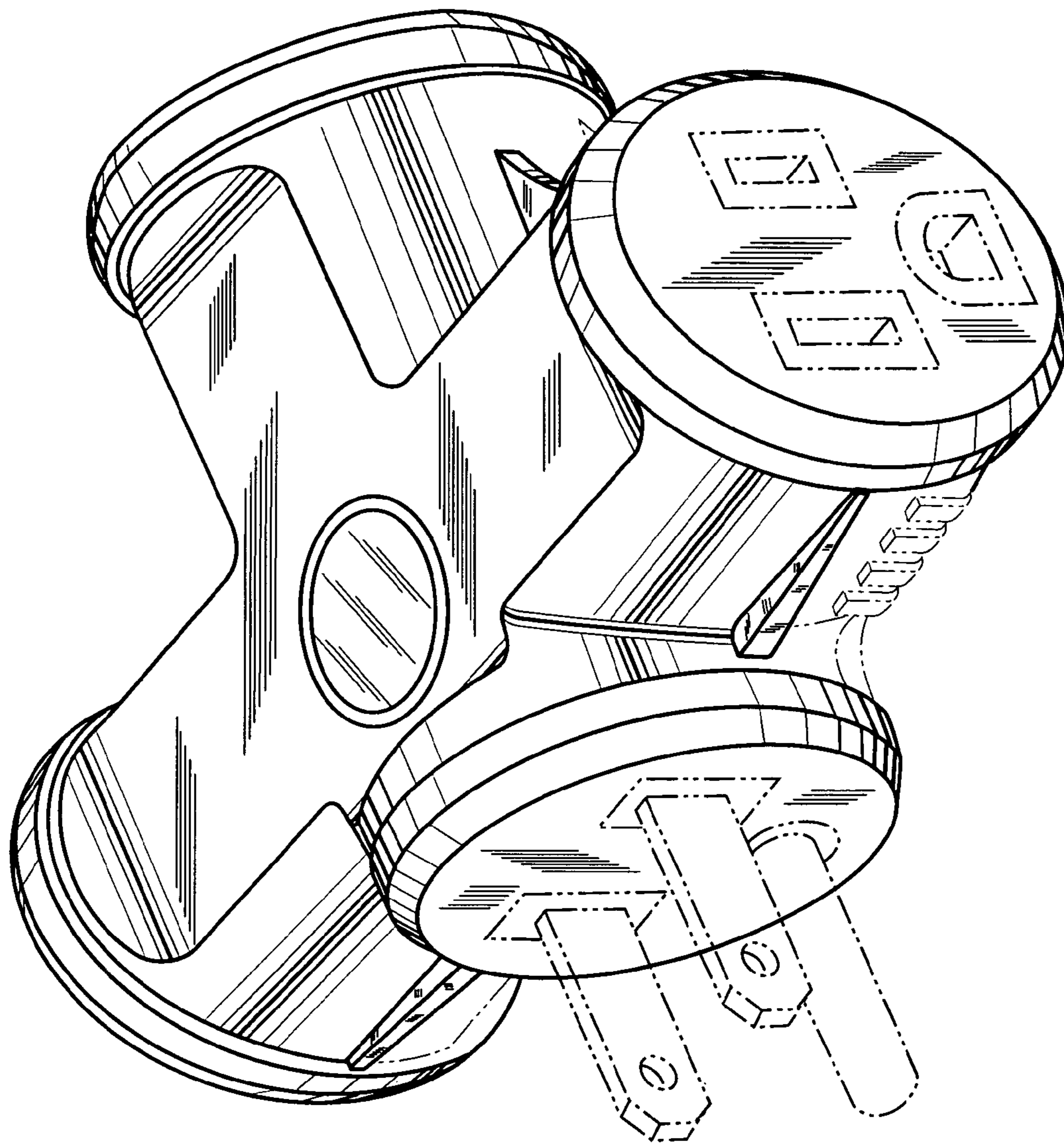


FIG. 1

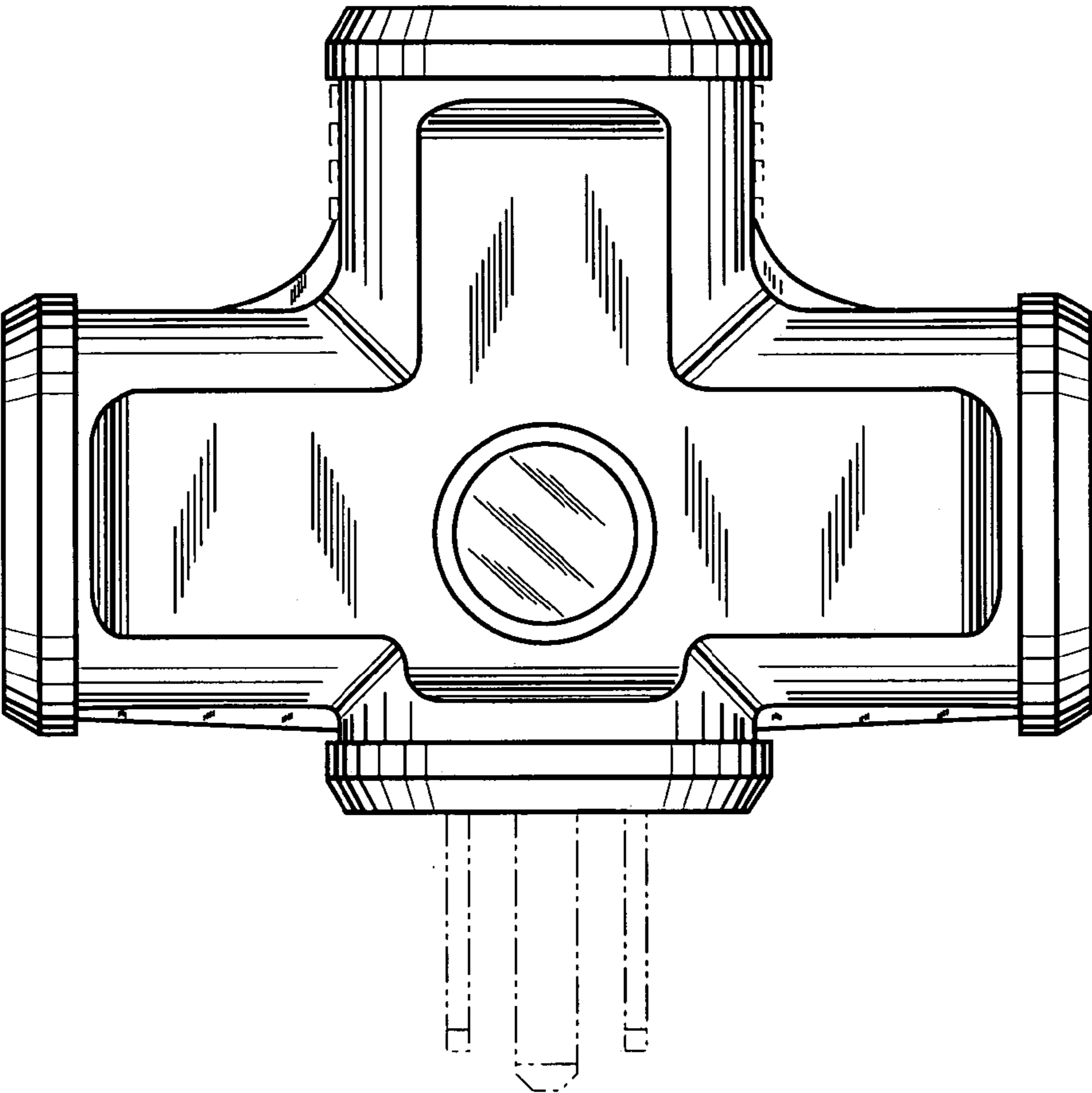


FIG. 2

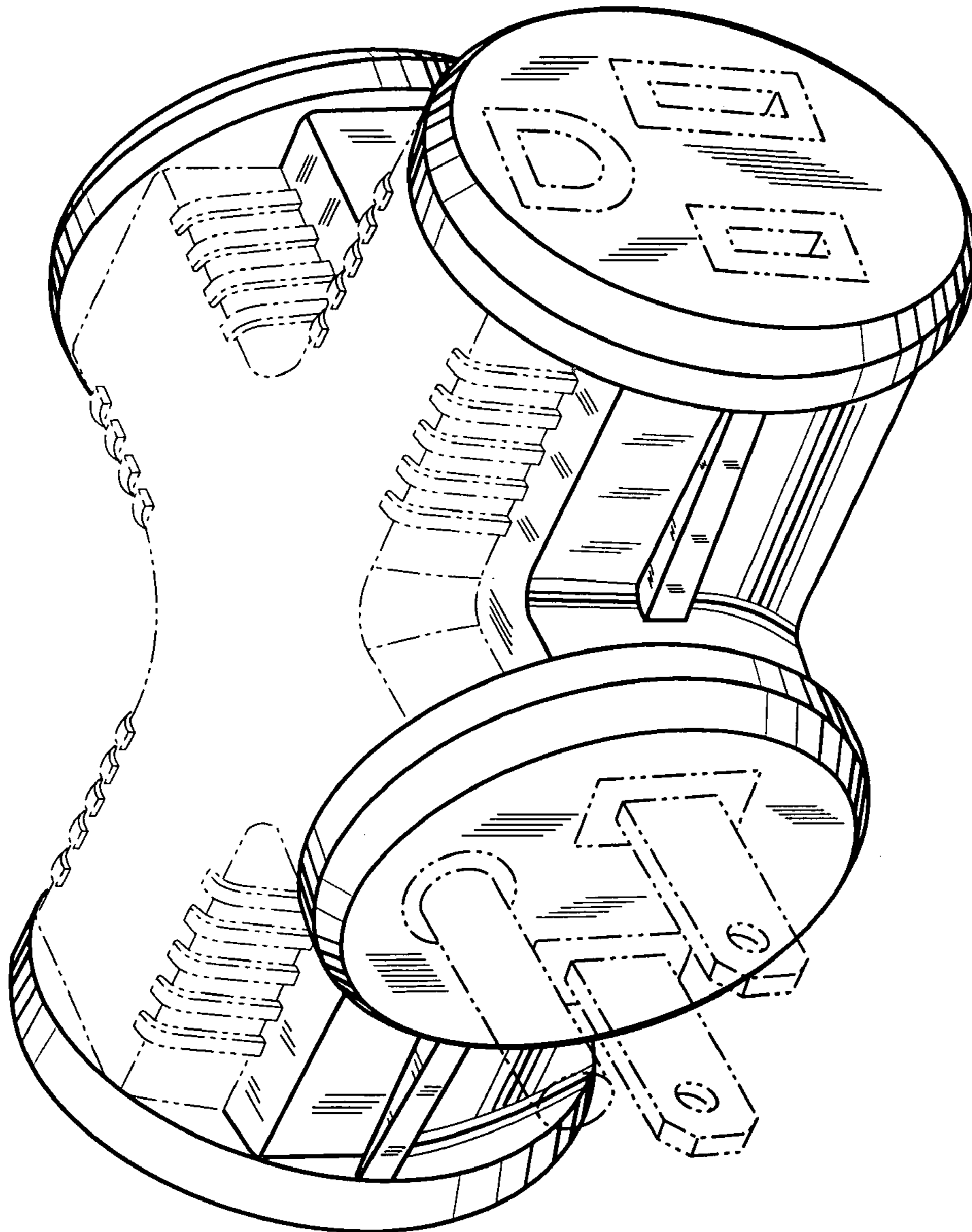


FIG. 3

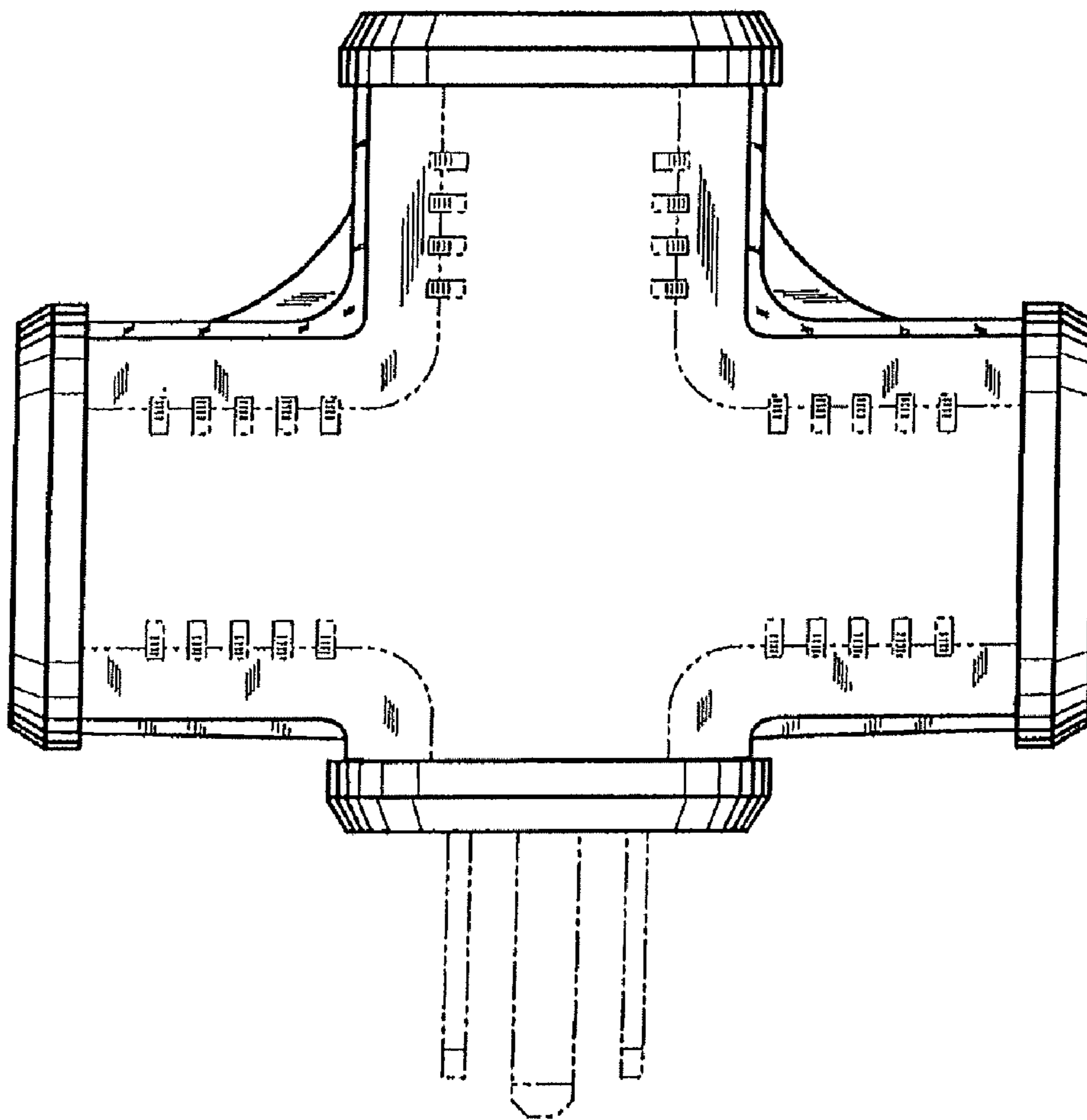


FIG. 4

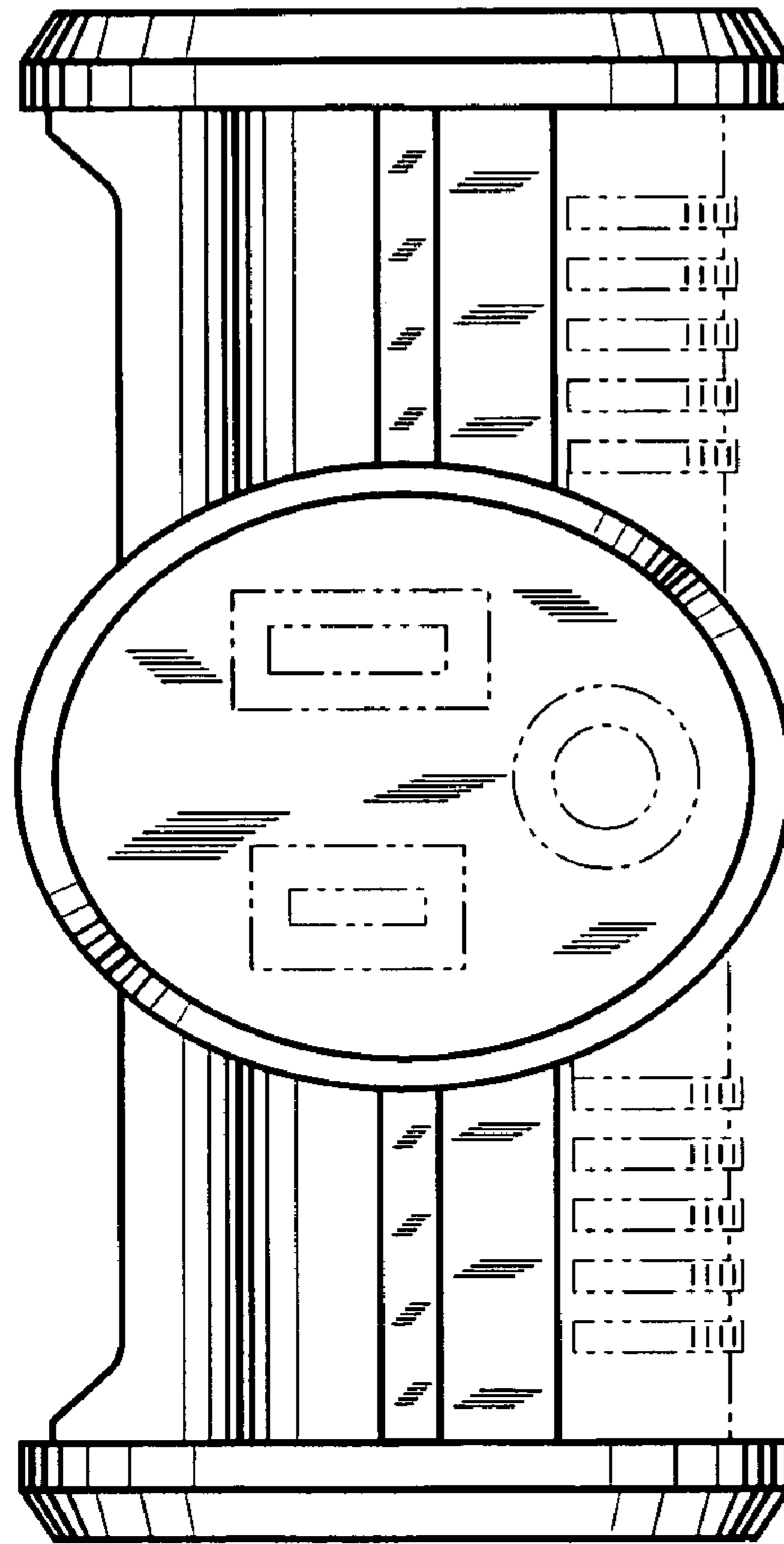


FIG. 5

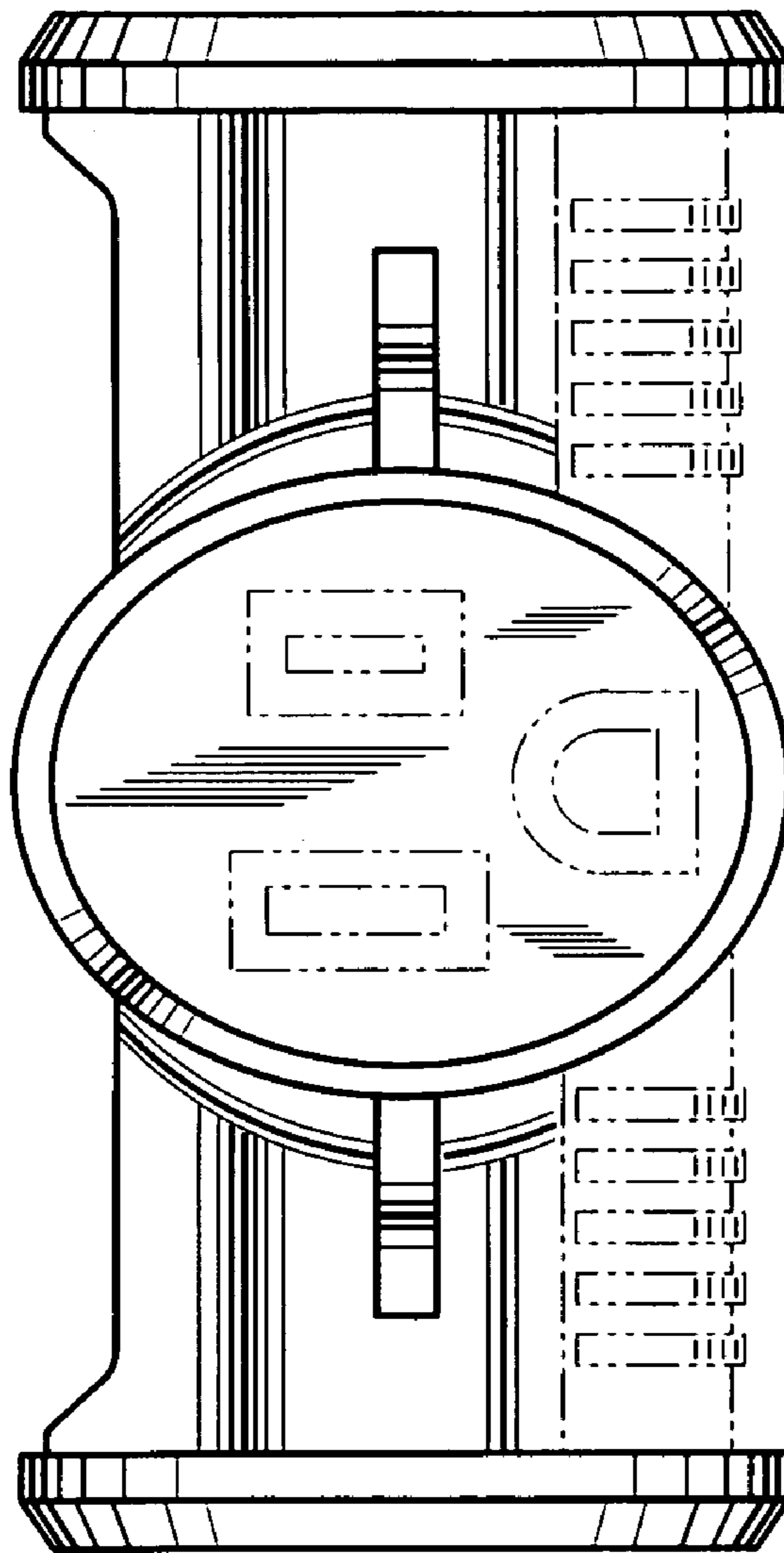


FIG. 6

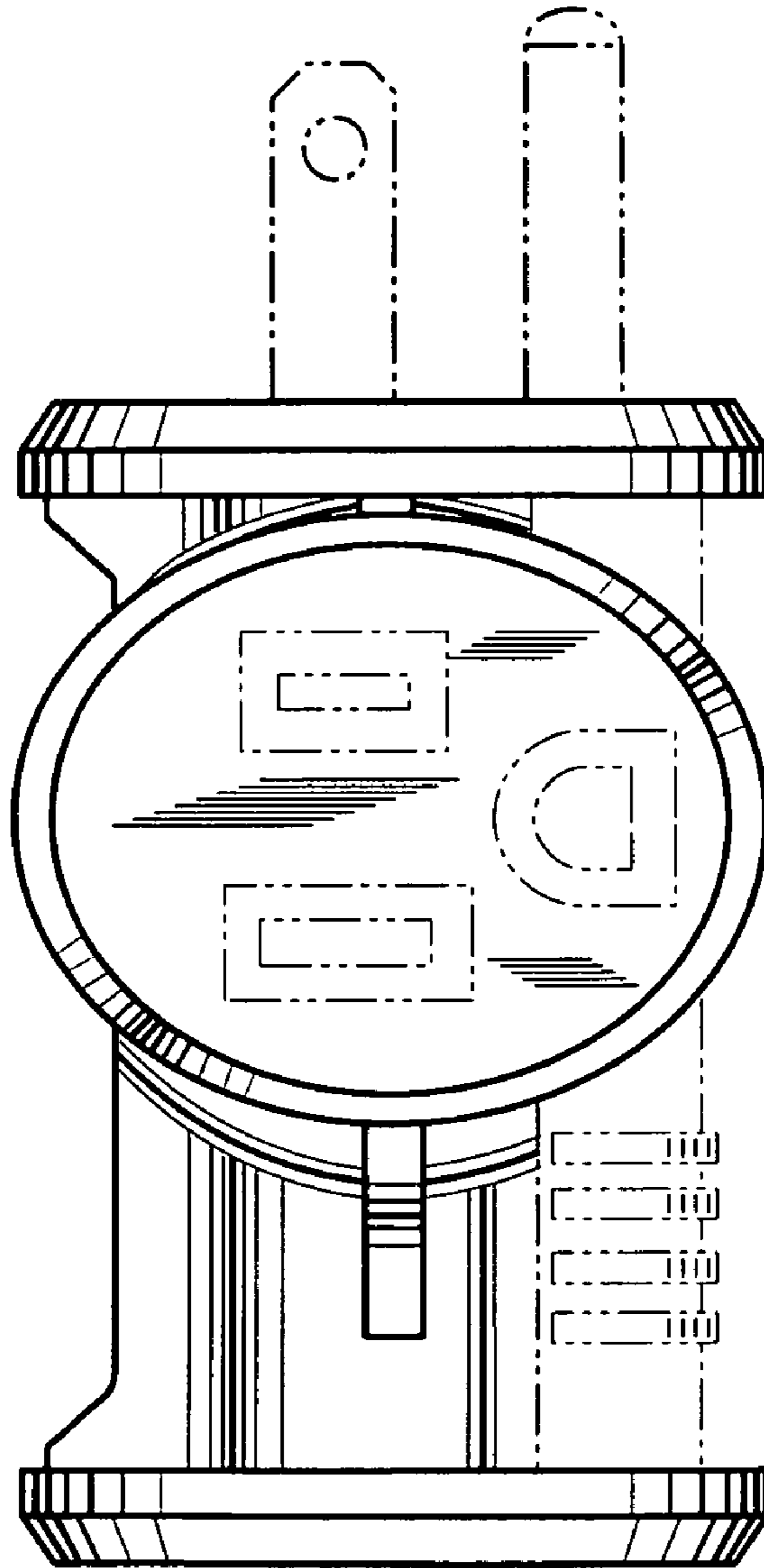


FIG. 7