



US00D599289S

(12) **United States Design Patent**
Roos

(10) **Patent No.:** **US D599,289 S**

(45) **Date of Patent:** **** Sep. 1, 2009**

(54) **CABLE RECEPTACLE**

D563,869 S * 3/2008 Dewberry D13/110
D576,948 S * 9/2008 Bernstine D13/133

(75) Inventor: **Andries Marthinus Roos**, Cape Town
(ZA)

* cited by examiner

(73) Assignee: **Axia Industries CC**, Cape Town (ZA)

Primary Examiner—Daniel D Bui

Assistant Examiner—Thomas J Johannes

(**) Term: **14 Years**

(74) *Attorney, Agent, or Firm*—Knobbe, Martens, Olson &
Bear LLP

(21) Appl. No.: **29/332,528**

(57) **CLAIM**

(22) Filed: **Feb. 18, 2009**

The ornamental design for a cable receptacle, as shown and
described.

(51) **LOC (9) Cl.** **13-03**

(52) **U.S. Cl.** **D13/133**

(58) **Field of Classification Search** D13/133,
D13/154, 156, 199; 439/447, 901, 730, 519,
439/521, 523; 174/138 F, 74 R, 74 A; 361/669,
361/823

DESCRIPTION

See application file for complete search history.

FIG. 1 is a left perspective view of a cable receptacle, showing
my new design;

FIG. 2 is a right perspective view thereof;

FIG. 3 is a left side elevation view thereof; the right side
elevation being a mirror image thereto;

(56) **References Cited**

U.S. PATENT DOCUMENTS

FIG. 4 is a front elevation view thereof; the rear elevation
being a mirror image thereto;

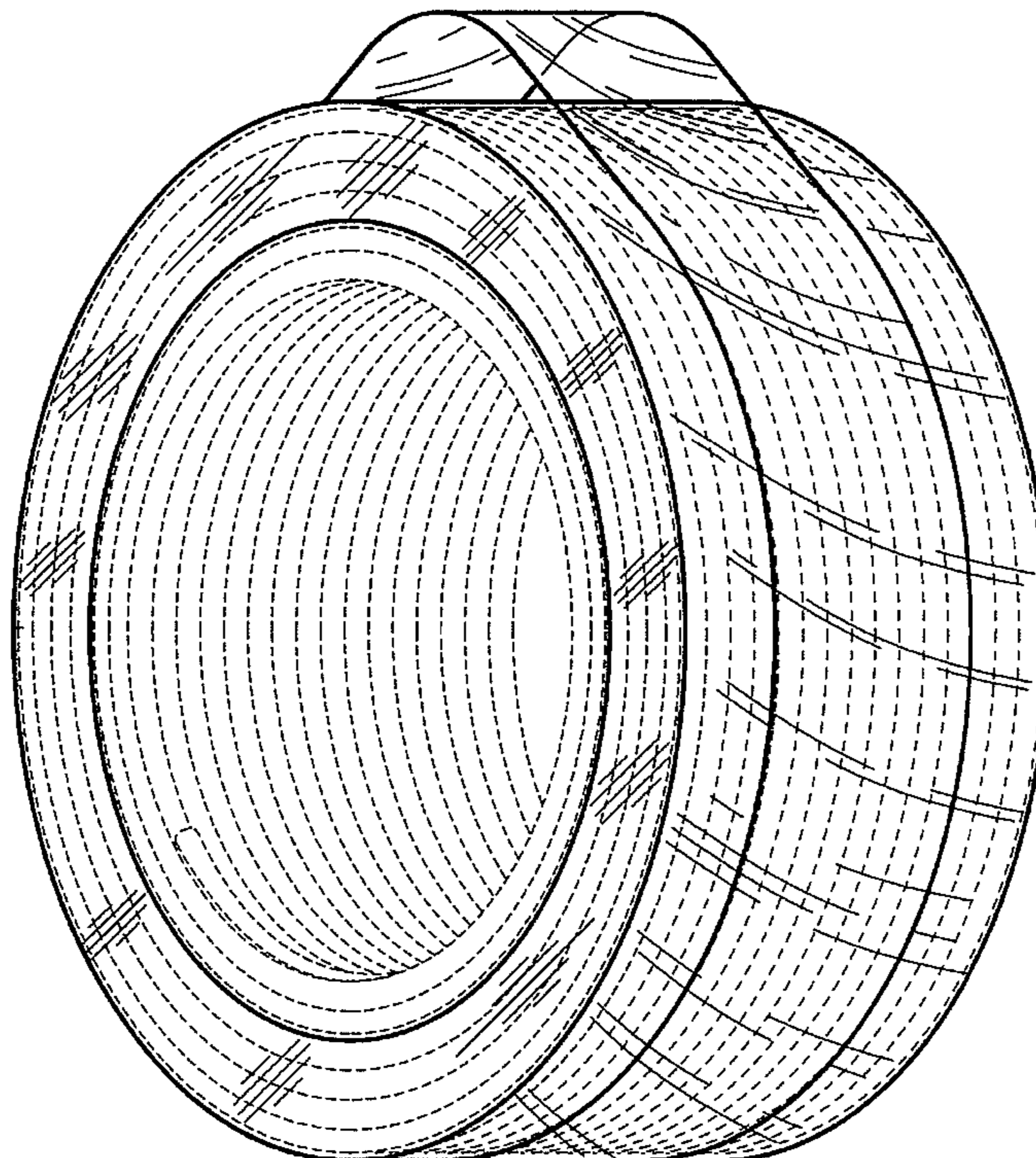
3,366,920	A *	1/1968	Laudig et al.	439/581
4,598,961	A *	7/1986	Cohen	439/63
D296,548	S *	7/1988	Laurie	D13/156
D387,729	S *	12/1997	Huska	D13/133
D402,958	S *	12/1998	Sontag	D13/133
D405,056	S *	2/1999	Lee	D13/154
6,824,392	B1 *	11/2004	Guo	439/63
D513,406	S *	1/2006	Rodrigues et al.	D13/133
7,074,077	B2 *	7/2006	Sakaguchi et al.	439/521

FIG. 5 is a top plan view thereof; and,

FIG. 6 is a bottom plan view thereof.

The broken line portion of the figure drawings is included to
show unclaimed subject matter within the cable receptacle
and forms no part of the claimed design.

1 Claim, 3 Drawing Sheets



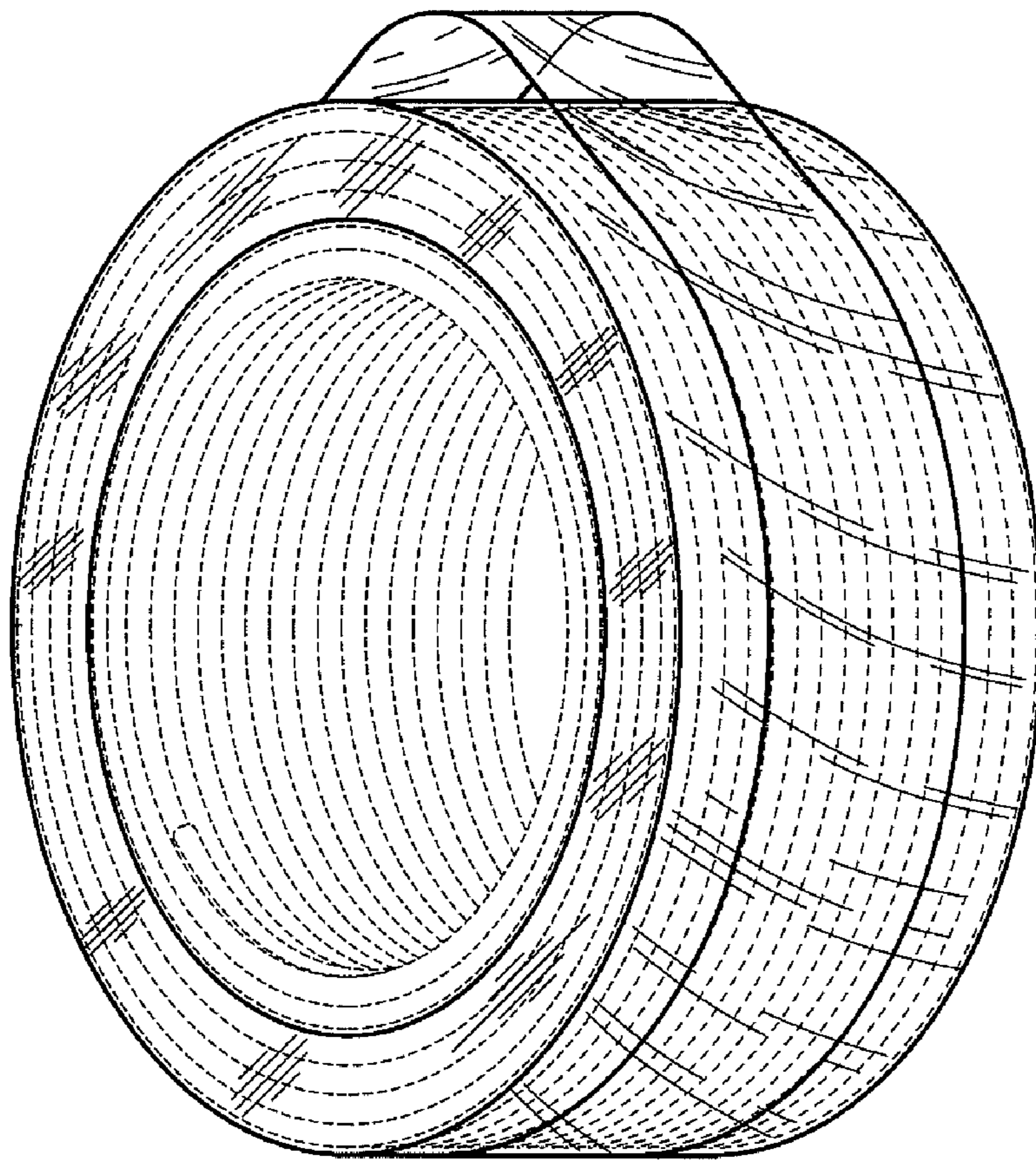


Figure 1

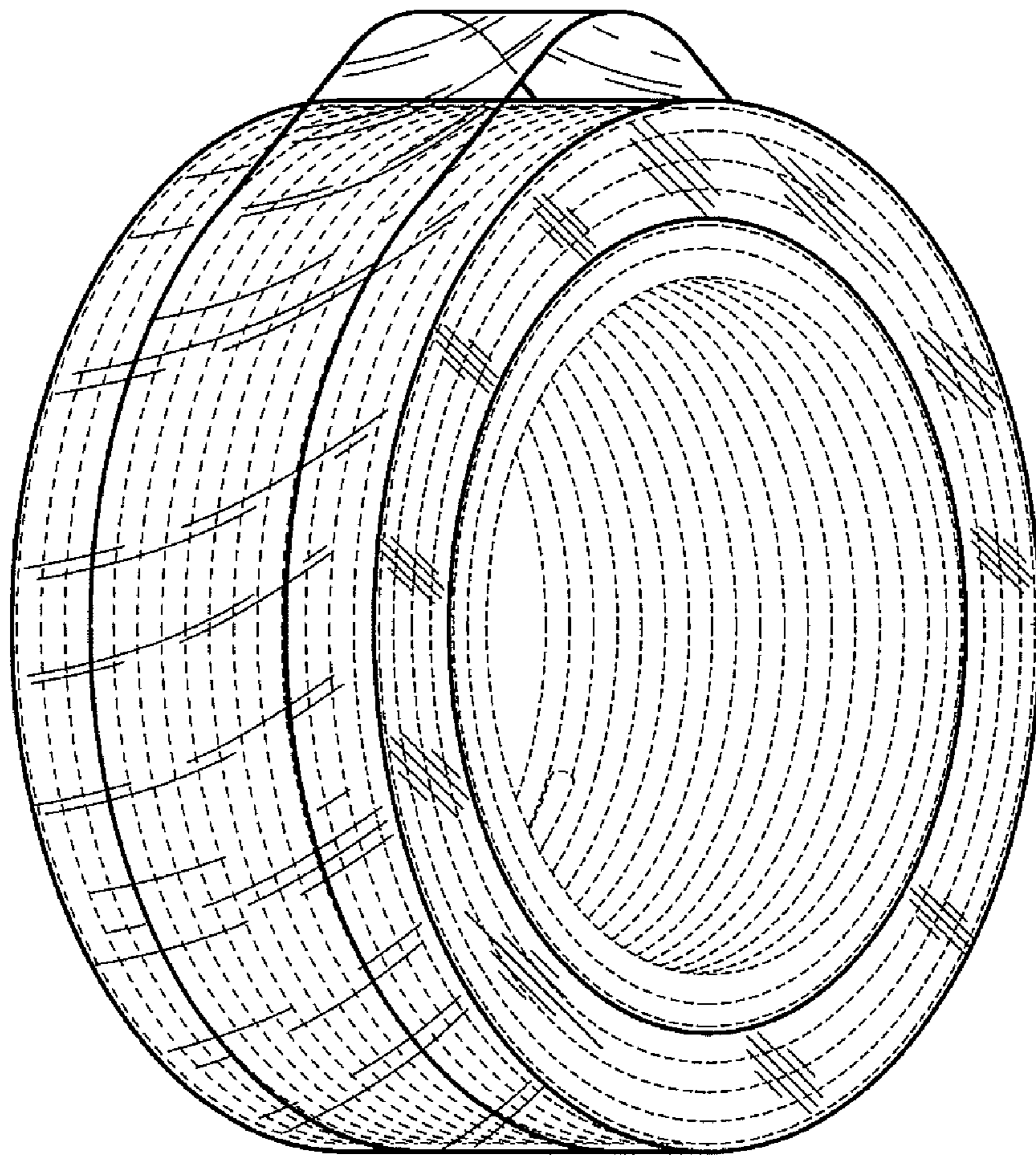


Figure 2

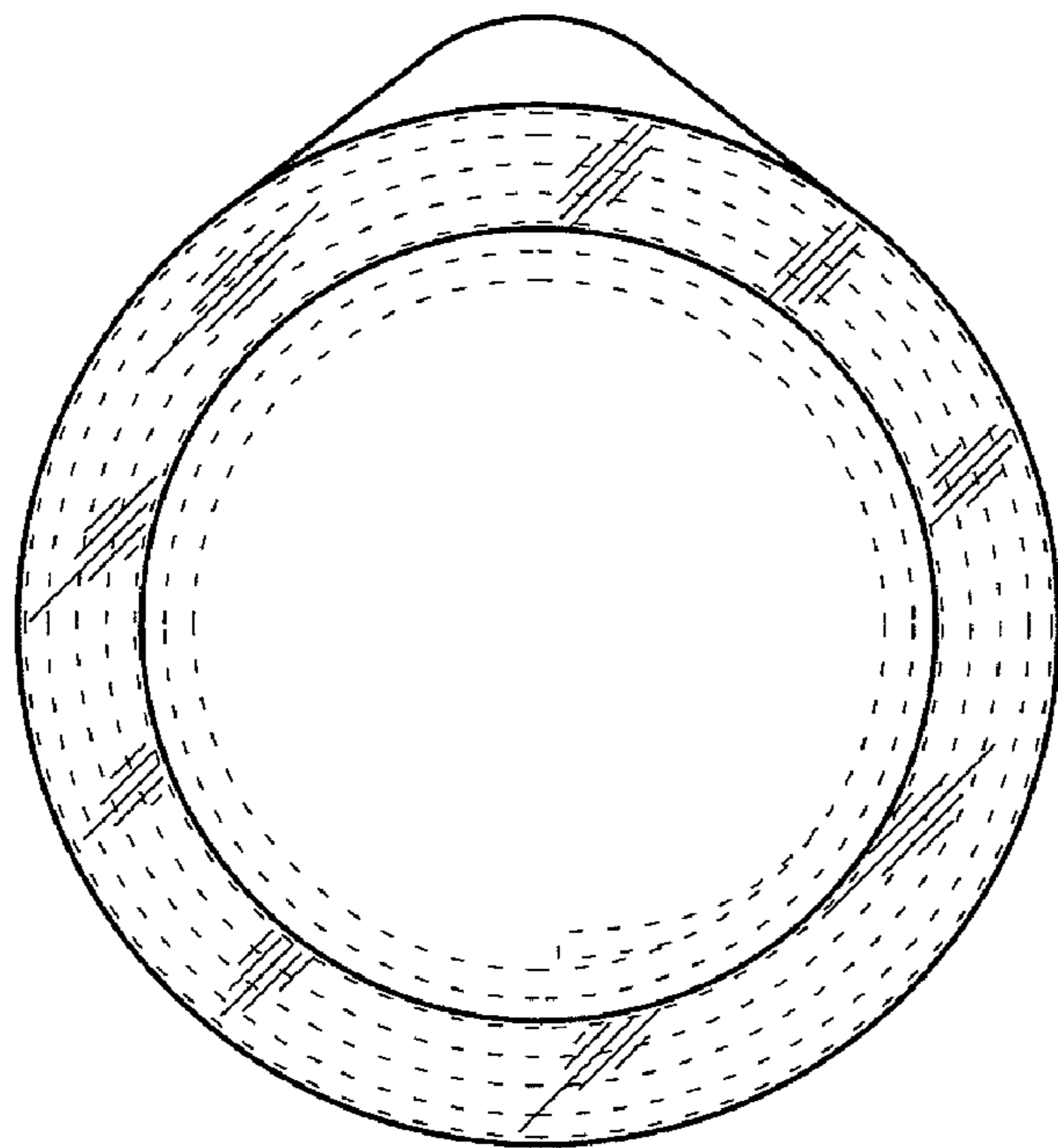


Figure 3

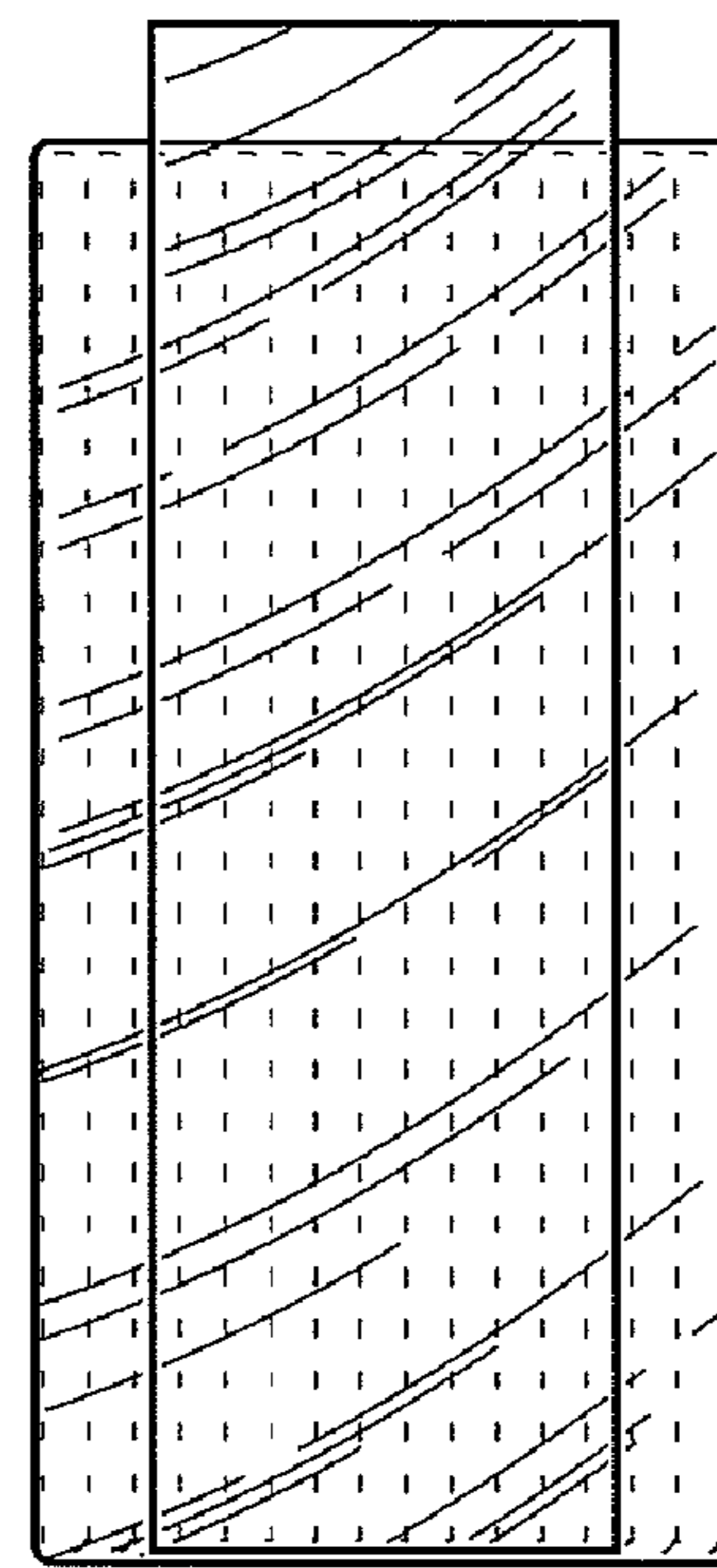


Figure 4

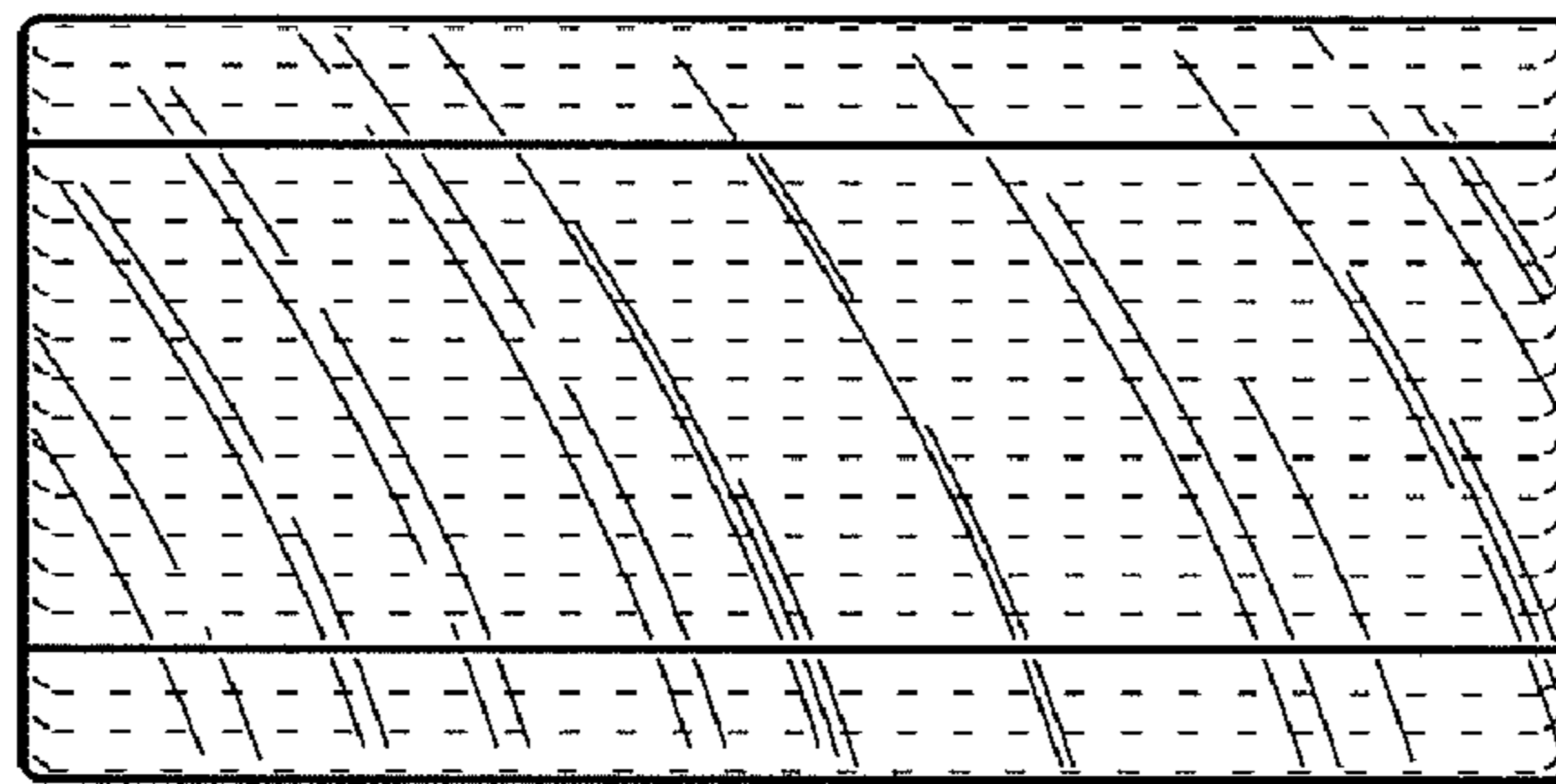


Figure 5

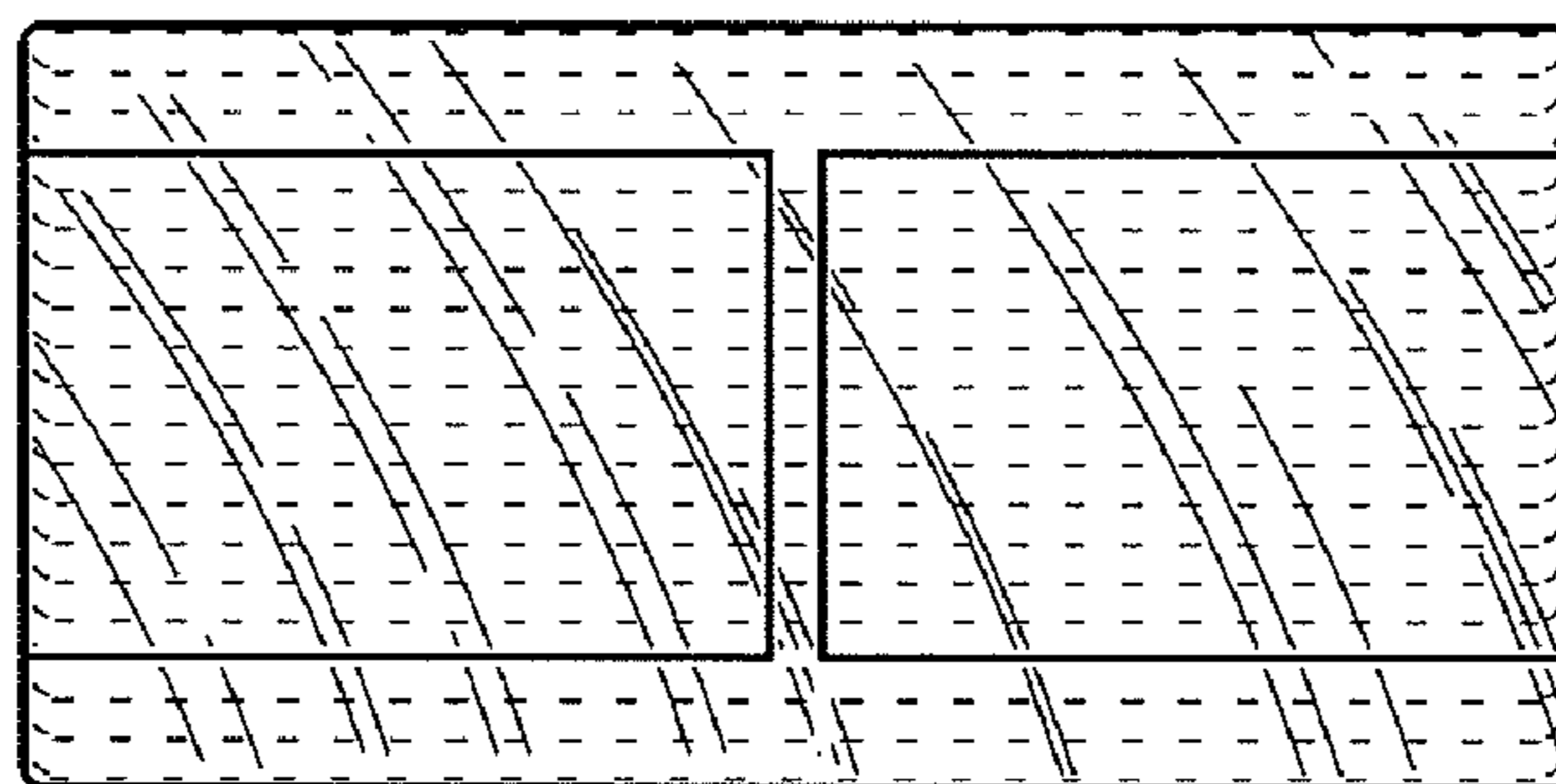


Figure 6