



US00D599286S

(12) **United States Design Patent**
Horito et al.

(10) **Patent No.:** **US D599,286 S**
(45) **Date of Patent:** **** Sep. 1, 2009**

(54) **SOLAR PANEL**

D493,768 S * 8/2004 Lam D13/102
D536,299 S * 2/2007 Lam D13/102

(75) Inventors: **Michael Horito**, Provo, UT (US); **Dayne Tanner**, Spokane, WA (US); **Janna Budge**, Portland, OR (US); **Lee Croy**, Salt Lake City, UT (US); **Tyler Allan**, Springville, UT (US)

* cited by examiner

Primary Examiner—Prabhakar Deshmukh
Assistant Examiner—Derrick Holland
(74) *Attorney, Agent, or Firm*—Honigman Miller Schwartz and Cohn LLP

(73) Assignee: **Provo Craft and Novelty, Inc.**, Spanish Fork, UT (US)

(57) **CLAIM**

The ornamental design for a solar panel, as shown and described.

(**) Term: **14 Years**

(21) Appl. No.: **29/321,486**

(22) Filed: **Jul. 17, 2008**

(51) **LOC (9) Cl.** **13-02**

(52) **U.S. Cl.** **D13/102**

(58) **Field of Classification Search** D13/102,
D13/106, 107, 184, 199; 126/624; 136/243,
136/244, 245; 320/101

See application file for complete search history.

DESCRIPTION

FIG. 1 is a front and top perspective view of a solar panel showing our new design, in a standing position;

FIG. 2 is a back and bottom perspective view thereof;

FIG. 3 is a top view in an open position;

FIG. 4 is a bottom view thereof;

FIG. 5 is a front view thereof;

FIG. 6 is a back view thereof;

FIG. 7 is a left view thereof;

FIG. 8 is a right view thereof;

FIG. 9 is a left side bottom view thereof, in a closed position;

FIG. 10 is a right side bottom view thereof;

FIG. 11 is a left end view thereof;

FIG. 12 is a right end view thereof;

FIG. 13 is a front view thereof; and,

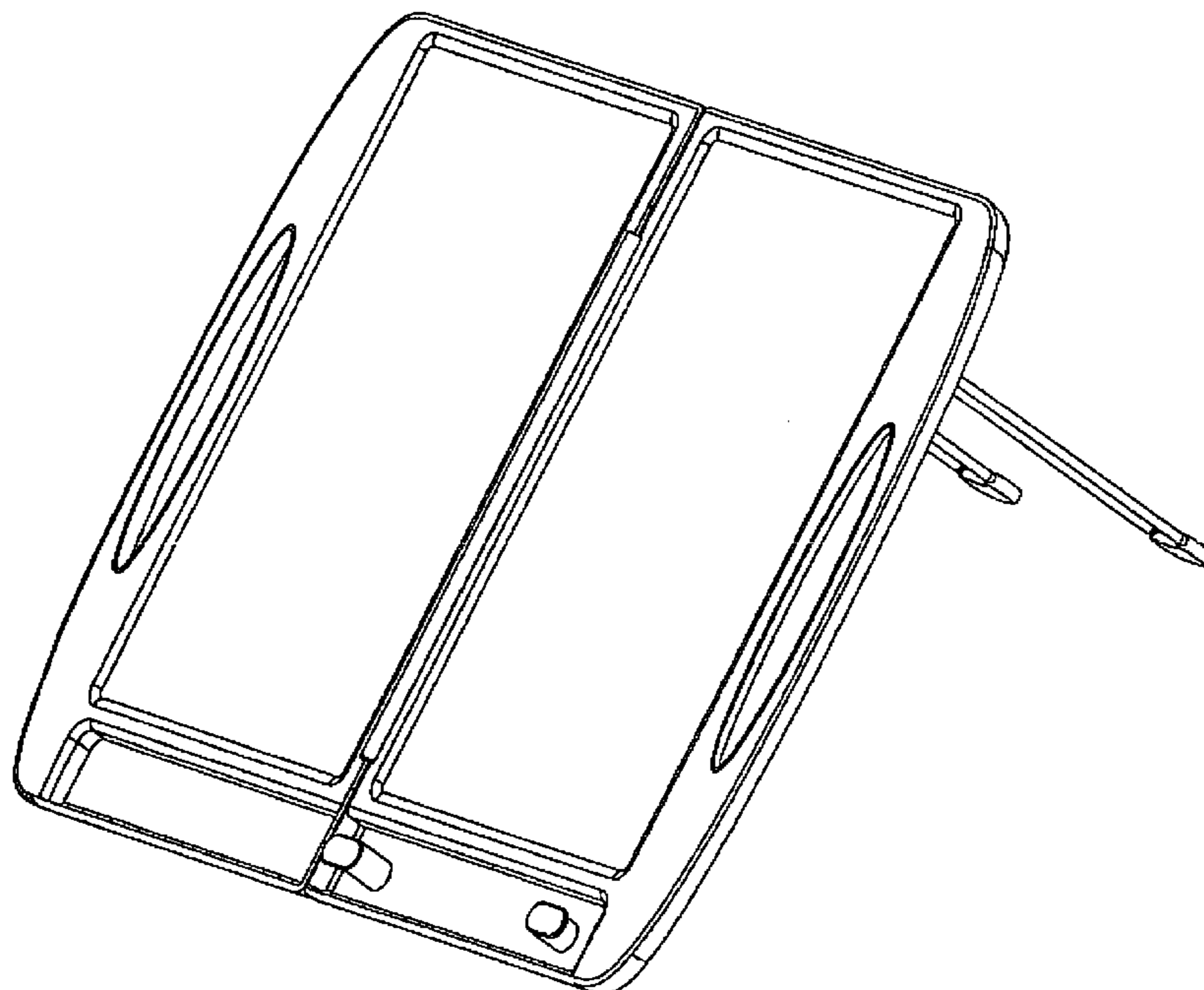
FIG. 14 is a back view thereof.

(56) **References Cited**

U.S. PATENT DOCUMENTS

- D311,722 S * 10/1990 Cheng D13/102
- 5,522,943 A * 6/1996 Spencer et al. 136/245
- D391,921 S * 3/1998 Zimmer et al. D13/102
- D479,191 S * 9/2003 Peress et al. D13/102
- 6,650,085 B2 * 11/2003 Lau et al. 320/101
- D489,680 S * 5/2004 Stobart D13/107

1 Claim, 10 Drawing Sheets



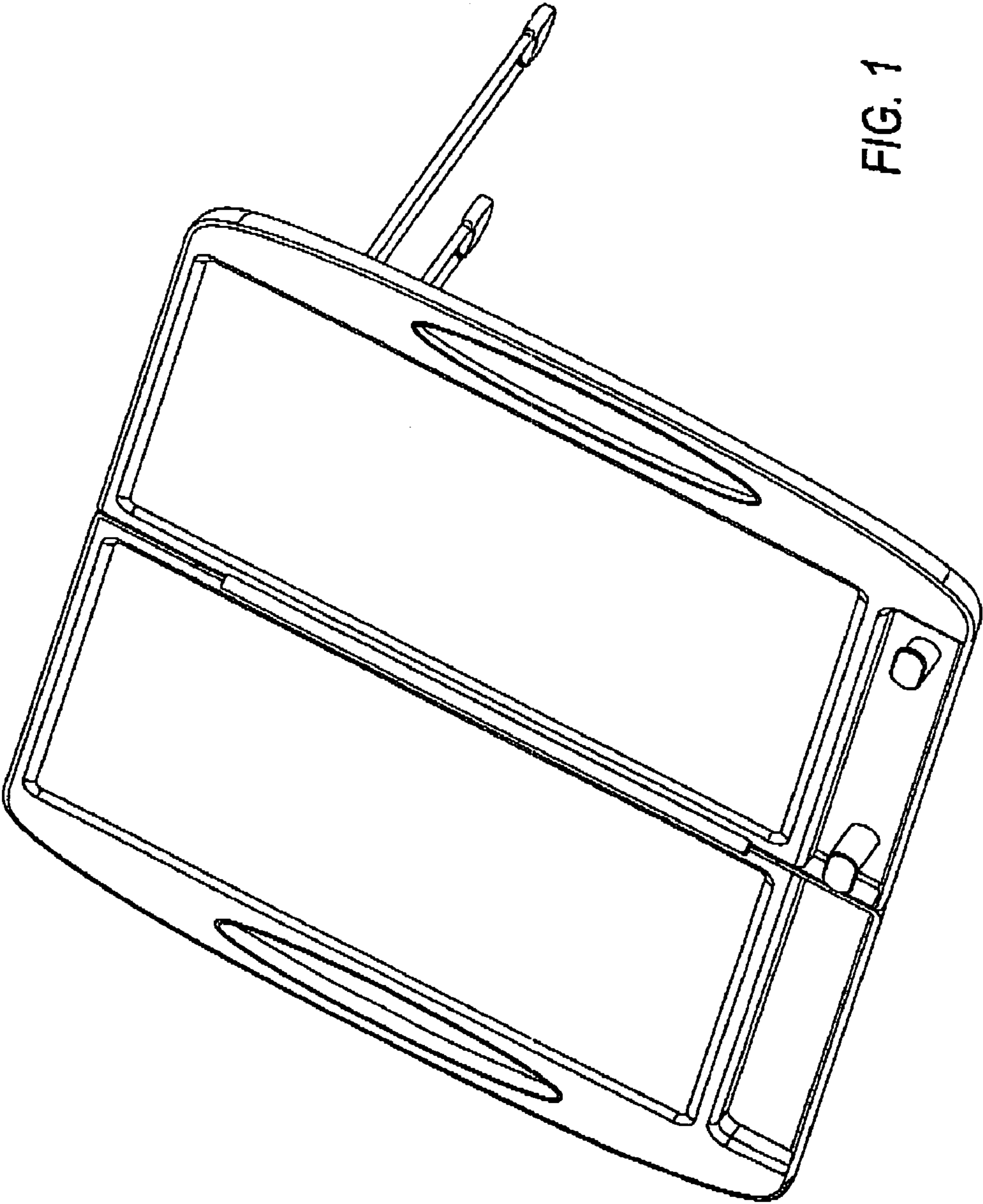
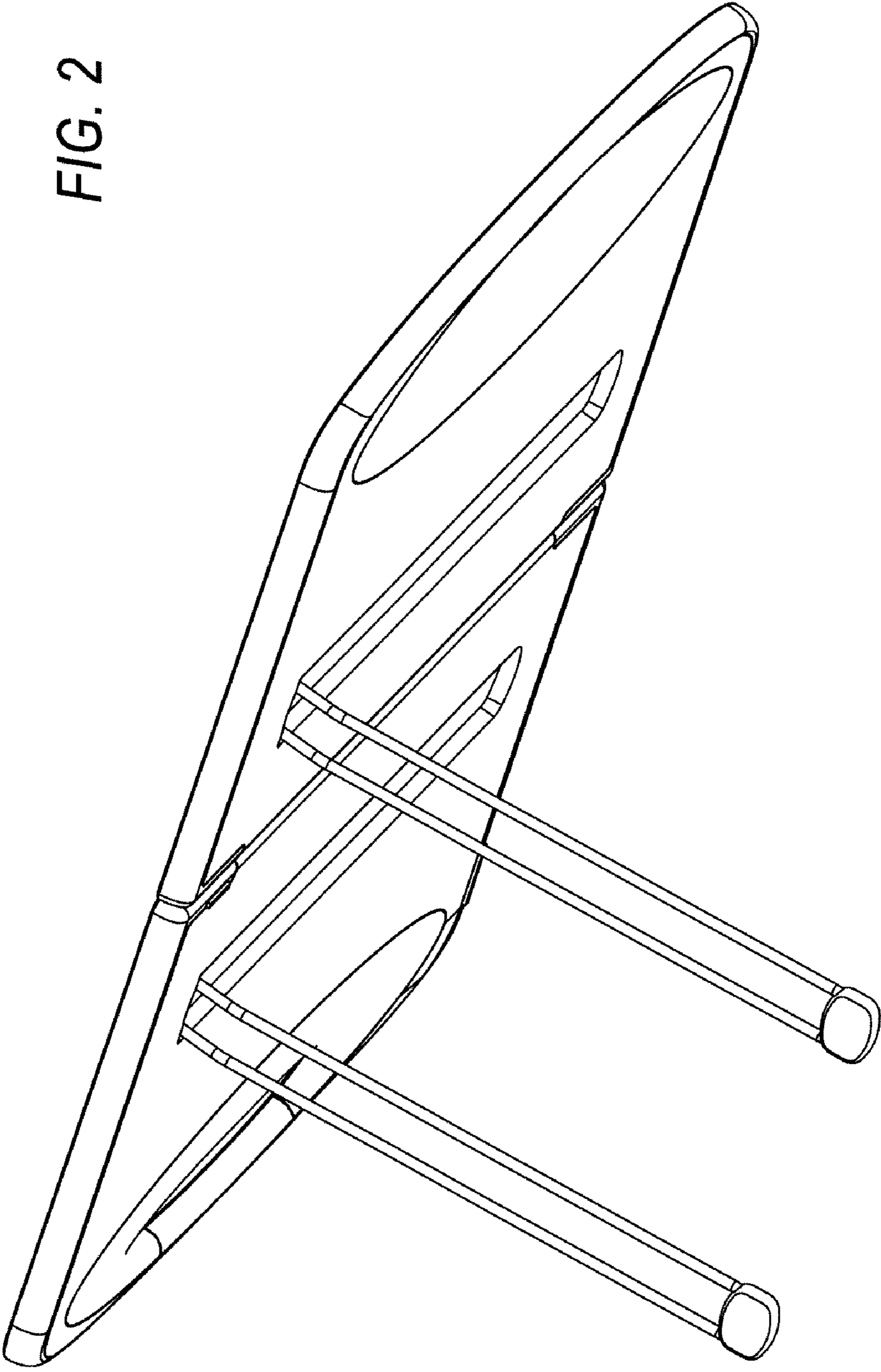


FIG. 1

FIG. 2



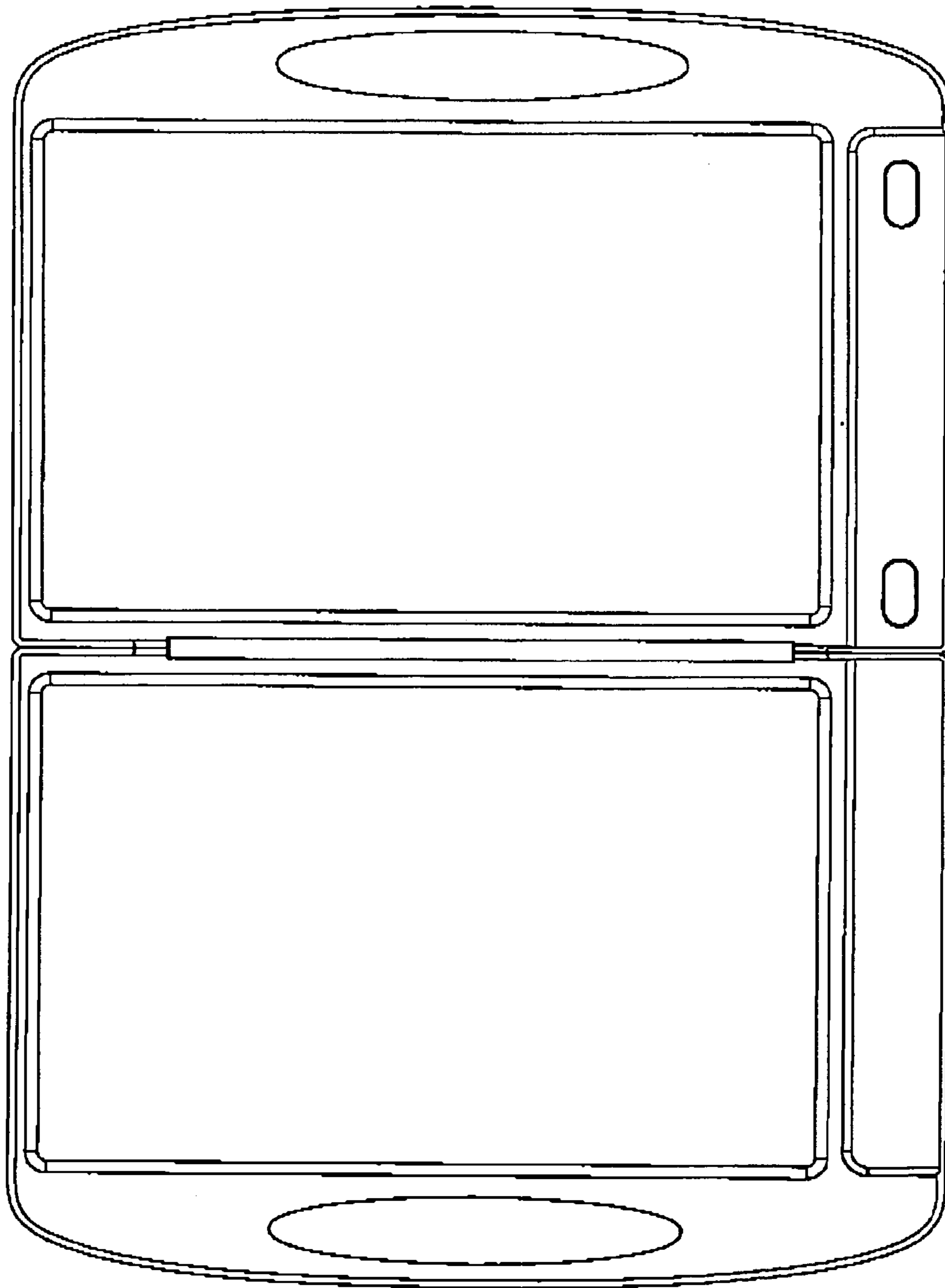


FIG. 3

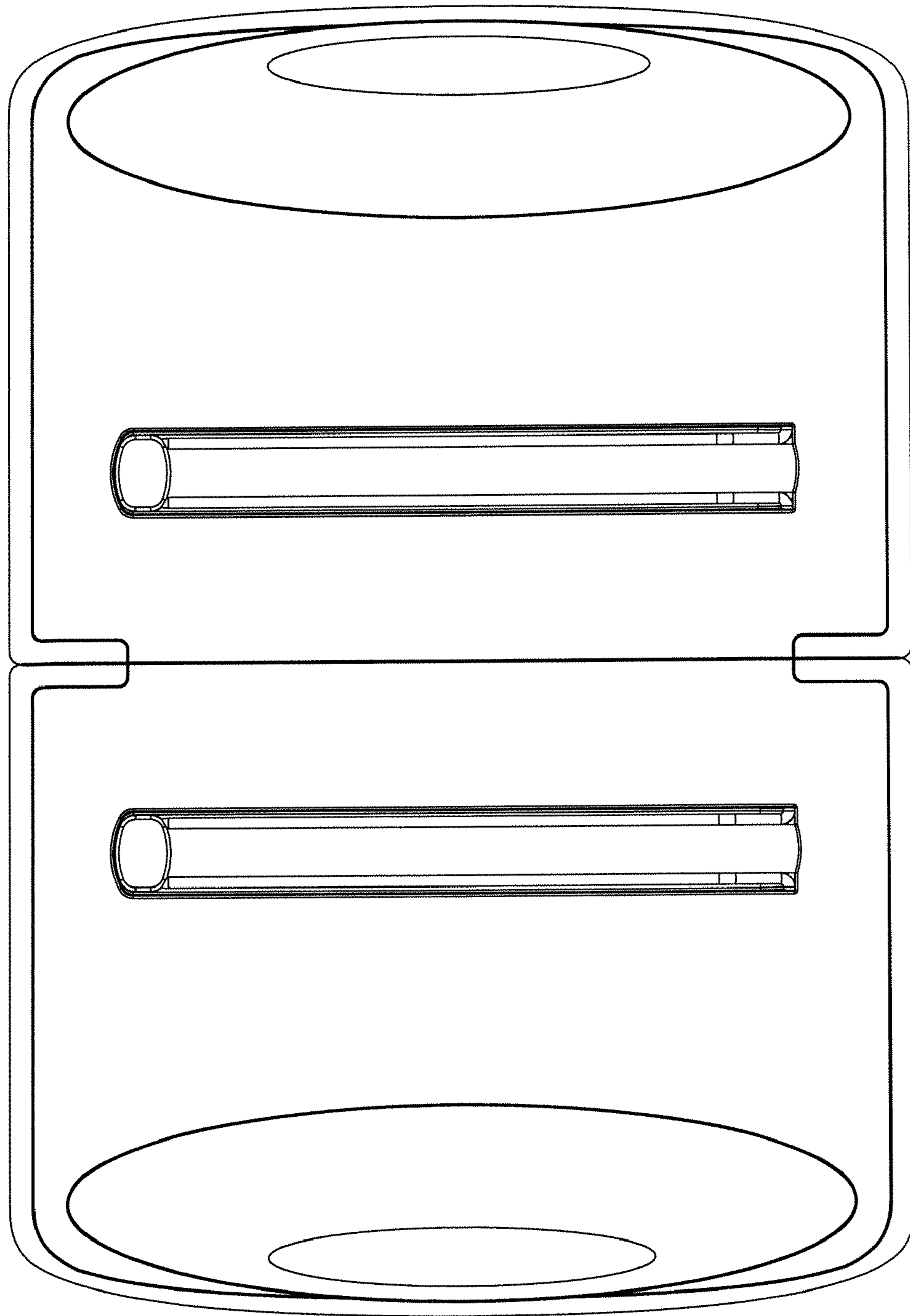


FIG. 4

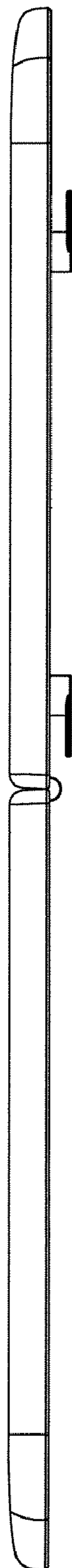


FIG. 5



FIG. 6

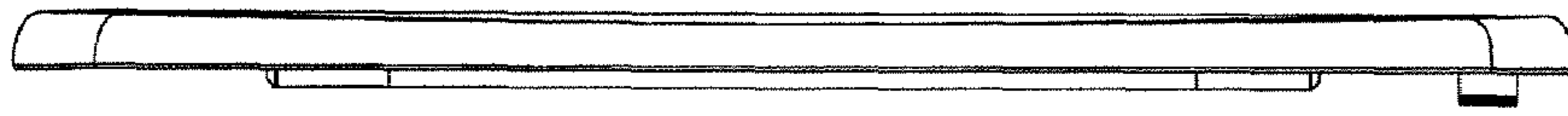


FIG. 7

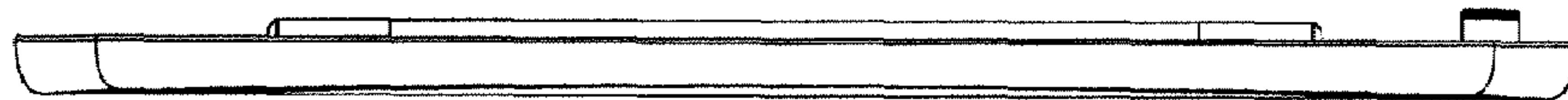


FIG. 8

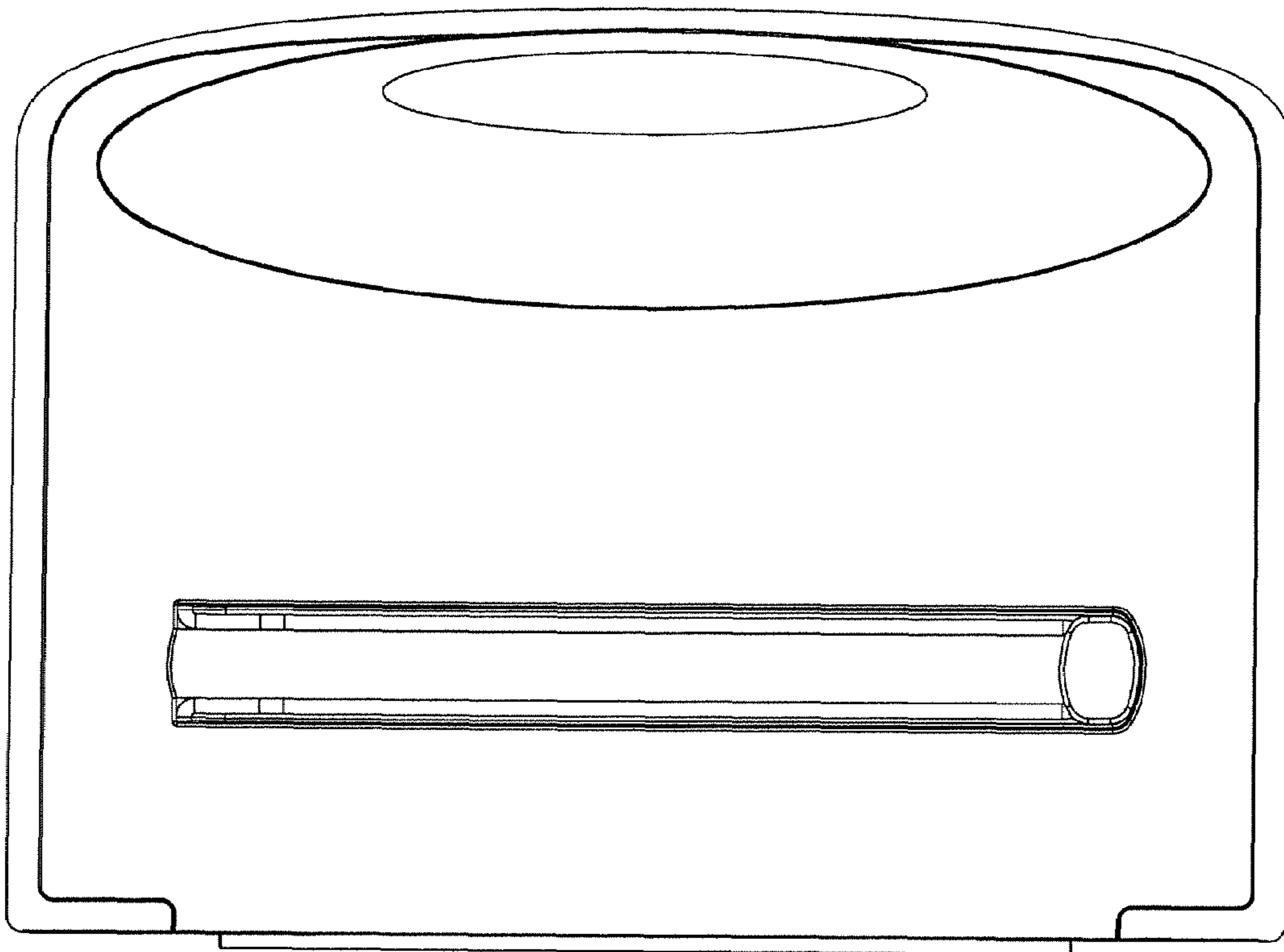


FIG. 9

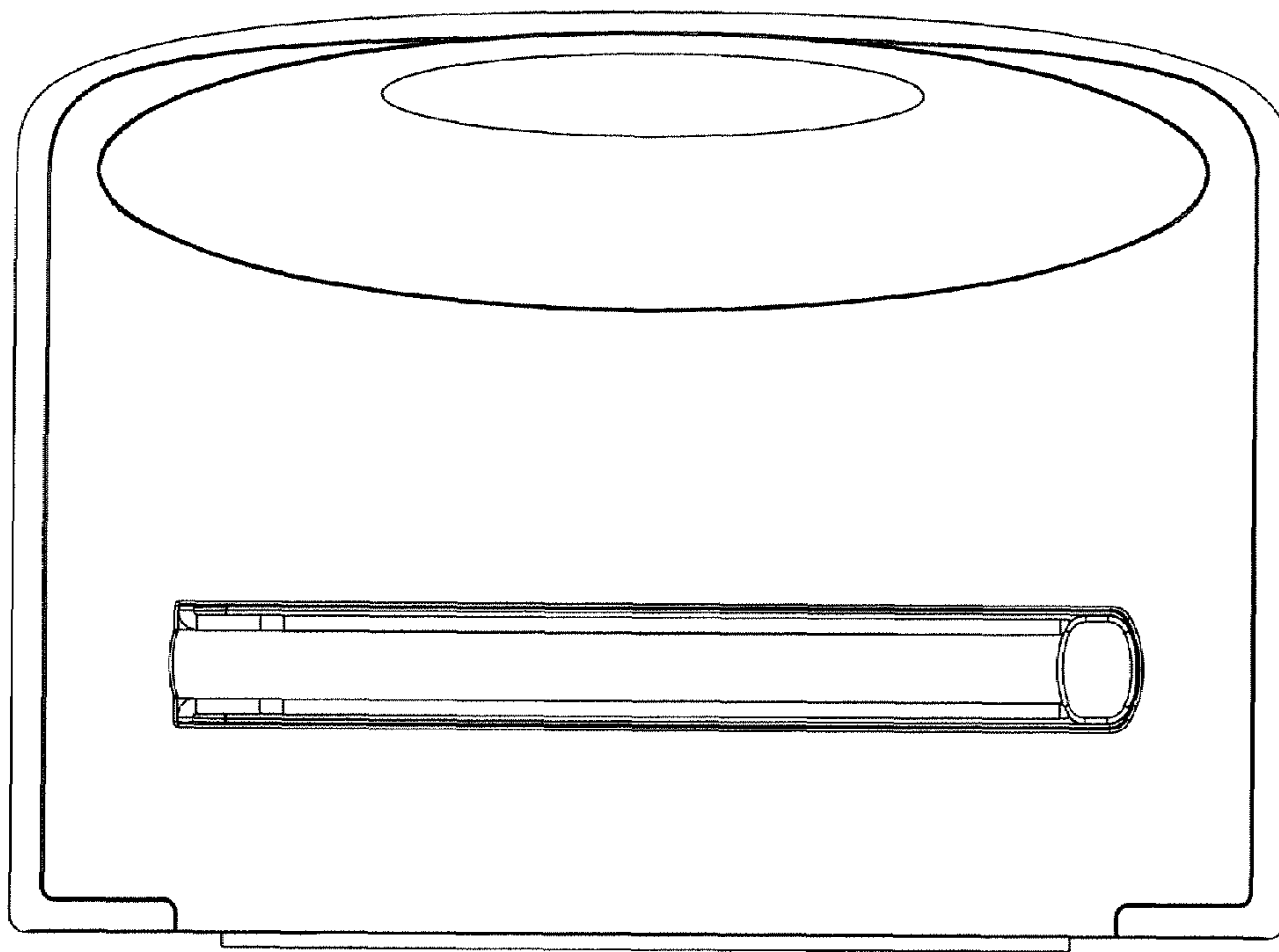


FIG. 10

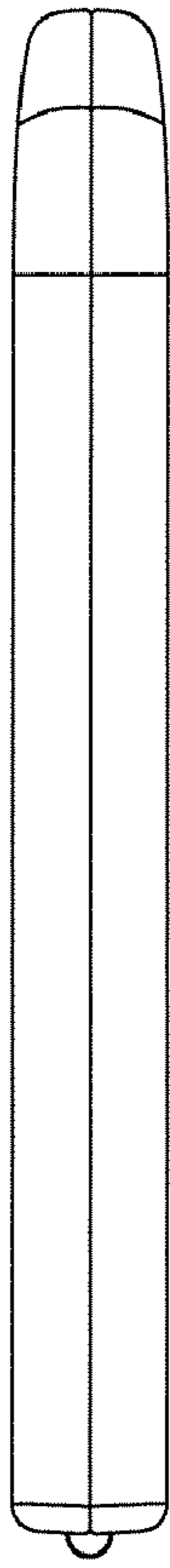


FIG. 11

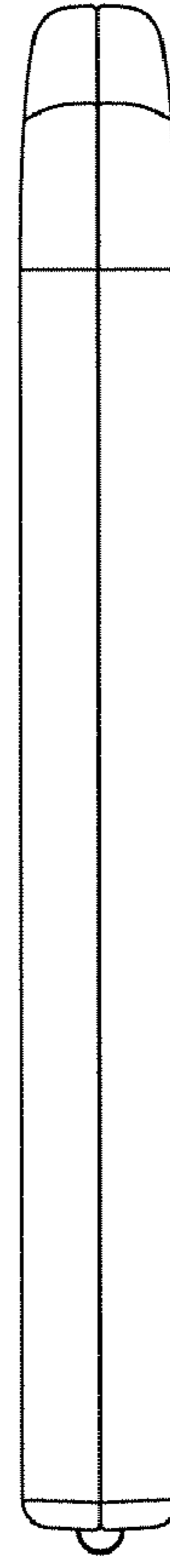


FIG. 12

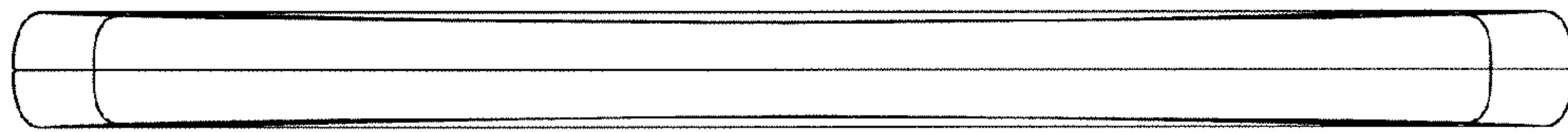


FIG. 13

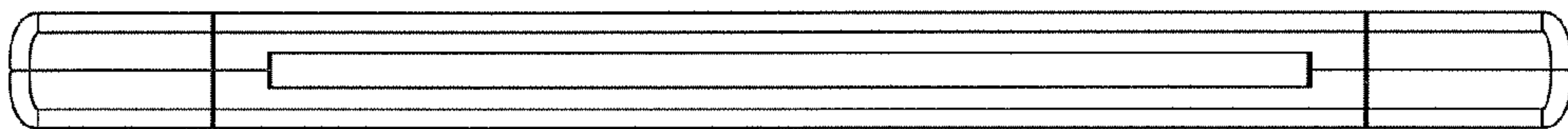


FIG. 14