



US00D599285S

(12) **United States Design Patent**
Misumi

(10) **Patent No.:** **US D599,285 S**

(45) **Date of Patent:** **** Sep. 1, 2009**

(54) **SIDEWALL ELEMENT**

(75) Inventor: **Hideki Misumi**, Hyodo (JP)

(73) Assignee: **The Goodyear Tire & Rubber Company**, Akron, OH (US)

(**) Term: **14 Years**

(21) Appl. No.: **29/332,748**

(22) Filed: **Feb. 25, 2009**

(30) **Foreign Application Priority Data**

Oct. 3, 2008 (JP) 2008-025523

(51) **LOC (9) Cl.** **12-15**

(52) **U.S. Cl.** **D12/605**

(58) **Field of Classification Search** D12/500-501,
D12/544, 579, 600, 601, 605; 152/523-524,
152/DIG. 12, 555; 40/587, 596

See application file for complete search history.

(56) **References Cited**

U.S. PATENT DOCUMENTS

D385,834 S	11/1997	Ratliff, Jr.	D12/152
D479,190 S	* 9/2003	Maxwell	D12/605
D481,988 S	* 11/2003	Wachendorf	D12/500
D483,010 S	* 12/2003	Maxwell	D12/605
D542,219 S	* 5/2007	Shondel et al.	D12/605

D542,220 S	5/2007	Shondel et al.	D12/605
D544,831 S	* 6/2007	Kikkawa et al.	D12/605
D549,165 S	8/2007	Shondel et al.	D12/605
D569,336 S	* 5/2008	Onoe	D12/605
D569,791 S	* 5/2008	Iwabuchi et al.	D12/605
D574,766 S	* 8/2008	Iwabuchi et al.	D12/605
D576,544 S	* 9/2008	Onoe	D12/605
D577,662 S	* 9/2008	Umstot et al.	D12/605

* cited by examiner

Primary Examiner—Stacia Cadmus

(74) *Attorney, Agent, or Firm*—Richard B. O’Planick

(57) **CLAIM**

The ornamental design for a sidewall element, as shown and described.

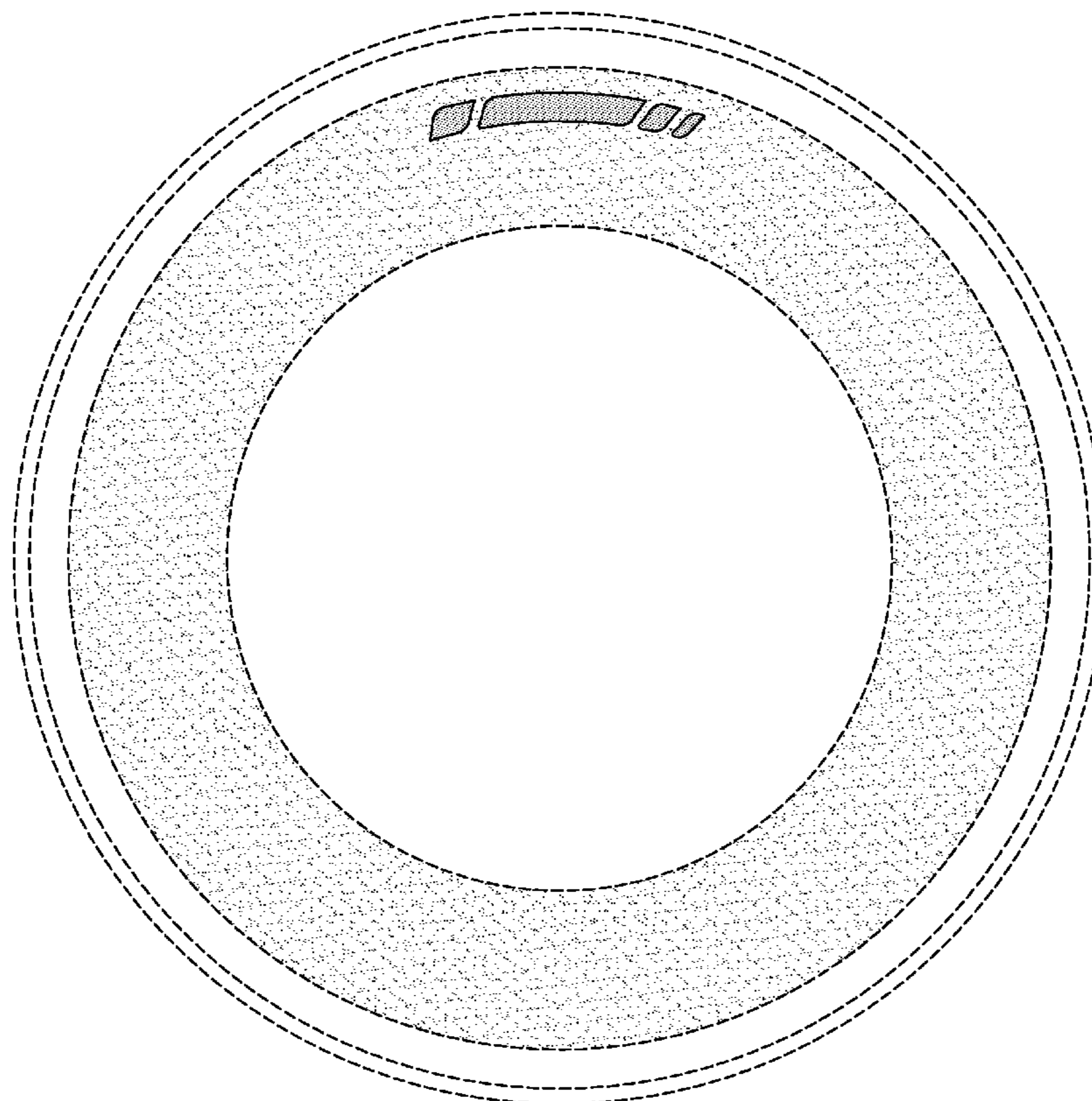
DESCRIPTION

FIG. 1 is a front elevational view of a sidewall element showing my new design; and,

FIG. 2 is a front elevational view of a second embodiment thereof showing the disclaimed portions of FIG. 1 in solid lines.

In the drawings, the broken lines showing of the tire tread, inner bead and the peripheral boundary between the tire tread and the sidewall in FIG. 1 depict environmental subject matter and form no part of the claim.

1 Claim, 2 Drawing Sheets



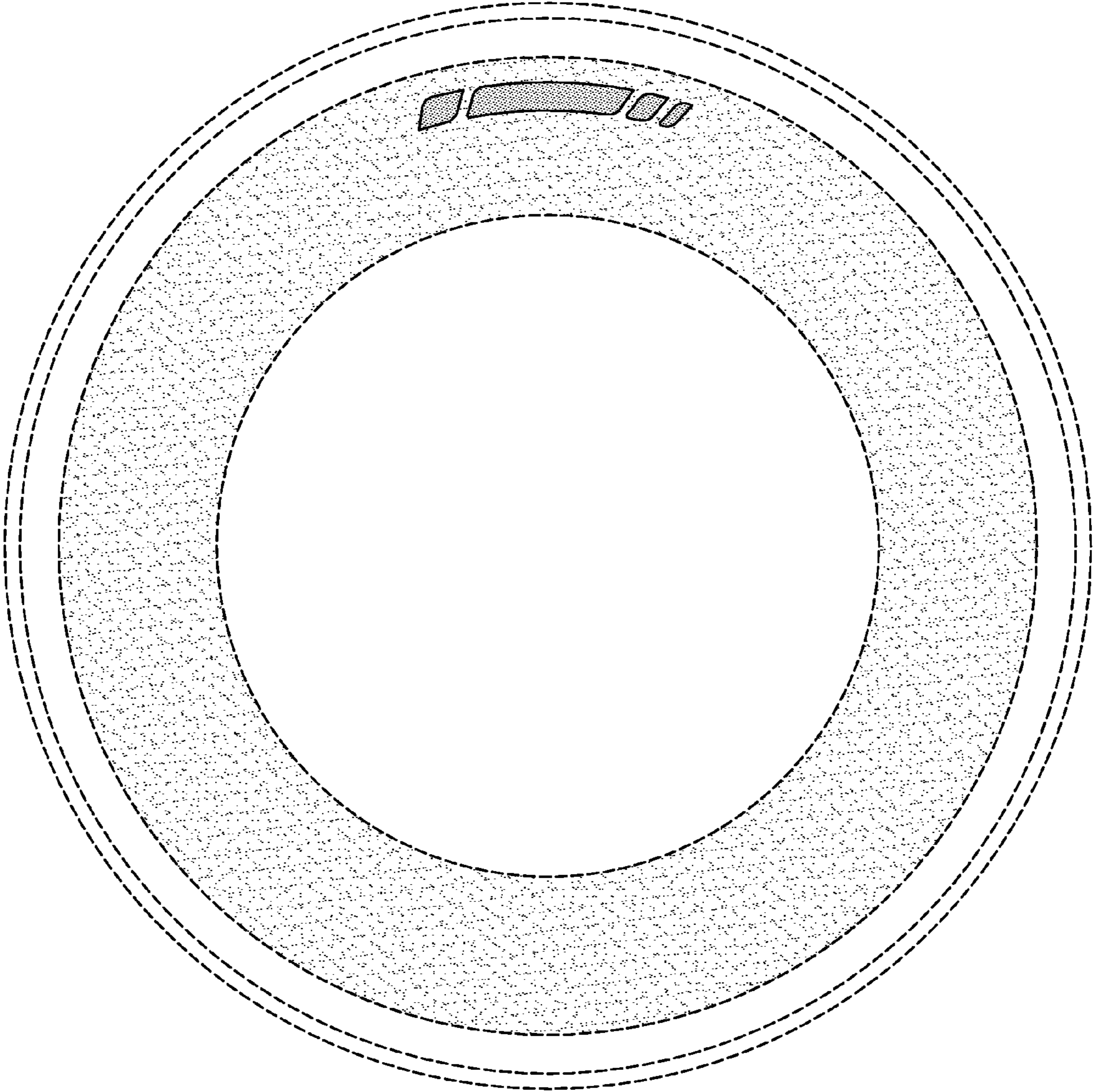


FIG-1

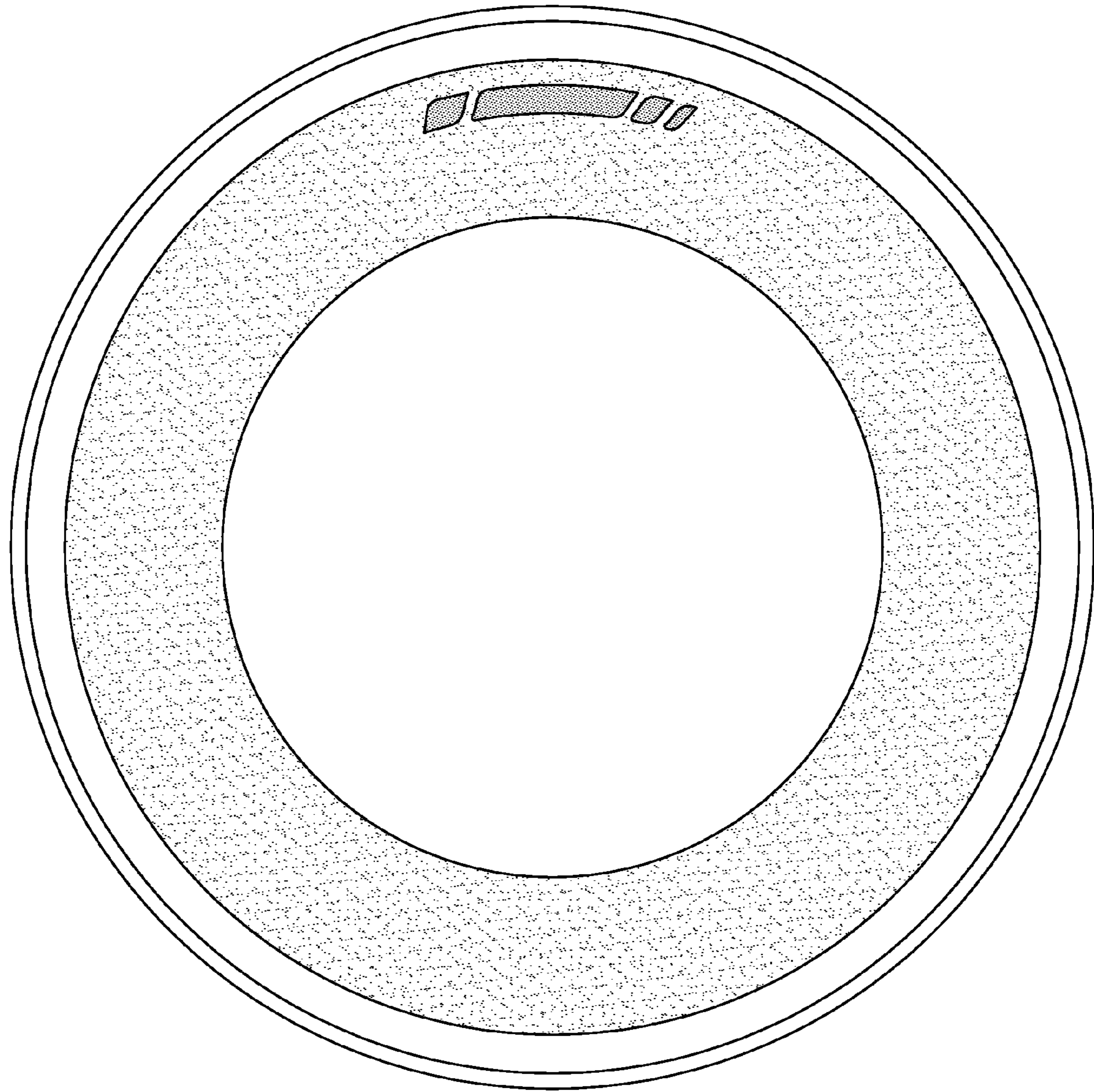


FIG-2