

US00D599283S

(12) **United States Design Patent**
Umstot et al.

(10) **Patent No.:** **US D599,283 S**

(45) **Date of Patent:** **** Sep. 1, 2009**

(54) **TIRE**

(75) Inventors: **Dale Edward Umstot**, Atwater, OH (US); **Max Harold Dixon**, Kent, OH (US)

(73) Assignee: **The Goodyear Tire & Rubber Company**, Akron, OH (US)

(**) Term: **14 Years**

(21) Appl. No.: **29/306,038**

(22) Filed: **Apr. 1, 2008**

(51) **LOC (9) Cl.** **12-15**

(52) **U.S. Cl.** **D12/600**

(58) **Field of Classification Search** D12/512,
D12/568, 580-603, 900-901, 579; 152/209.1,
152/209.8-209.18, 209.25-209.28

See application file for complete search history.

(56) **References Cited**

U.S. PATENT DOCUMENTS

D397,650 S	9/1998	Himuro	D12/147
D410,218 S	5/1999	Hitzky et al.	D12/147
D414,728 S	* 10/1999	Gerresheim et al.	D12/900
D441,696 S	5/2001	Fierro et al.	D12/147
D504,388 S	4/2005	Umstot et al.	D12/551
D505,386 S	* 5/2005	Maxwell et al.	D12/581
D512,958 S	12/2005	Allison et al.	D12/552
D517,980 S	* 3/2006	Umstot et al.	D12/600
D528,068 S	* 9/2006	Umstot et al.	D12/600
D530,267 S	* 10/2006	Umstot et al.	D12/600
D531,114 S	* 10/2006	Dixon et al.	D12/587
D531,573 S	* 11/2006	Bedont et al.	D12/600
D549,155 S	* 8/2007	Umstot et al.	D12/579
D549,156 S	* 8/2007	Umstot et al.	D12/579
D549,161 S	* 8/2007	Morrison et al.	D12/600

D549,164 S	* 8/2007	Kantura et al.	D12/601
D563,862 S	* 3/2008	Morrison et al.	D12/579
D583,311 S	* 12/2008	Bonko et al.	D12/588

* cited by examiner

Primary Examiner—Stacia Cadmus

(74) *Attorney, Agent, or Firm*—Richard B. O’Planick

(57) **CLAIM**

The ornamental design for a tire, as shown and described.

DESCRIPTION

FIG. 1 is a perspective view of a tire showing our new design, it being understood that the pattern repeats uniformly throughout the circumference of the tread;

FIG. 2 is a front elevational view thereof;

FIG. 3 is a right side elevational view thereof; the opposite side elevational view being identical thereto;

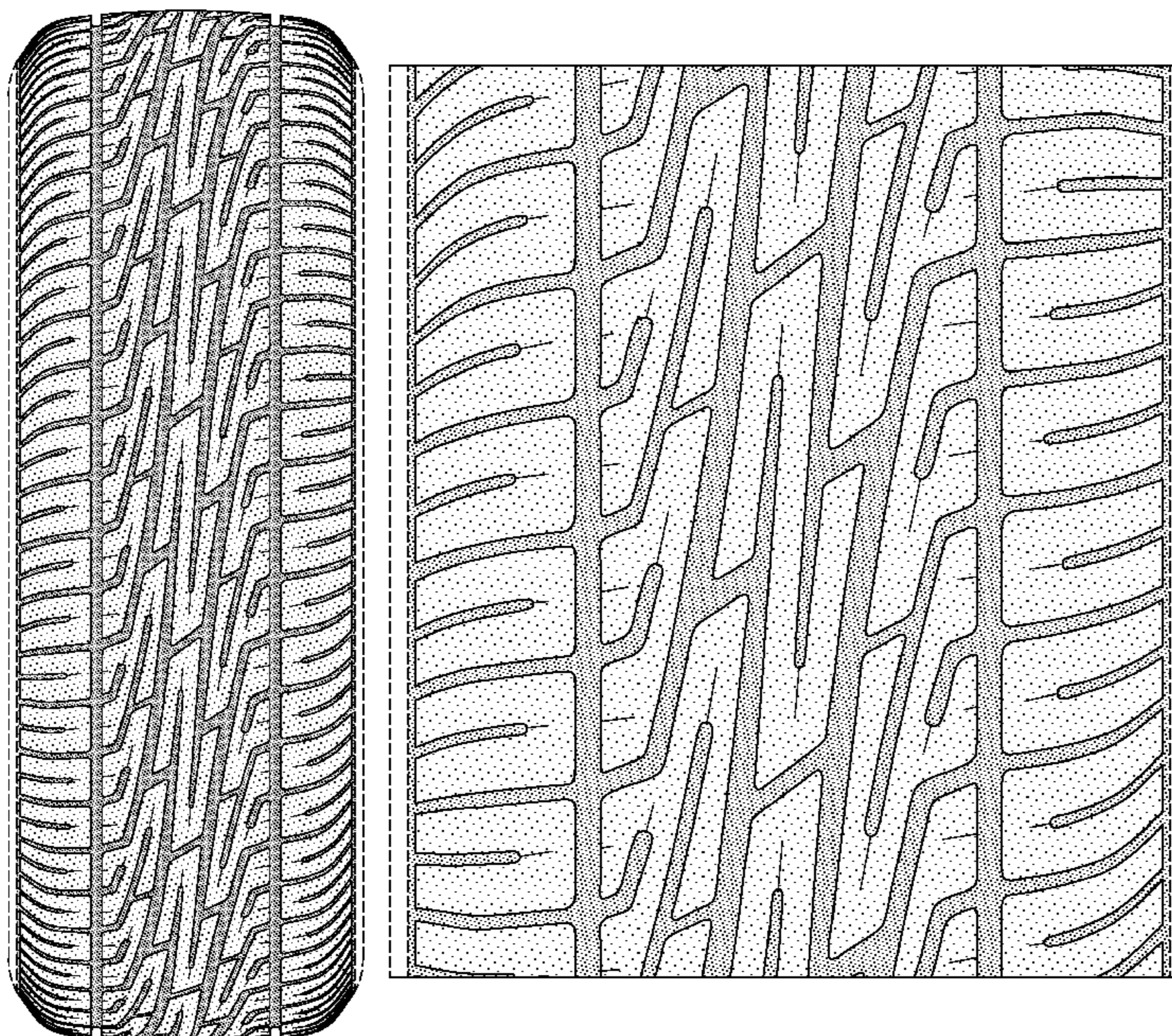
FIG. 4 is an enlarged fragmentary front elevational view thereof;

FIG. 5 is a perspective view of a second embodiment of a tire showing our new design, it being understood that the pattern repeats uniformly throughout the circumference of the tread and that the opposite side perspective view is identical thereto; and,

FIG. 6 is a front elevational view of a second embodiment, it being understood that an enlarged fragmentary view thereof would be substantially identical to that shown in FIG. 4, with the exception of the inclusion of the sidewall in solid lines.

In the drawings, the broken lines defining the sidewall, inner bead and the peripheral boundary between the claimed tire tread and the unclaimed sidewall depict environmental subject matter that forms no part of the claimed design.

1 Claim, 6 Drawing Sheets



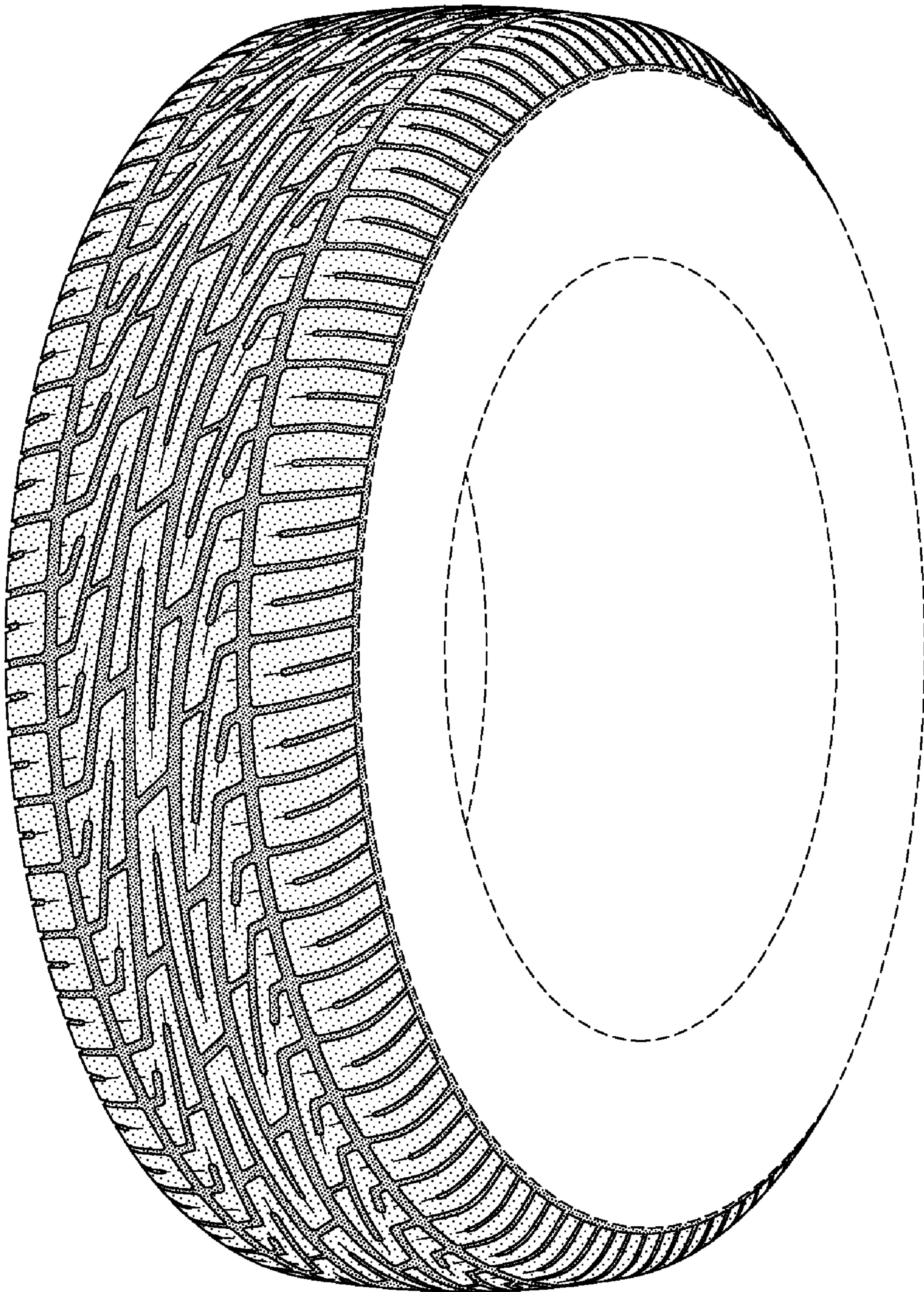


FIG-1

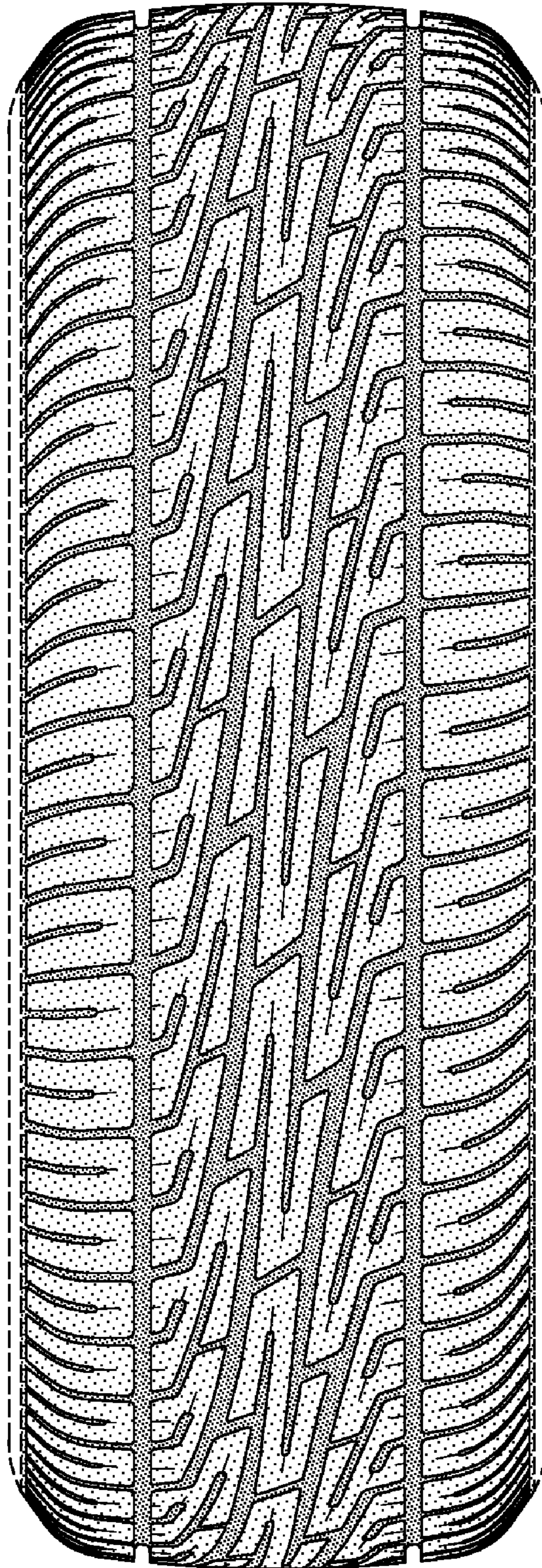


FIG-2

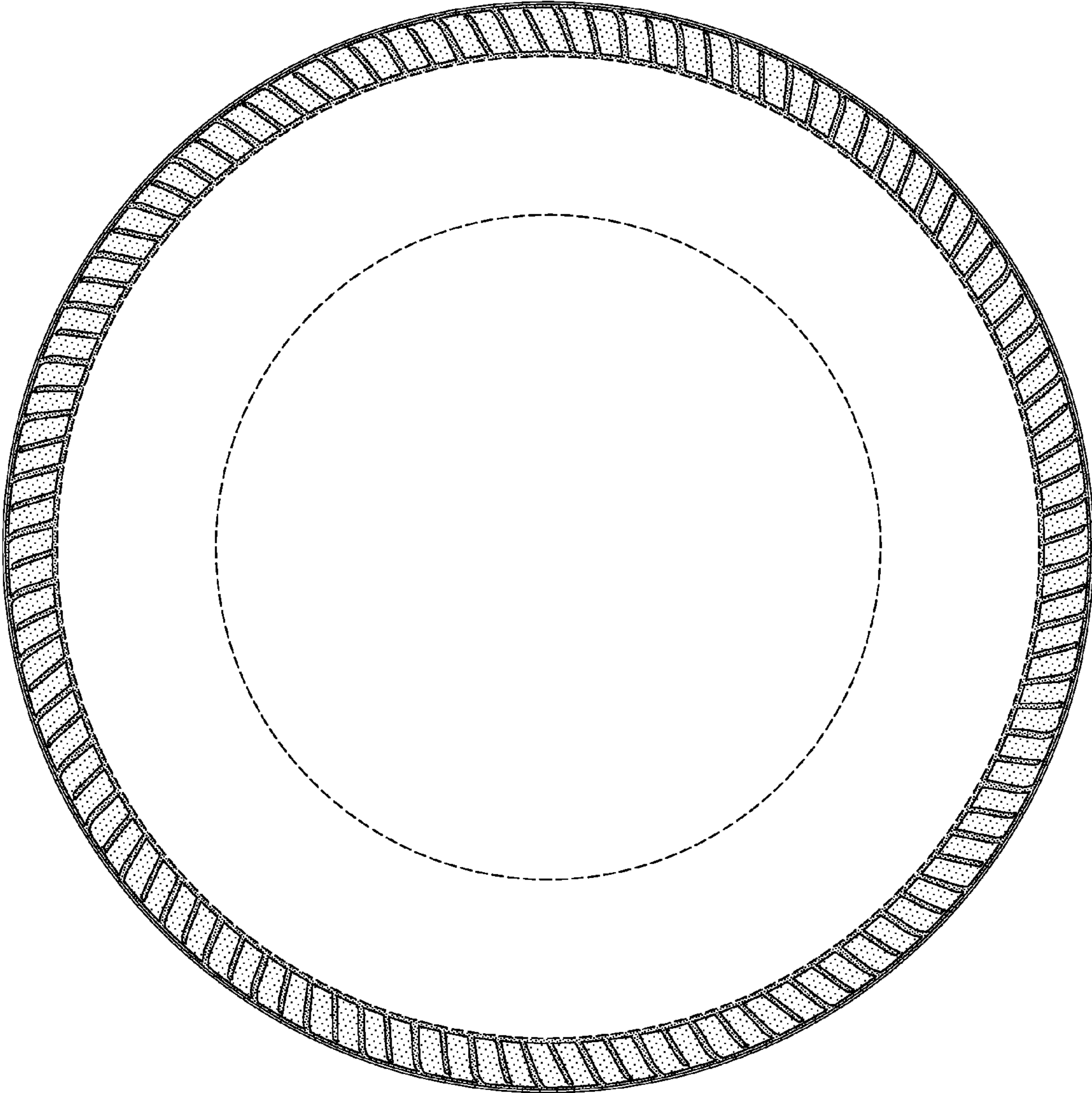


FIG-3

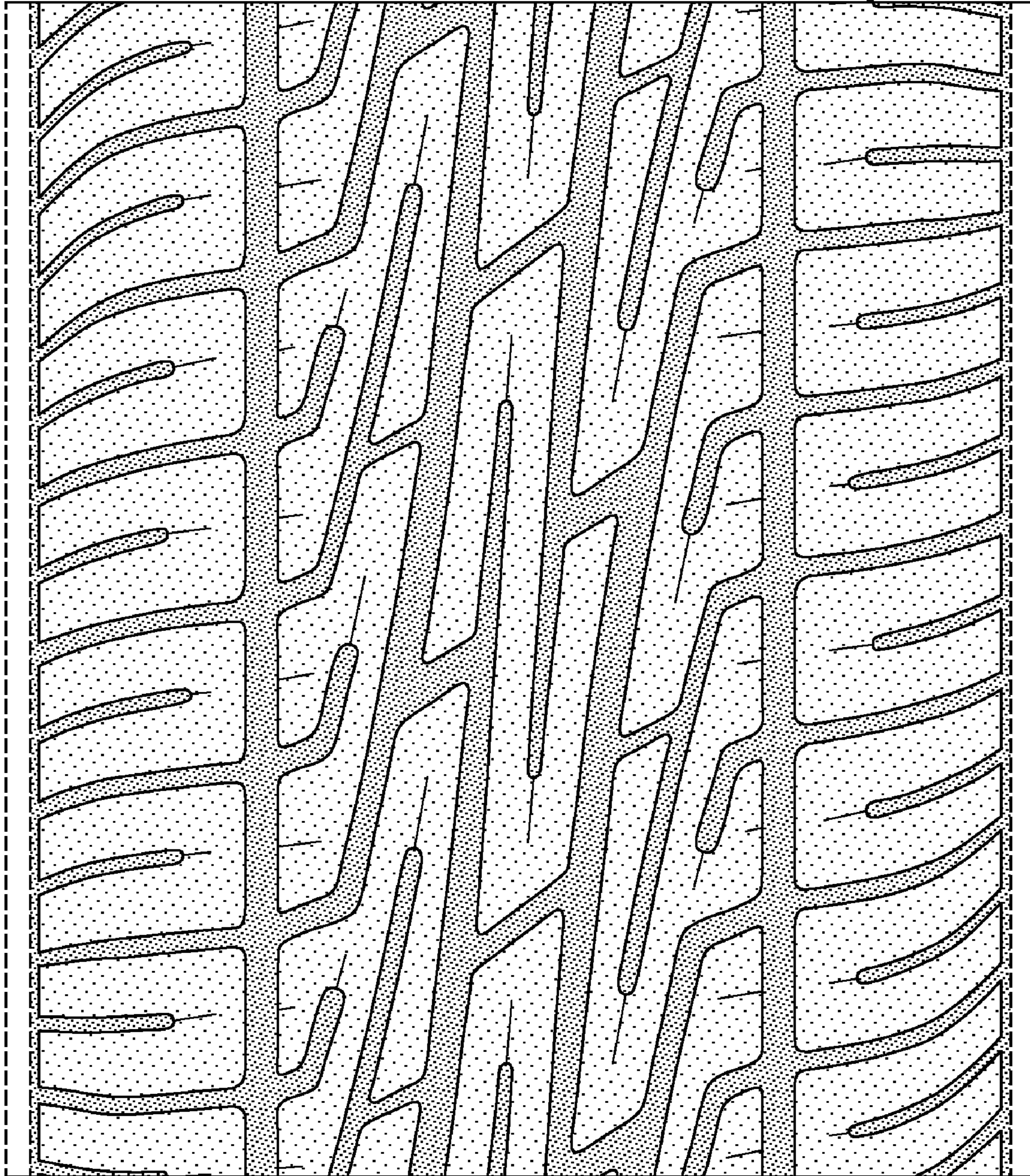


FIG-4

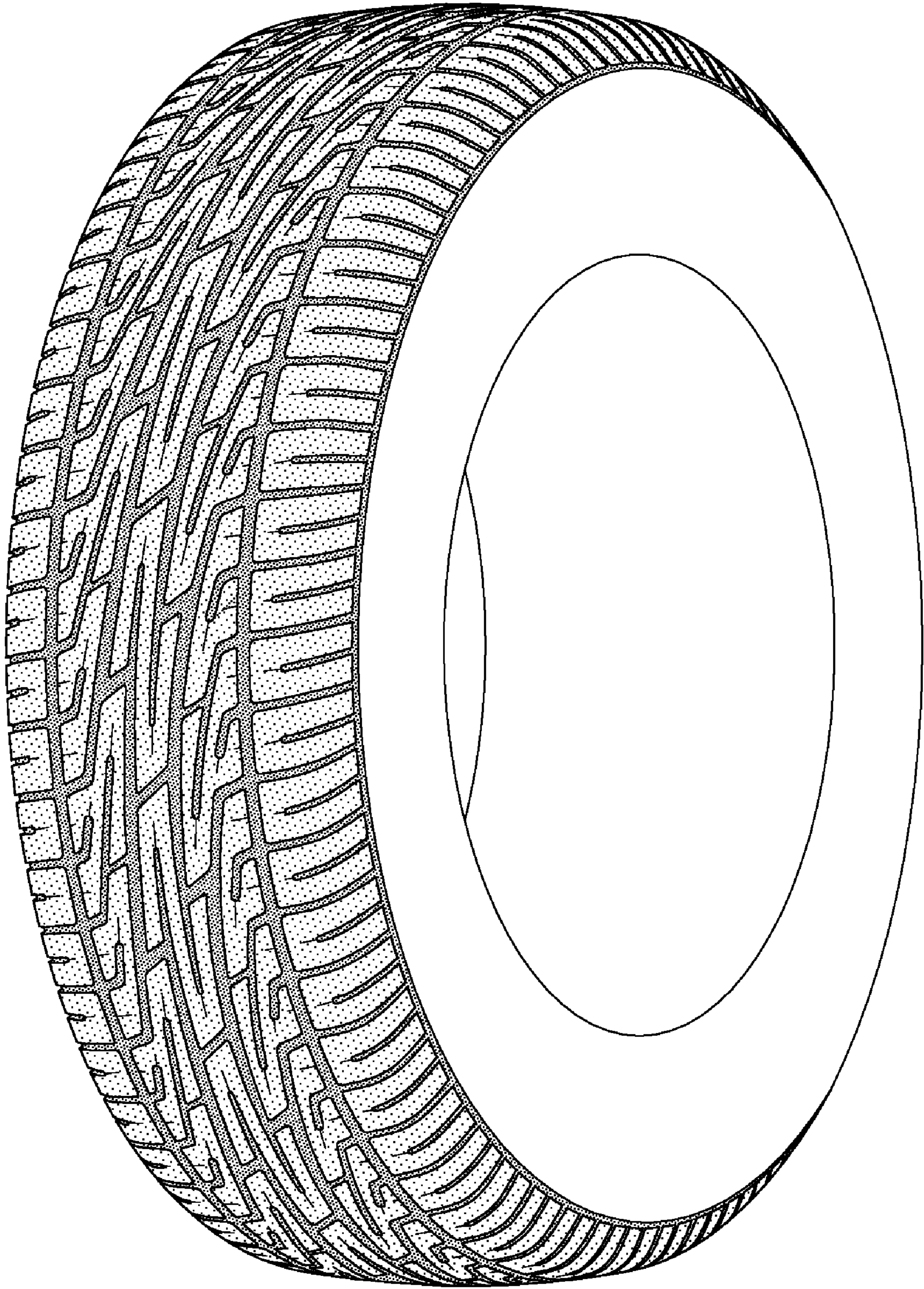


FIG-5

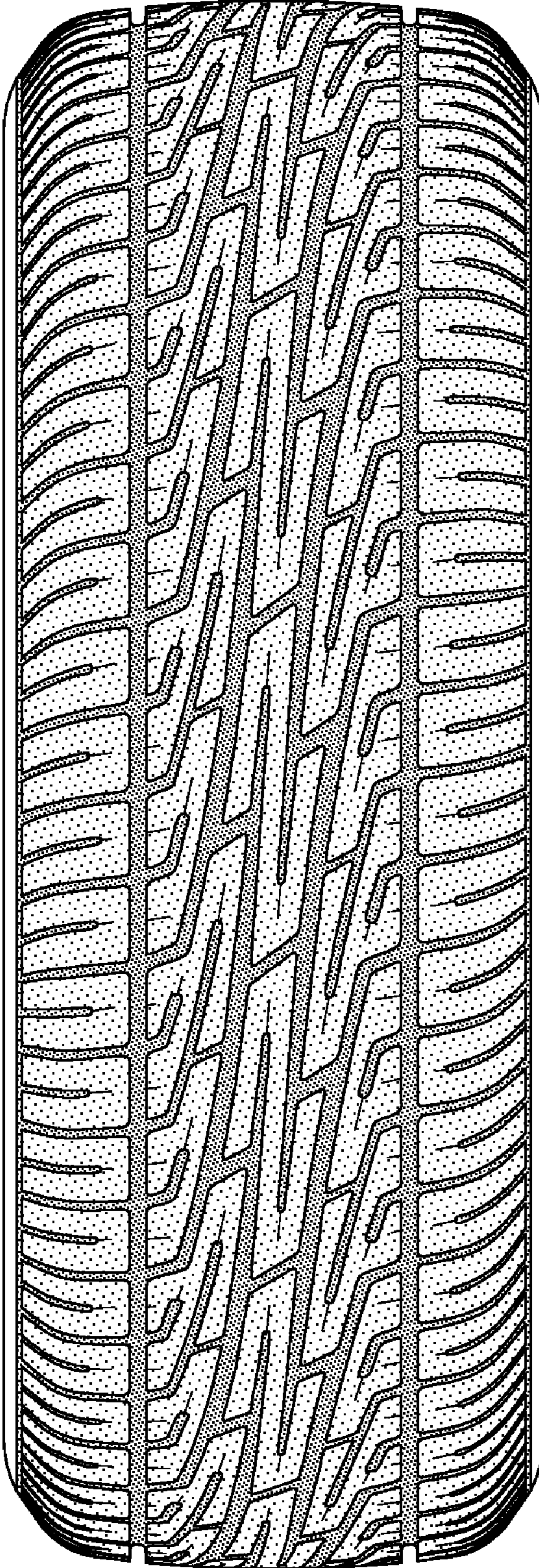


FIG-6