



US00D599278S

(12) **United States Design Patent**
Miyazaki

(10) **Patent No.:** **US D599,278 S**
(45) **Date of Patent:** **** Sep. 1, 2009**

(54) **AUTOMOBILE TIRE**

D582,838 S * 12/2008 Park et al. D12/524
D588,522 S * 3/2009 Matsumoto D12/531

(75) Inventor: **Tetsuji Miyazaki**, Osaka (JP)

FOREIGN PATENT DOCUMENTS

(73) Assignee: **Toyo Tire & Rubber Co., Ltd.**, Osaka (JP)

JP 1309304 S 9/2007

(**) Term: **14 Years**

* cited by examiner

(21) Appl. No.: **29/329,922**

Primary Examiner—Stacia Cadmus
(74) *Attorney, Agent, or Firm*—Westerman, Hattori, Daniels & Adrian, LLP.

(22) Filed: **Dec. 23, 2008**

(57) **CLAIM**

(30) **Foreign Application Priority Data**

Nov. 19, 2008 (JP) 2008-029728

The ornamental design for an automobile tire, as shown and described.

(51) **LOC (9) Cl.** **12-15**

(52) **U.S. Cl.** **D12/531**

(58) **Field of Classification Search** D12/501,
D12/505-532; 152/209.1, 209.8-209.18,
152/209.25-209.28, 455

See application file for complete search history.

DESCRIPTION

FIG. 1 is a front, elevation view of an automobile tire showing my new design;

FIG. 2 is a rear, elevation view thereof;

FIG. 3 is a left-side, elevation view thereof;

FIG. 4 is a right-side, elevation view thereof;

FIG. 5 is a top, plan view thereof;

FIG. 6 is a perspective view thereof;

FIG. 7 is an enlarged cross-section view taken along the line A—A in FIG. 1, in the part C—C of FIG. 4; and,

FIG. 8 is an enlarged view of the part B1—B2 in FIG. 1.

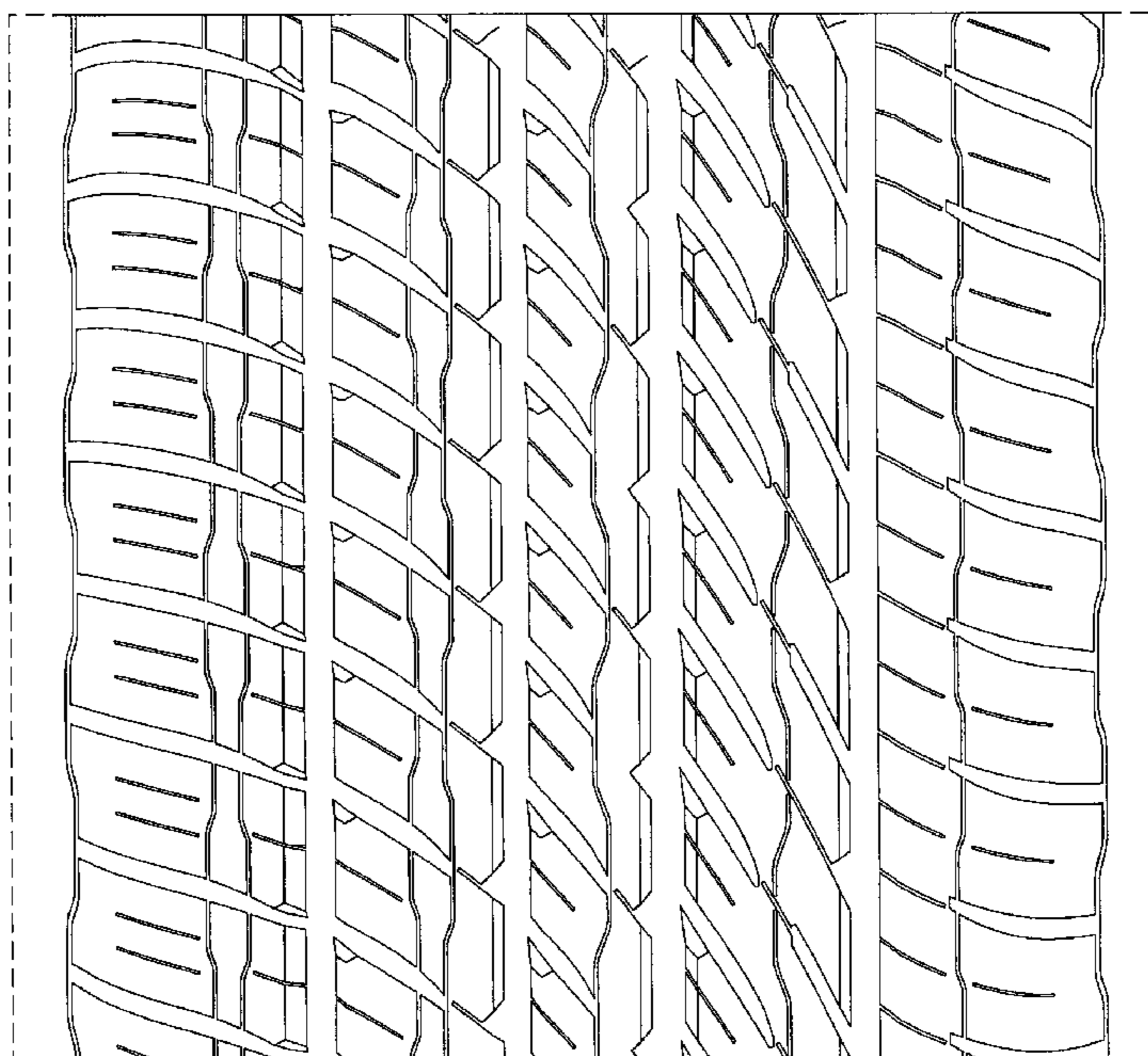
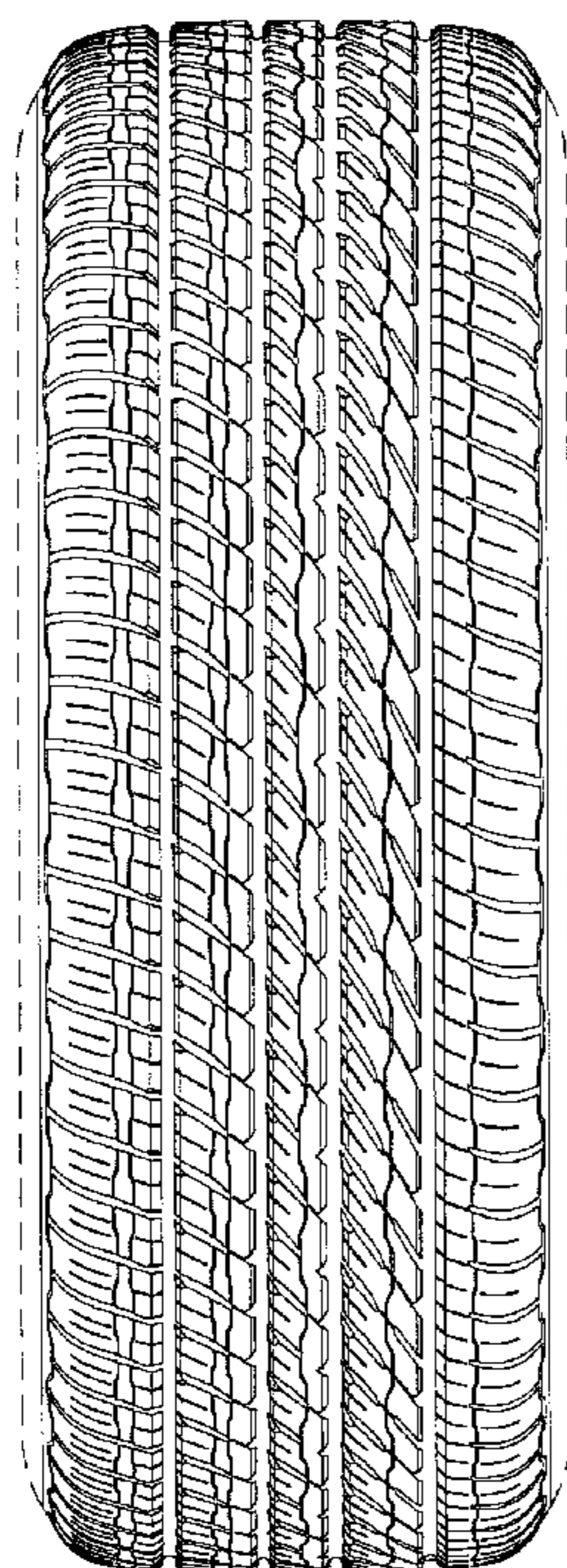
The broken lines in the drawings illustrate environmental structure and form no part of the claimed design.

(56) **References Cited**

U.S. PATENT DOCUMENTS

- D326,439 S * 5/1992 Covert et al. D12/531
- D336,068 S * 6/1993 Attinello D12/532
- D342,224 S * 12/1993 Graas et al. D12/531
- D460,402 S 7/2002 Ishida et al.
- D490,769 S * 6/2004 Diensthuber et al. D12/531
- D502,911 S * 3/2005 Sato D12/531
- D505,380 S 5/2005 Sugitani
- D515,018 S * 2/2006 Umstot et al. D12/532
- D545,264 S * 6/2007 Takahashi et al. D12/532

1 Claim, 8 Drawing Sheets



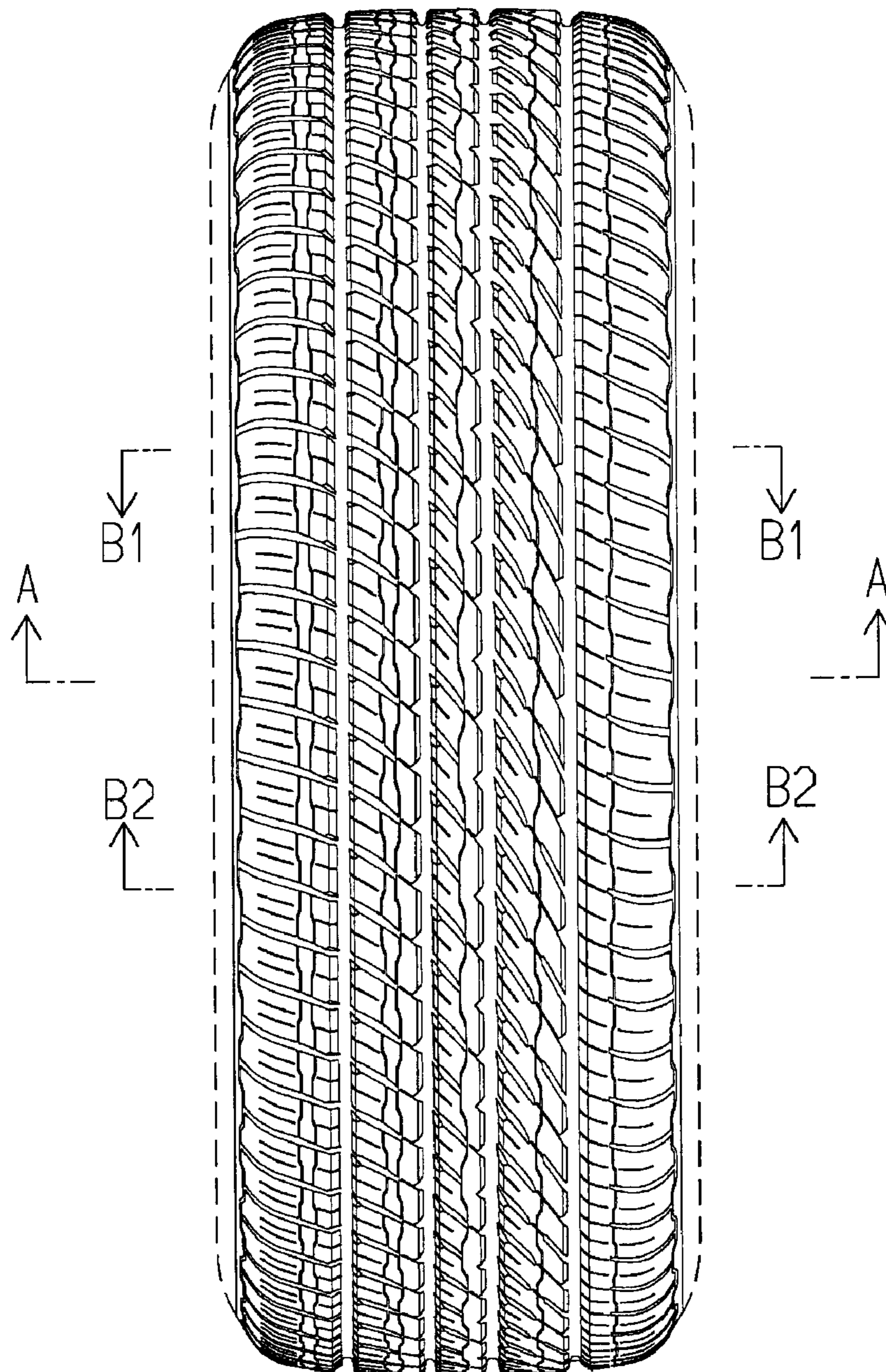


FIG.1

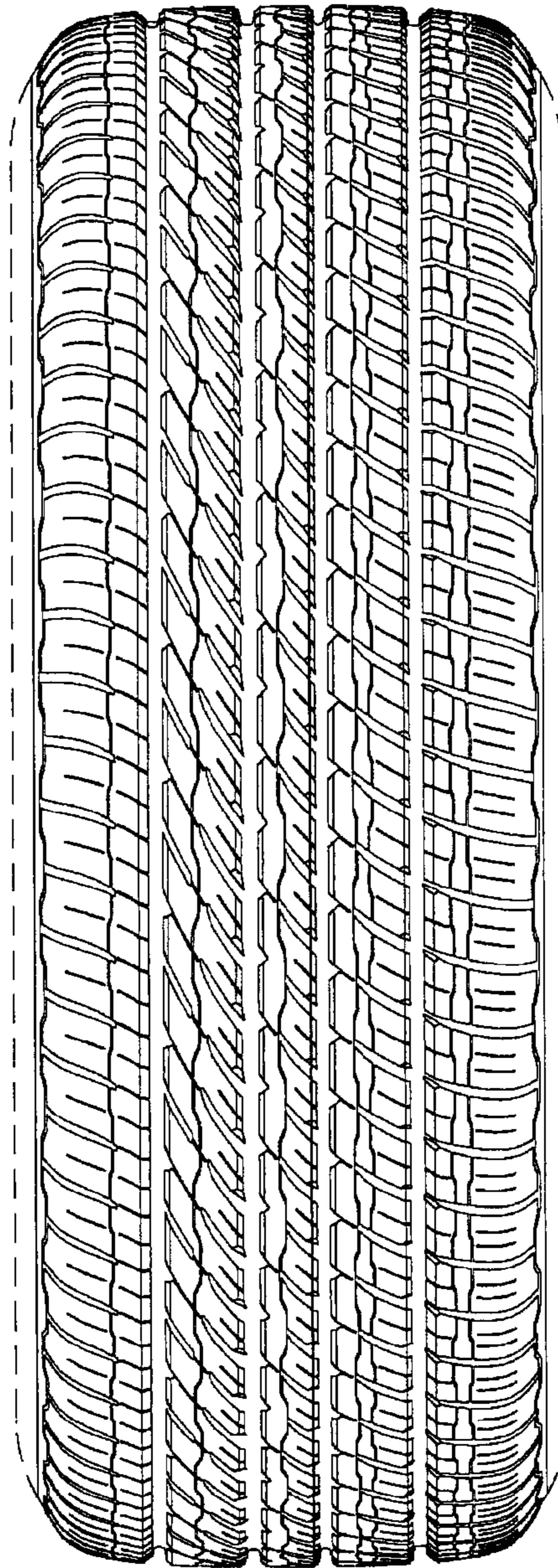


FIG.2

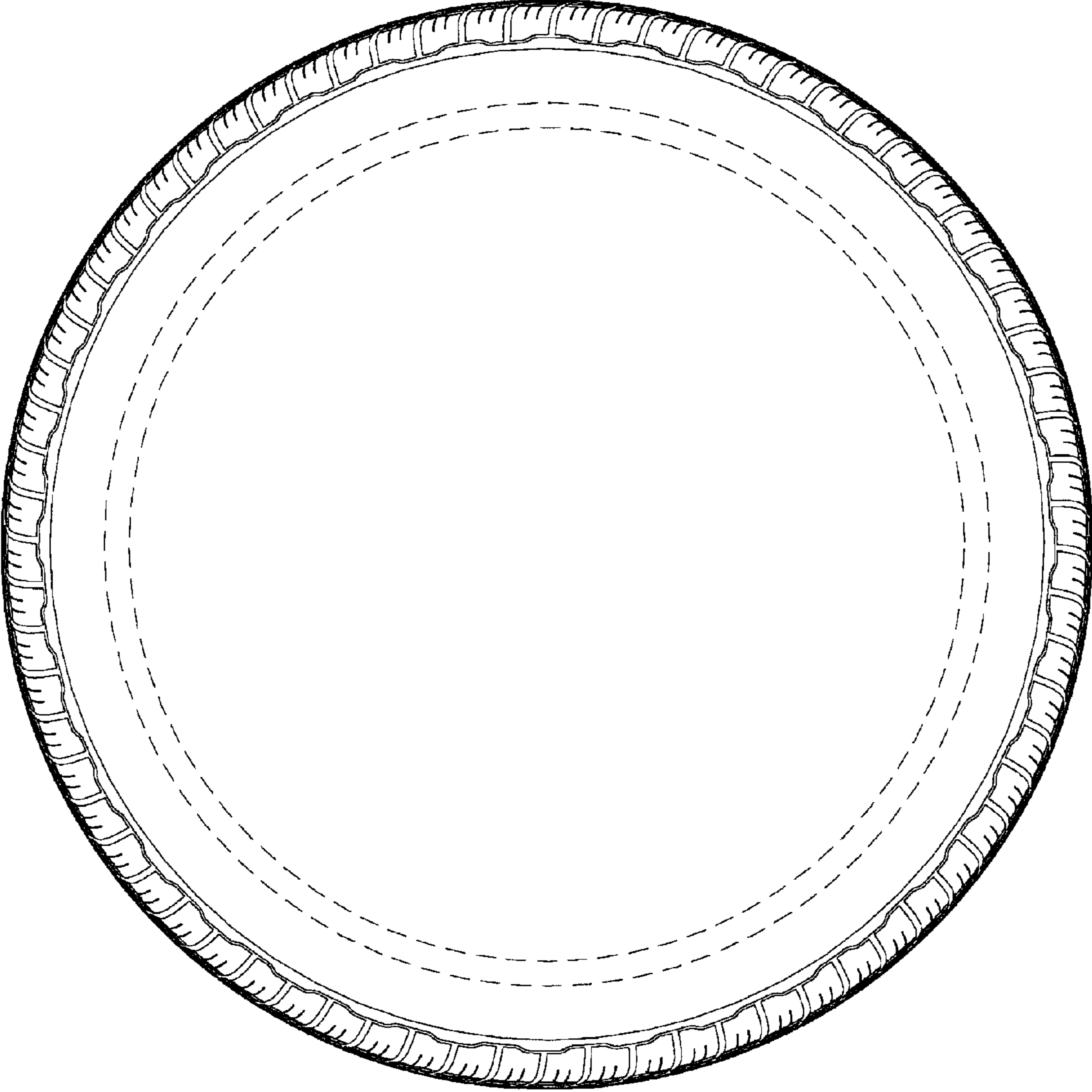


FIG.3

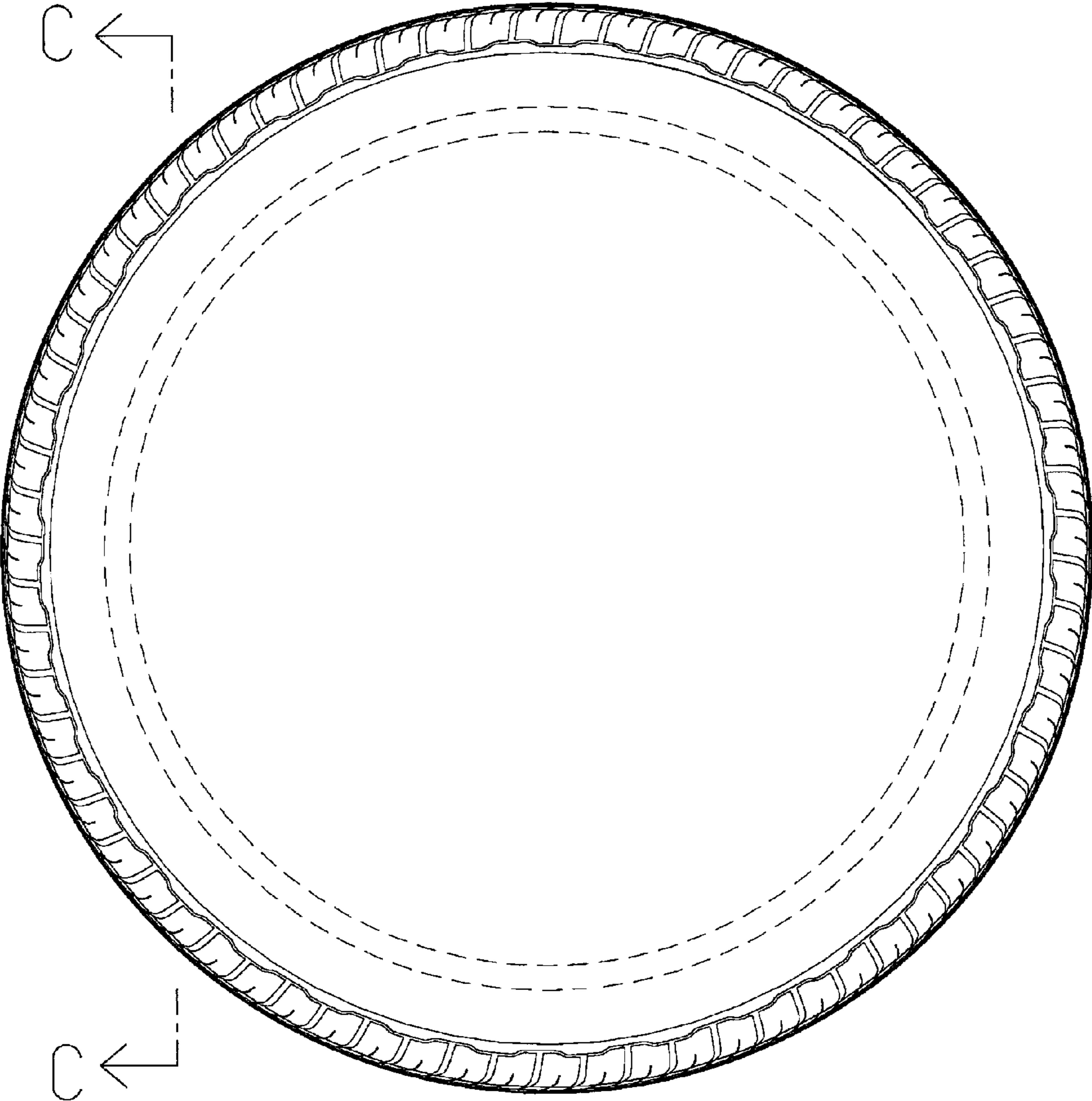


FIG.4

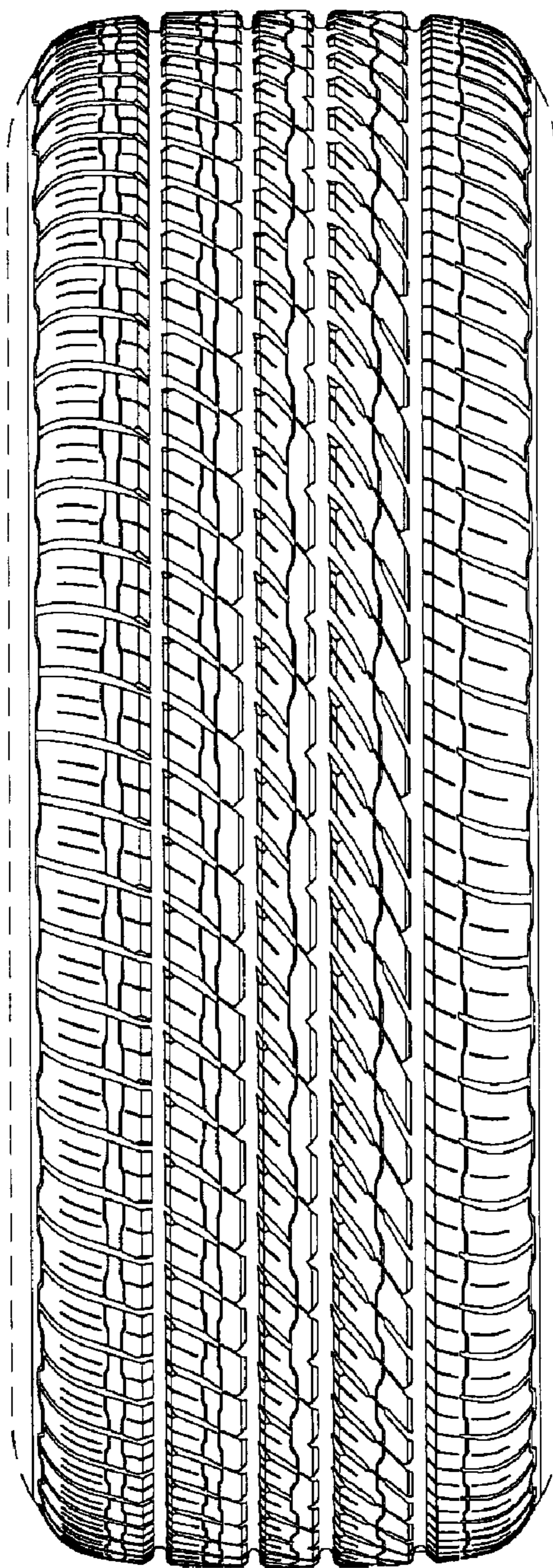


FIG.5

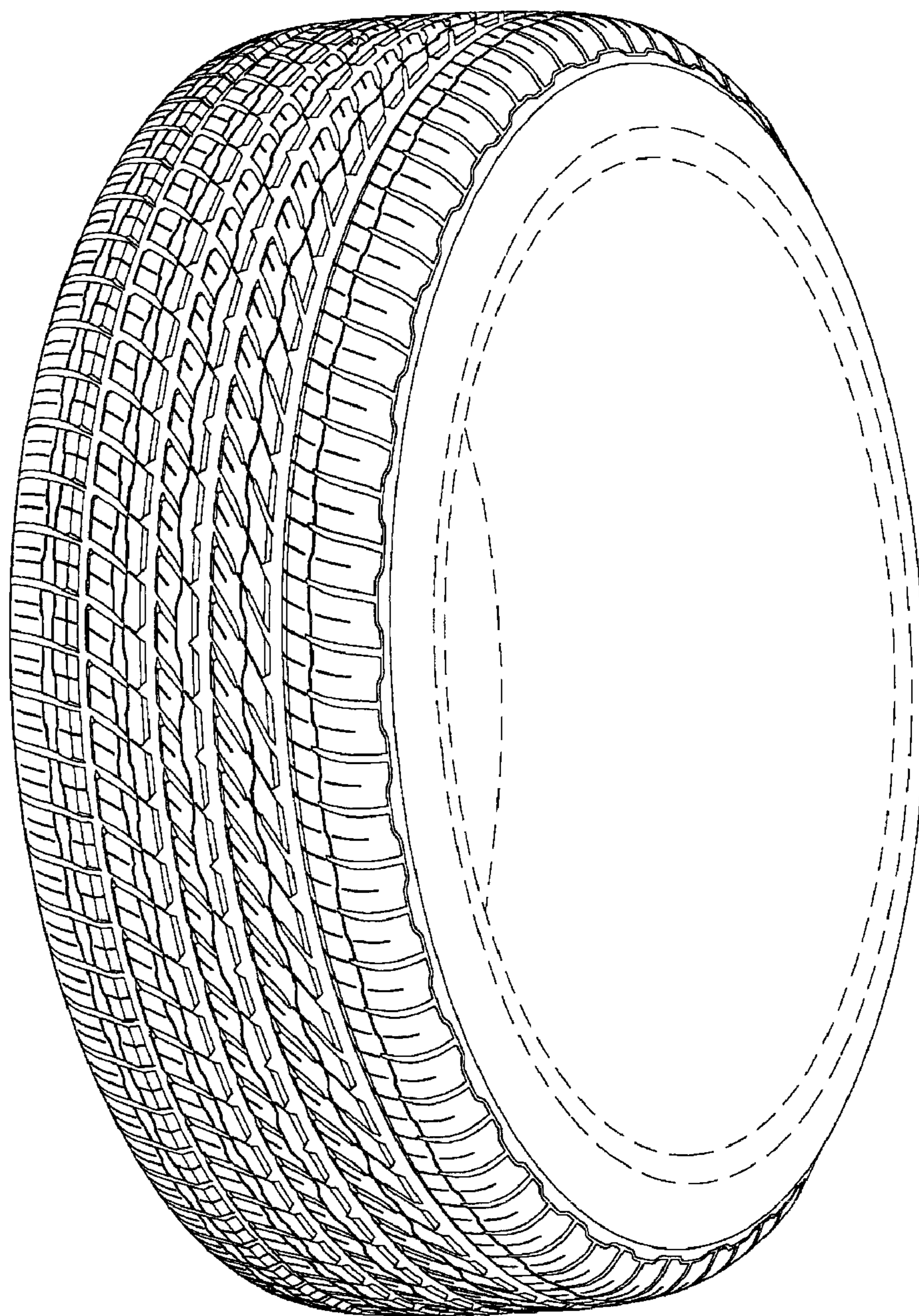


FIG.6

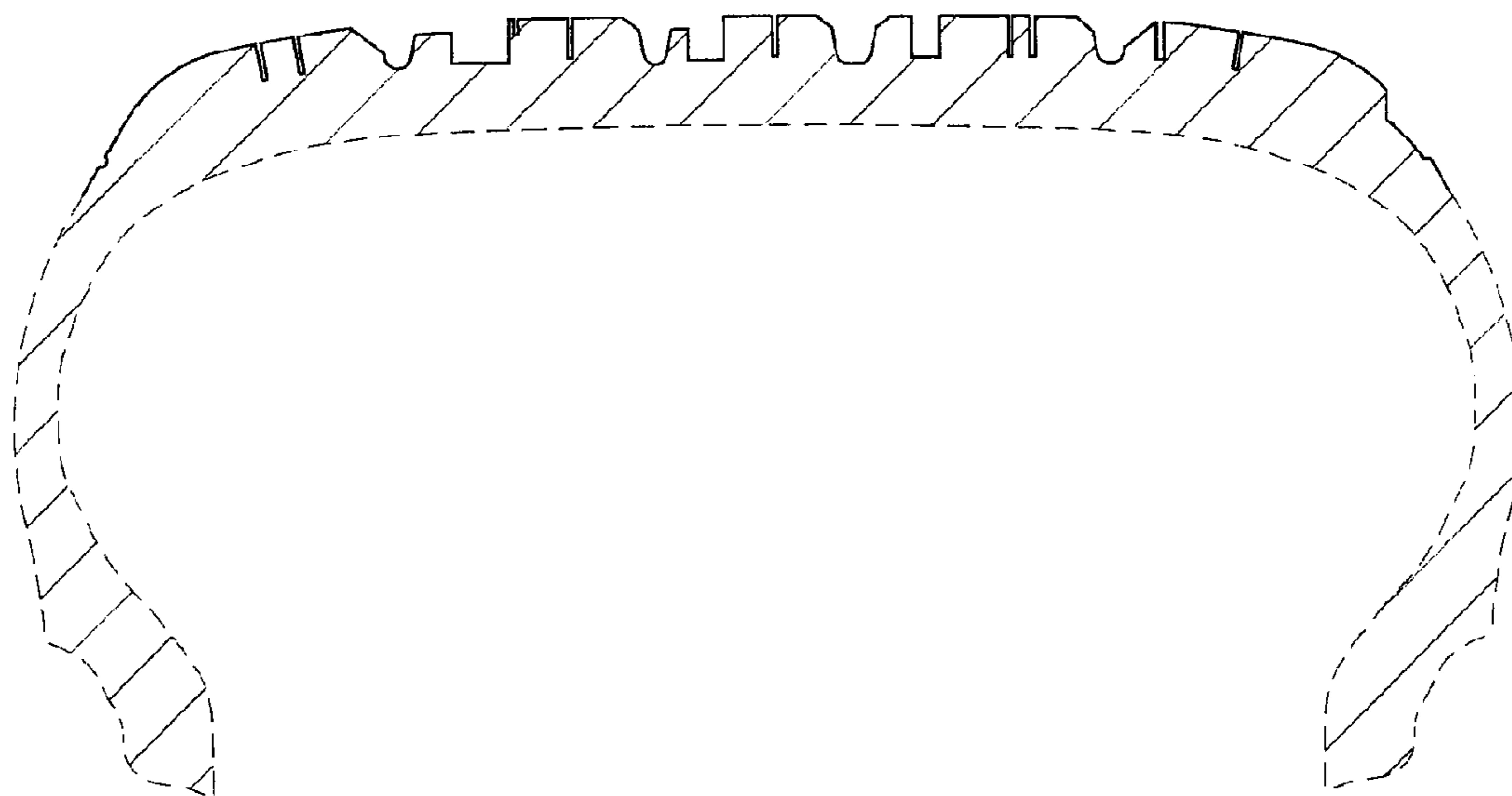


FIG.7

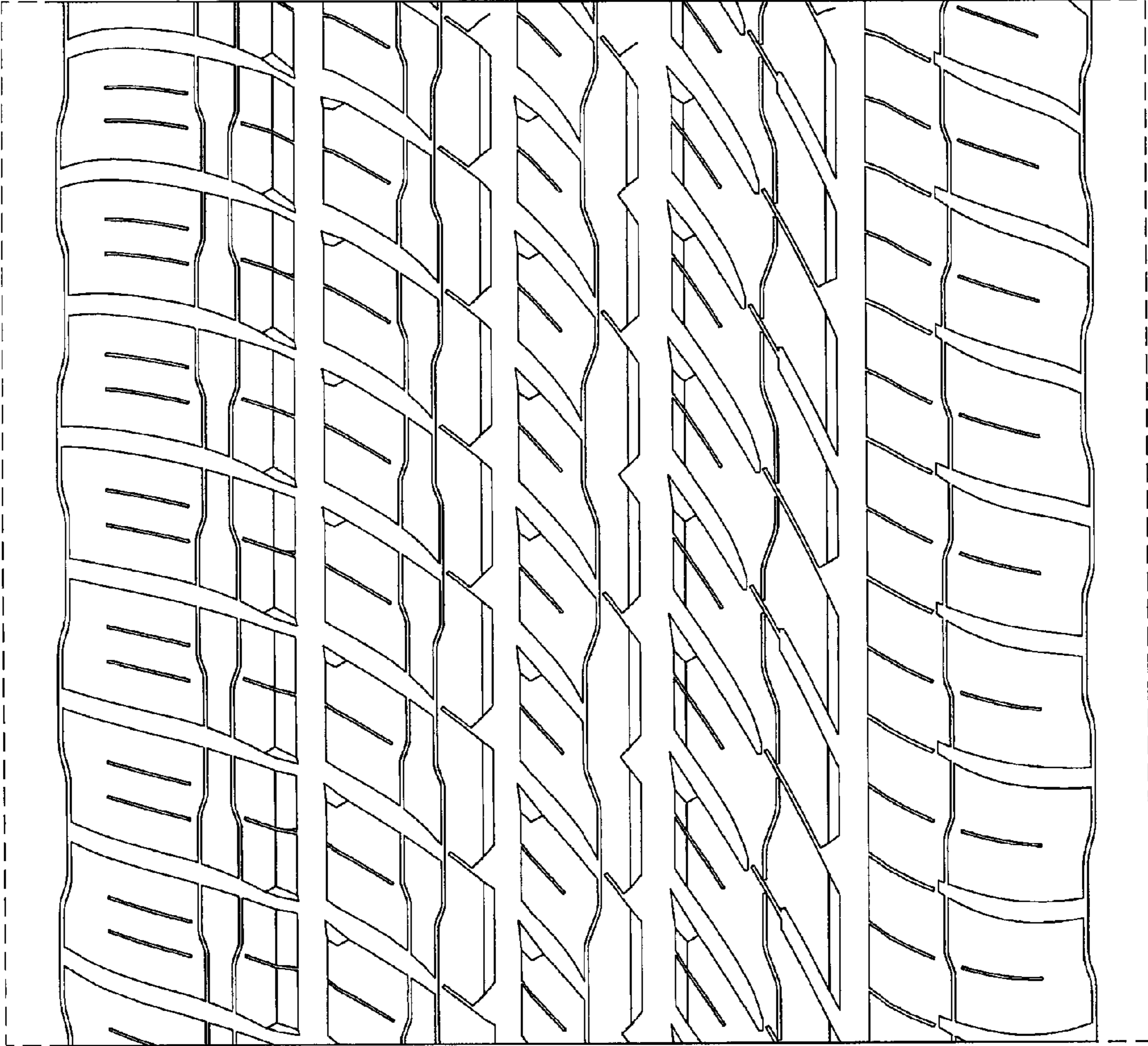


FIG.8