



US00D599277S

(12) **United States Design Patent**  
**Froger et al.**

(10) **Patent No.:** **US D599,277 S**

(45) **Date of Patent:** **\*\* Sep. 1, 2009**

(54) **TIRE**

(75) Inventors: **Nicolas Claude Jean-Claude Froger**,  
Arlon (BE); **Sebastien Willy Fontaine**,  
Oberfeulen (LU); **William Urbano**  
**Villamizar**, Mersch (LU); **Bernard Jean**  
**Francois Croissant**, Bastogne (BE)

(73) Assignee: **The Goodyear Tire & Rubber**  
**Company**, Akron, OH (US)

(\*\*) Term: **14 Years**

(21) Appl. No.: **29/334,993**

(22) Filed: **Apr. 7, 2009**

(51) **LOC (9) Cl.** ..... **12-15**

(52) **U.S. Cl.** ..... **D12/521**

(58) **Field of Classification Search** ..... D12/505-509,  
D12/515-532, 900-901; 152/209.1, 209.8-209.18,  
152/209.25-209.28, 455

See application file for complete search history.

(56) **References Cited**

**U.S. PATENT DOCUMENTS**

D432,956 S	10/2000	Ricquet	.....	D12/141
D432,957 S	10/2000	Ricquet	.....	D12/141
D490,045 S	5/2004	Delu et al.	.....	D12/519
D490,047 S	5/2004	Heinen et al.	.....	D12/524
D490,048 S	5/2004	Heinen et al.	.....	D12/524
D490,049 S	5/2004	Heinen et al.	.....	D12/524
D502,441 S	3/2005	Lo	.....	D12/521
D512,013 S	11/2005	Delu et al.	.....	D12/521
D515,021 S	2/2006	Delu et al.	.....	D12/524
D522,442 S	6/2006	Shirouzu	.....	D12/515
D524,231 S	7/2006	Marazzi et al.	.....	D12/521
D524,232 S	7/2006	Heinen et al.	.....	D12/521
D524,233 S	7/2006	Marazzi et al.	.....	D12/521
D524,235 S	7/2006	Marazzi et al.	.....	D12/523
D524,236 S	7/2006	Marazzi et al.	.....	D12/524
D525,186 S	7/2006	Martin	.....	D12/521
D531,108 S	10/2006	Marazzi et al.	.....	D12/523

D533,133 S	12/2006	Heinen et al.	.....	D12/590
D545,756 S	* 7/2007	Feider et al.	.....	D12/521
D551,156 S	9/2007	Shinohara et al.	.....	D12/521
D558,128 S	12/2007	Delu et al.	.....	D12/521
D560,595 S	1/2008	Bindner et al.	.....	D12/521
D579,855 S	11/2008	Fontaine et al.	.....	D12/521
D581,347 S	* 11/2008	Feider et al.	.....	D12/523
D586,726 S	* 2/2009	Baumard et al.	.....	D12/521

\* cited by examiner

*Primary Examiner*—Stacia Cadmus

(74) *Attorney, Agent, or Firm*—Richard B. O’Planick

(57) **CLAIM**

The ornamental design for a tire, as shown and described.

**DESCRIPTION**

FIG. 1 is a perspective view of a tire showing our new design, it being understood that the pattern repeats uniformly throughout the circumference of the tread;

FIG. 2 is a front elevational view thereof;

FIG. 3 is a right side elevational view thereof;

FIG. 4 is a left side elevational view thereof;

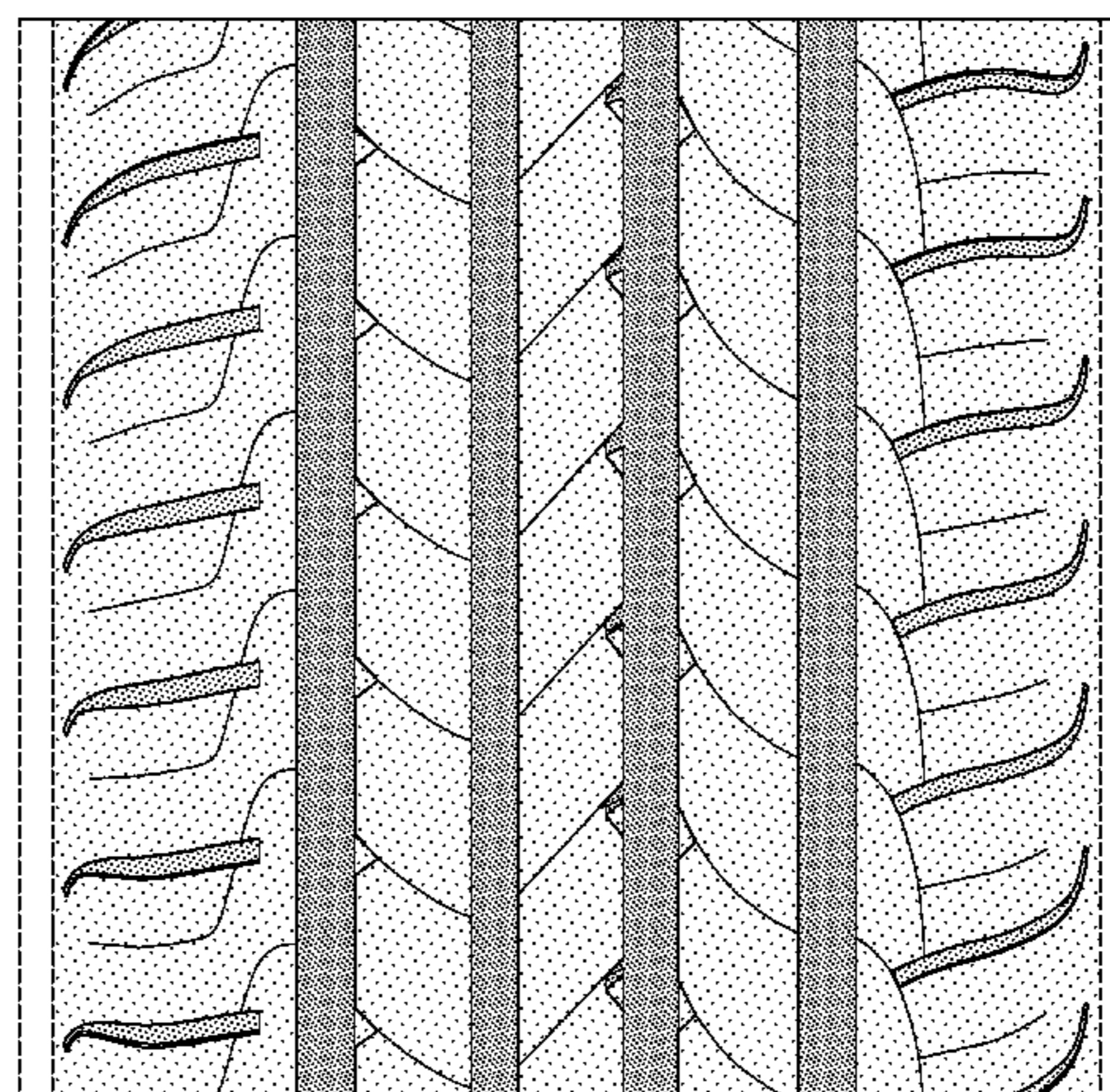
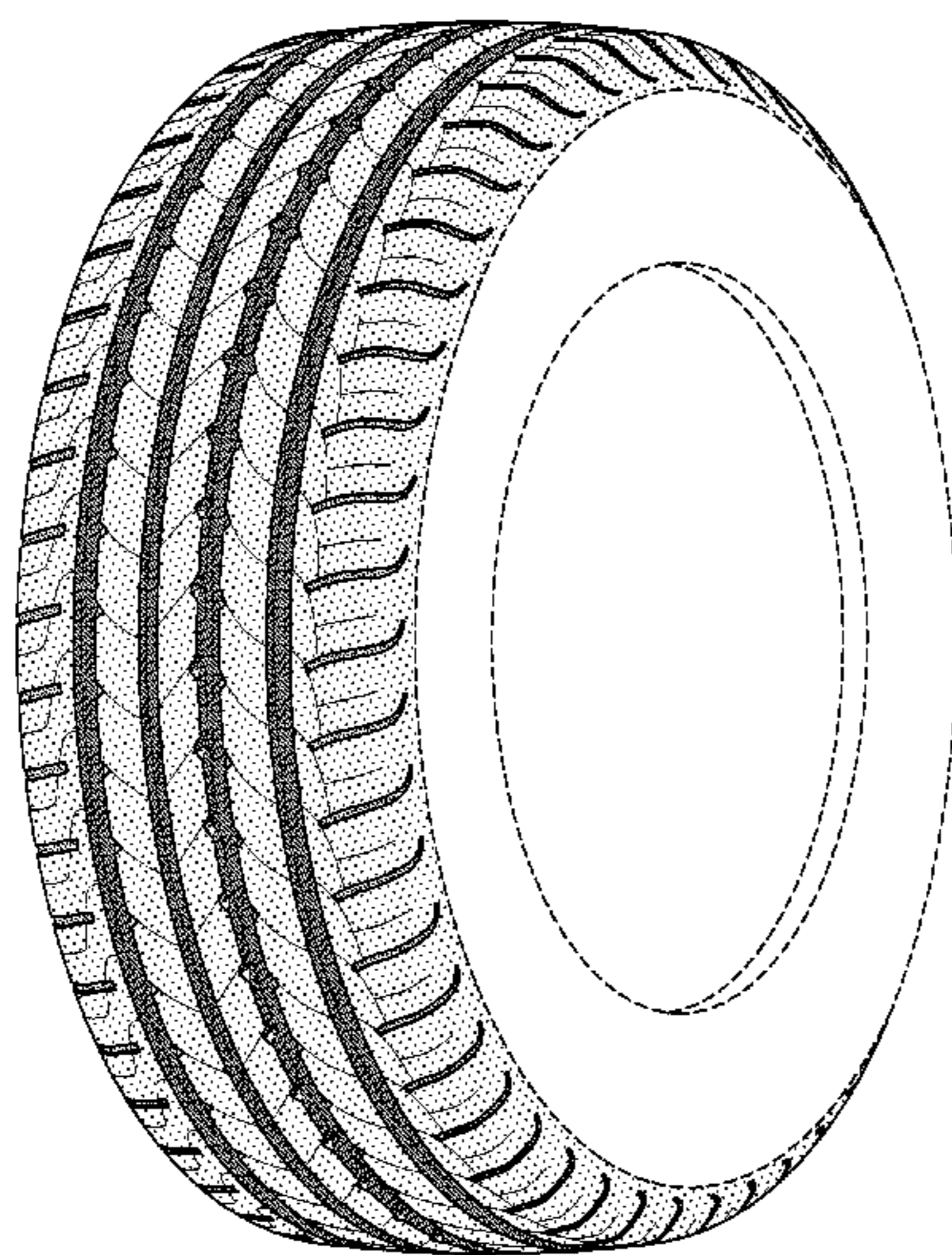
FIG. 5 is an enlarged fragmentary front elevational view thereof;

FIG. 6 is a perspective view of a second embodiment of a TIRE showing our new design, it being understood that the pattern repeats uniformly throughout the circumference of the tread; and,

FIG. 7 is a front elevational view of a second embodiment, it being understood that an enlarged fragmentary view thereof would be substantially identical to that shown in FIG. 5, with the exception of the inclusion of the sidewall in solid lines.

In the drawings, the broken lines showing of the sidewall, inner bead and the peripheral boundary between the tire tread and the sidewall in FIGS. 1 through 5 depict environmental subject matter and form no part of the claimed design.

**1 Claim, 7 Drawing Sheets**



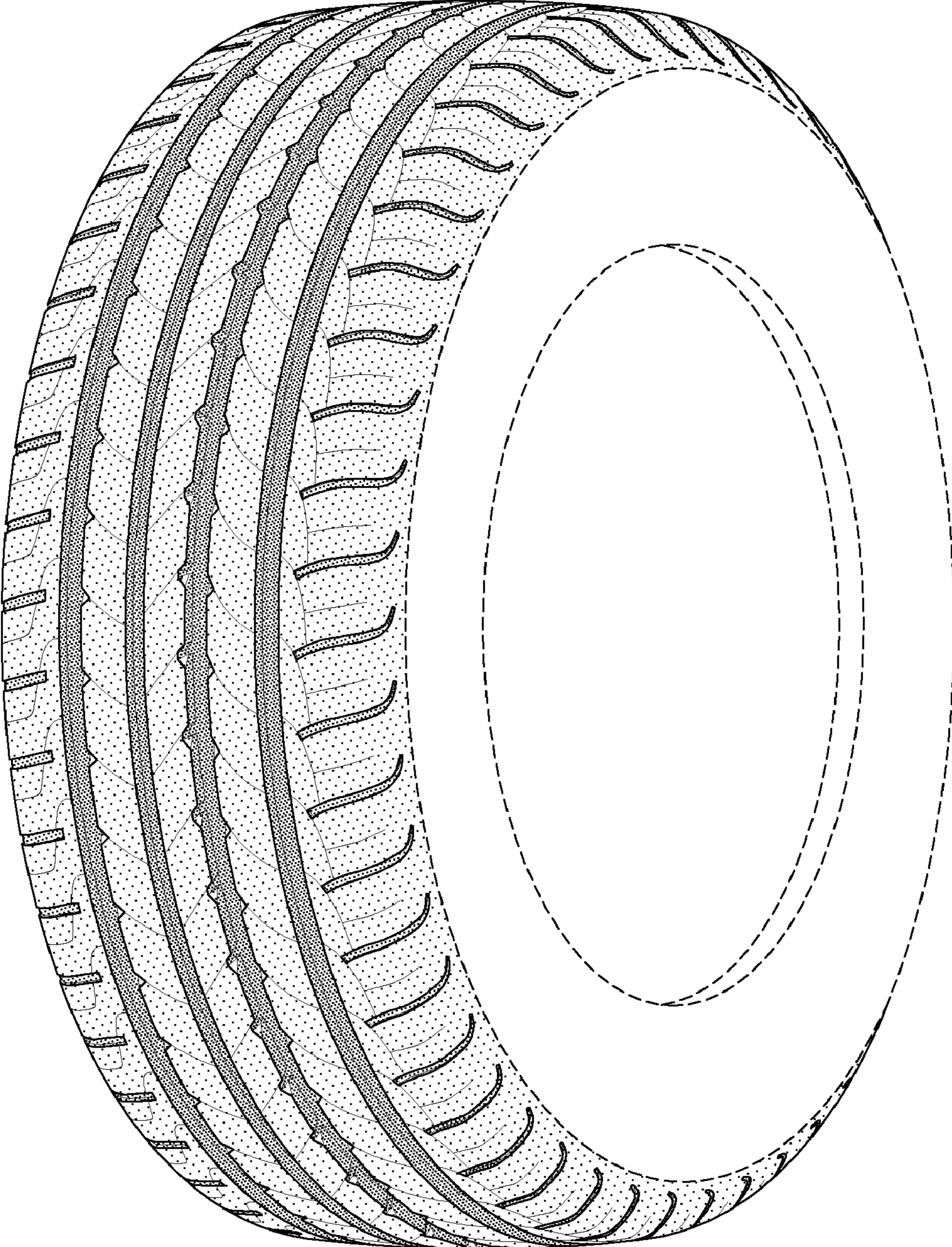


FIG-1

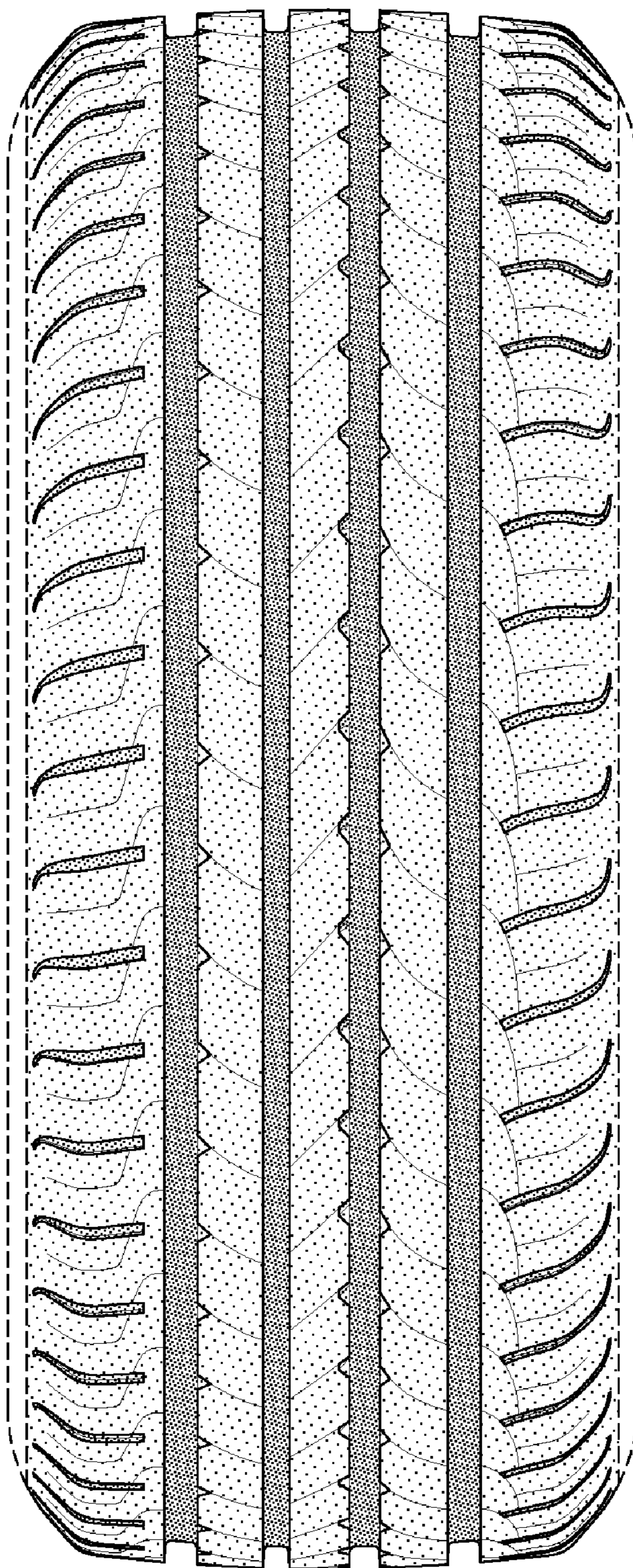


FIG-2

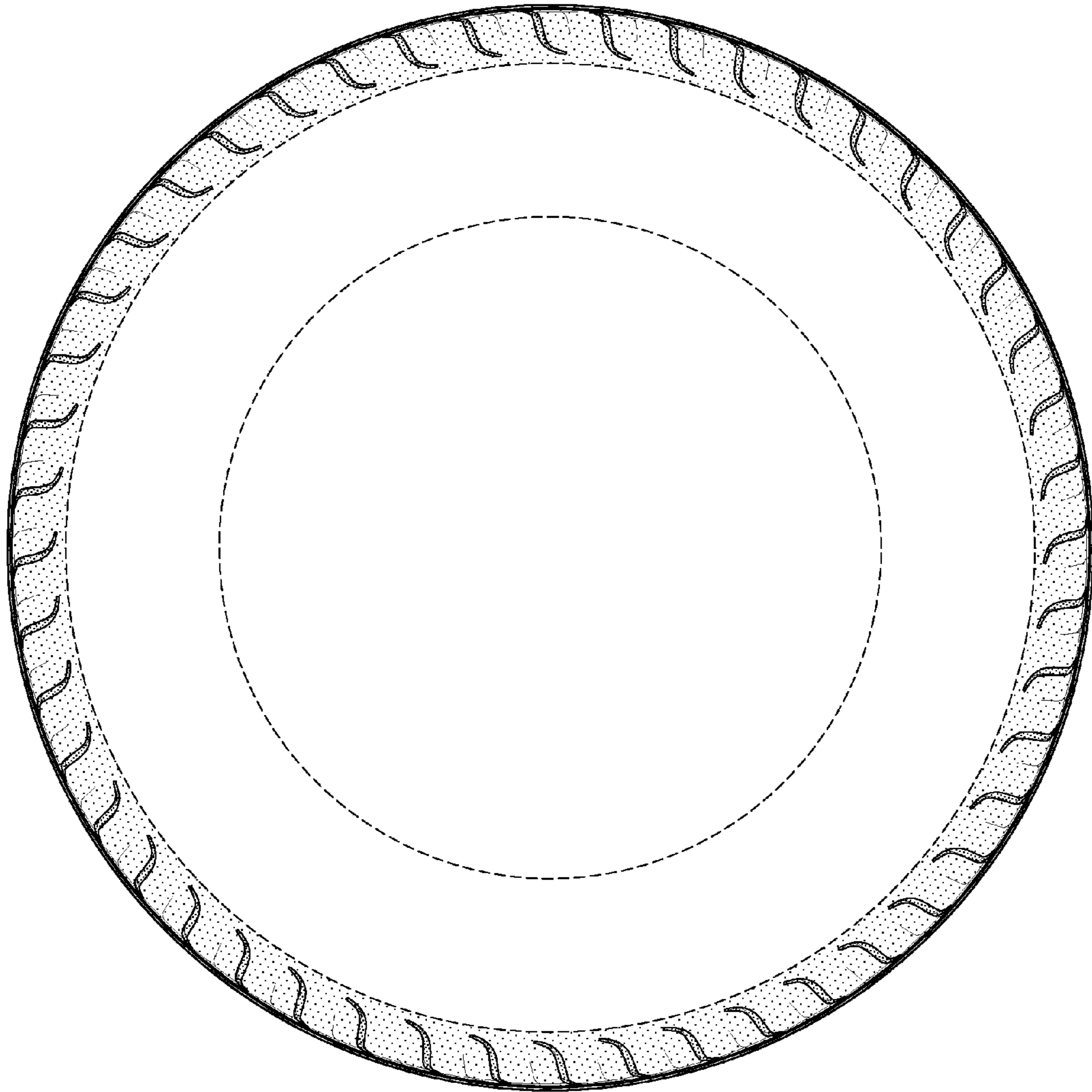


FIG-3

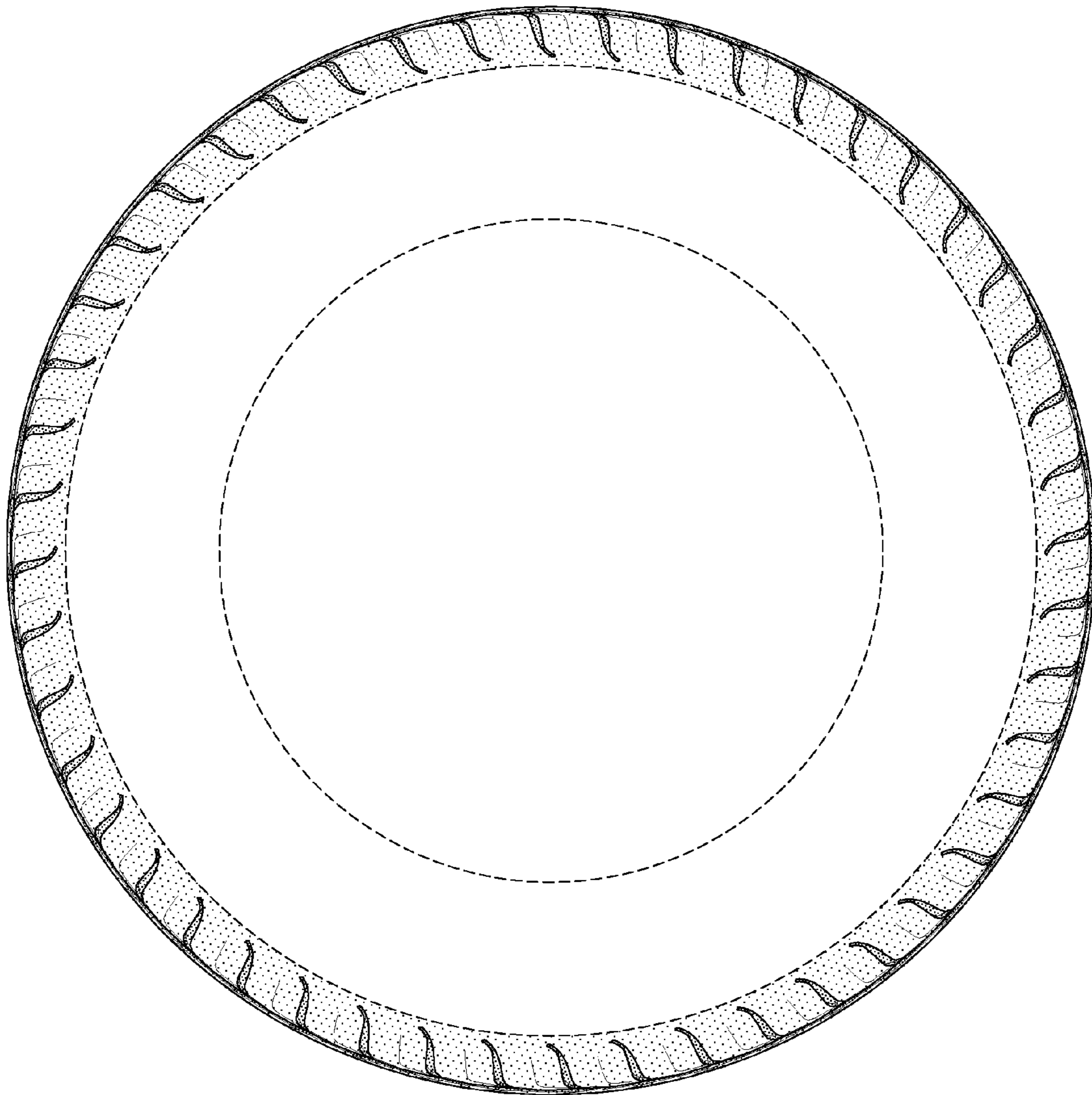


FIG-4

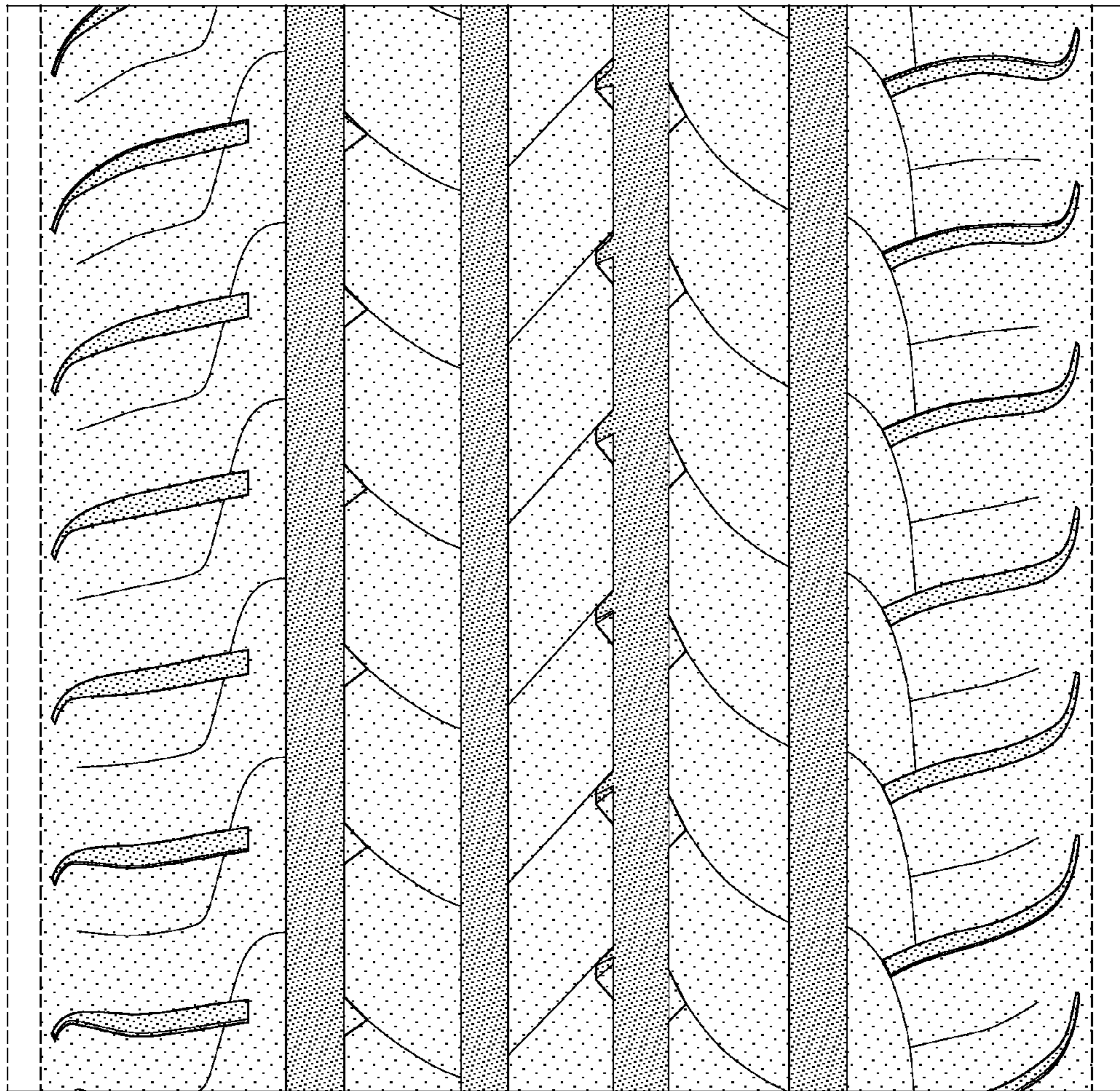


FIG-5

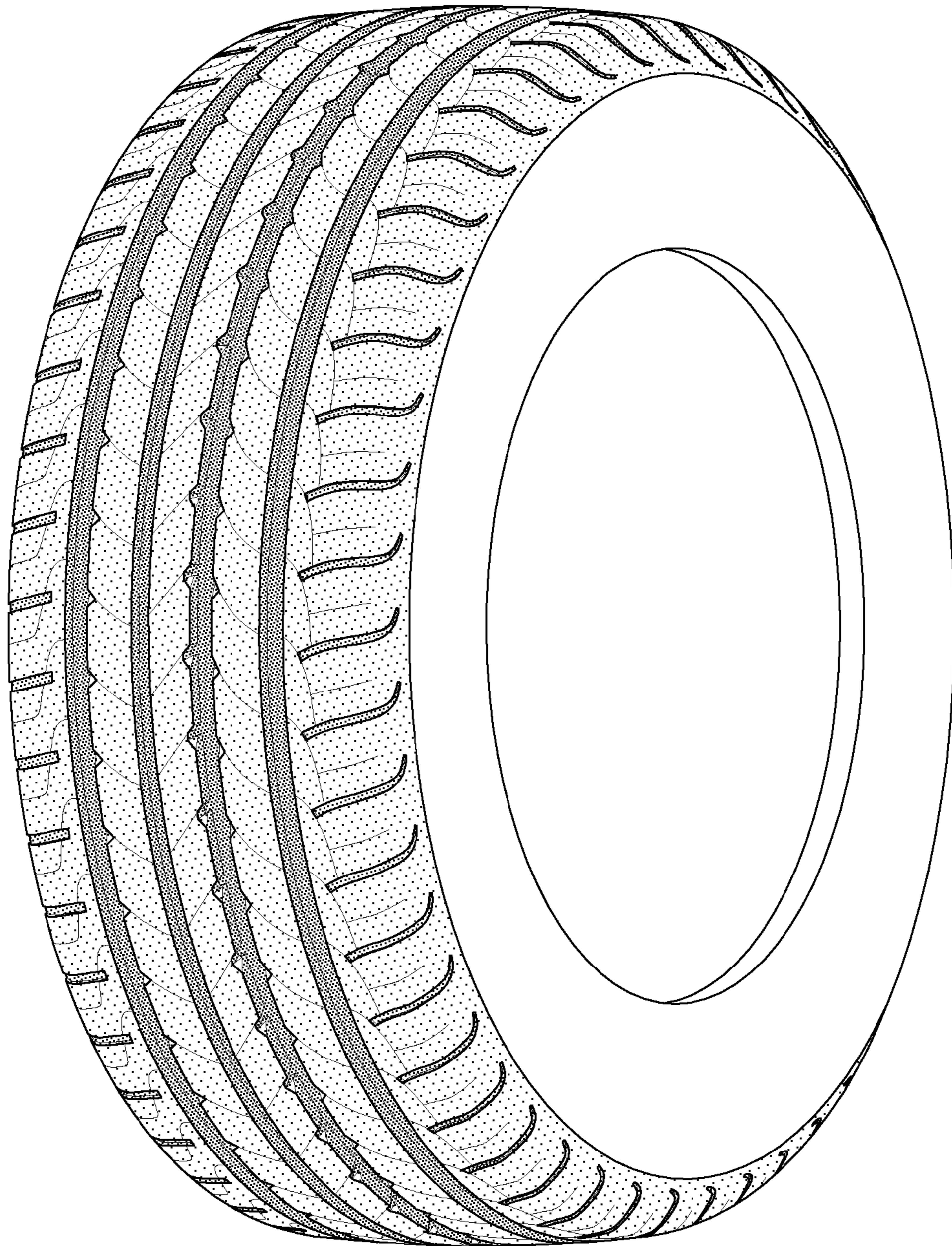


FIG-6

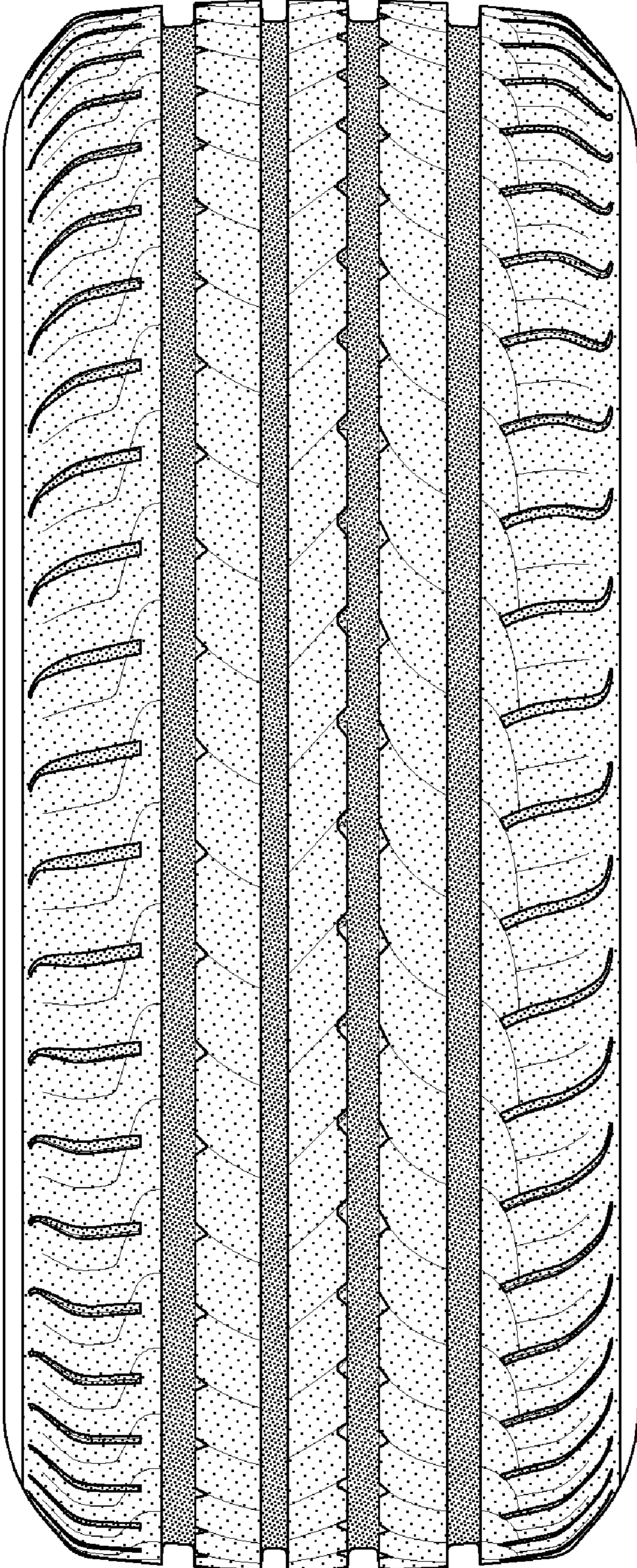


FIG-7