

US00D599275S

(12) **United States Design Patent**
Kojima

(10) **Patent No.:** **US D599,275 S**

(45) **Date of Patent:** **** Sep. 1, 2009**

(54) **AUTOMOBILE TIRE**

JP A 2006-143040 6/2006

(75) Inventor: **Hiroyuki Kojima**, Hiratsuka (JP)

* cited by examiner

(73) Assignee: **The Yokohama Rubber Co., Ltd.**,
Tokyo (JP)

Primary Examiner—Caron Veynar
Assistant Examiner—George D Kirschbaum
(74) *Attorney, Agent, or Firm*—Greer, Burns & Crain, Ltd.

(**) Term: **14 Years**

(57) **CLAIM**

(21) Appl. No.: **29/292,435**

The ornamental design for an automobile tire, as shown and described.

(22) Filed: **Oct. 11, 2007**

(30) **Foreign Application Priority Data**

Apr. 13, 2007 (JP) 2007-010033

(51) **LOC (9) Cl.** **12-16**

(52) **U.S. Cl.** **D12/519**

(58) **Field of Classification Search** D12/505-532;
152/209.1, 209.8, 209.12, 209.18, 209.25
See application file for complete search history.

(56) **References Cited**

U.S. PATENT DOCUMENTS

D460,402 S *	7/2002	Ishida et al.	D12/523
D467,535 S *	12/2002	Ishida et al.	D12/519
D501,179 S *	1/2005	Iga et al.	D12/518
D505,380 S *	5/2005	Sugitani et al.	D12/524
D558,125 S *	12/2007	Miyabe et al.	D12/518
D583,750 S *	12/2008	Behr et al.	D12/523

FOREIGN PATENT DOCUMENTS

JP	A 2005-53311	3/2005
JP	A 2006-62551	3/2006

DESCRIPTION

FIG. 1 is a front view of an automobile tire, showing the new design, a top plan view and a bottom plan view thereof appearing the same as the front view;

FIG. 2 is a rear view of the automobile tire;

FIG. 3 is a left side view of the automobile tire;

FIG. 4 is a right side view of the automobile tire;

FIG. 5 is a fragmentary front view, showing in enlargement the portion of 5—5 in FIG. 1;

FIG. 6 is a cross-sectional view, taken on line 6—6 in FIG. 5; and,

FIG. 7 is a perspective view of the automobile tire.

In the drawing figures, the even broken lines represent environmental structure only and form no part of the claimed design, the claimed design being the tread pattern shown by solid lines, up to the peripheral boundary between the tread and the sidewall of the article, represented by dash-dot-dash lines.

1 Claim, 4 Drawing Sheets

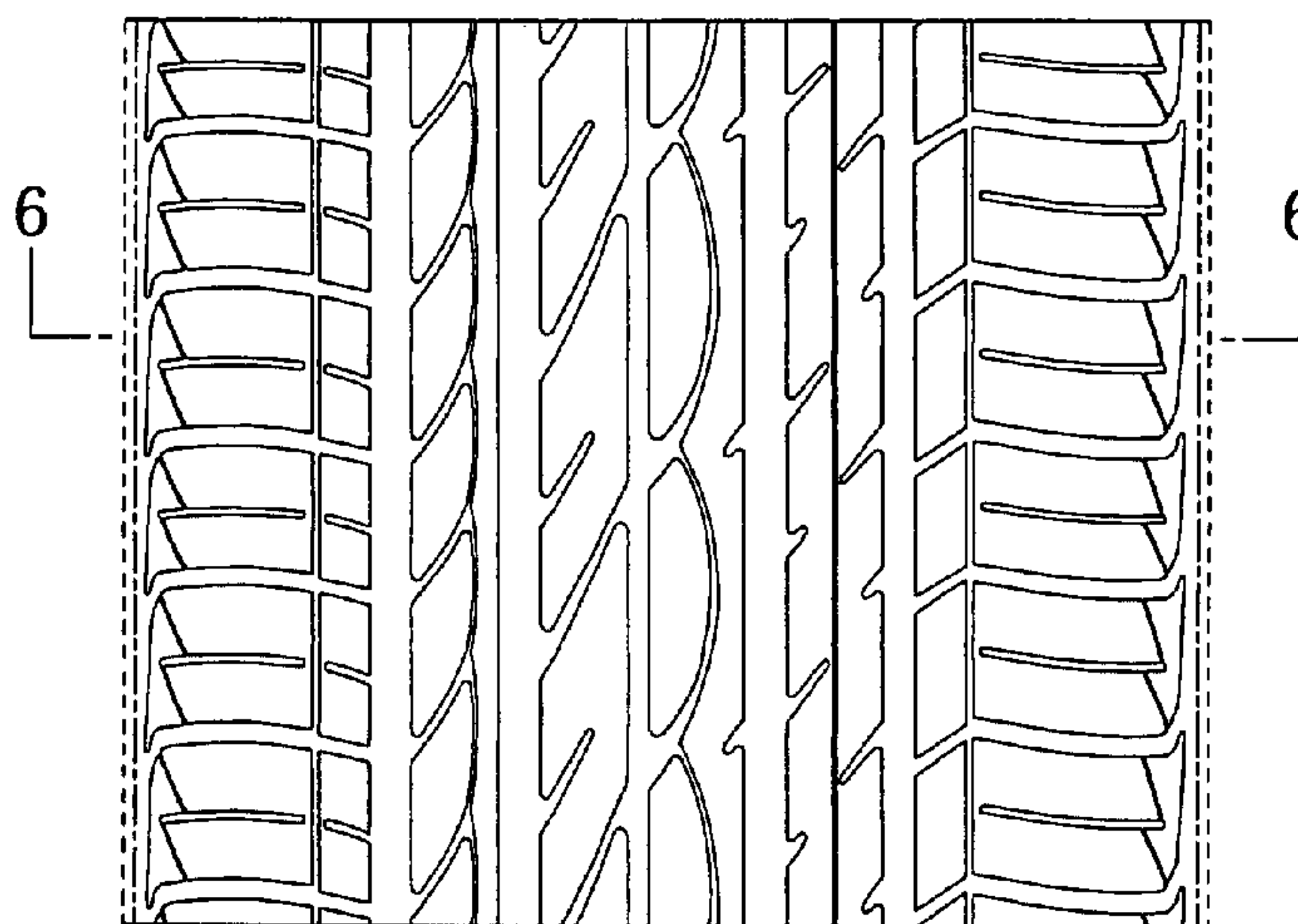
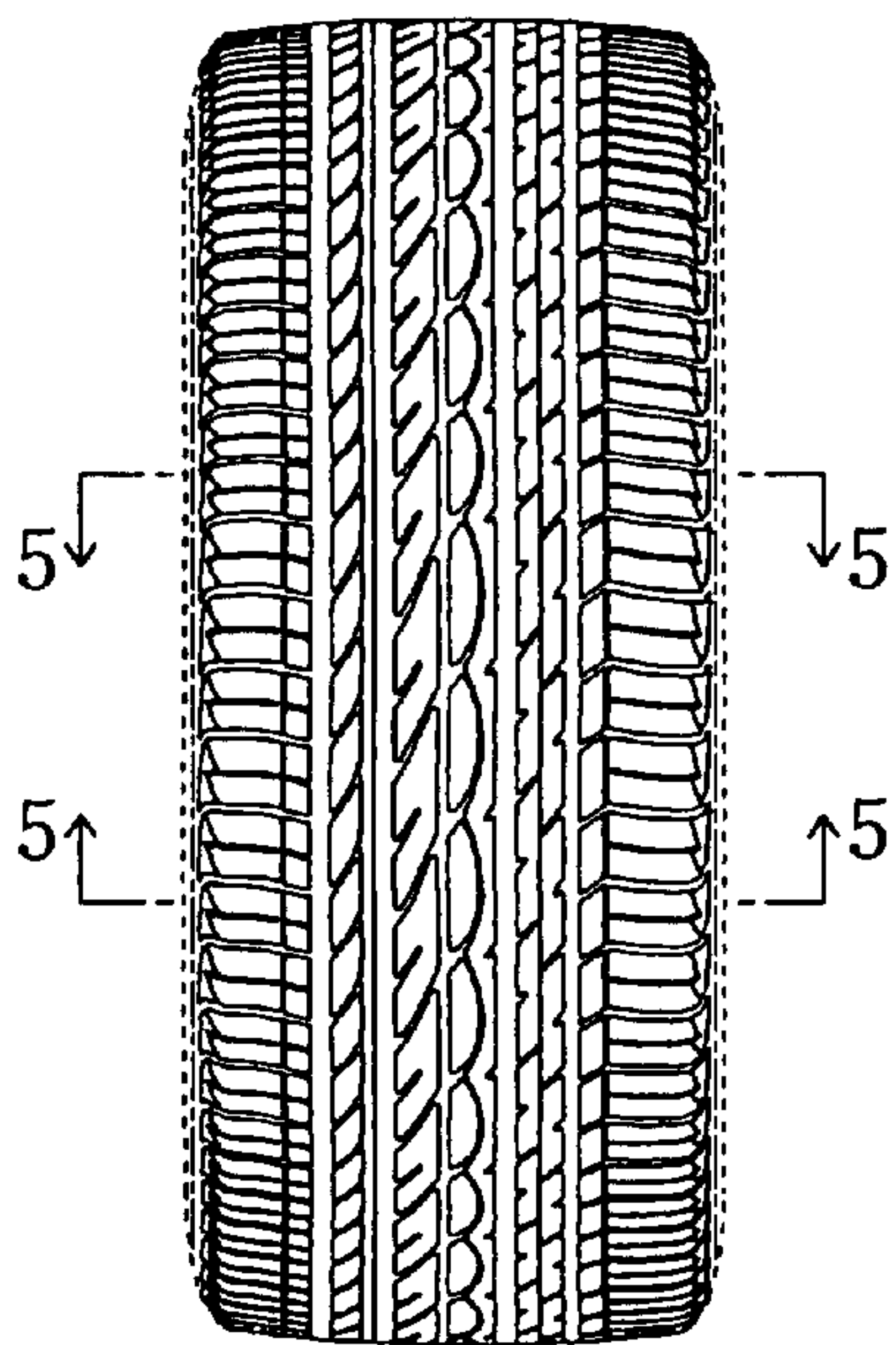


Fig. 1

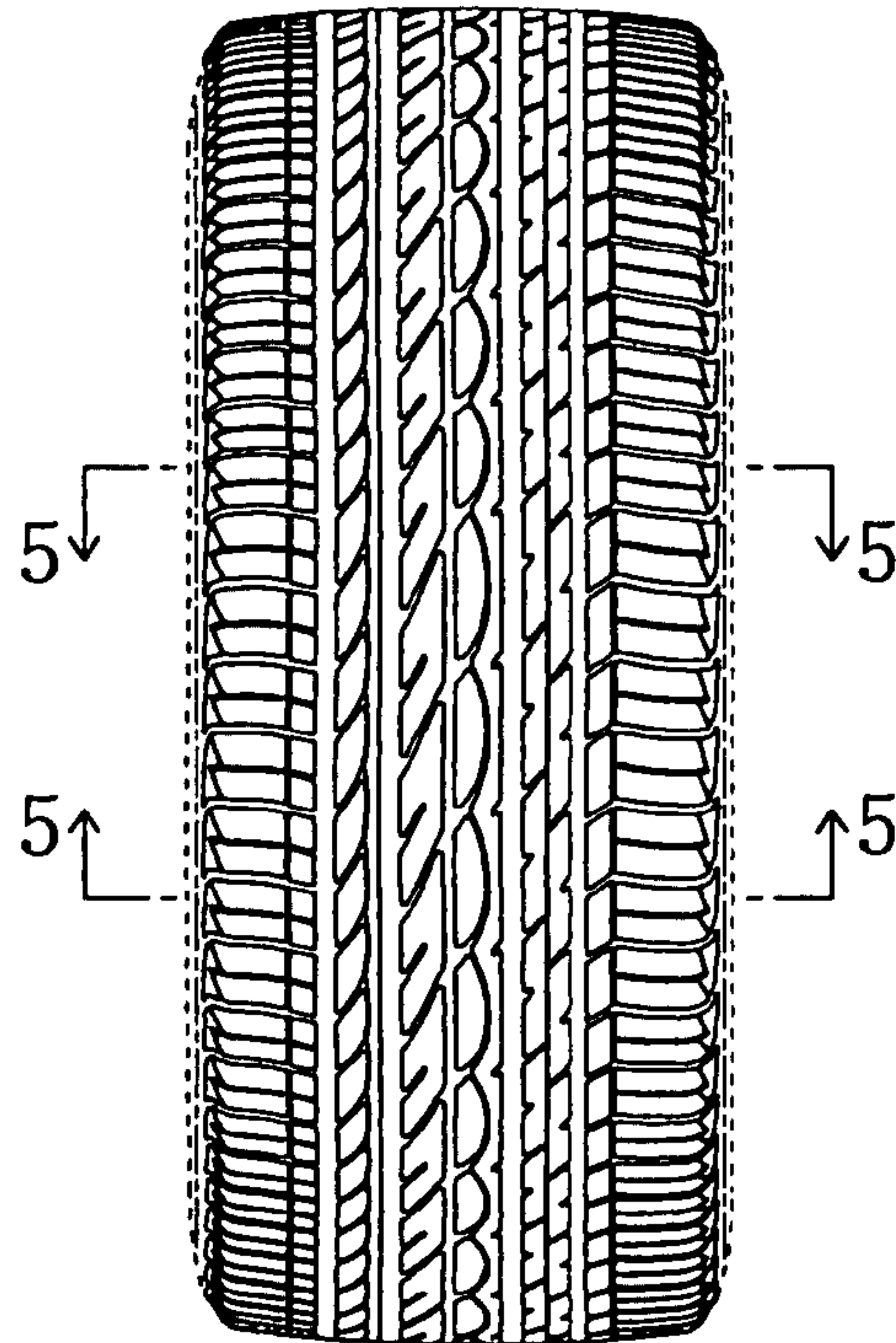


Fig. 2

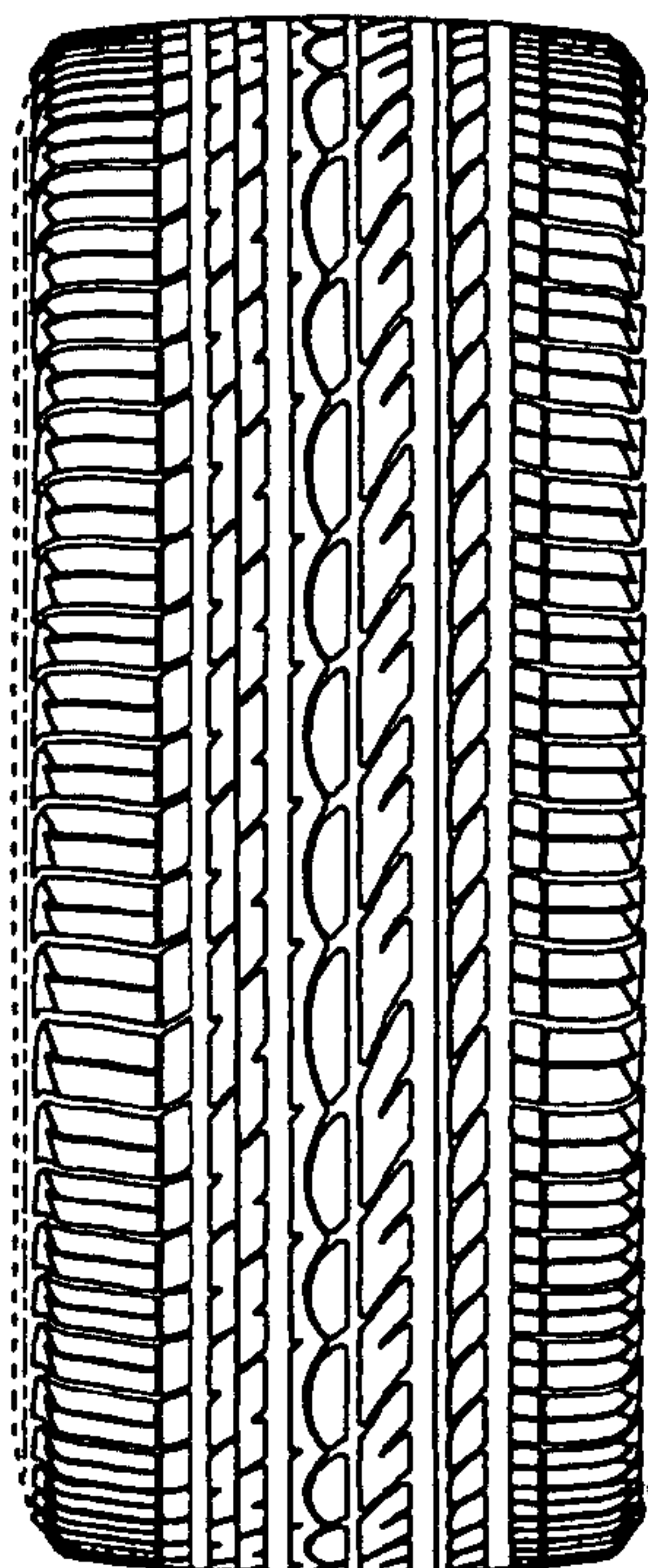


Fig. 3

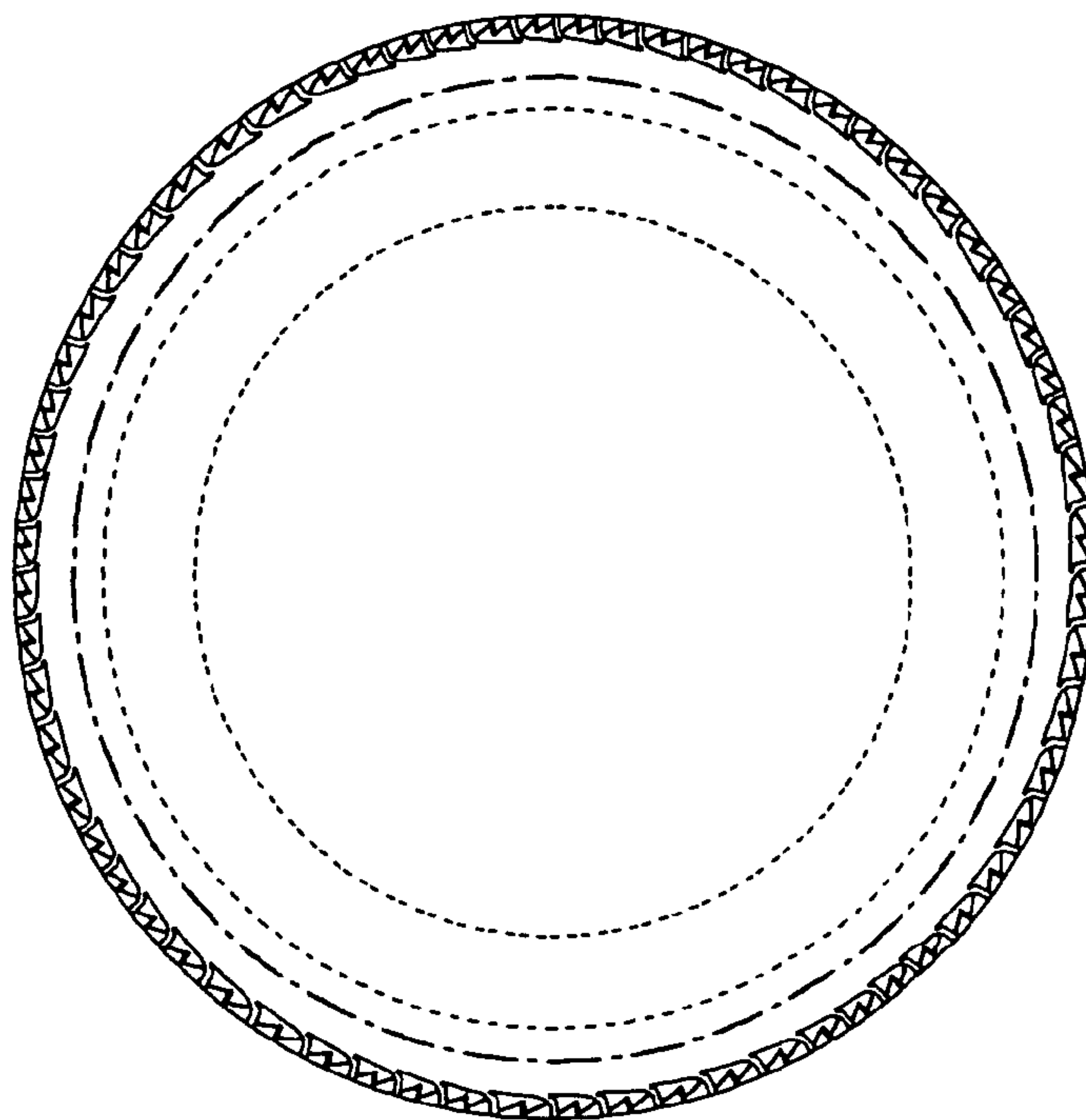


Fig. 4

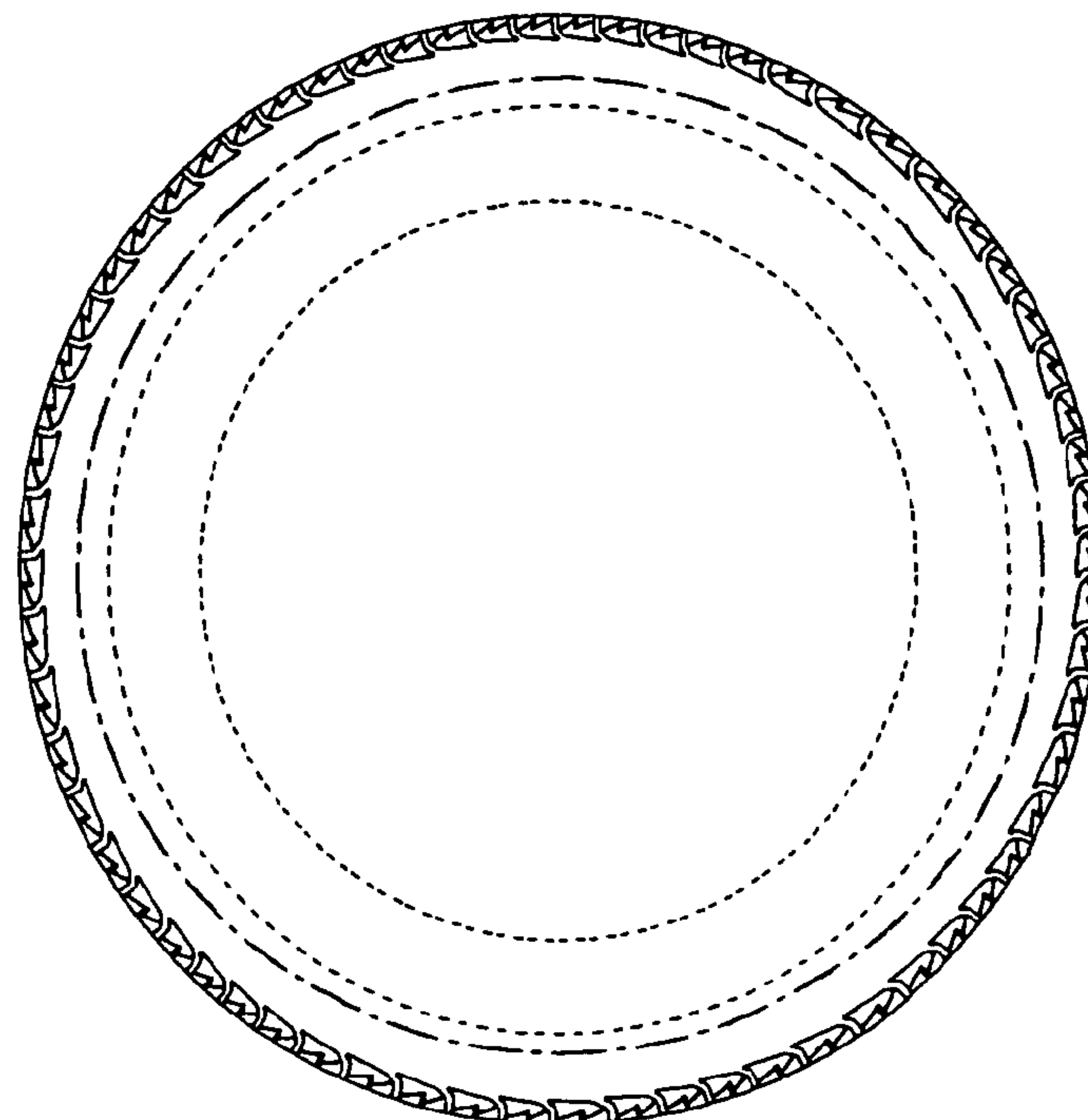


Fig. 5

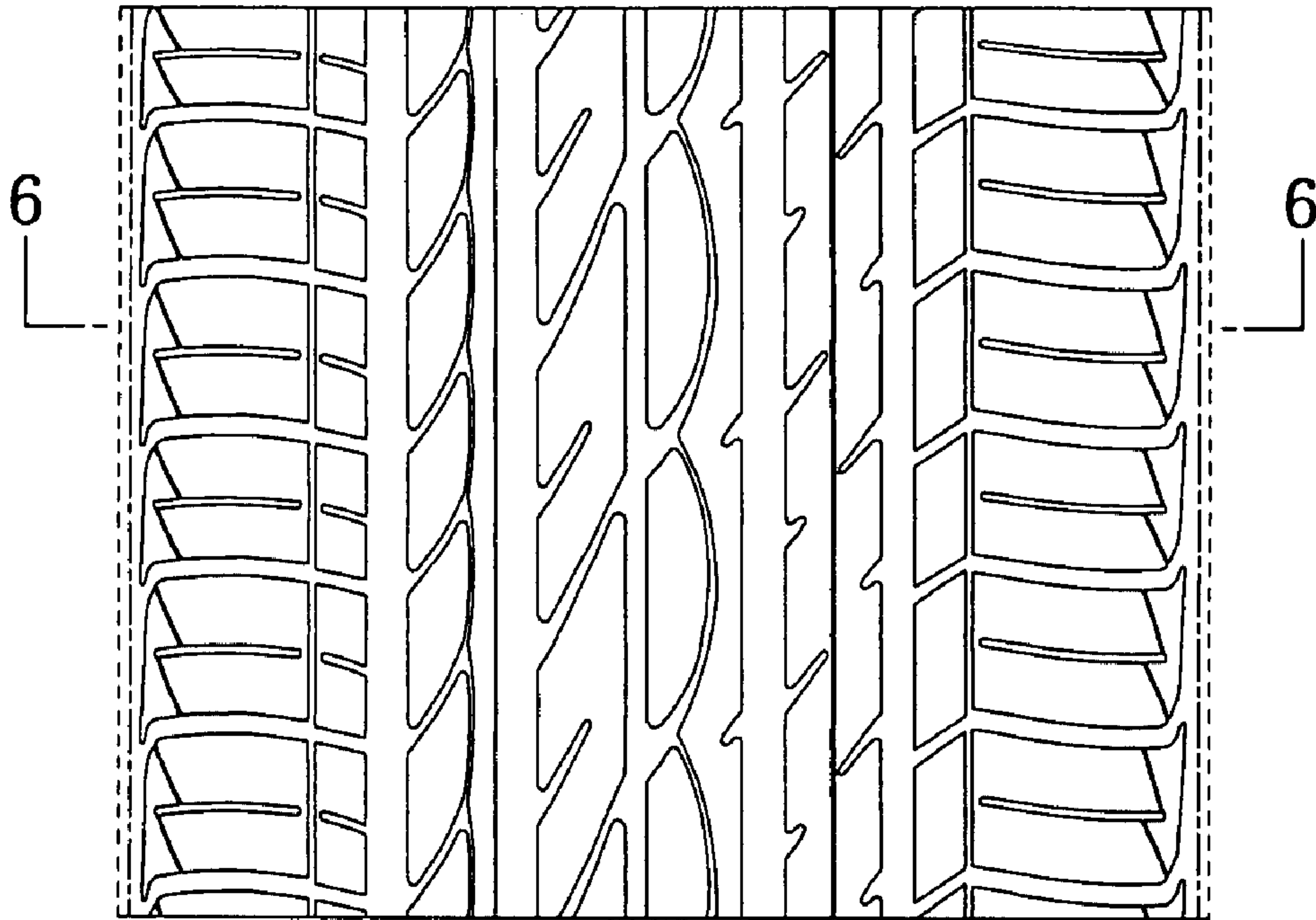


Fig. 6

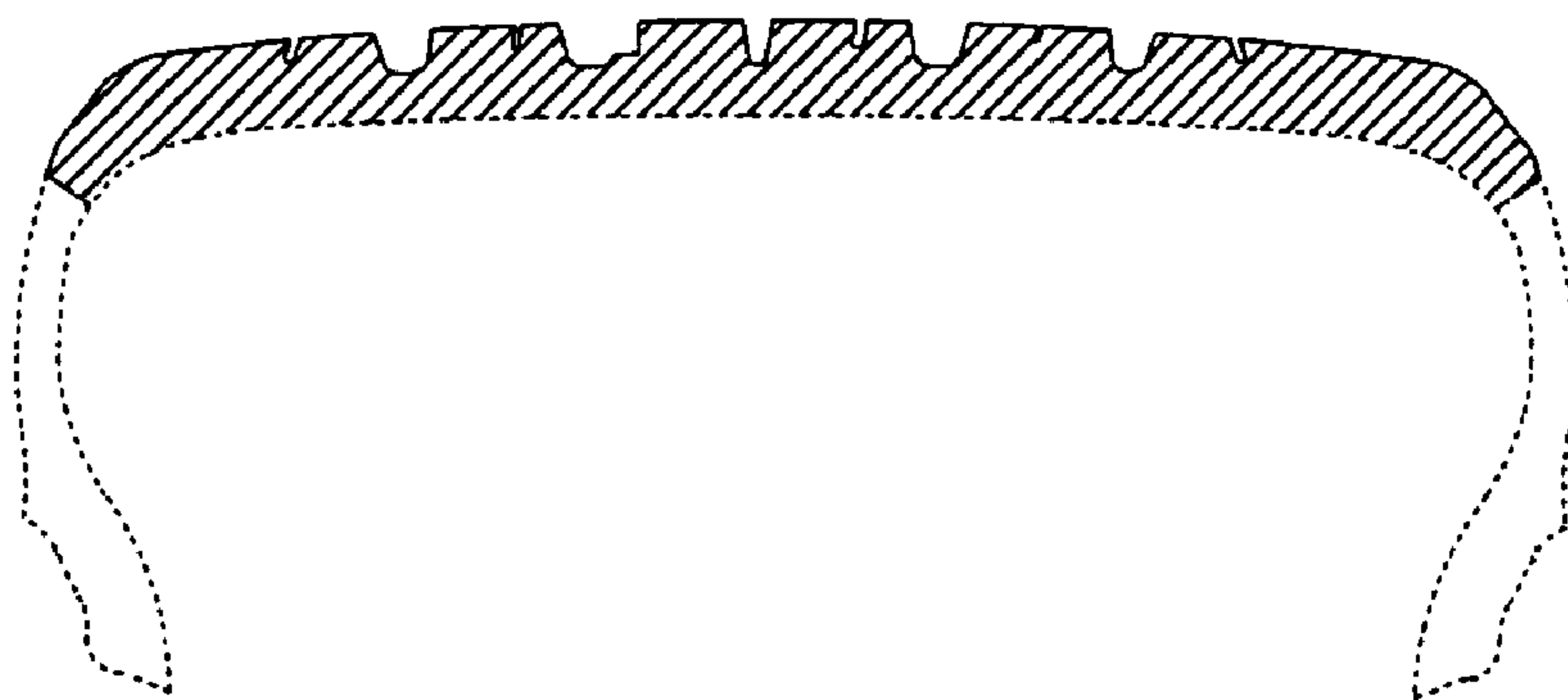


Fig. 7

