



US00D599273S

(12) **United States Design Patent**
Valeri

(10) **Patent No.:** **US D599,273 S**

(45) **Date of Patent:** **** Sep. 1, 2009**

(54) **DECORATIVE KIT FOR VEHICLES**

(76) **Inventor:** **Sue E. Valeri**, 283 Harrison Ave.,
Harrison, NY (US) 10528

(**) **Term:** **14 Years**

(21) **Appl. No.:** **29/309,549**

(22) **Filed:** **Sep. 2, 2008**

(51) **LOC (9) Cl.** **12-16**

(52) **U.S. Cl.** **D12/400**

(58) **Field of Classification Search** D12/400,
D12/82-83, 197, 199, 421, 196, 210, 223,
D12/190; 40/218; D29/101.1-101.5
See application file for complete search history.

(56) **References Cited**

U.S. PATENT DOCUMENTS

D268,745 S	4/1983	Ornatek	
D421,933 S	3/2000	Bender	
D496,880 S	10/2004	Puett, III	
D521,924 S *	5/2006	Valeri	D12/400
D522,956 S *	6/2006	Valeri	D12/400
D534,476 S *	1/2007	Valeri	D12/400
D534,477 S *	1/2007	Valeri	D12/400
D534,478 S *	1/2007	Valeri	D12/400

D534,479 S *	1/2007	Valeri	D12/400
D548,669 S *	8/2007	Mathis	D12/400

* cited by examiner

Primary Examiner—Caron Veynar

Assistant Examiner—Katrina A Kile

(74) *Attorney, Agent, or Firm*—Richard C. Litman

(57) **CLAIM**

The ornamental design for a decorative kit for vehicles, as shown and described.

DESCRIPTION

FIG. 1 is a front view of a decorative kit for vehicles showing my new design, shown in its position of use;

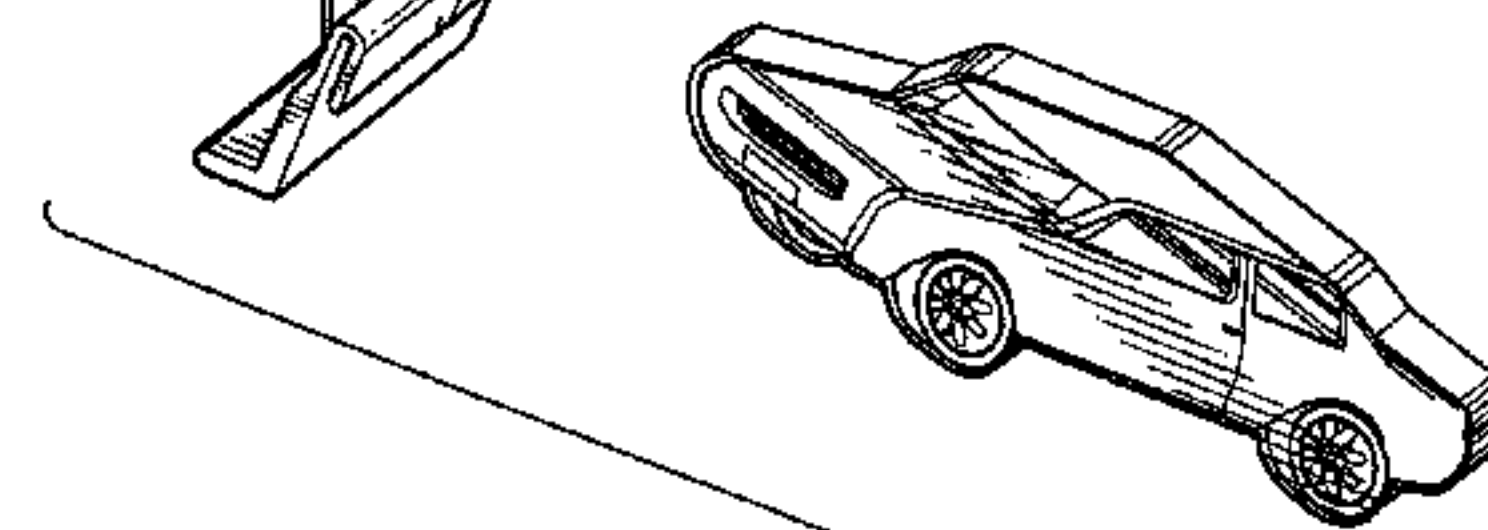
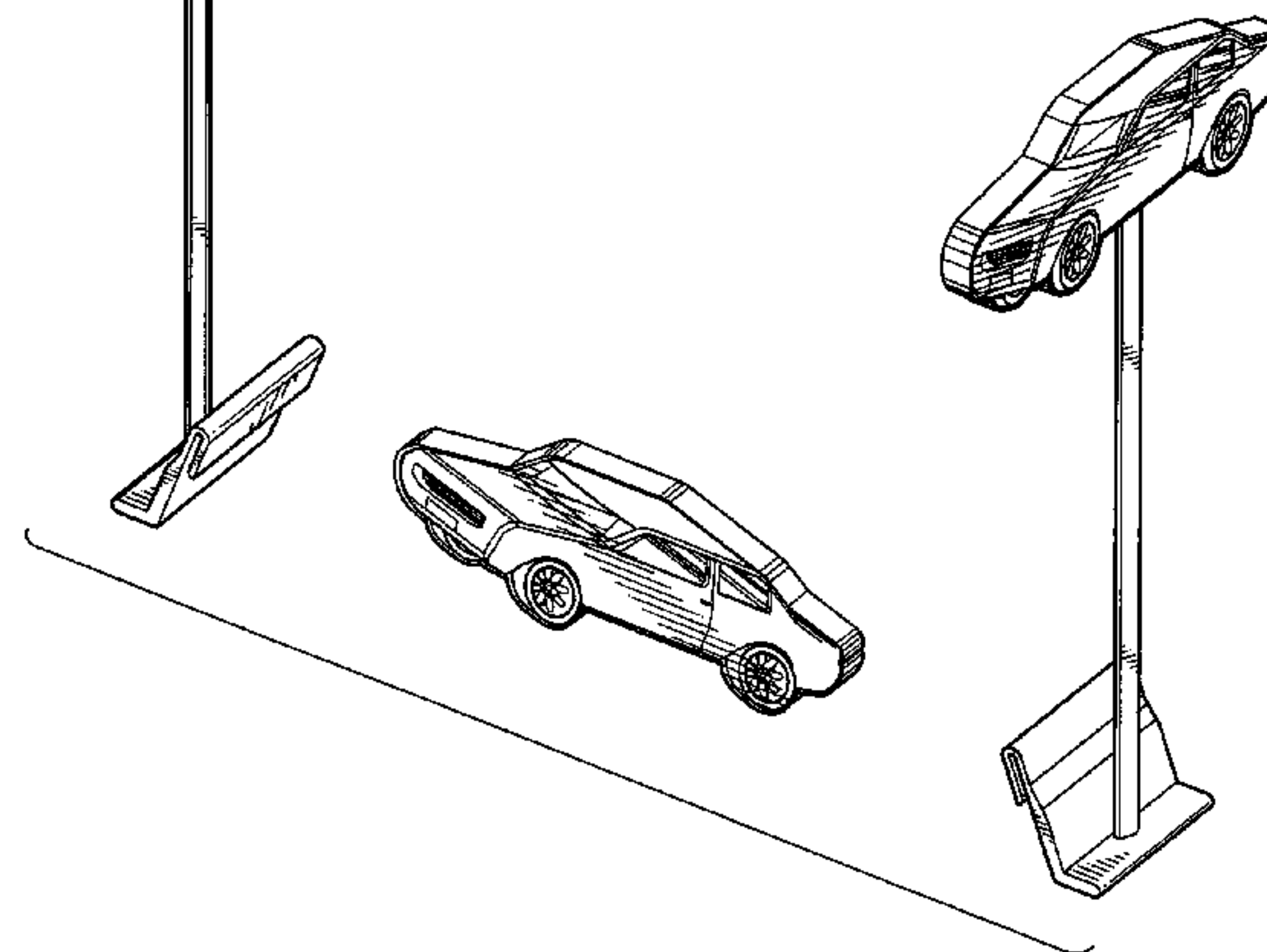
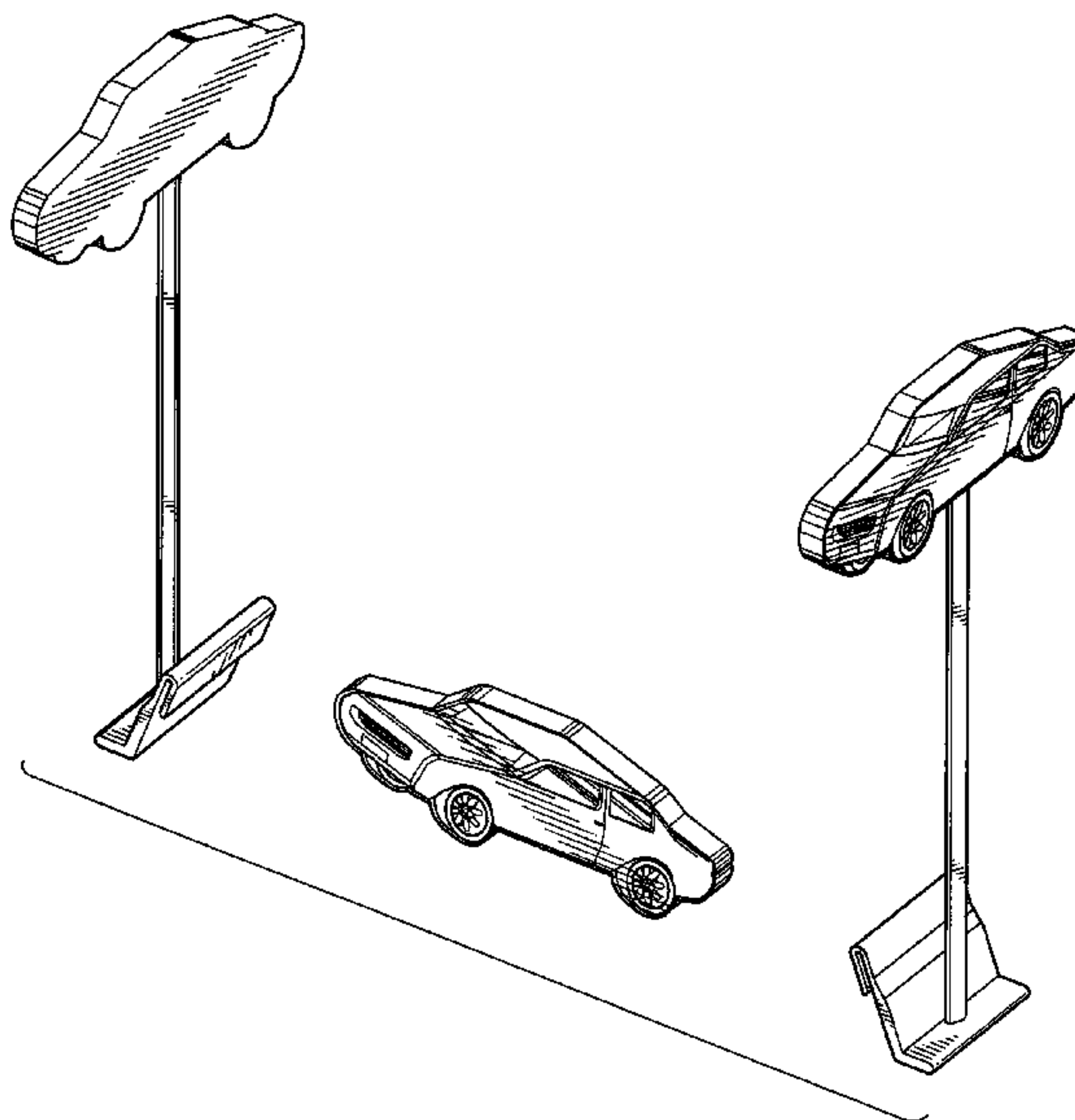
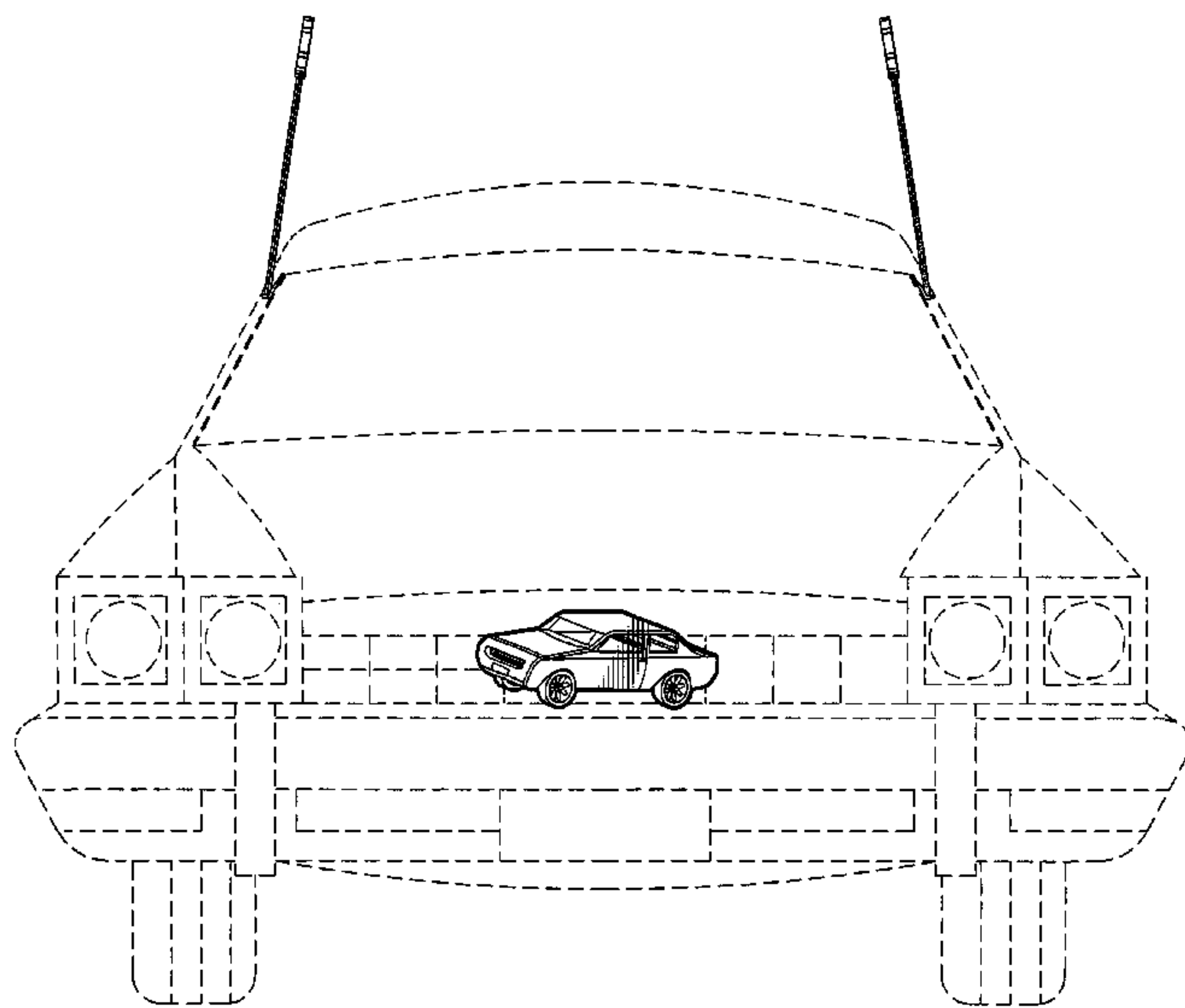
FIG. 2 is an enlarged front perspective view thereof;

FIG. 3 is an enlarged rear perspective view thereof; and,

FIG. 4 is an enlarged top plan view thereof.

The broken line showing of the vehicle in FIG. 1 is for illustrative purposes only and forms no part of the claimed design. The broken line showing of the vehicle attachment means in FIG. 4 is for illustrative purposes only, merely disclosing the types of vehicle attachments that may be used, and forms no part of the claimed design.

1 Claim, 4 Drawing Sheets



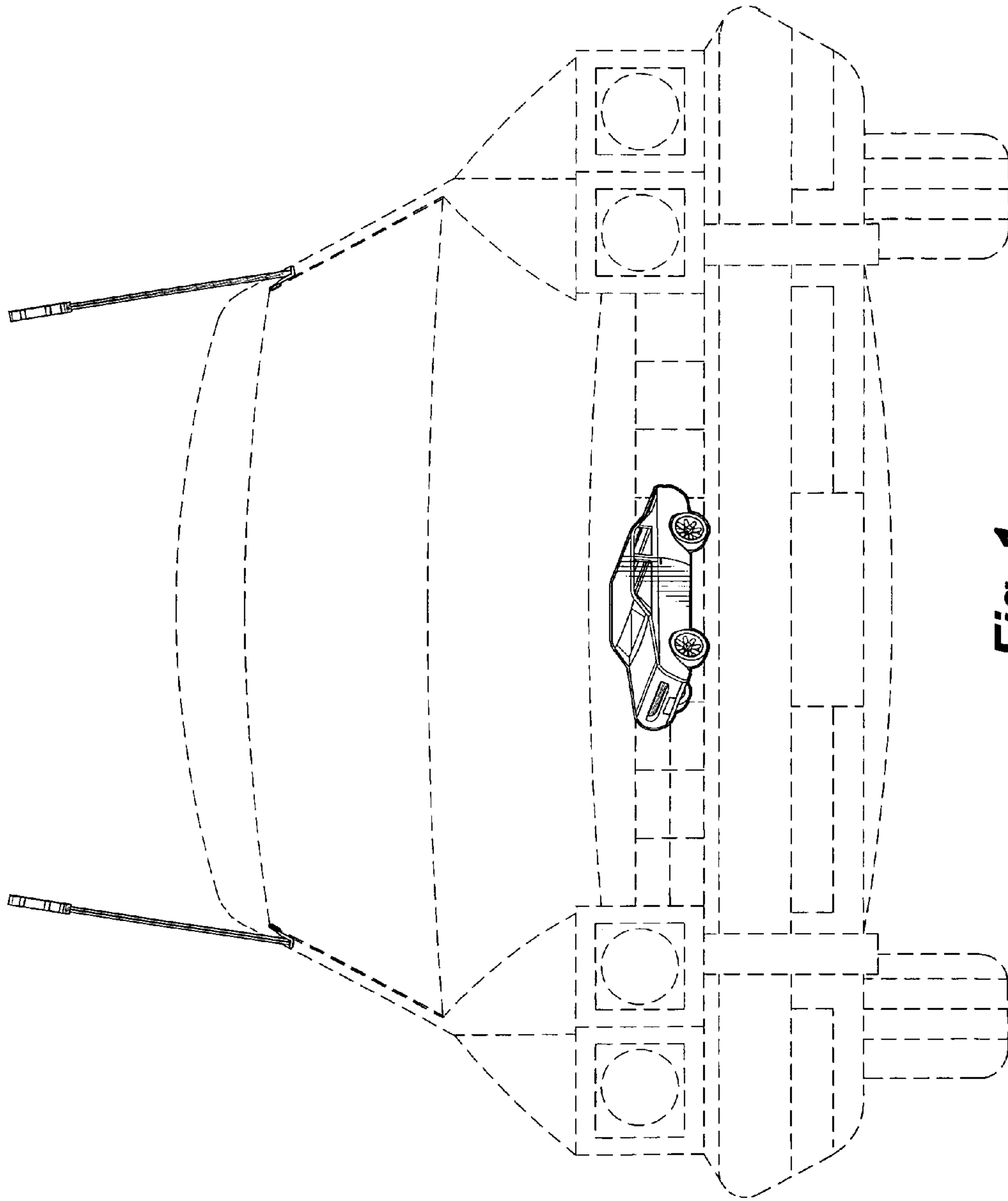


Fig. 1

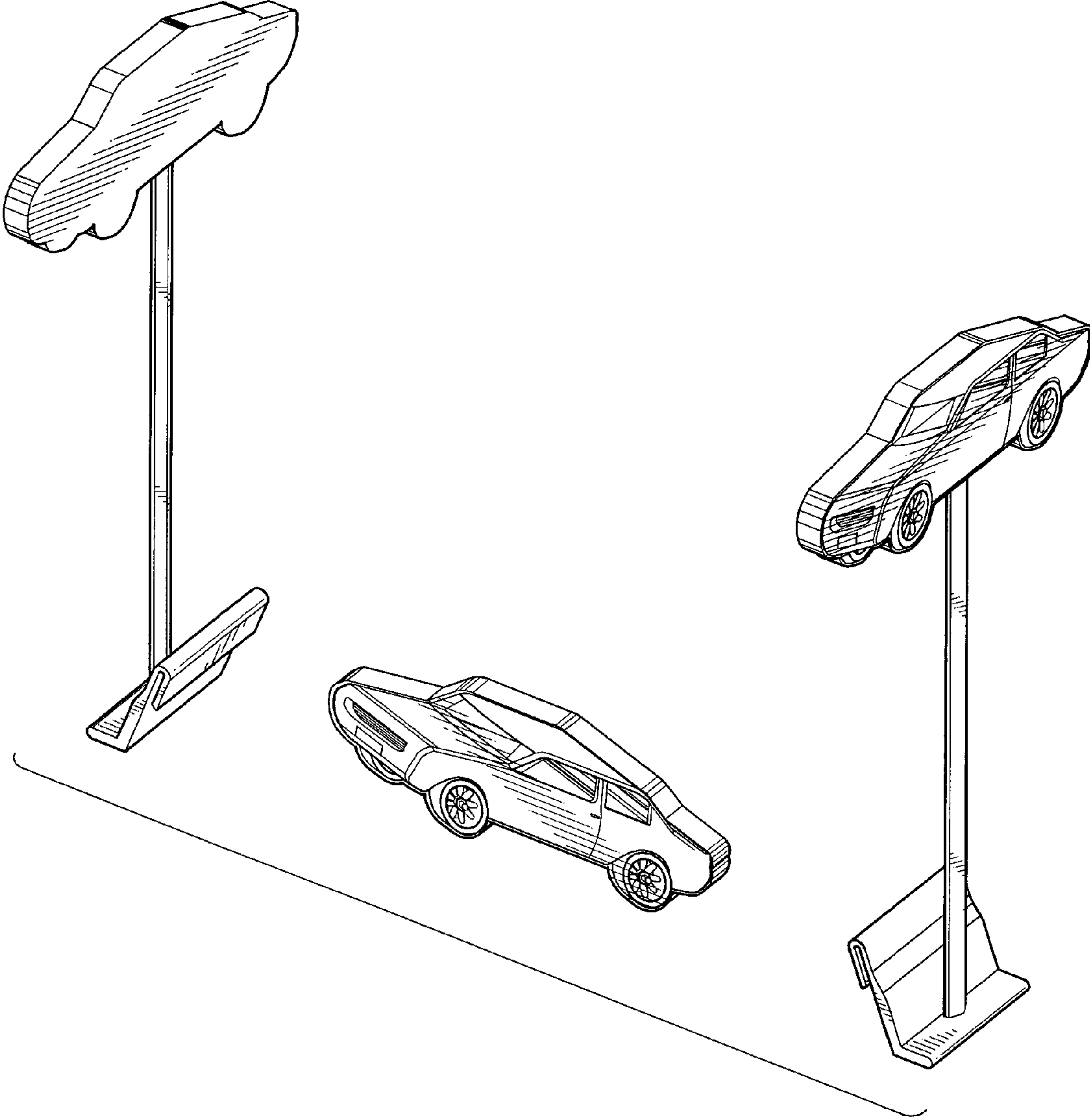


Fig. 2

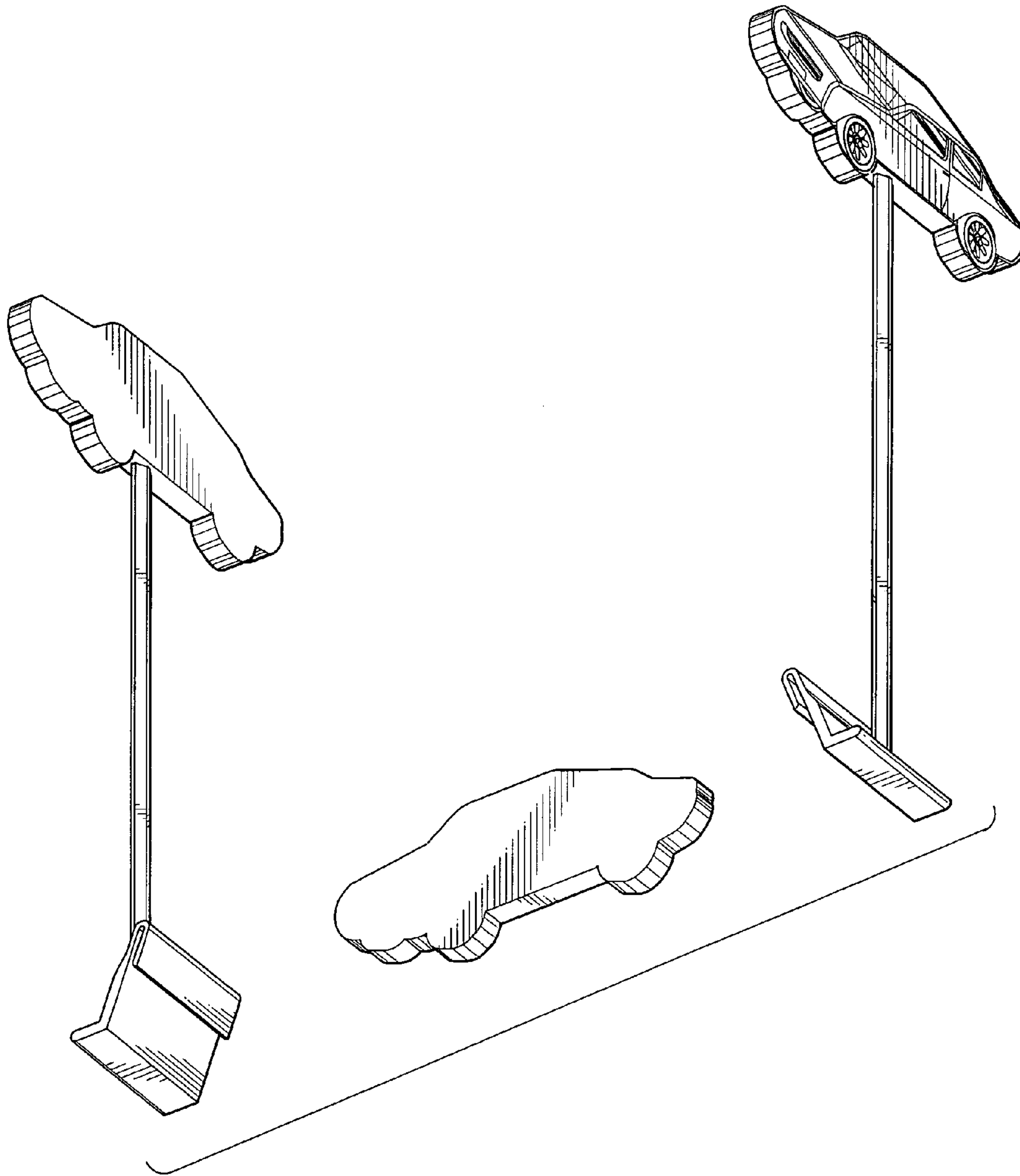


Fig. 3

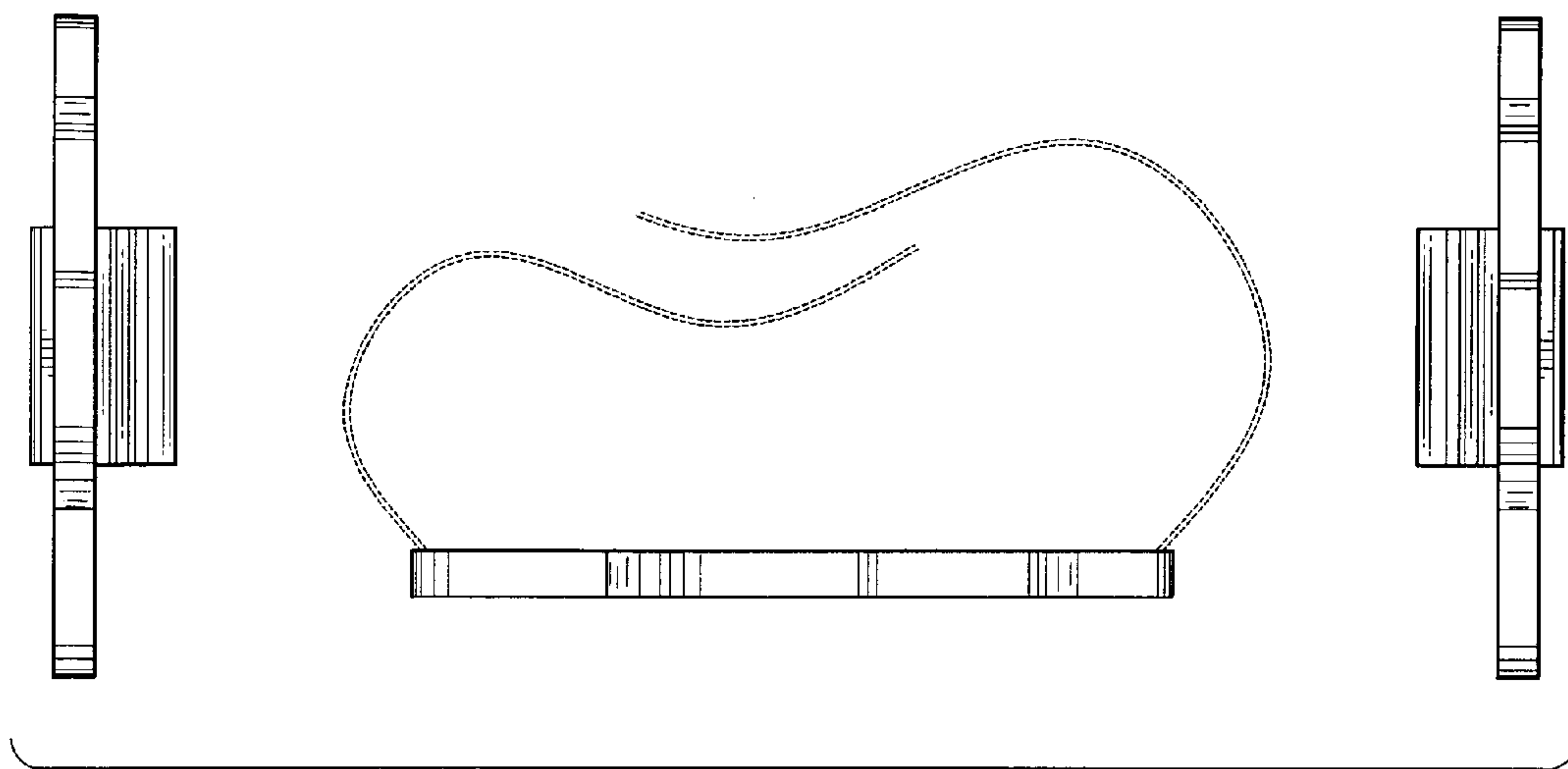


Fig. 4