



US00D599272S

(12) **United States Design Patent**
Feder

(10) **Patent No.:** **US D599,272 S**
(45) **Date of Patent:** **** Sep. 1, 2009**

(54) **HOLDING DEVICE FOR USE IN
AUTOMOBILES**

(76) Inventor: **Ron Feder**, 5000 N. Parkway Calabasas,
#100, Calabasas, CA (US) 91302

(**) Term: **14 Years**

(21) Appl. No.: **29/326,662**

(22) Filed: **Oct. 22, 2008**

(51) **LOC (9) Cl.** **12-06**

(52) **U.S. Cl.** **D12/223; D8/354; D8/349**

(58) **Field of Classification Search** **D12/223,**
D12/415-416, 420; D8/354, 349; 297/463.1,
297/188.06, 188.04; 248/230.7

See application file for complete search history.

(56) **References Cited**

U.S. PATENT DOCUMENTS

2,705,122	A	3/1955	Whitehead	
5,094,418	A	3/1992	McBarnes, Jr. et al.	
5,383,588	A	1/1995	Kazel	
5,482,239	A	1/1996	Smith	
5,641,191	A	6/1997	Jia	
5,678,741	A	10/1997	Scheiber	
5,791,614	A *	8/1998	Sims	248/230.7
5,813,354	A *	9/1998	Scott	108/44
D413,464	S *	9/1999	Richter	D6/513
D441,202	S	5/2001	Richter	
6,231,017	B1	5/2001	Watkins	
6,260,750	B1	7/2001	Chiang	
6,502,900	B1	1/2003	Johnston	
6,513,691	B1	2/2003	Edgerly	
6,554,357	B2	4/2003	Moffa	
6,589,017	B1	7/2003	Hanes	
6,607,241	B2 *	8/2003	Johnston	297/188.06
6,863,252	B2	3/2005	Bosson	
7,070,237	B2	7/2006	Rochel	
7,111,814	B1	9/2006	Newman	
7,201,443	B2	4/2007	Cilluffo et al.	
7,364,230	B2 *	4/2008	Zheng	297/188.2

7,395,997	B2 *	7/2008	Padden	248/303
2002/0175254	A1	11/2002	Lee	
2004/0262474	A1	12/2004	Boks et al.	
2005/0006542	A1	1/2005	Hennige	
2005/0224669	A1	10/2005	Lin	
2006/0032996	A1	2/2006	Wu	
2006/0082212	A1 *	4/2006	Chou et al.	297/463.1
2006/0181116	A1	8/2006	Lok	
2006/0243764	A1	11/2006	Chiang	
2006/0255224	A1	11/2006	Hsuing	
2007/0090251	A1	4/2007	Padden	

FOREIGN PATENT DOCUMENTS

FR	2639198	5/1990
JP	05337024	12/1993
WO	WO 2000/30894	6/2000

* cited by examiner

Primary Examiner—Holly H Baynham

Assistant Examiner—Sheryl Lane

(74) *Attorney, Agent, or Firm*—Cislo & Thomas, LLP

(57) **CLAIM**

I claim the ornamental design for a holding device for use in automobiles, as shown and described.

DESCRIPTION

FIG. 1. Is a perspective view of a holding device for use in automobiles, showing my new design;

FIG. 2. Is a bottom view thereof;

FIG. 3. Is a top view thereof;

FIG. 4. Is a right side view thereof;

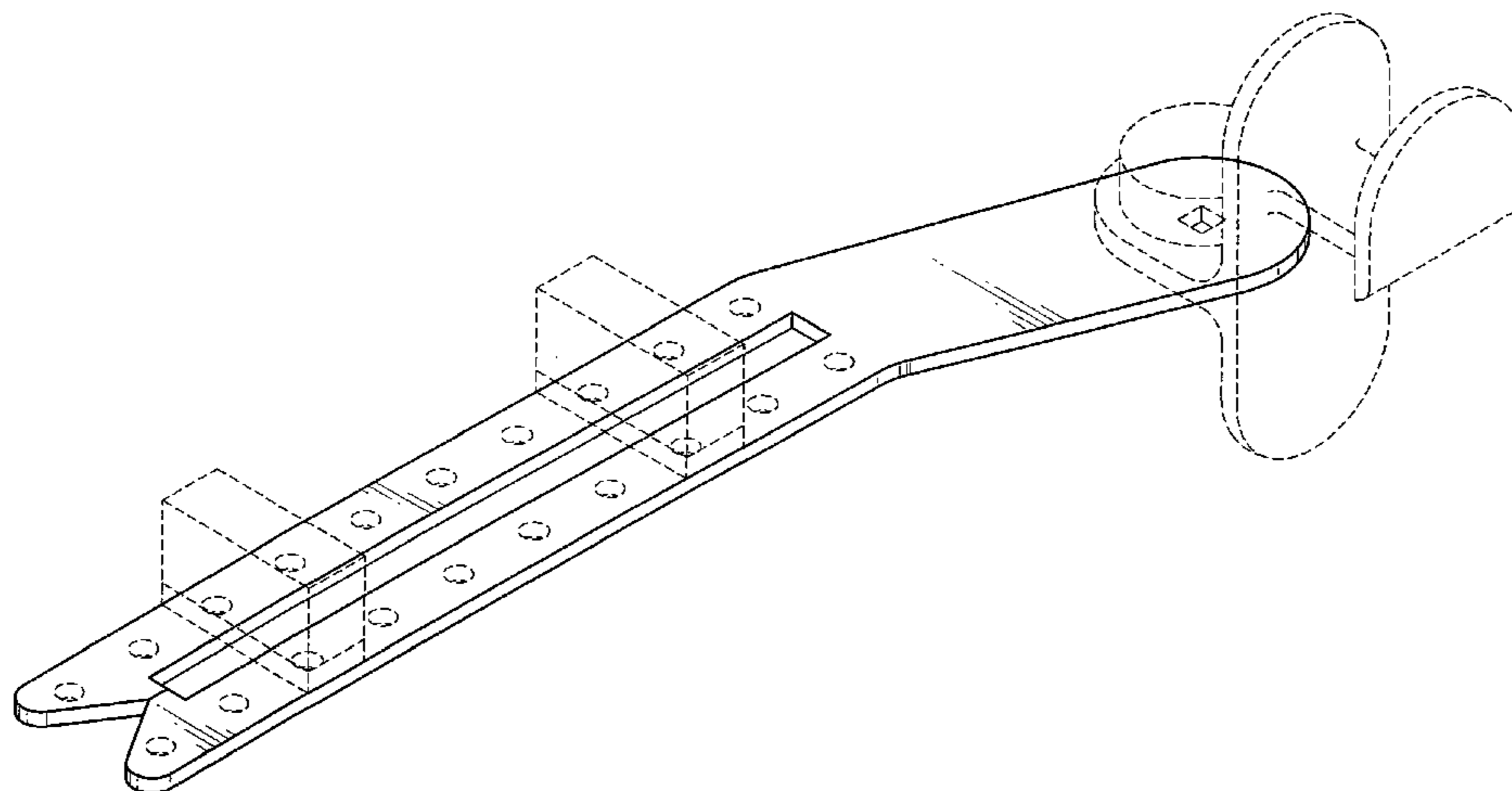
FIG. 5. Is a left side view thereof;

FIG. 6. is a front view thereof; and,

FIG. 7. Is a rear view thereof.

The broken line portions of the disclosure are for illustrative purposes only and form no part of the claimed design.

1 Claim, 7 Drawing Sheets



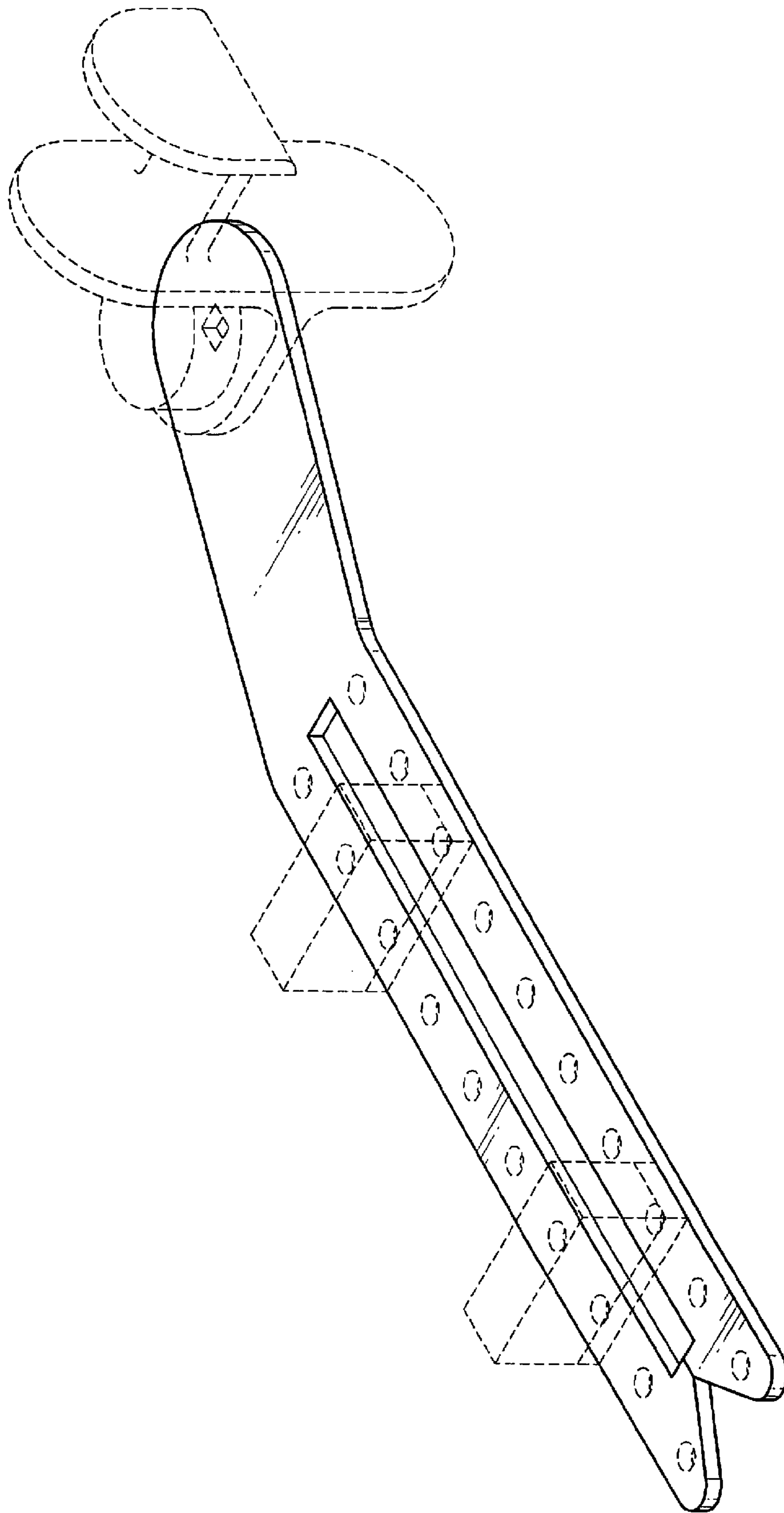


FIG. 1

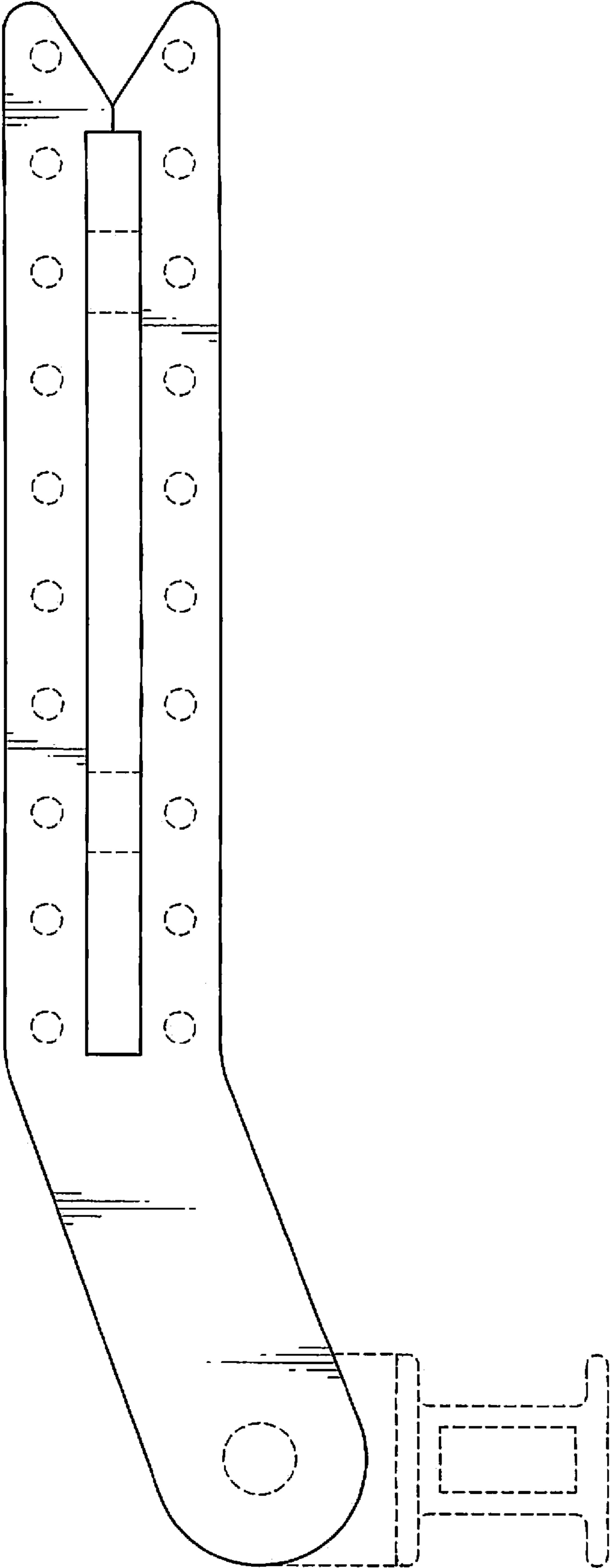


FIG. 2

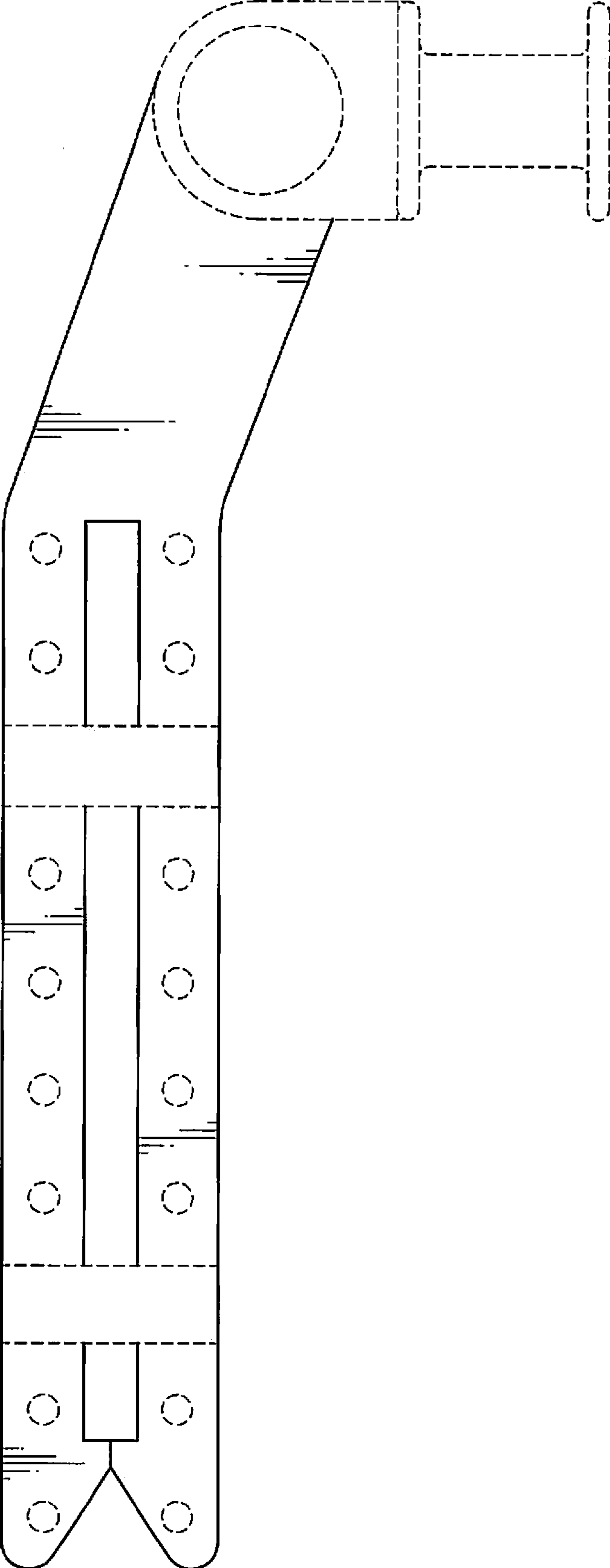


FIG. 3

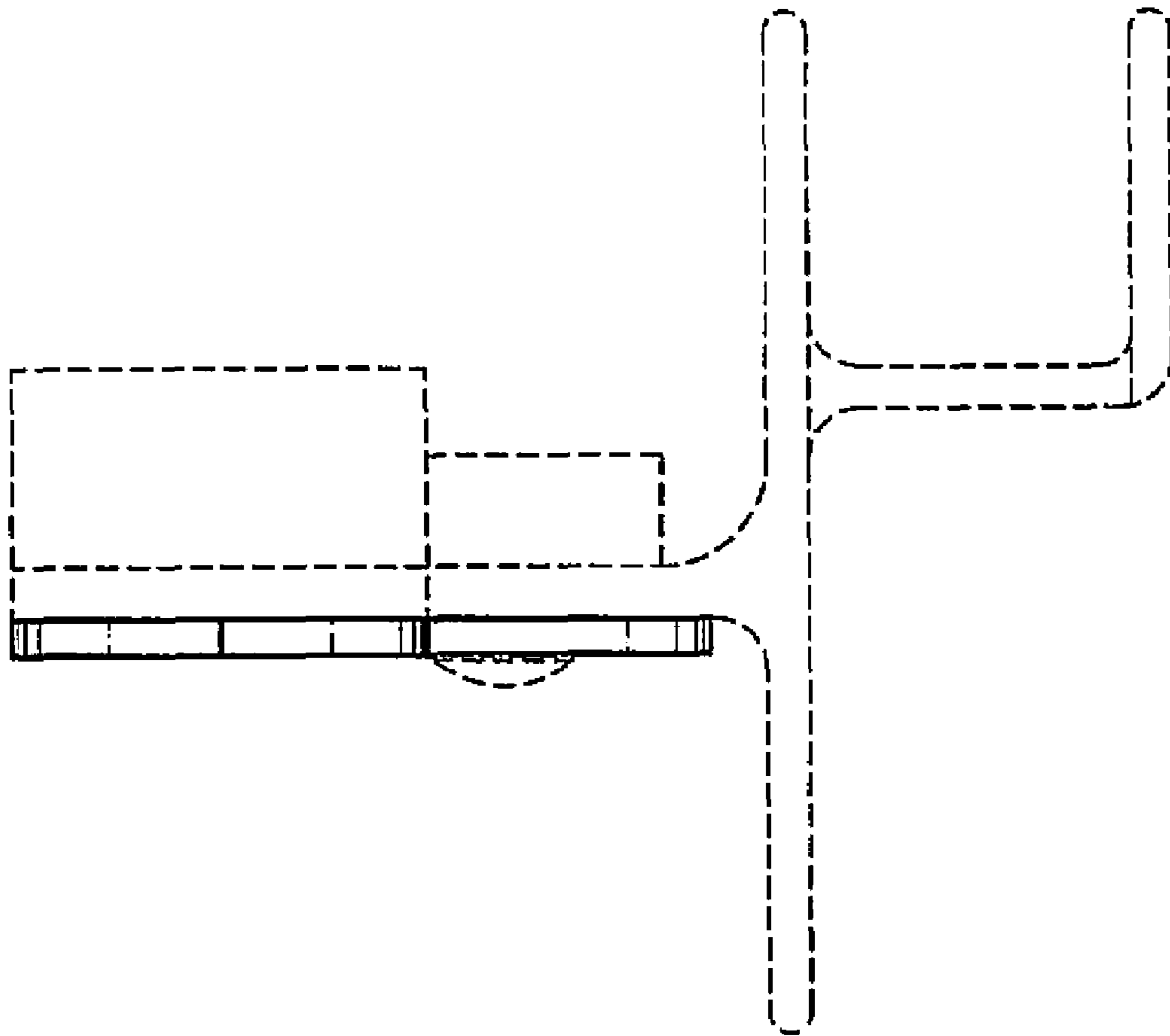


FIG. 4

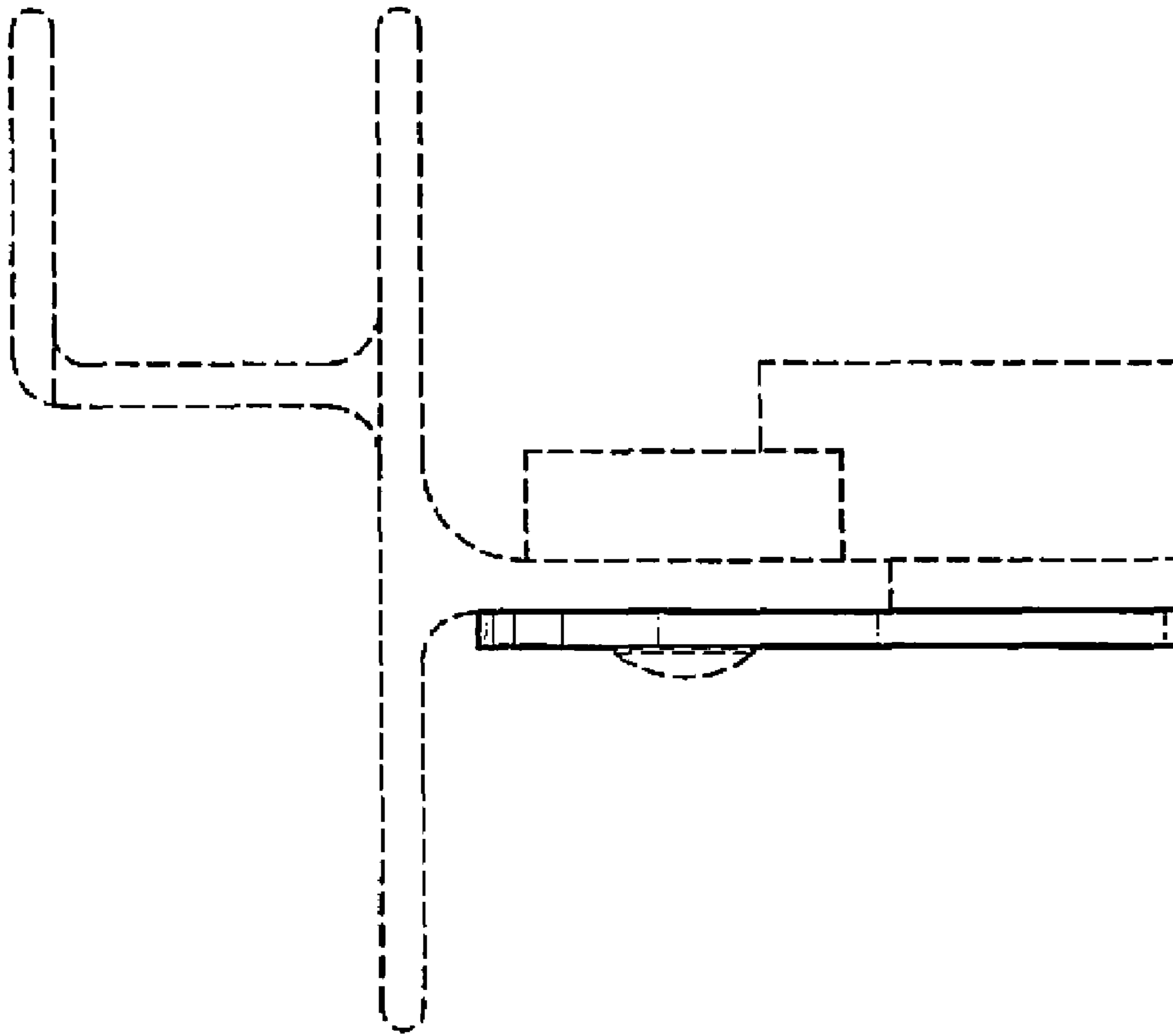


FIG. 5

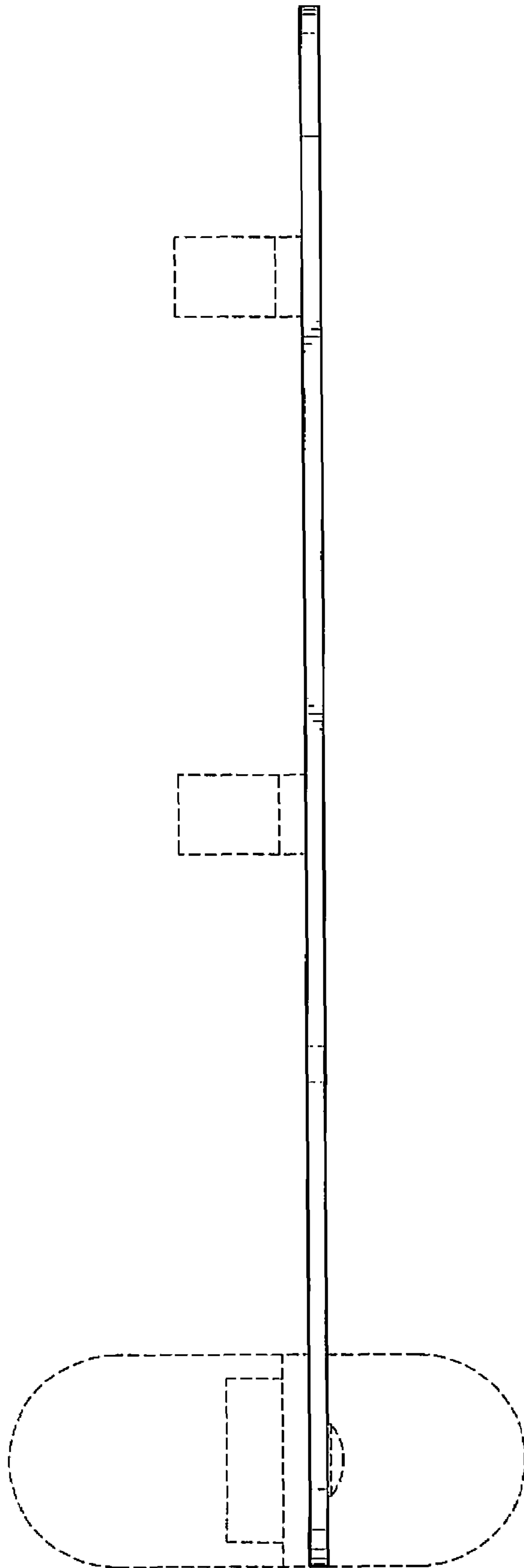


FIG. 6

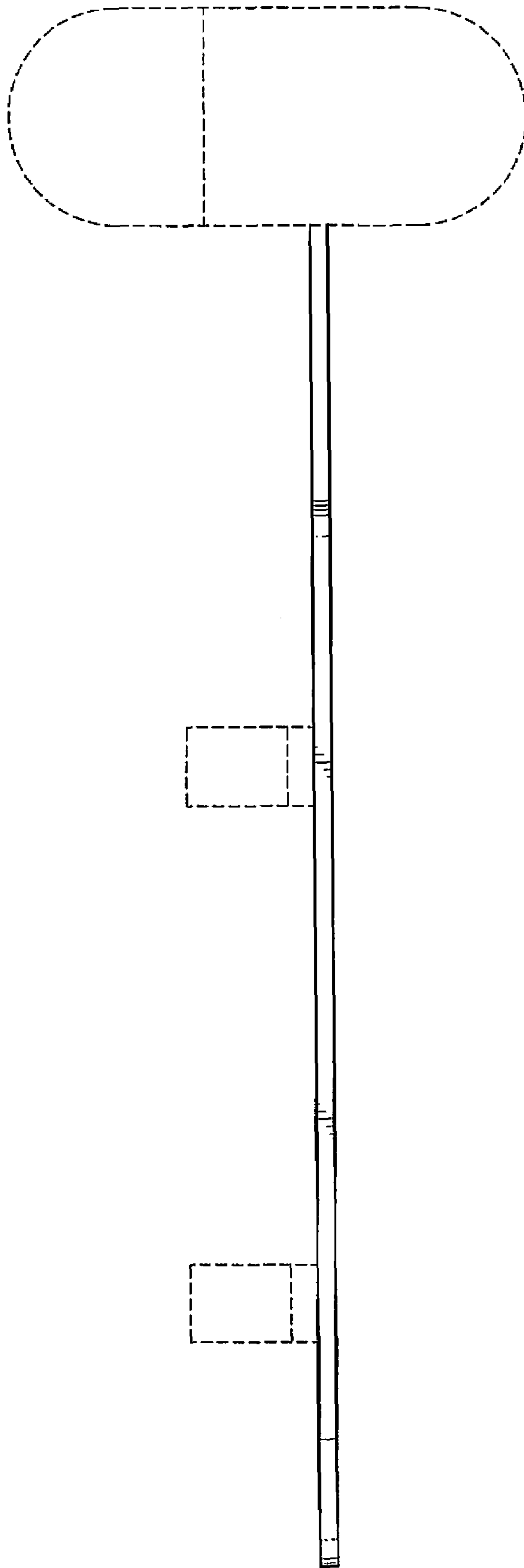


FIG. 7