



US00D599267S

(12) **United States Design Patent**
Morgenstern et al.

(10) **Patent No.:** **US D599,267 S**
(45) **Date of Patent:** **** Sep. 1, 2009**

(54) **WHEEL OR WHEEL COVER**

(75) Inventors: **Sebastian Morgenstern**, Munich (DE);
Peter Theiss, Stuttgart (DE)

(73) Assignee: **Bayerische Motoren Werke Aktiengesellschaft**, Munich (DE)

(**) Term: **14 Years**

(21) Appl. No.: **29/309,984**

(22) Filed: **Nov. 26, 2008**

(30) **Foreign Application Priority Data**

May 28, 2008 (DE) 402008002581

(51) **LOC (9) Cl.** **12-16**

(52) **U.S. Cl.** **D12/211**

(58) **Field of Classification Search** D12/204–213;
301/37.101, 64.101, 65, 64.201

See application file for complete search history.

(56) **References Cited**

U.S. PATENT DOCUMENTS

D407,057 S *	3/1999	Goplen	D12/211
D470,093 S	2/2003	Frizzi		
D493,405 S	7/2004	Boyer		
D500,470 S	1/2005	Rice		
D504,649 S *	5/2005	Pfeiffer	D12/209
D514,495 S *	2/2006	Hieke	D12/211
D515,996 S *	2/2006	Baumgartner	D12/209
D519,434 S	4/2006	Werner		
D519,902 S *	5/2006	Pfeiffer	D12/209
D521,921 S *	5/2006	Hueller	D12/209
D525,928 S *	8/2006	Pfeiffer	D12/209
D526,268 S *	8/2006	Pfeiffer	D12/211
D528,059 S *	9/2006	Hieke	D12/209
D532,733 S *	11/2006	Hieke	D12/209
D532,734 S *	11/2006	Hieke	D12/209

D535,933 S	1/2007	Markefka		
D537,027 S *	2/2007	Hieke	D12/211
D542,729 S *	5/2007	Hieke	D12/211
D573,079 S	7/2008	Huet		
D578,949 S *	10/2008	Hieke	D12/211

FOREIGN PATENT DOCUMENTS

EM	000255609-0002	2/2005
EM	000735758-0002	7/2007
EM	000384490-0004	2/2008
WO	DM/061794	8/2002

OTHER PUBLICATIONS

“Prius Accessories & Customize Catalogue,” Kyoho Machine Works Ltd., Jan. 18, 2007, p. 5, Archives Reference No. HC18064276.

* cited by examiner

Primary Examiner—Cathron C Brooks

Assistant Examiner—Austin Murphy

(74) *Attorney, Agent, or Firm*—Crowell & Moring LLP

(57) **CLAIM**

The ornamental design for a wheel or wheel cover, as shown and described.

DESCRIPTION

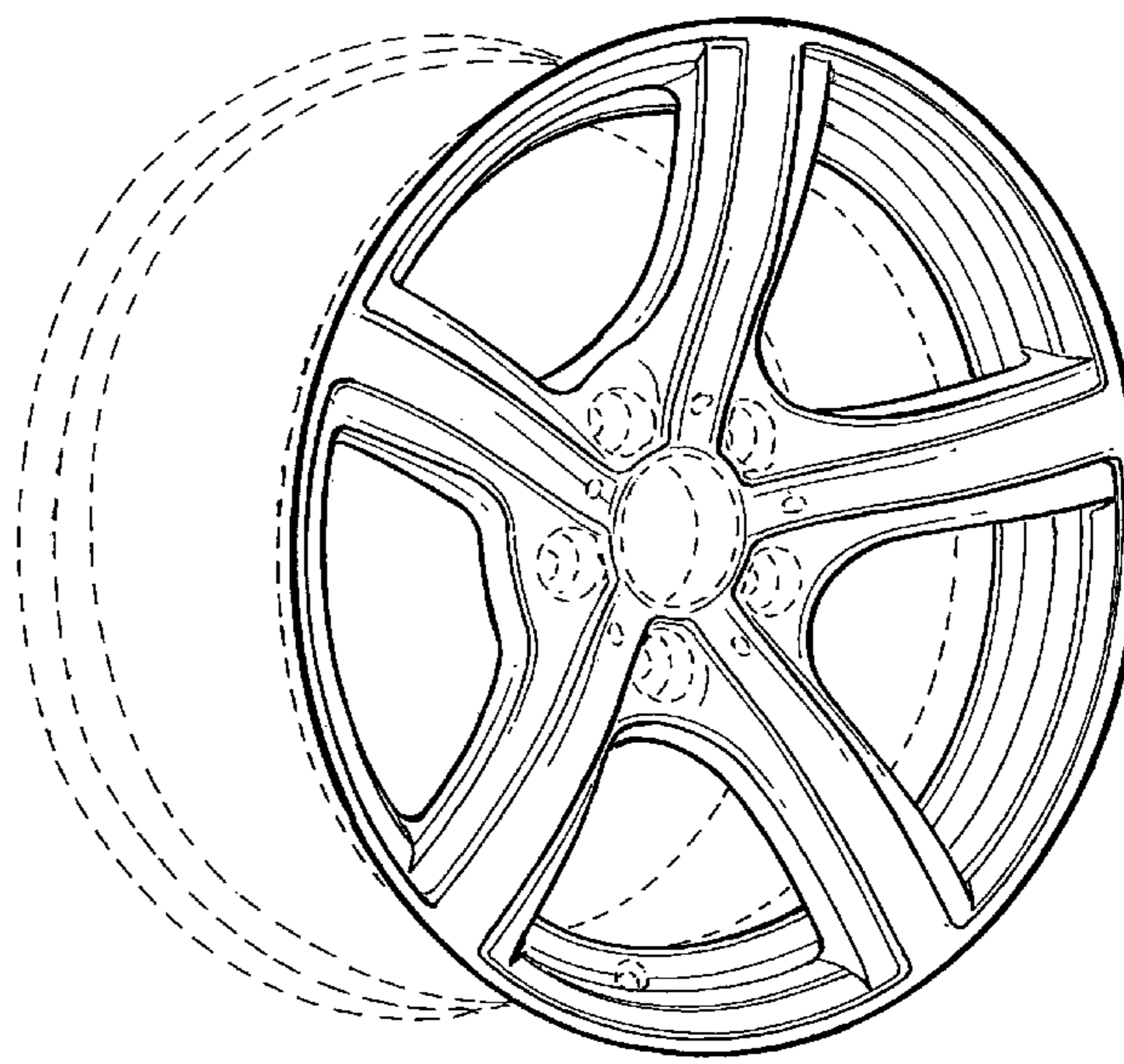
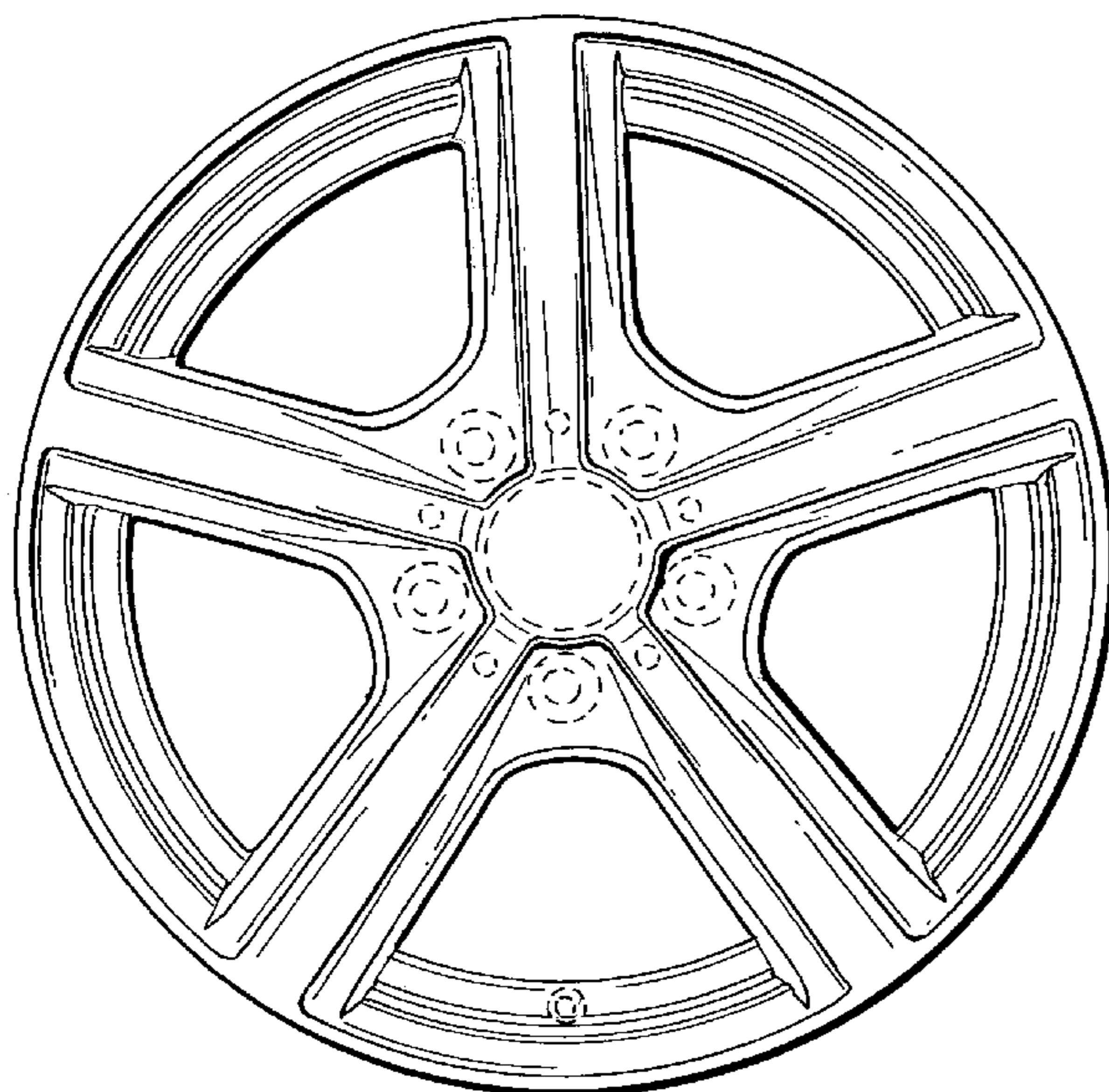
This application is related to the following co-pending applications: Ser. No. 29/290,528, filed Dec. 13, 2007 (now U.S. Pat. No. D589,425); and Ser. No. 29/290,879, filed Jan. 25, 2008 (now U.S. Pat. No. D589,863).

FIG. 1 is a front view of a wheel or wheel cover according to our design; and,

FIG. 2 is a perspective view thereof.

The broken lines are for illustrative purposes only and form no part of the claimed design.

1 Claim, 1 Drawing Sheet



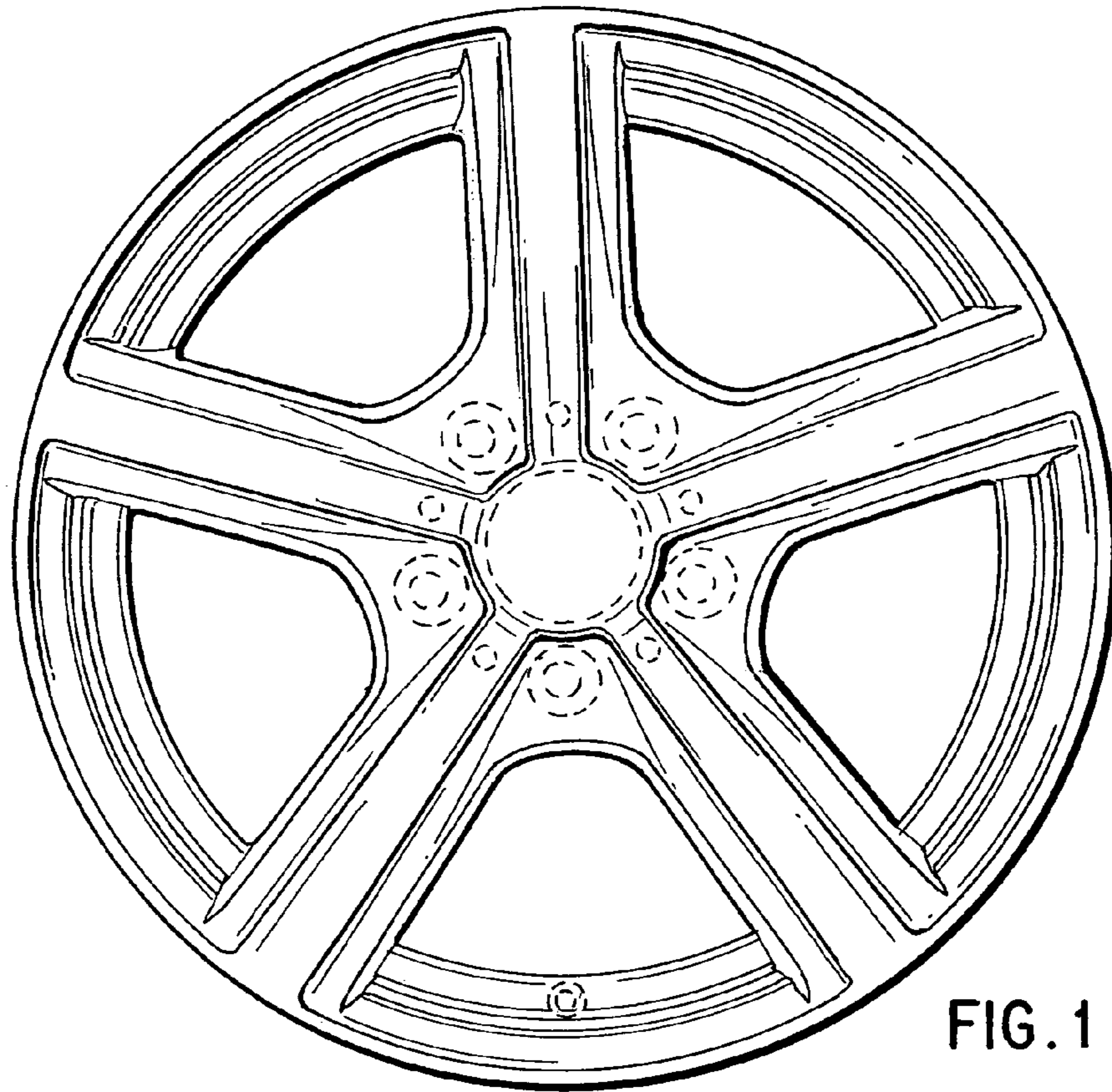


FIG. 1

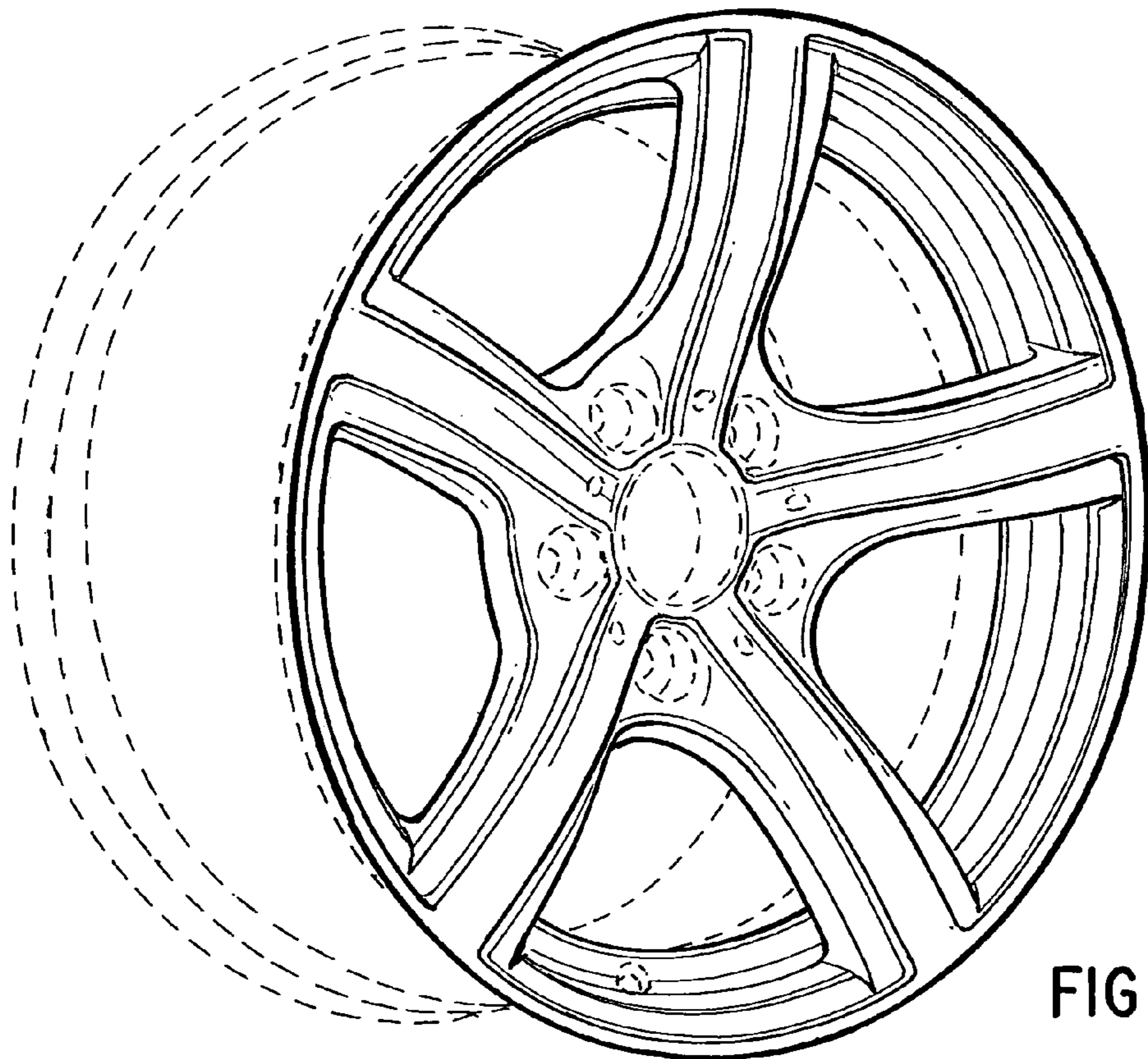


FIG. 2