



US00D599254S

(12) **United States Design Patent**
Butts

(10) **Patent No.:** **US D599,254 S**
(45) **Date of Patent:** **** Sep. 1, 2009**

(54) **WINDSHIELD STAND**

(76) Inventor: **Jimmy Ray Butts**, 2474 Old Clarksville Pike, Ashland City, TN (US) 37015

(**) Term: **14 Years**

(21) Appl. No.: **29/312,957**

(22) Filed: **Nov. 25, 2008**

(51) **LOC (9) Cl.** **12-11**

(52) **U.S. Cl.** **D12/114; D12/406**

(58) **Field of Classification Search** D12/110, D12/114, 400, 115, 120, 406, 407, 408; D6/449, D6/458, 462-465; 296/78.1, 84.1, 95.1, 296/1.07; 280/288.4; 211/5, 17-22, 41.12, 211/41.14, 42, 34, 35, 13.1, 7, 37; 180/219
See application file for complete search history.

(56) **References Cited**

U.S. PATENT DOCUMENTS

D190,501 S * 6/1961 Von Meyer D6/407
5,465,883 A * 11/1995 Woodward 224/495
6,247,601 B1 * 6/2001 Norton et al. 211/41.14
6,679,537 B1 * 1/2004 Putnam, Jr. 296/78.1

* cited by examiner

Primary Examiner—Robin V Webster

Assistant Examiner—Linda Brooks

(74) *Attorney, Agent, or Firm*—David D. Winters

(57) **CLAIM**

The ornamental design for a windshield stand, as shown and described.

DESCRIPTION

FIG. 1 is a perspective view of the windshield stand.

FIG. 2 is a perspective view of the windshield stand shown in a position of use, with an unclaimed windshield shown in broken lines and forming no part of the claimed design.

FIG. 3 is a front view of the windshield stand.

FIG. 4 is a right side view of the windshield stand.

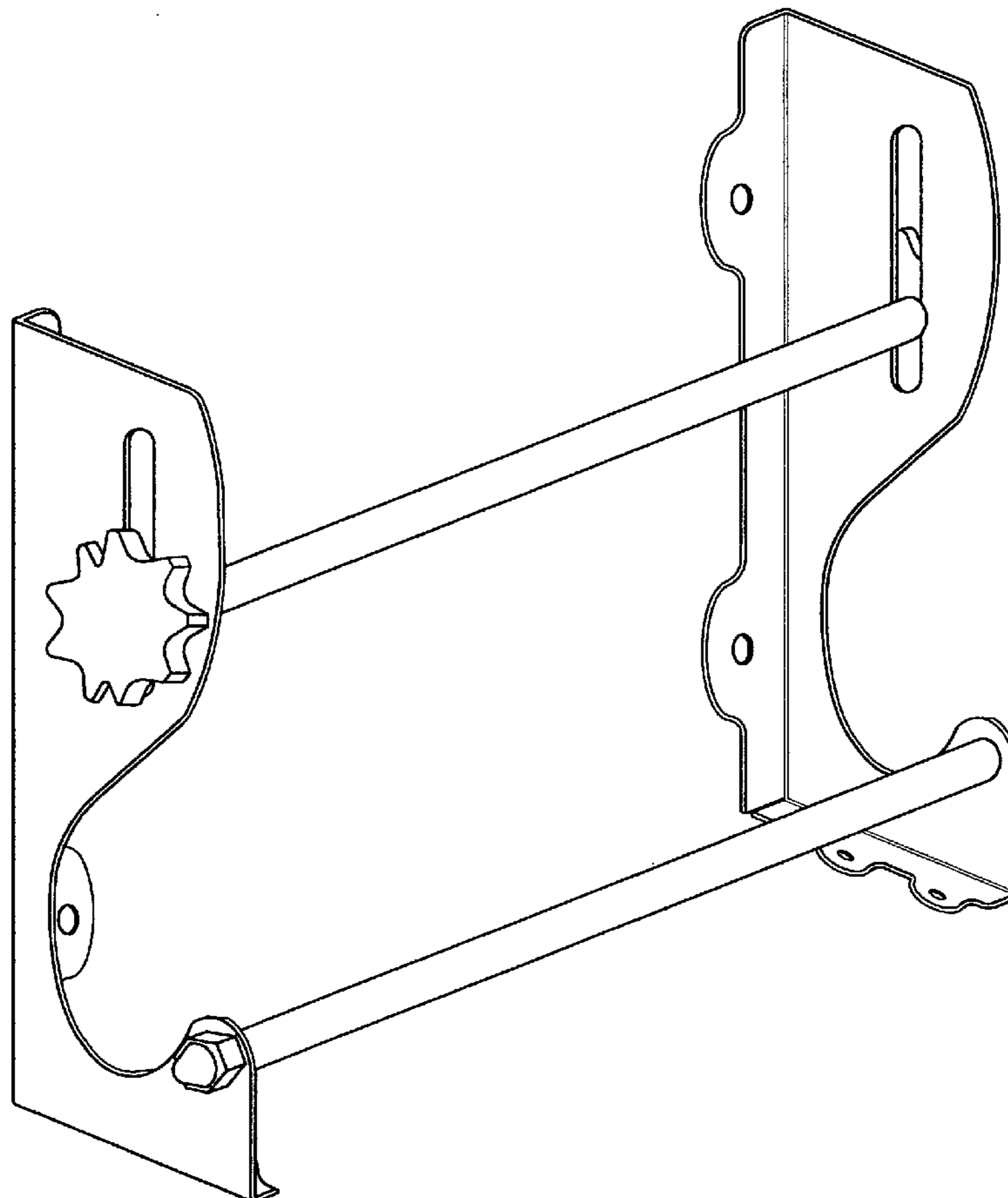
FIG. 5 is a bottom view of the windshield stand.

FIG. 6 is a left side view of the windshield stand.

FIG. 7 is a back view of the windshield stand; and,

FIG. 8 is a top view of the windshield stand.

1 Claim, 4 Drawing Sheets



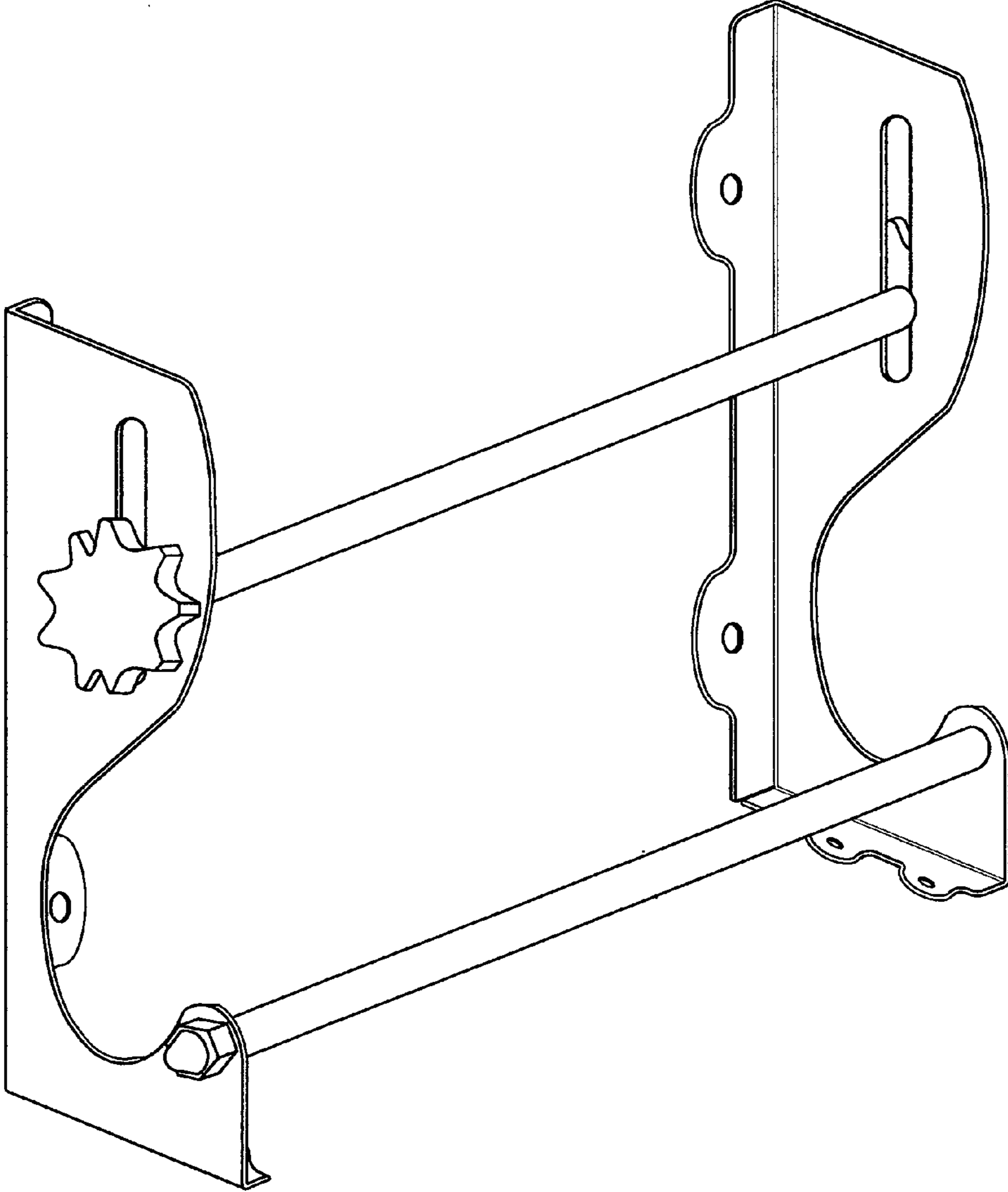


Fig. 1

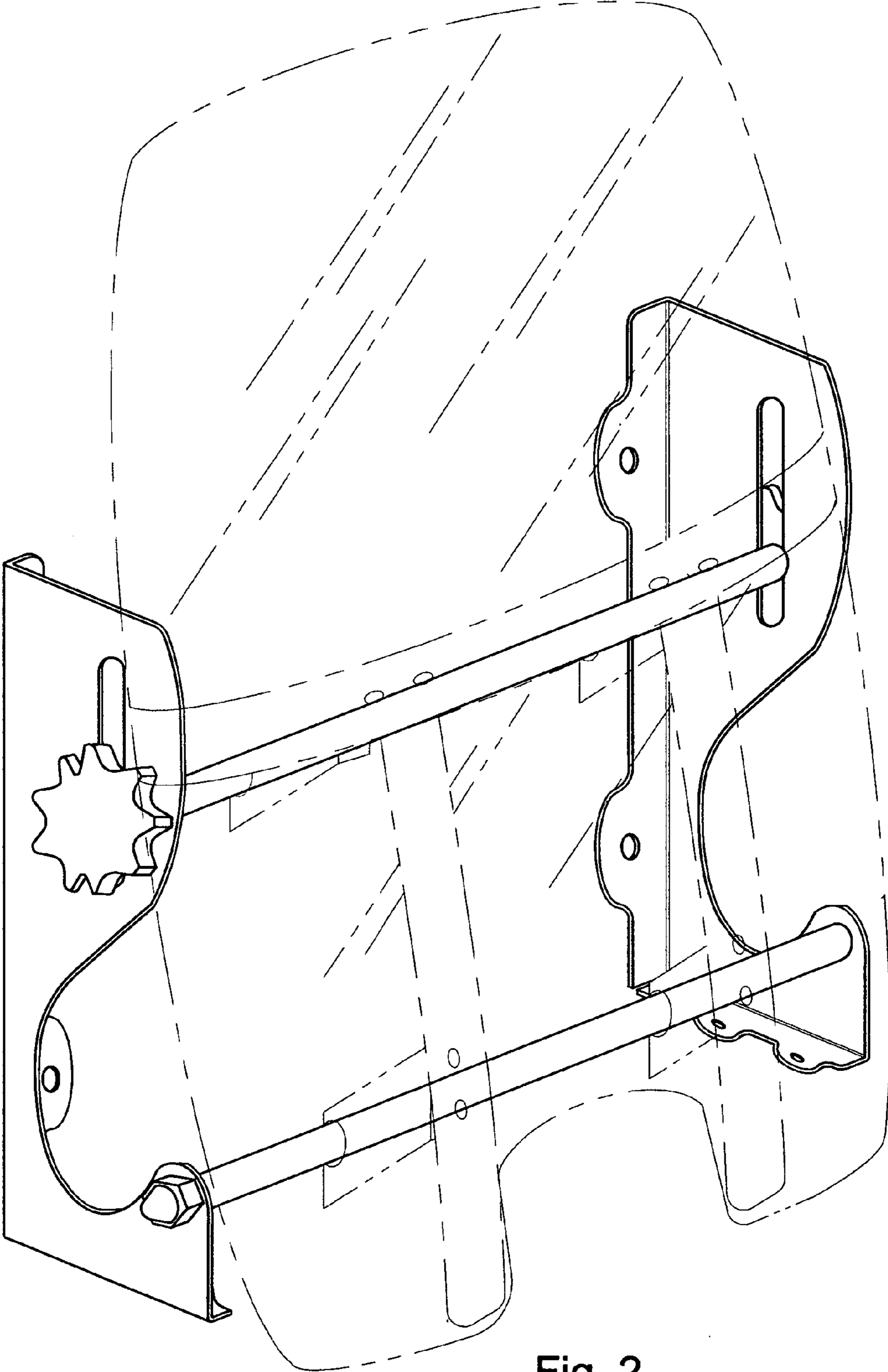


Fig. 2

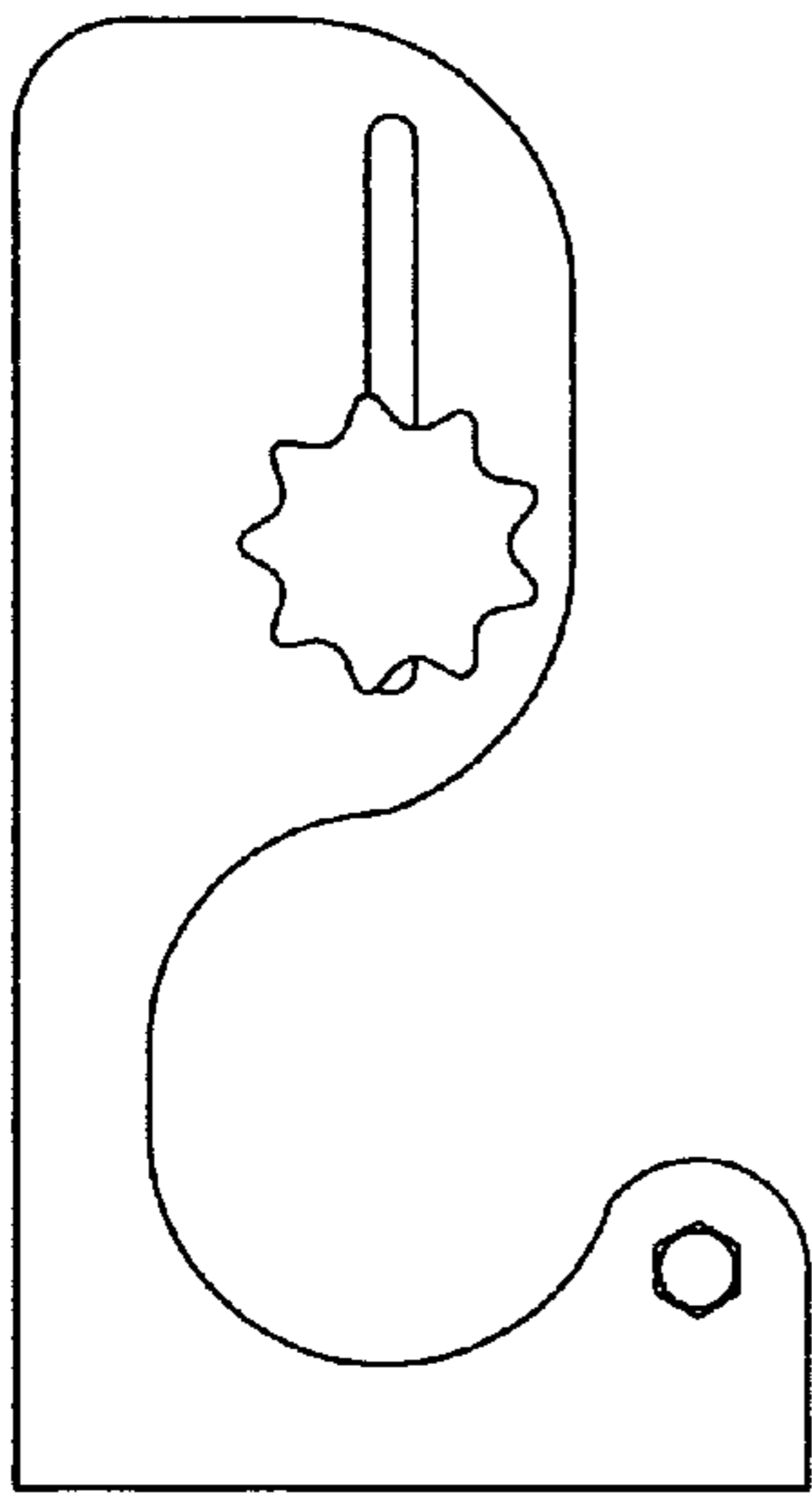


Fig. 3

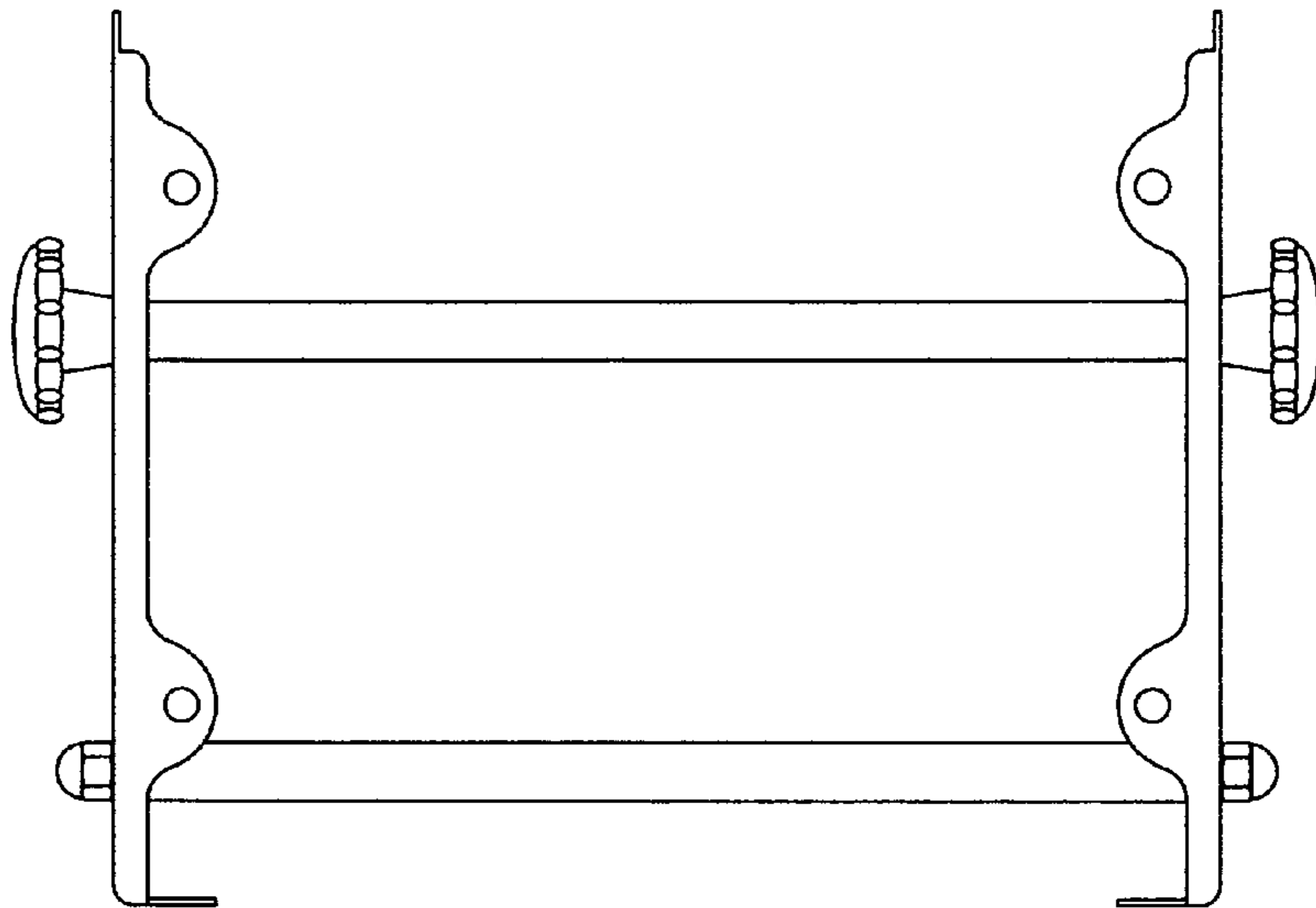


Fig. 4

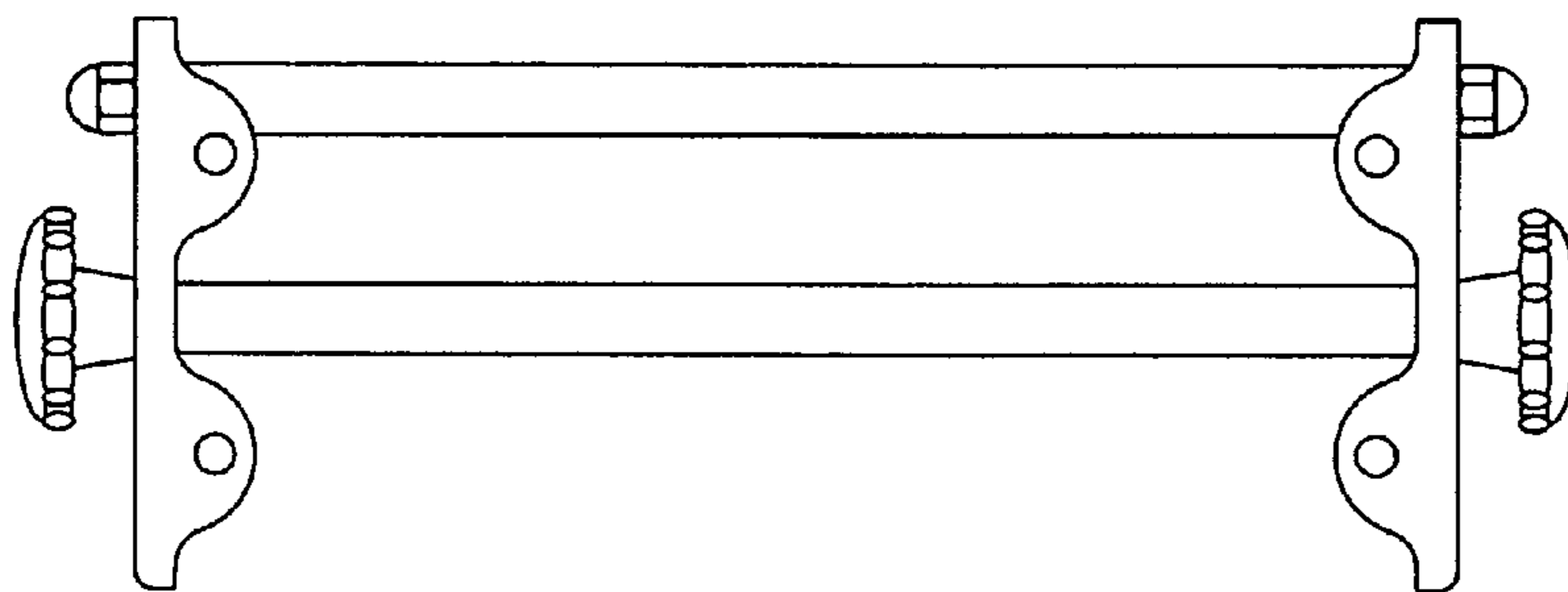


Fig. 5

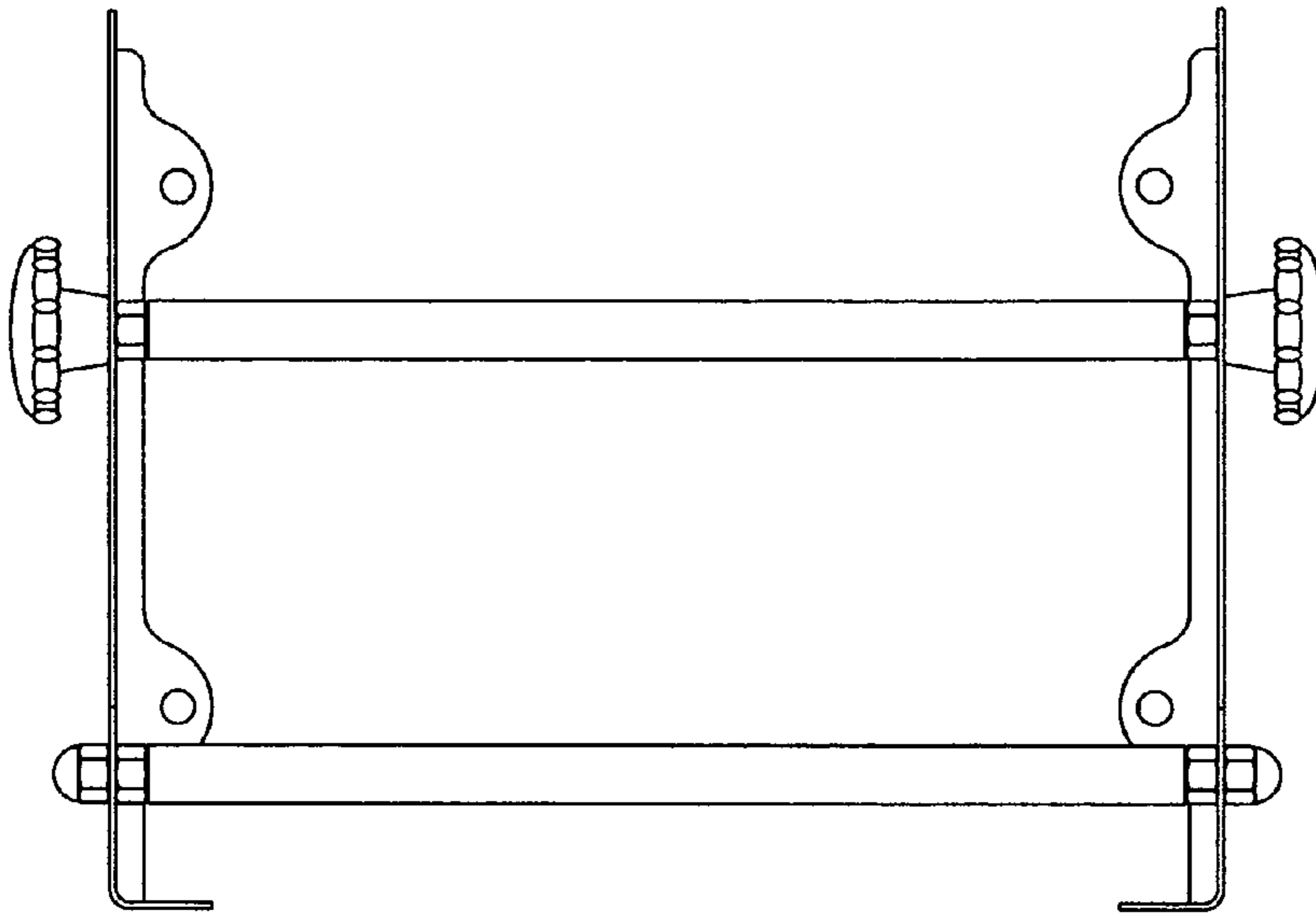


Fig. 6

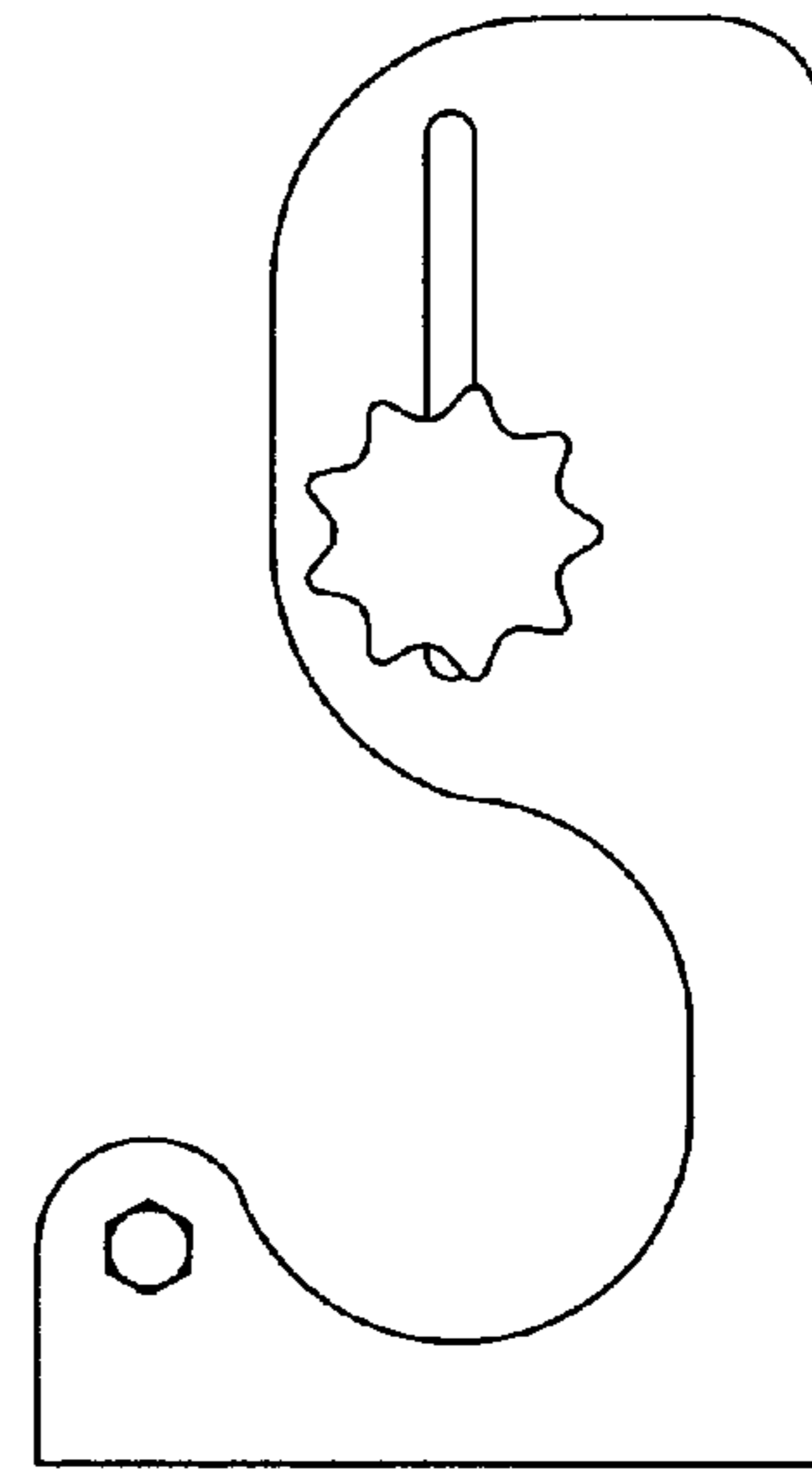


Fig. 7

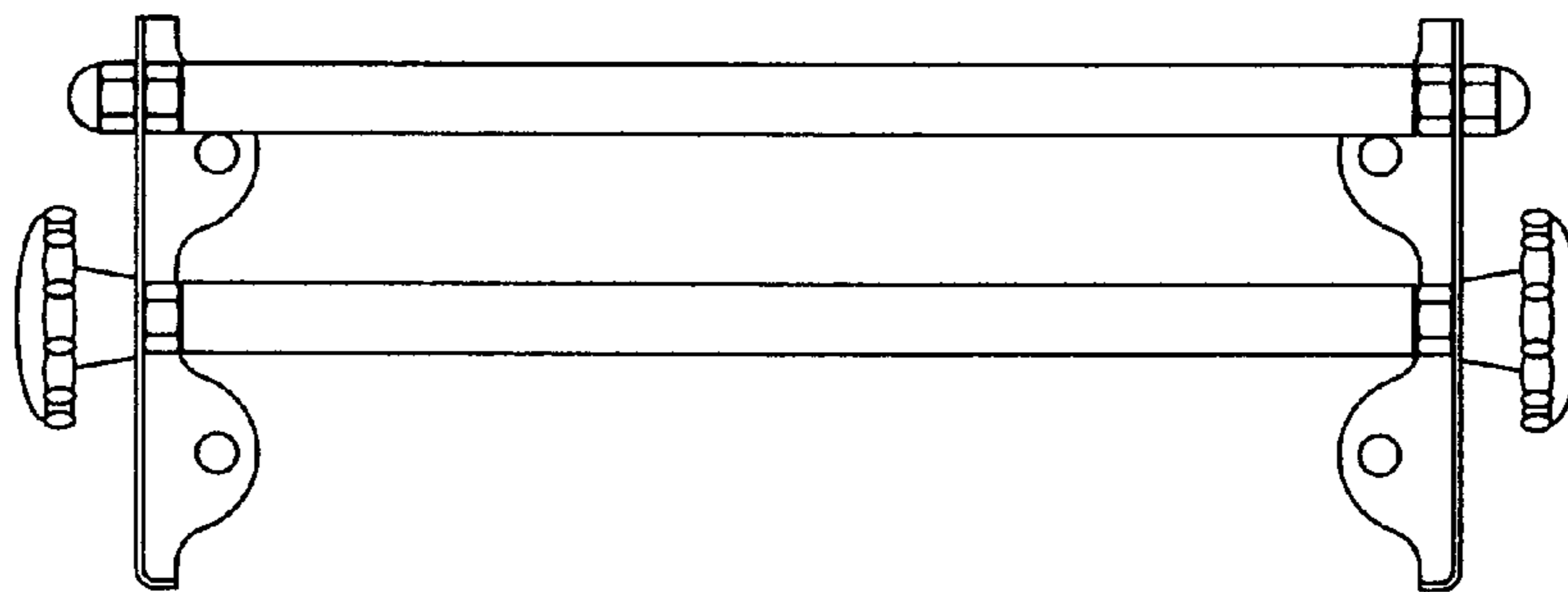


Fig. 8