



US00D599252S

(12) **United States Design Patent**
Isokari et al.

(10) **Patent No.:** **US D599,252 S**
(45) **Date of Patent:** **** Sep. 1, 2009**

(54) **MOTORCYCLE**

(75) Inventors: **Satoshi Isokari**, Hamamatsu (JP); **Naoto Maeda**, Hamamatsu (JP); **Kenta Tsuyuki**, Hamamatsu (JP)

(73) Assignee: **Suzuki Motor Corporation**, Hamamatsu-shi, Shizuoka Prefecture (JP)

(**) Term: **14 Years**

(21) Appl. No.: **29/319,004**

(22) Filed: **Jun. 2, 2008**

(30) **Foreign Application Priority Data**

Dec. 11, 2007 (JP) 2007-33844

(51) **LOC (9) Cl.** **12-11**

(52) **U.S. Cl.** **D12/110**

(58) **Field of Classification Search** D12/110;
180/219, 220, 225, 229

See application file for complete search history.

(56) **References Cited**

U.S. PATENT DOCUMENTS

- D288,796 S * 3/1987 Nakano et al. D12/110
- D516,468 S * 3/2006 Kuboshima et al. D12/110
- D531,090 S * 10/2006 Iimura D12/110
- D559,738 S * 1/2008 Takigawa et al. D12/110

D582,317 S * 12/2008 Takigawa et al. D12/110

* cited by examiner

Primary Examiner—Robin V Webster

Assistant Examiner—Linda Brooks

(74) *Attorney, Agent, or Firm*—Dana M. Gordon; Foley Hoag LLP

(57) **CLAIM**

The ornamental design for a motorcycle, as shown and described.

DESCRIPTION

FIG. 1 is a front view of a motorcycle showing my new design;

FIG. 2 is a front perspective view of the right side thereof;

FIG. 3 is a right side view thereof;

FIG. 4 is a rear perspective view of the right side thereof;

FIG. 5 is a rear view thereof;

FIG. 6 is a rear perspective view of the left side thereof;

FIG. 7 is a left side view thereof;

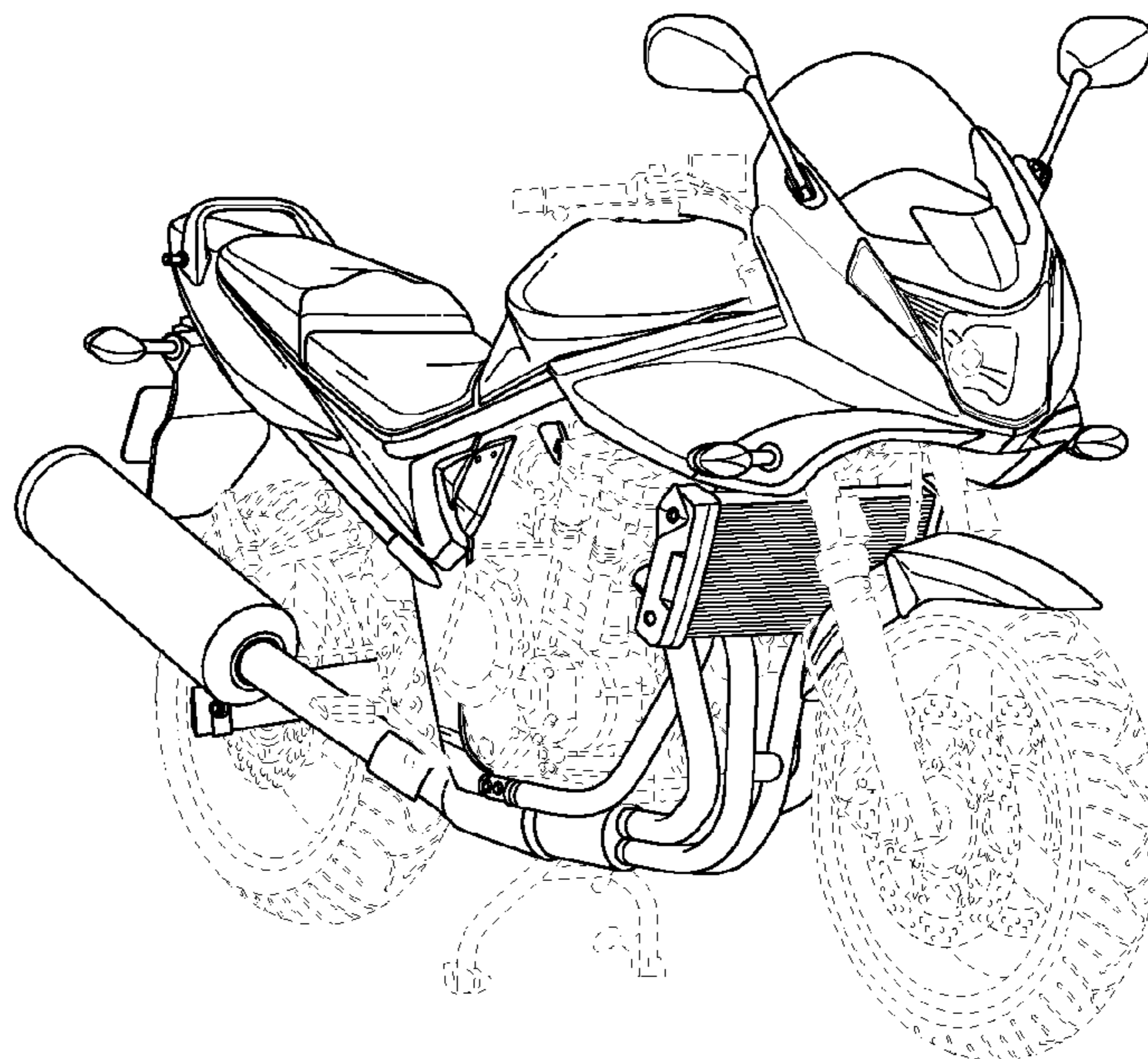
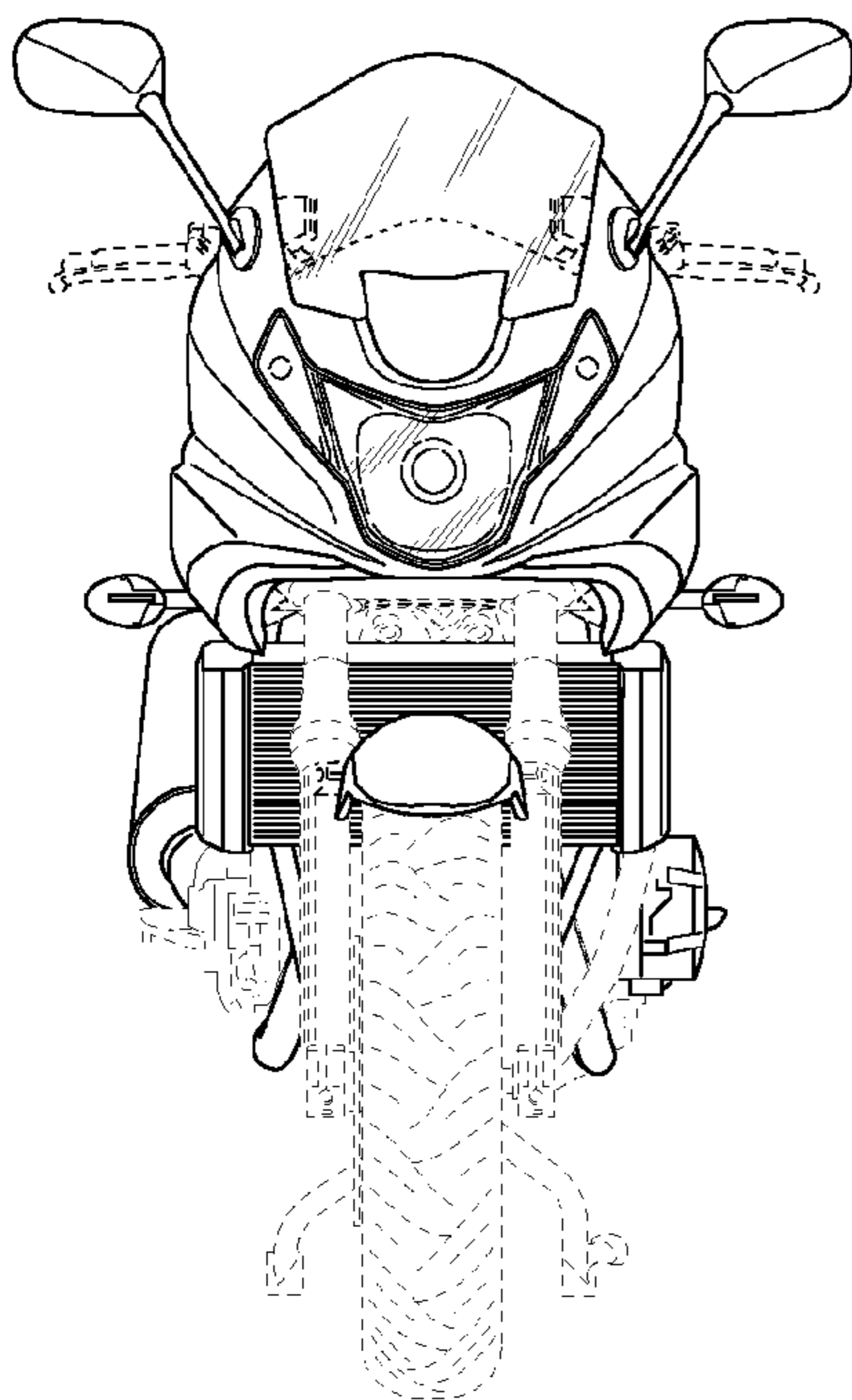
FIG. 8 is a front perspective view of the left side thereof;

FIG. 9 is a top view thereof; and,

FIG. 10 is a bottom view thereof.

The portions shown in broken lines form no part of the claimed design.

1 Claim, 10 Drawing Sheets



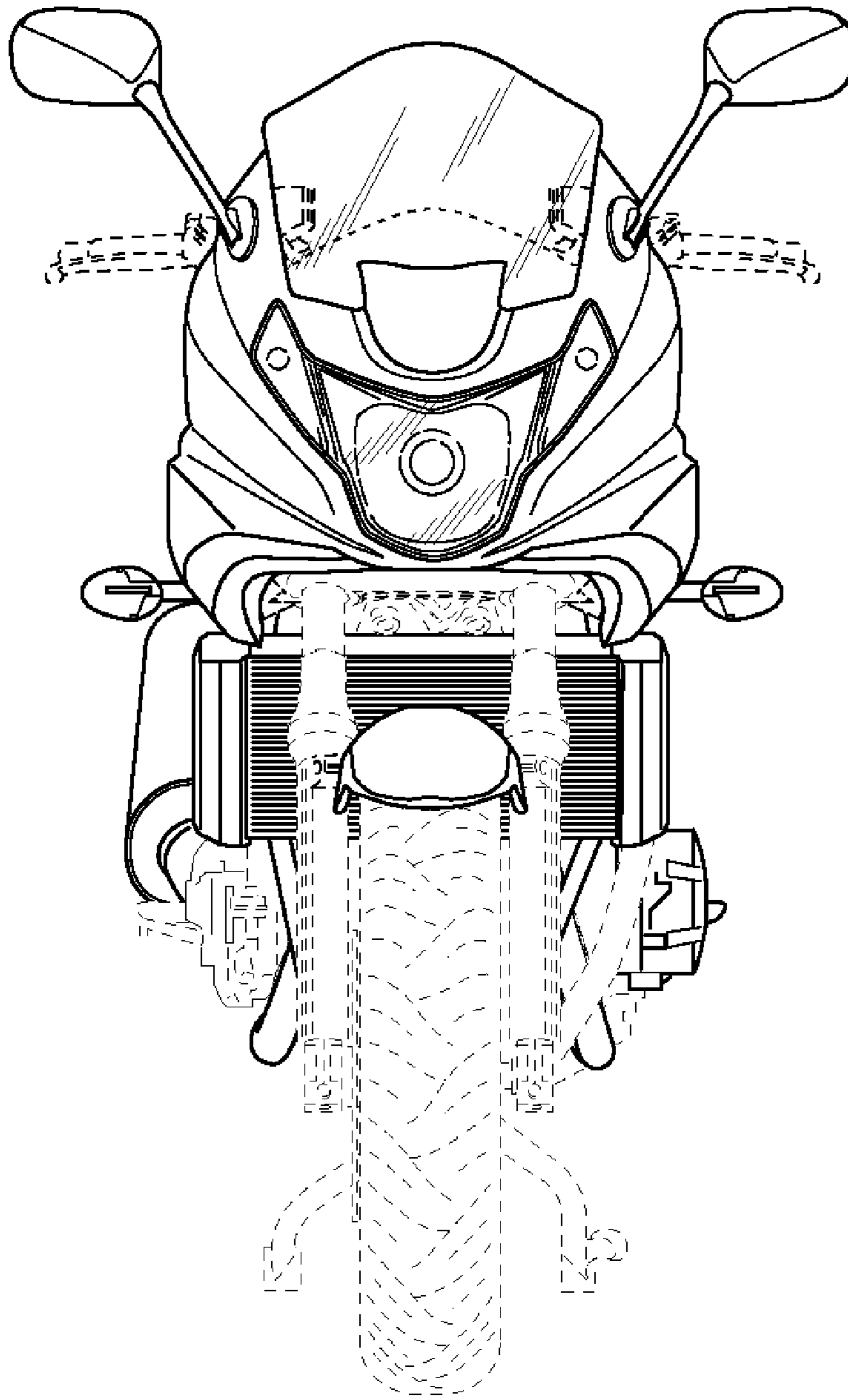


Fig. 1

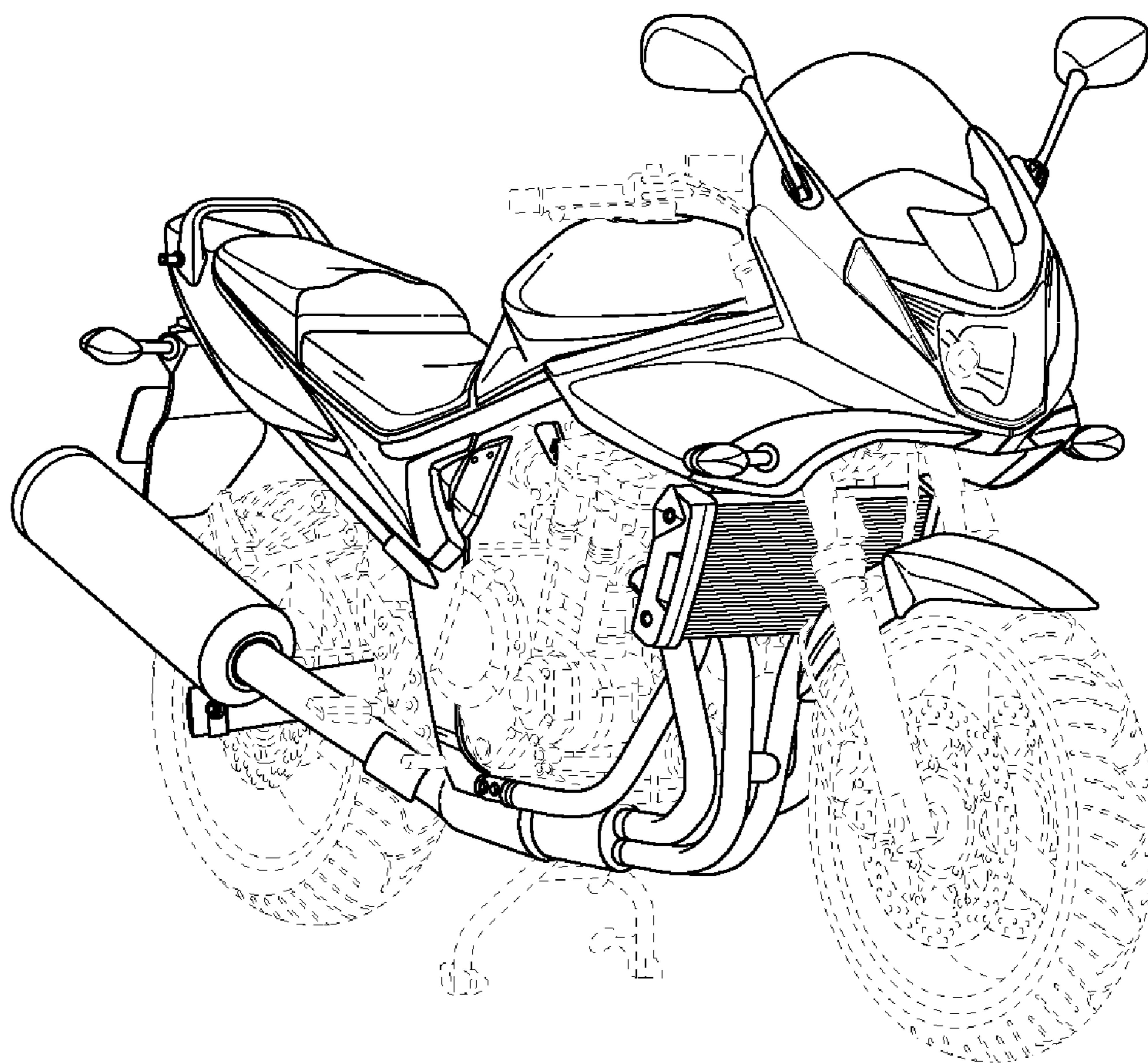


Fig. 2

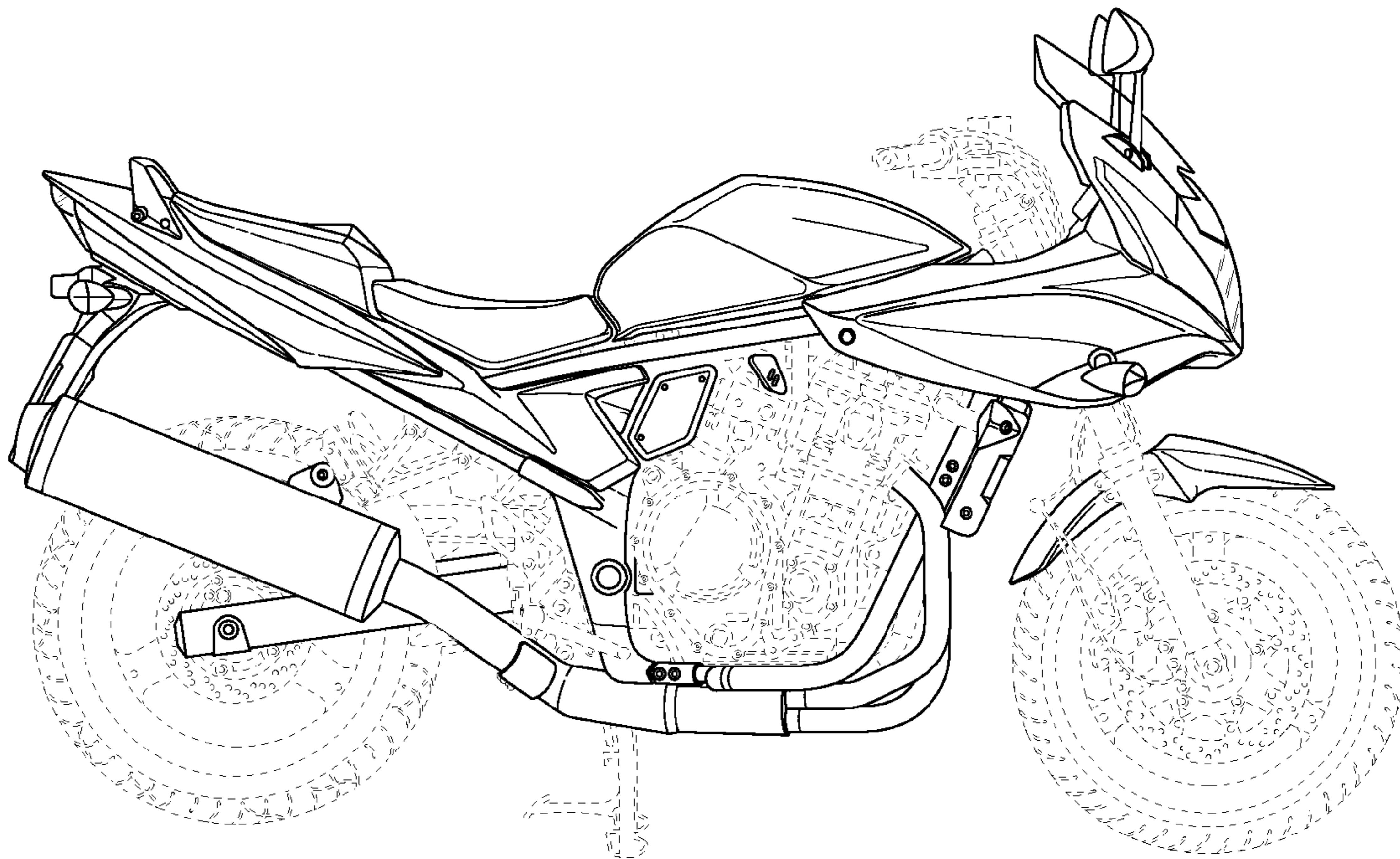


Fig. 3

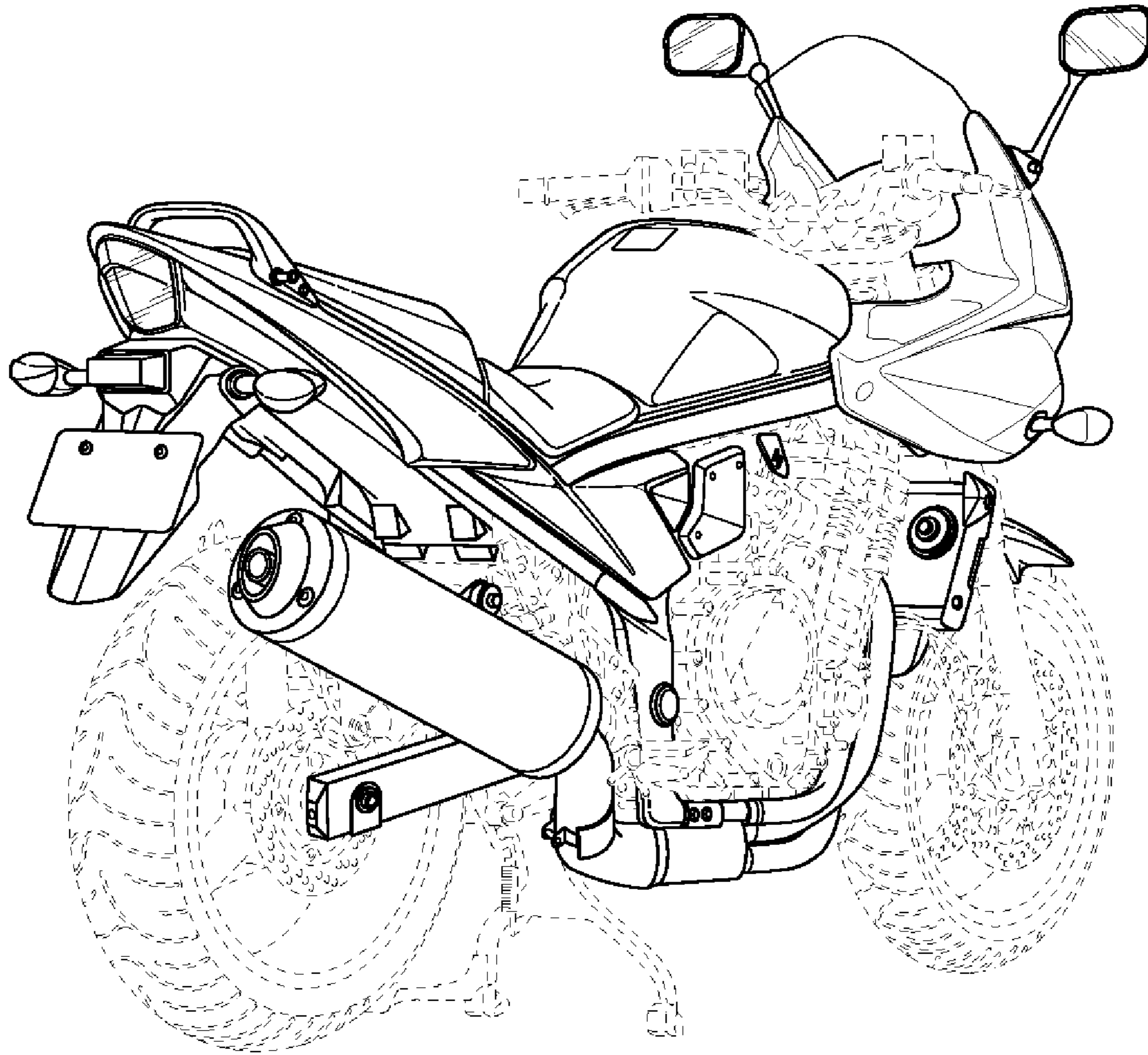


Fig. 4

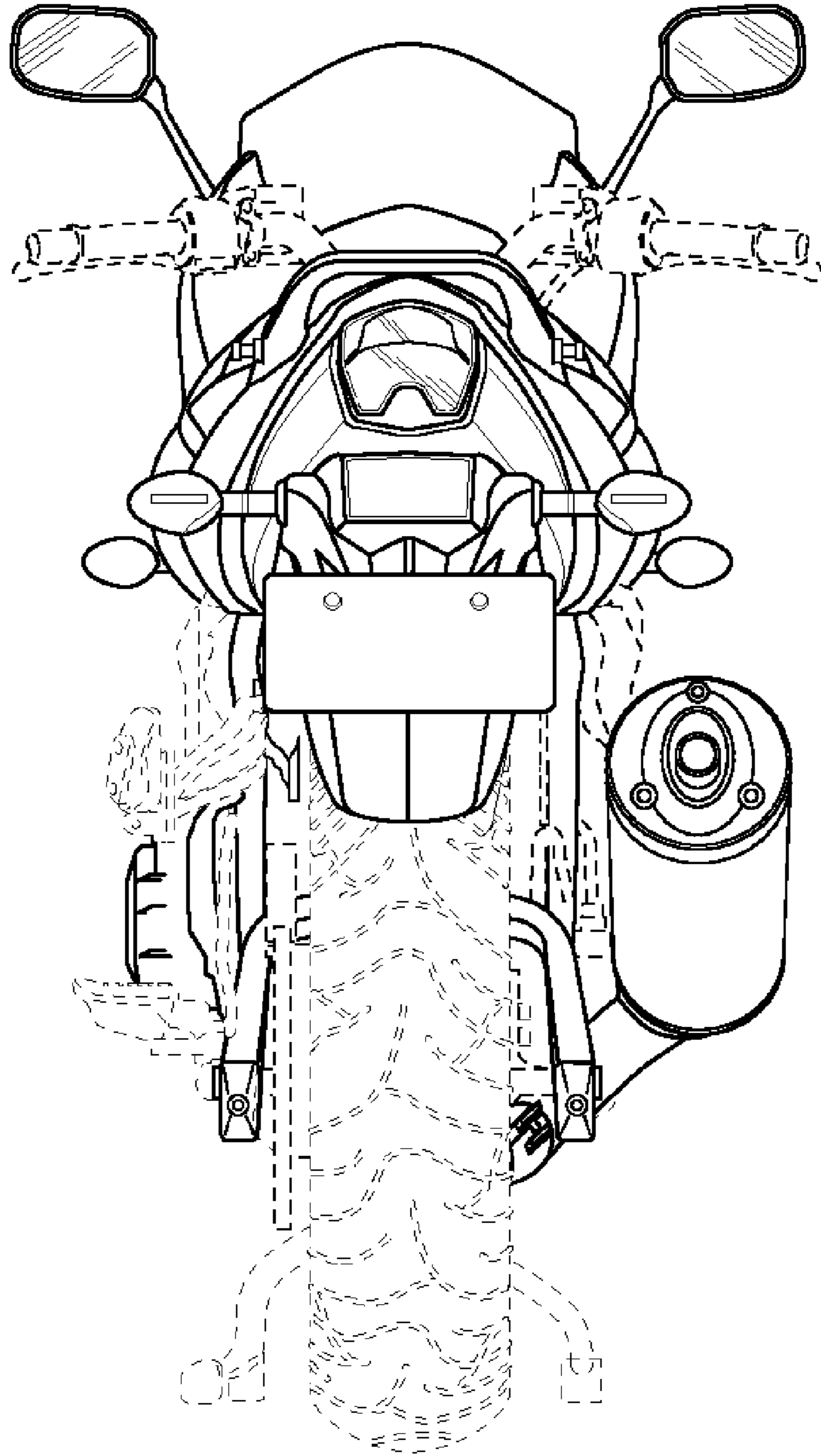


Fig. 5

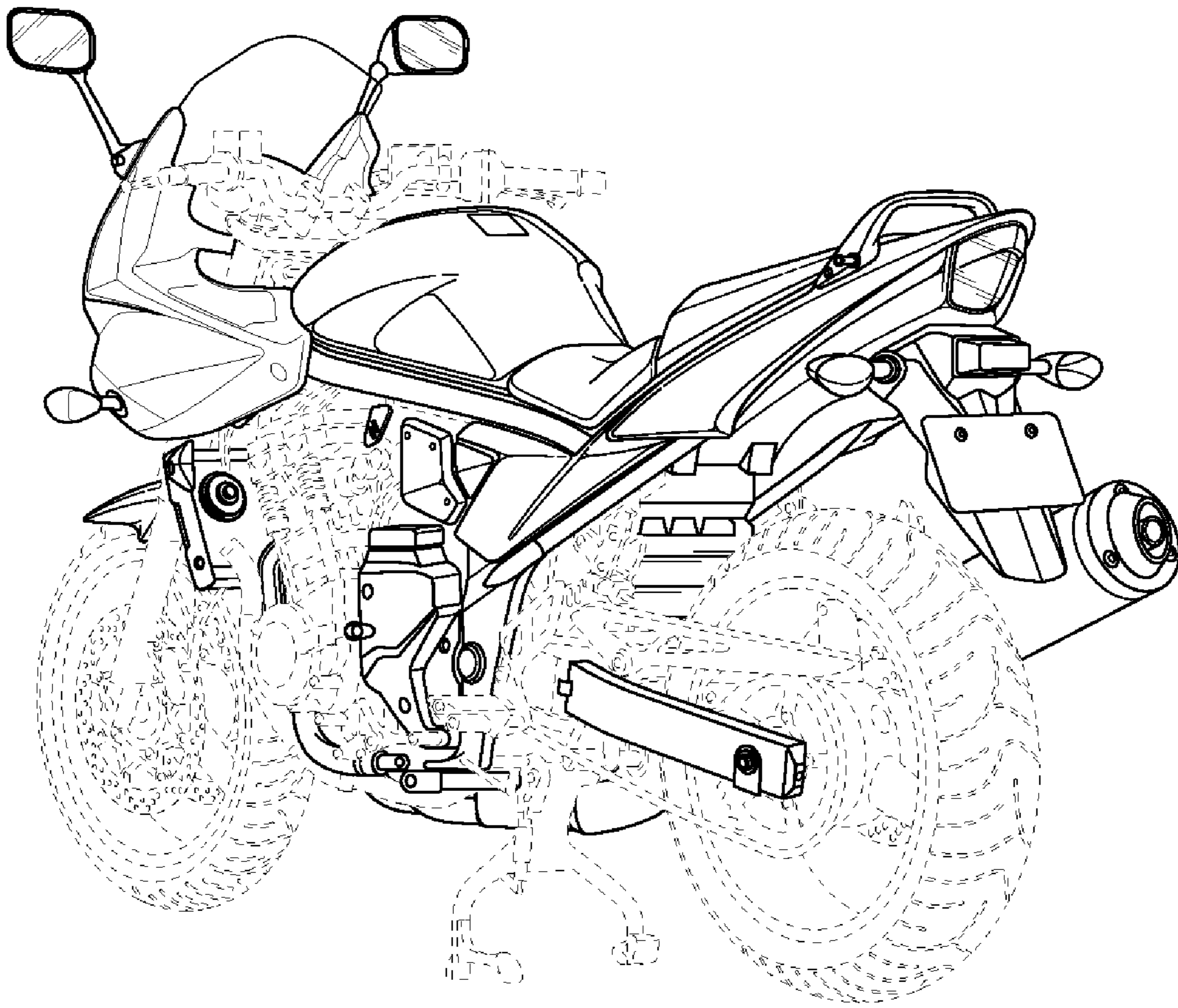


Fig. 6

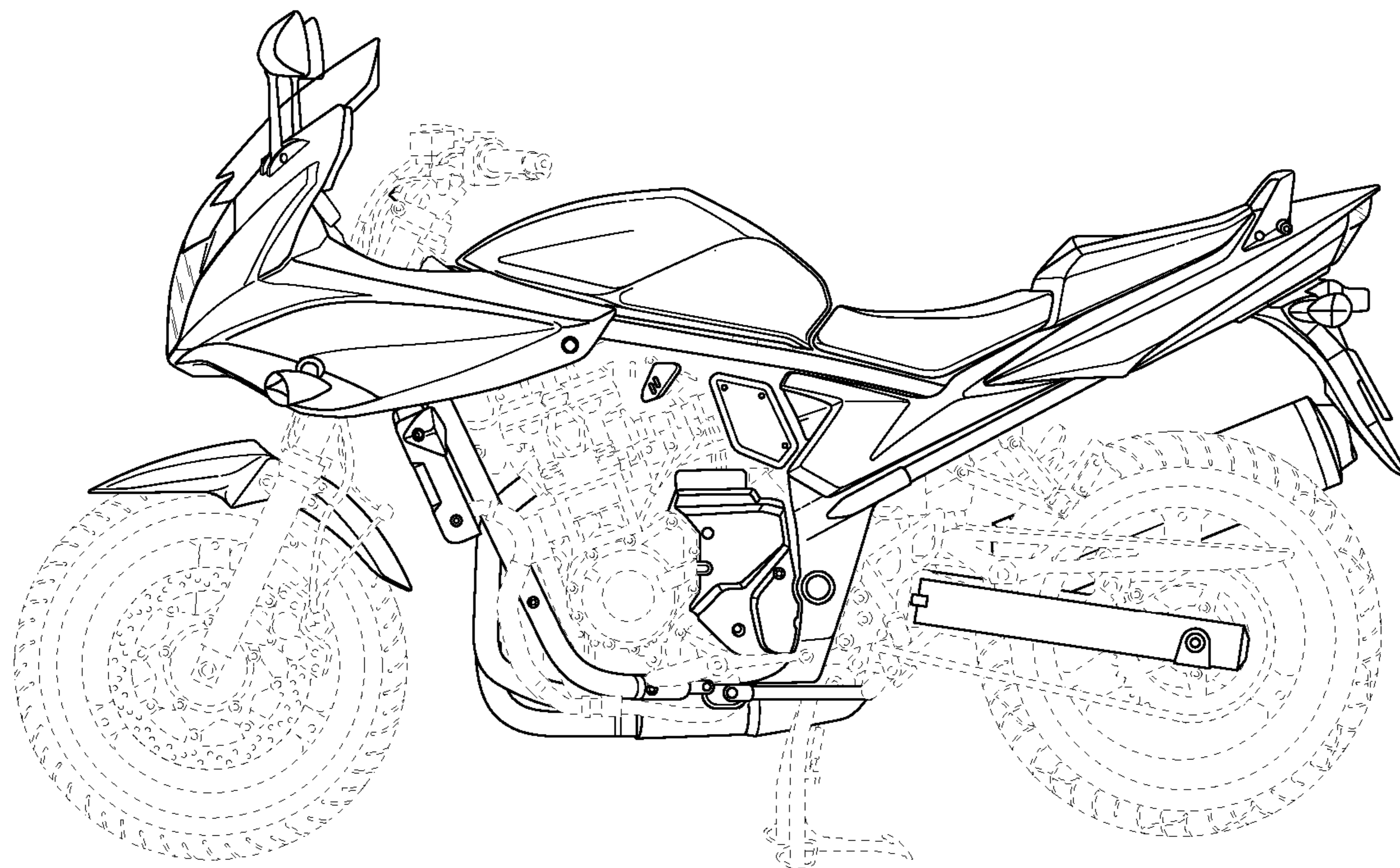


Fig. 7

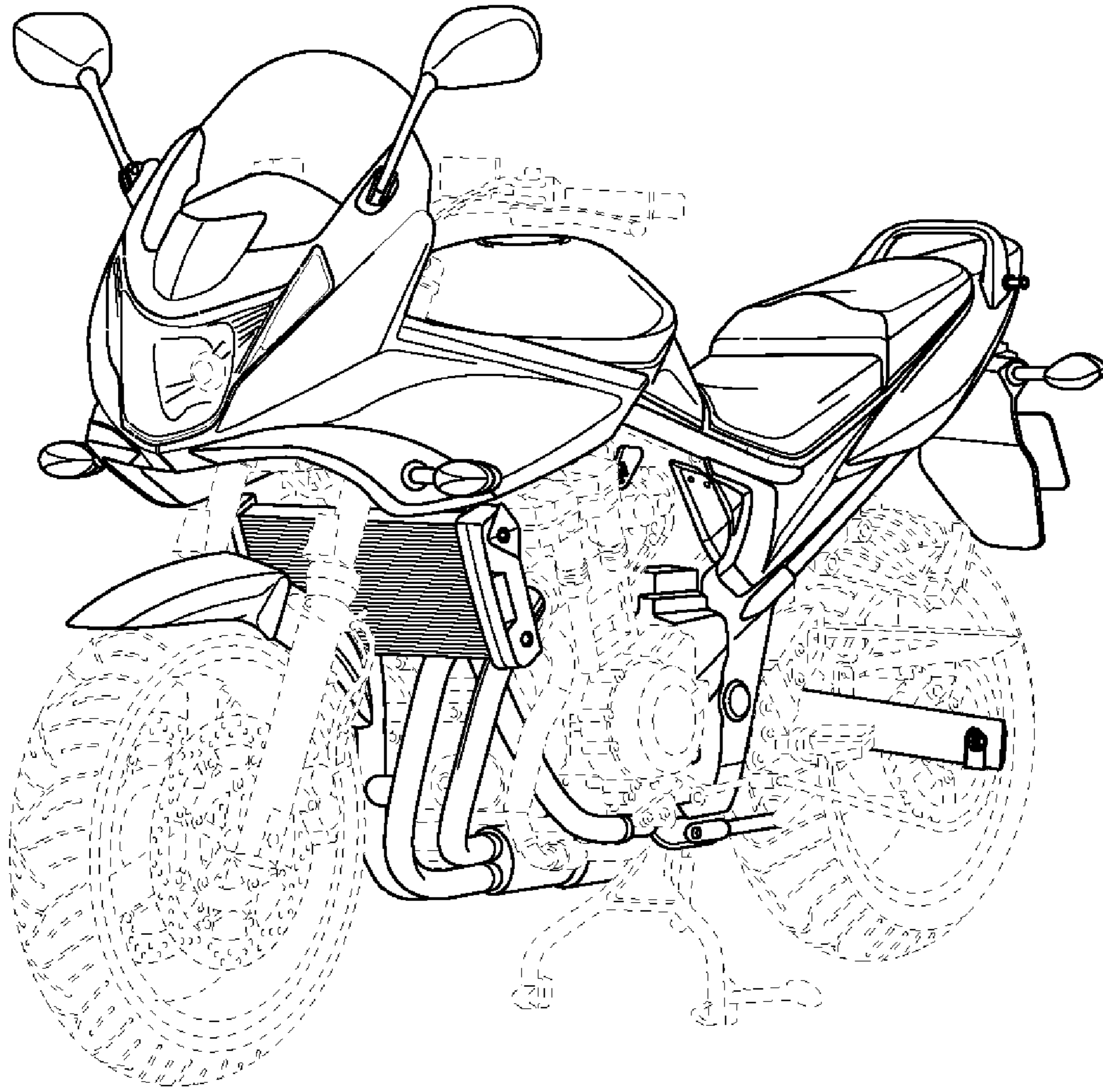


Fig. 8

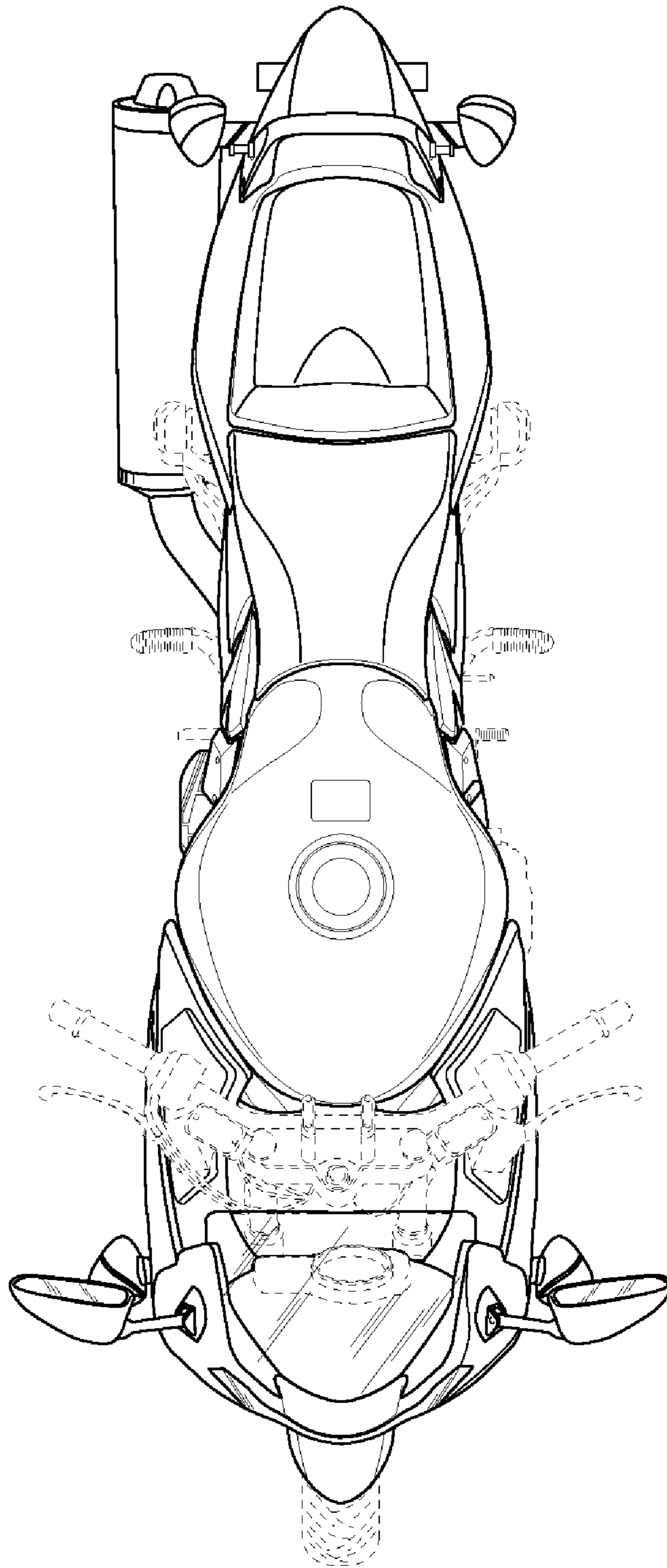


Fig. 9

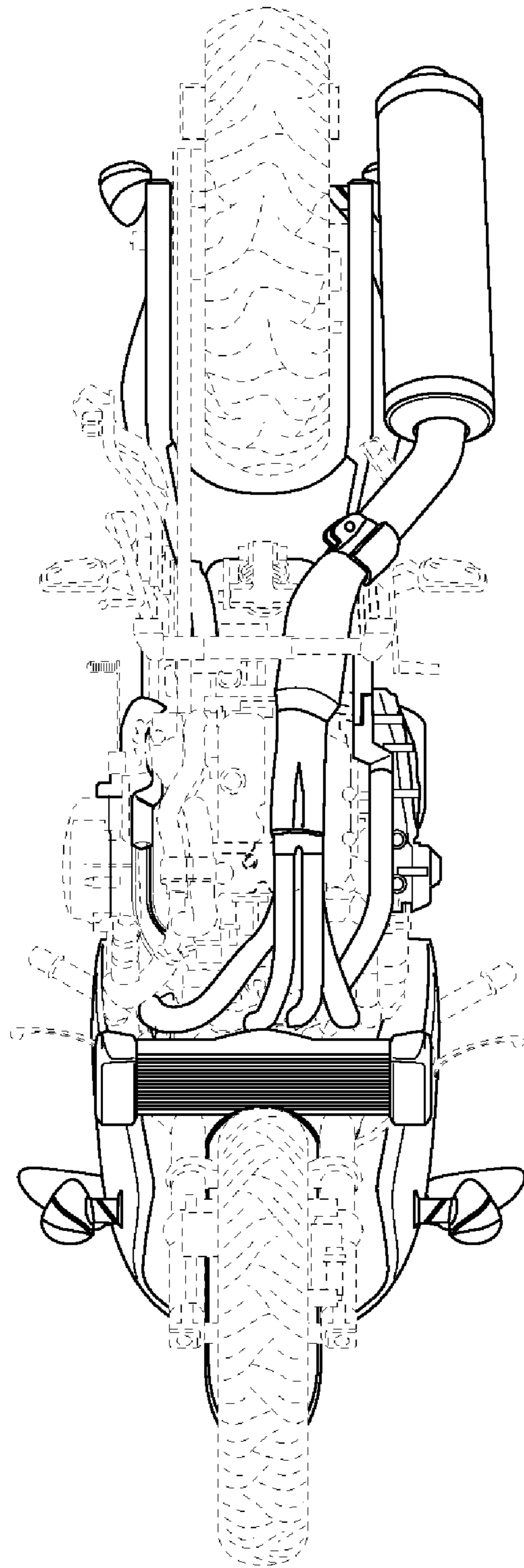


Fig. 10