



US00D599250S

(12) **United States Design Patent**  
**Hirano**

(10) **Patent No.:** **US D599,250 S**

(45) **Date of Patent:** **\*\* Sep. 1, 2009**

(54) **ALL TERRAIN VEHICLE**

(75) Inventor: **Koji Hirano**, Hamamatsu (JP)

(73) Assignee: **Suzuki Motor Corporation**,  
Hamamatsu-shi, Shizuoka Prefecture  
(JP)

(\*\*) Term: **14 Years**

(21) Appl. No.: **29/279,452**

(22) Filed: **May 1, 2007**

(30) **Foreign Application Priority Data**

Nov. 9, 2006 (JP) ..... 2006-030645

(51) **LOC (9) Cl.** ..... **12-11**

(52) **U.S. Cl.** ..... **D12/107**

(58) **Field of Classification Search** ..... D12/3,  
D12/86, 87, 107, 110; 180/223, 225, 233,  
180/229, 311, 312, 315

See application file for complete search history.

(56) **References Cited**

**U.S. PATENT DOCUMENTS**

D428,363 S \* 7/2000 Sugimoto et al. .... D12/107  
D429,663 S \* 8/2000 Tamashima et al. .... D12/107  
D496,308 S \* 9/2004 Wu ..... D12/107  
D516,467 S \* 3/2006 Wu ..... D12/107  
D529,414 S \* 10/2006 Wu et al. .... D12/107

D539,705 S \* 4/2007 Ichikawa et al. .... D12/107

\* cited by examiner

*Primary Examiner*—Cathron C Brooks

*Assistant Examiner*—Linda Brooks

(74) *Attorney, Agent, or Firm*—Dana M. Gordon; Foley Hoag  
LLP

(57) **CLAIM**

The ornamental design for an all terrain vehicle, as shown and described.

**DESCRIPTION**

FIG. 1 is a front view of an all terrain vehicle showing the design;

FIG. 2 is a front right perspective view thereof;

FIG. 3 is a right side view thereof;

FIG. 4 is a rear right perspective view thereof;

FIG. 5 is a rear view thereof;

FIG. 6 is a rear left perspective view thereof;

FIG. 7 is a left side view thereof;

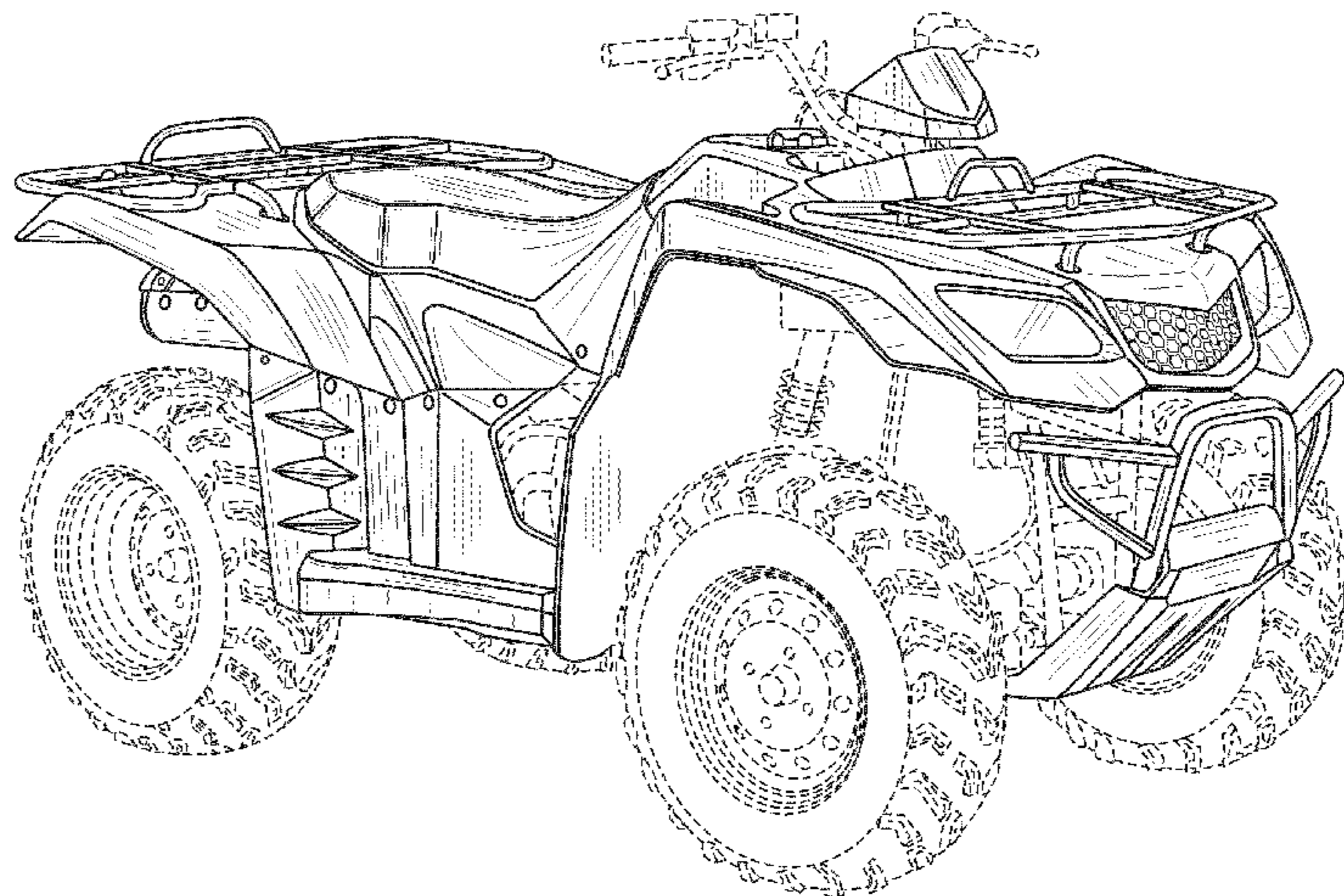
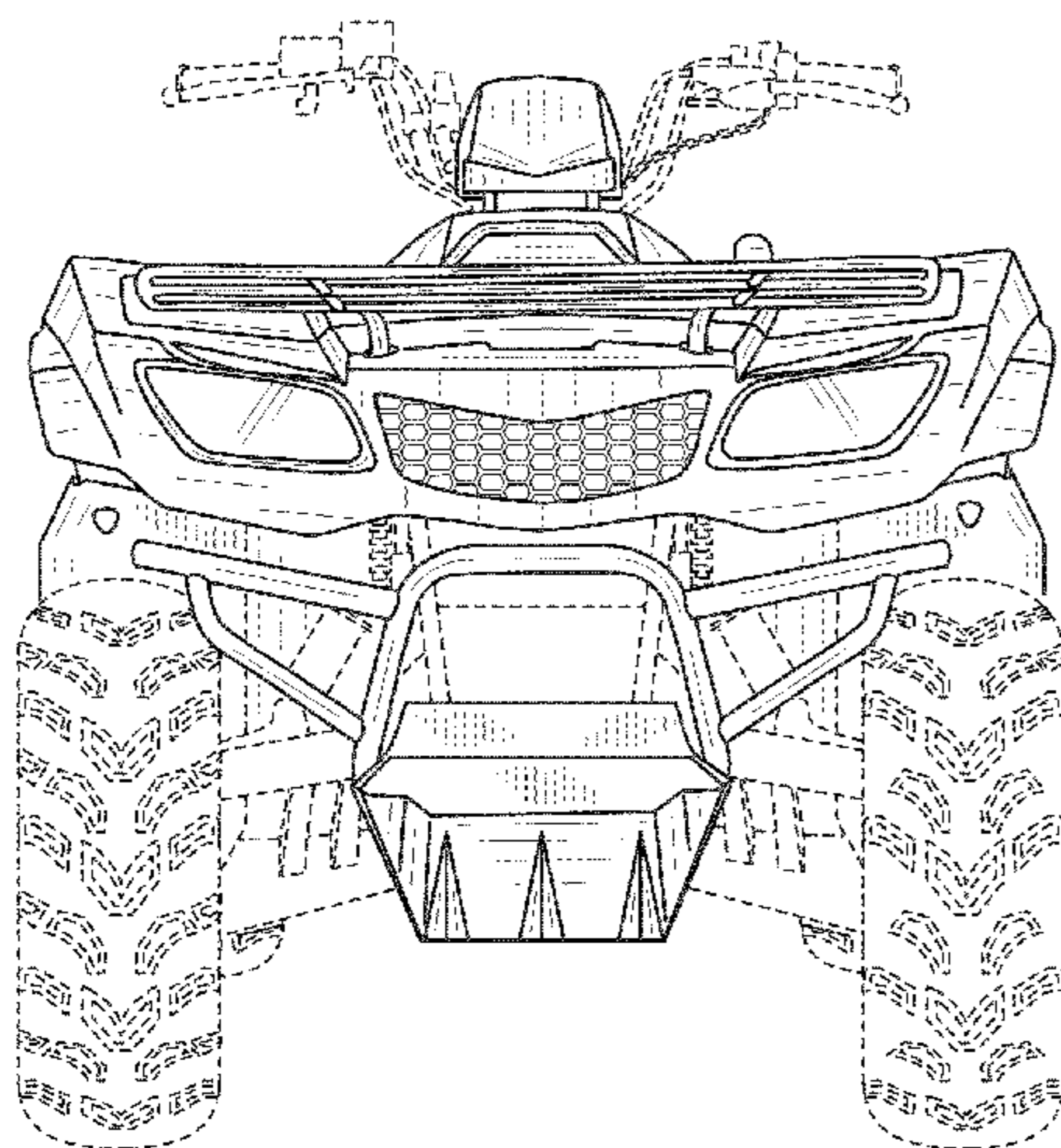
FIG. 8 is a front left perspective view thereof;

FIG. 9 is a top view thereof; and,

FIG. 10 is a bottom view thereof.

The portions of the all terrain vehicle shown in broken lines form no part of the claimed design.

**1 Claim, 10 Drawing Sheets**



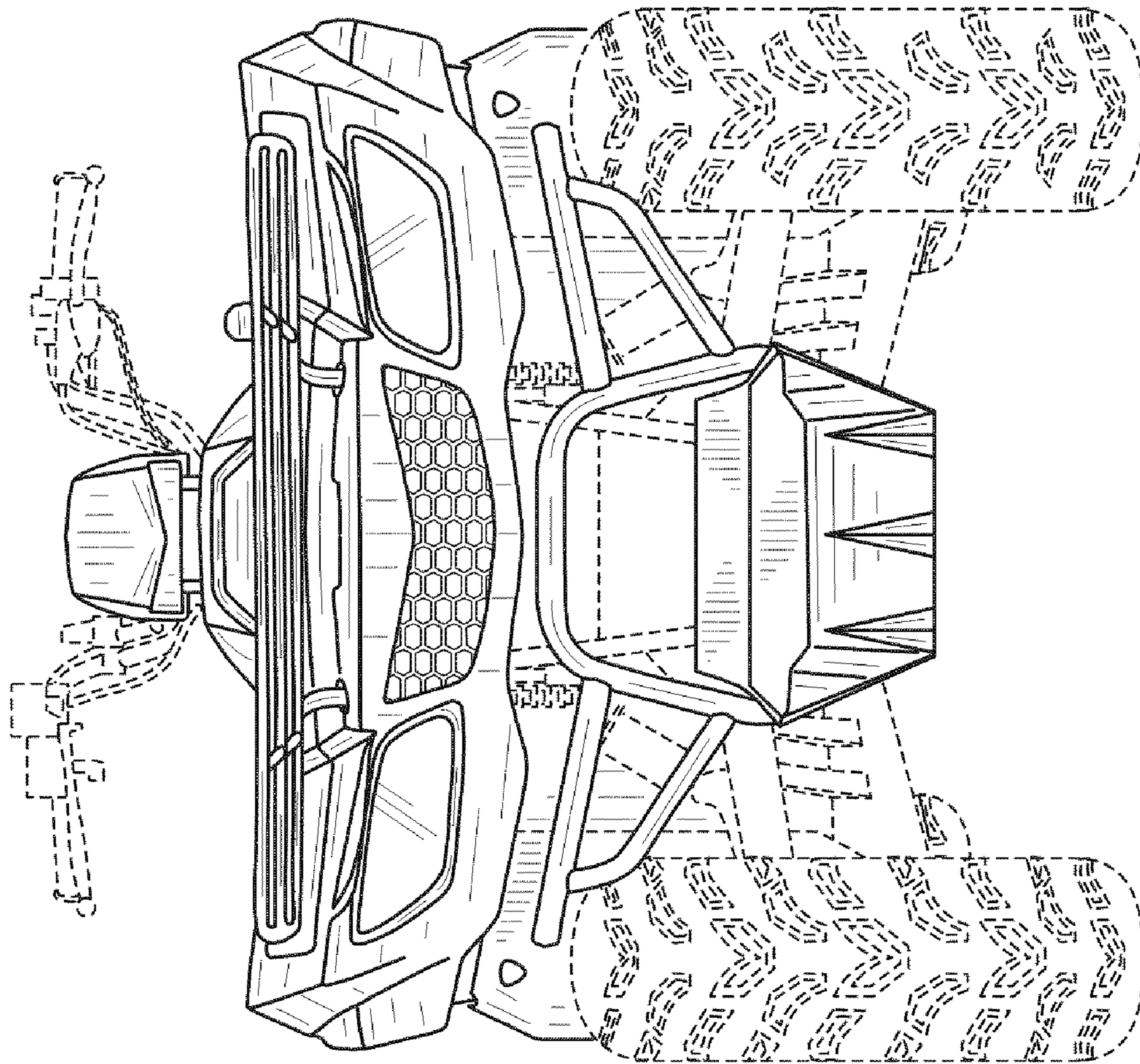


FIG. 1



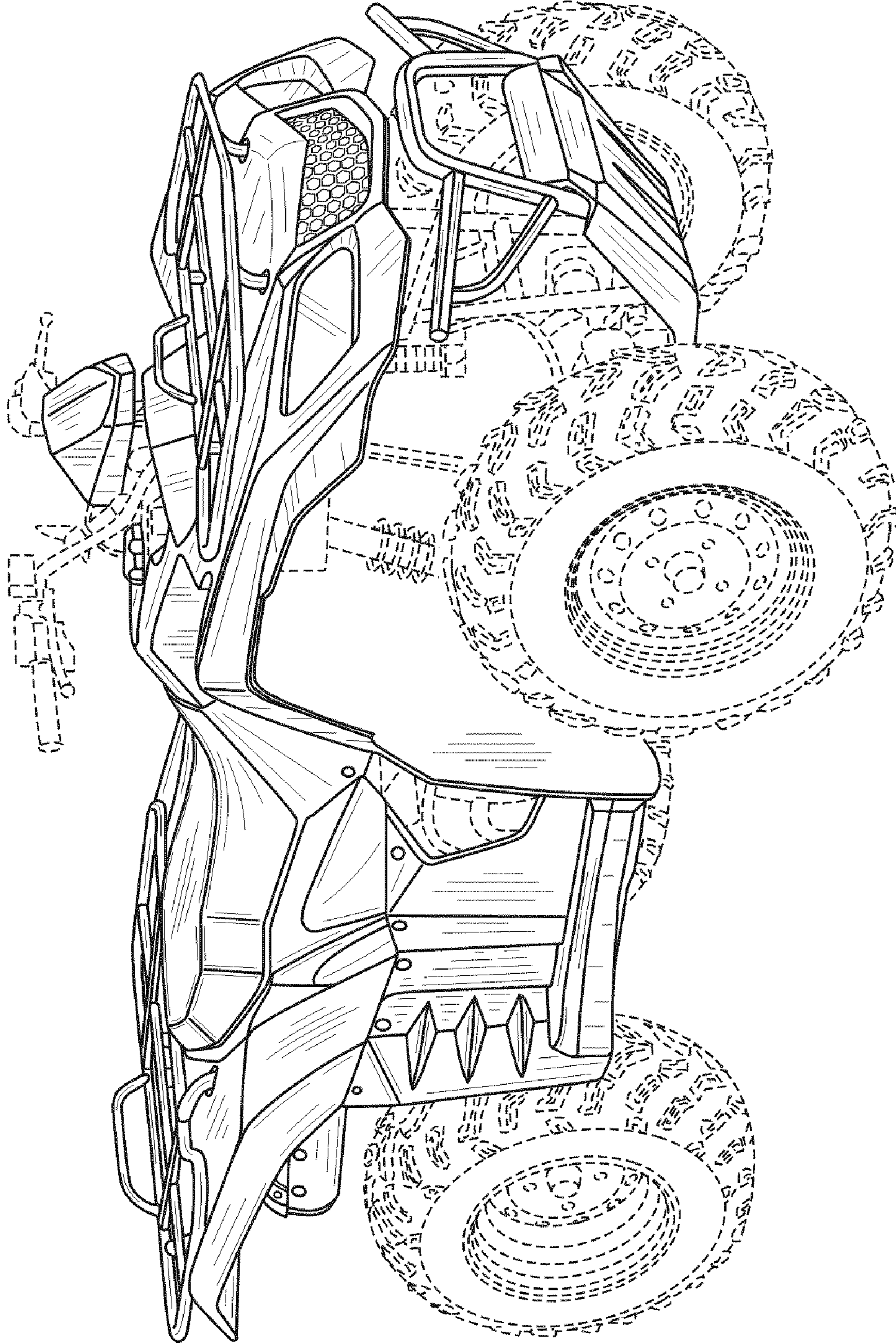


FIG.2



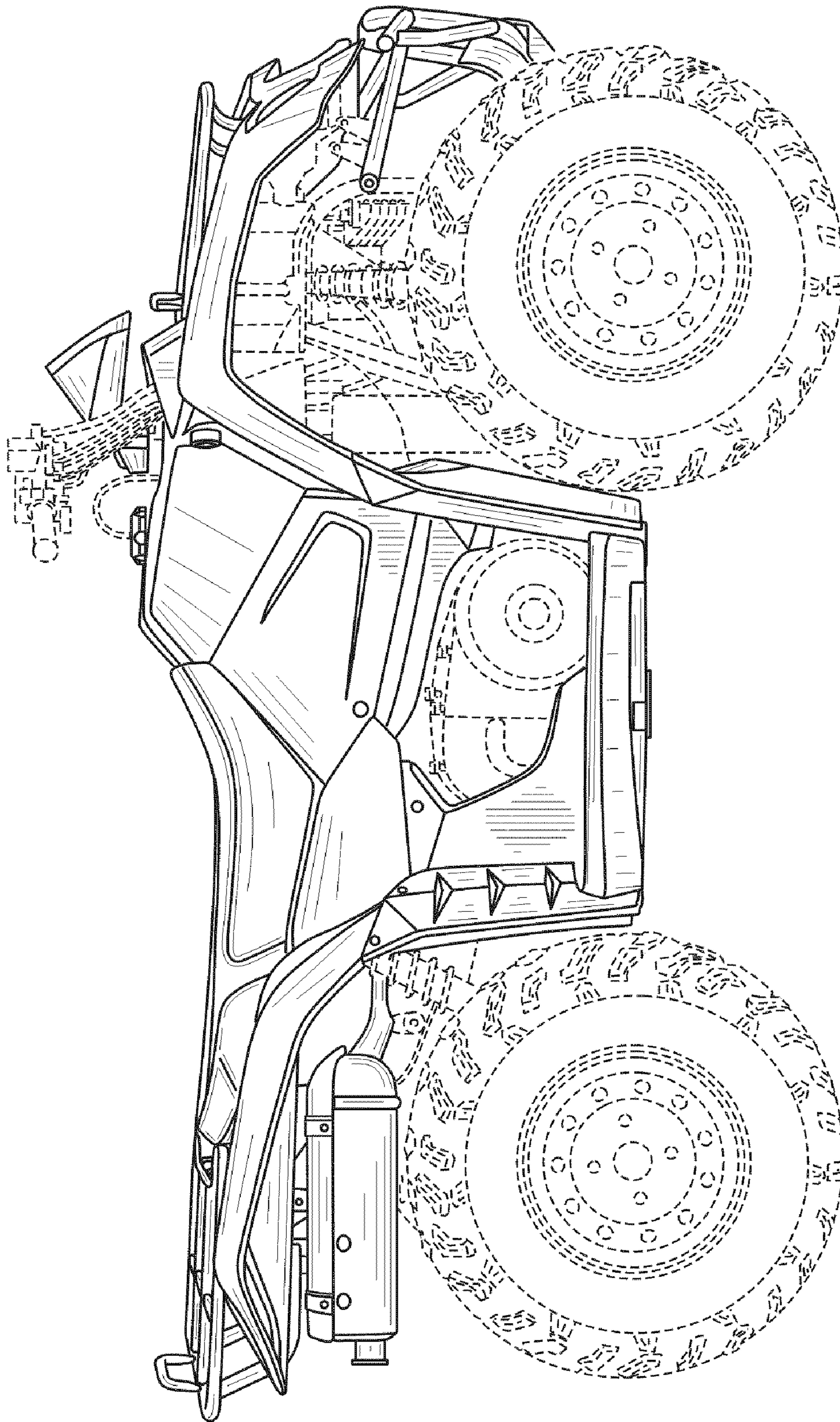


FIG. 3



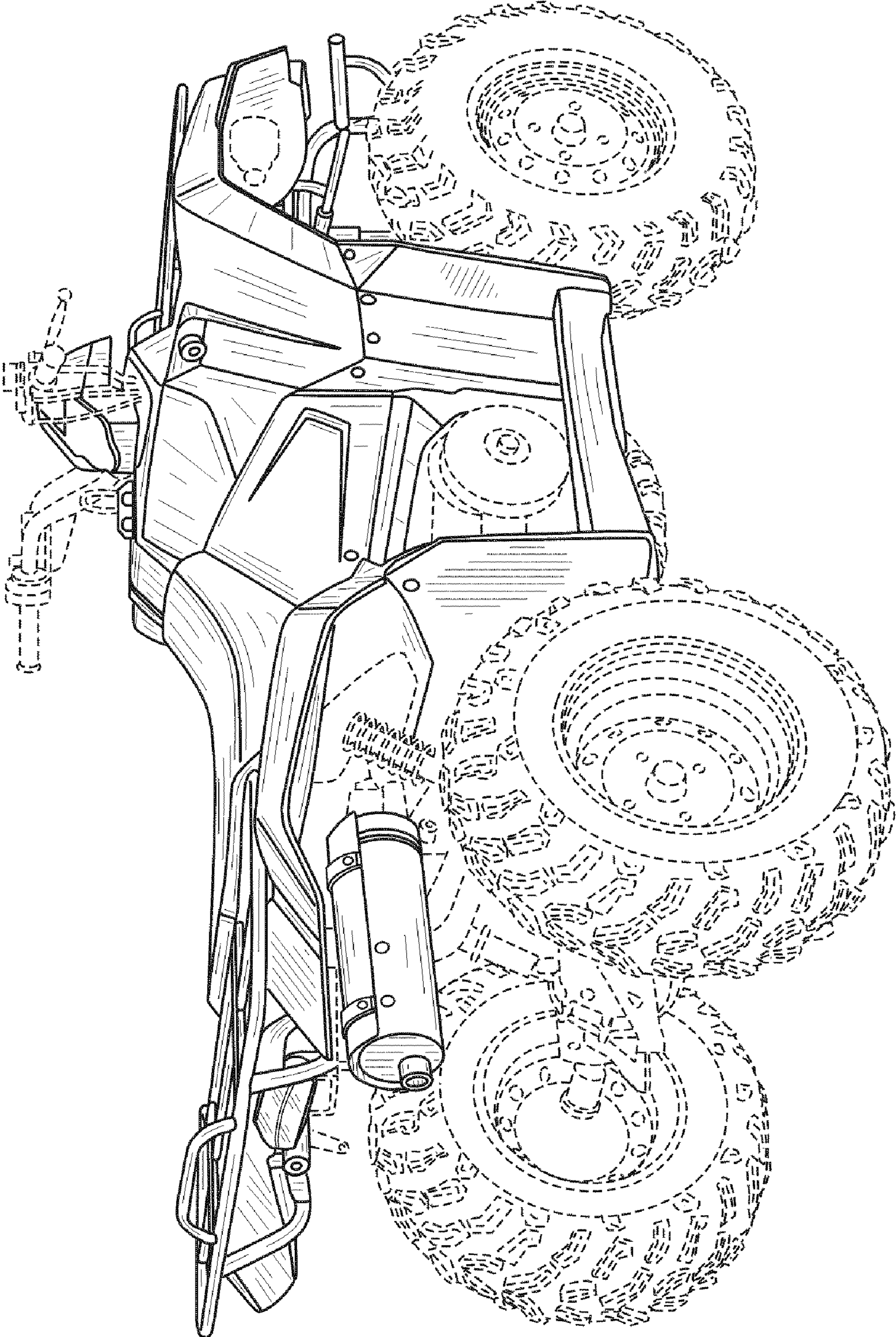


FIG. 4

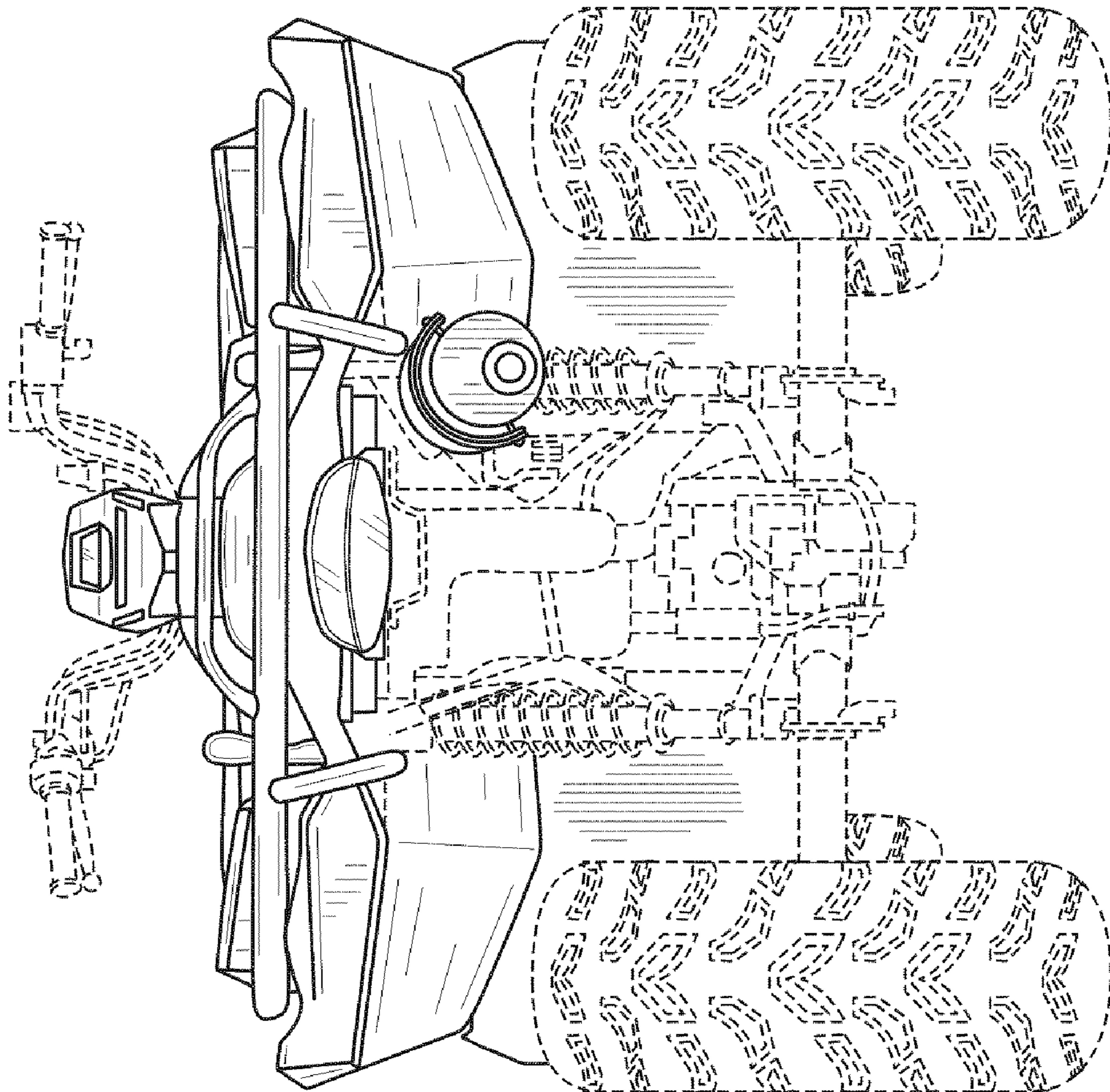


FIG. 5



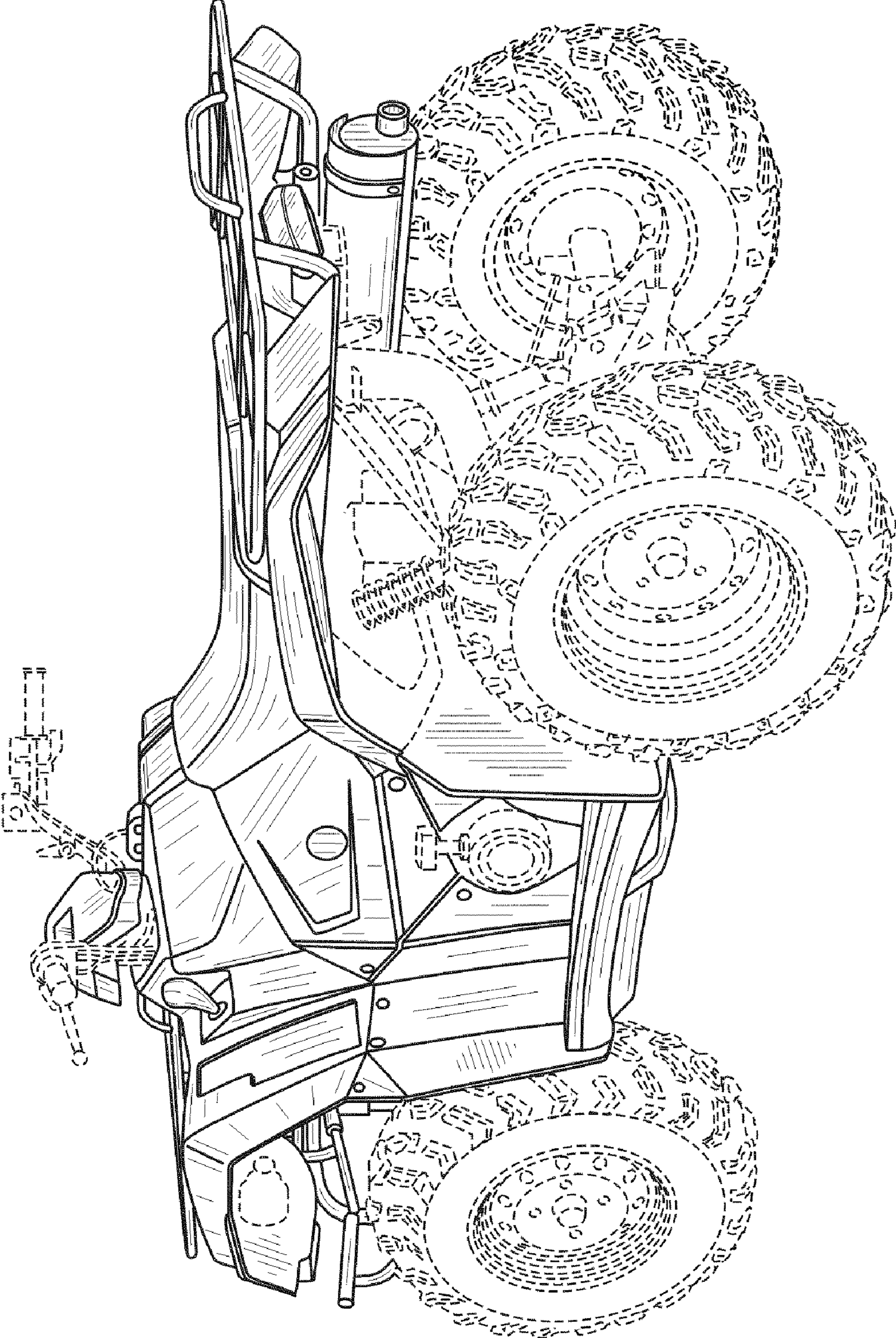


FIG. 6



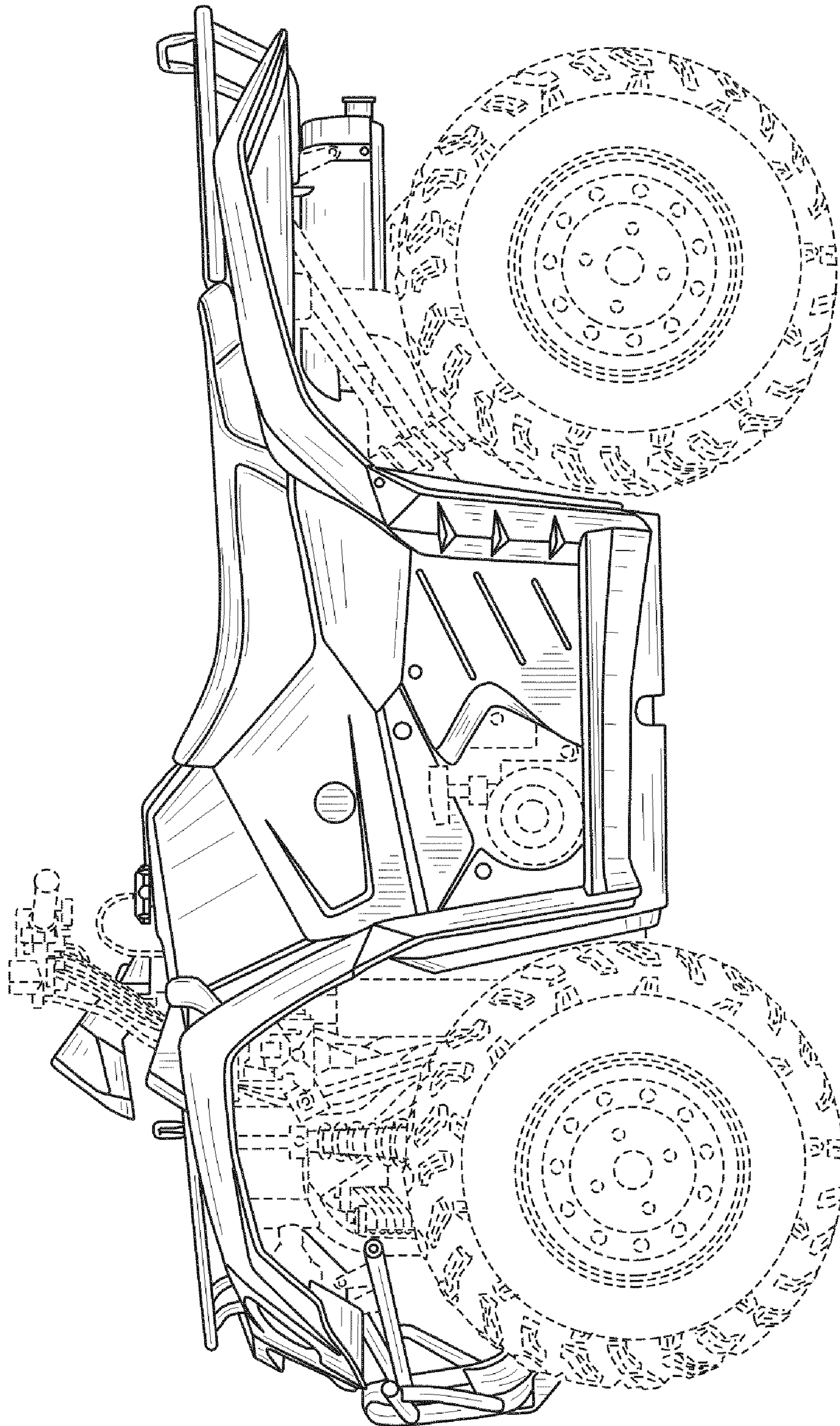


FIG. 7



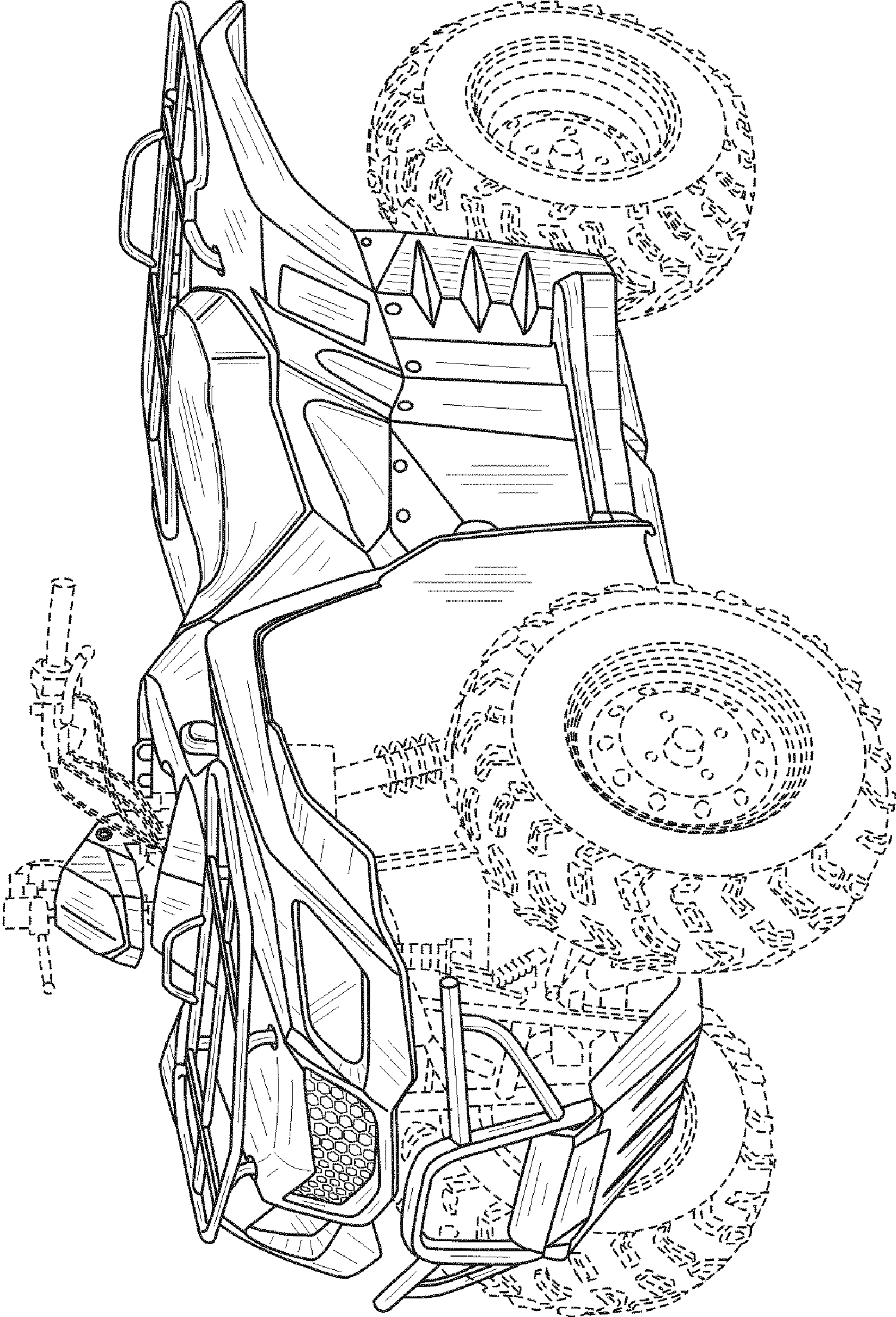


FIG. 8



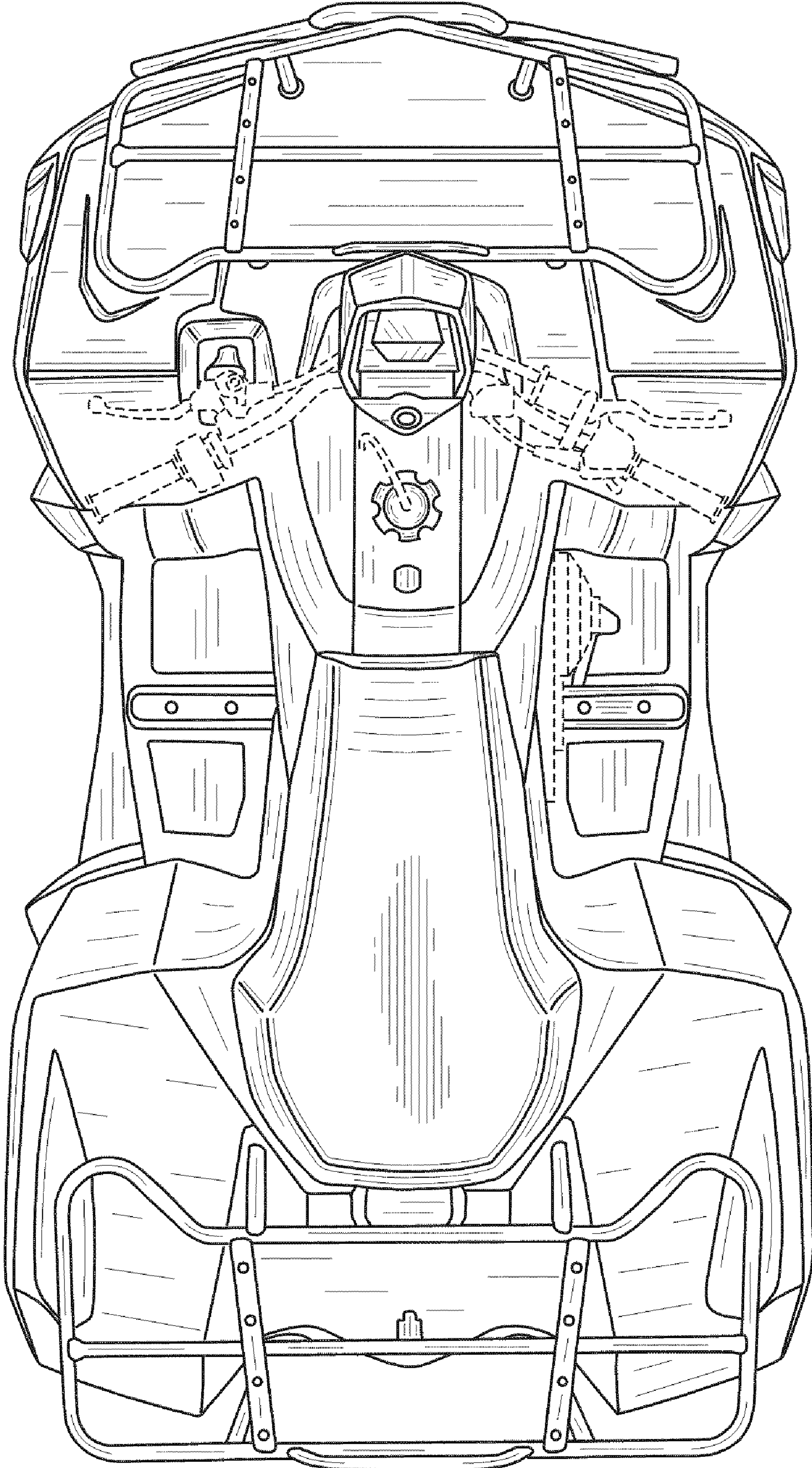


FIG. 9



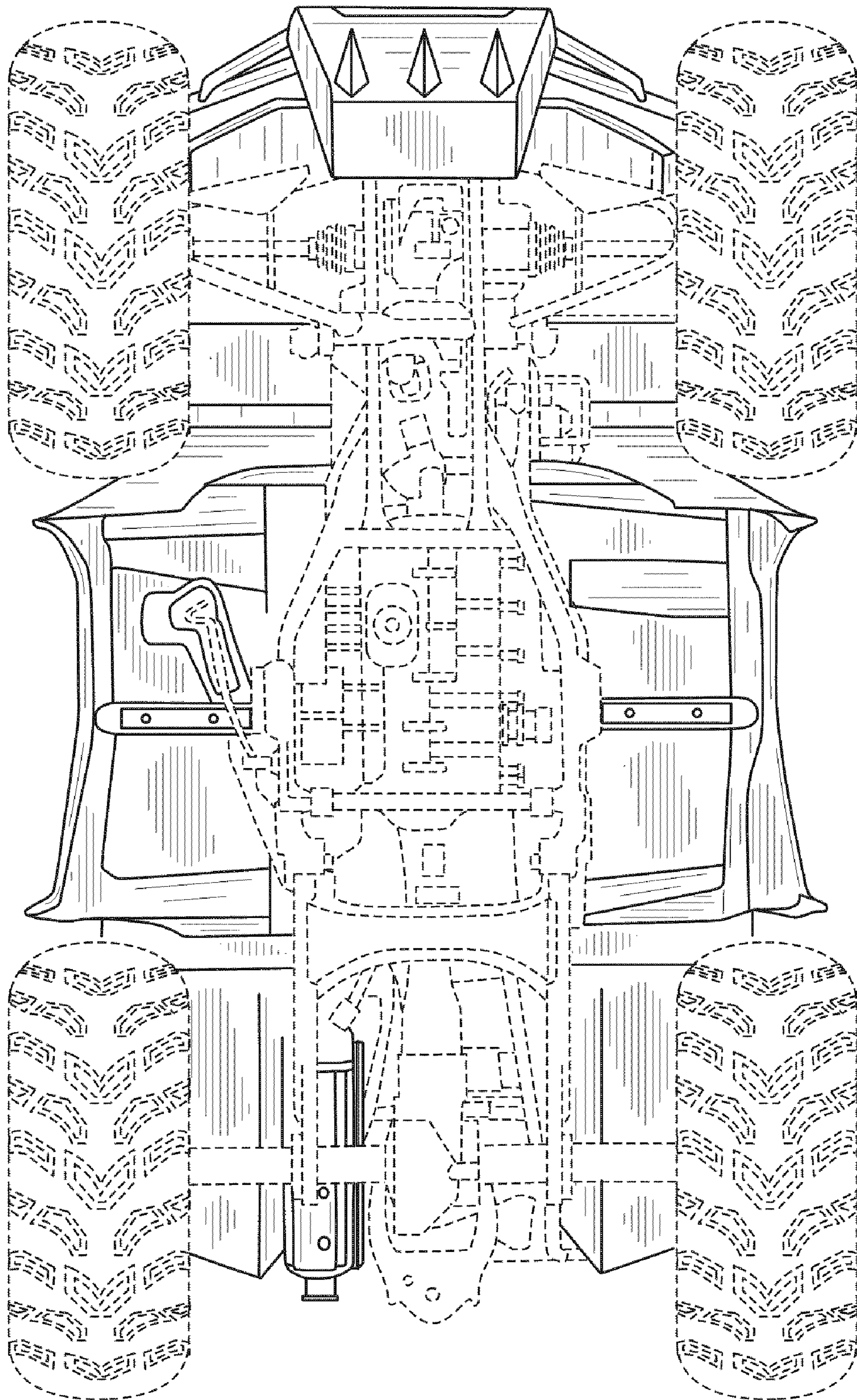


FIG. 10