



US00D599248S

(12) **United States Design Patent**
Yang

(10) **Patent No.:** **US D599,248 S**
(45) **Date of Patent:** **** *Sep. 1, 2009**

(54) **MINI VEHICLE**

(76) Inventor: **Tai-Her Yang**, 6F-5, No. 250, Sec. 4,
Chung Hsiao E. Rd., Taipei (TW) 10692

(*) Notice: This patent is subject to a terminal disclaimer.

(**) Term: **14 Years**

(21) Appl. No.: **29/309,545**

(22) Filed: **Sep. 2, 2008**

(51) **LOC (9) Cl.** **12-13**

(52) **U.S. Cl.** **D12/14**

(58) **Field of Classification Search** D12/87,
D12/86, 1, 433, 15, 16, 107, 82, 88, 89, 90,
D12/91, 92, 93, 13, 128, 131; D15/30; D21/803,
D21/555, 423; 180/233, 908; 280/DIG. 5,
280/183, 184, 185, 186, 28, 37.7

See application file for complete search history.

(56) **References Cited**

U.S. PATENT DOCUMENTS

D242,698 S * 12/1976 Viniegra D12/86
D324,246 S * 2/1992 Ching-Tien D21/433

D469,734 S * 2/2003 Tyrer D12/401

* cited by examiner

Primary Examiner—T. Chase Nelson

Assistant Examiner—Ania K Dworzecka

(74) *Attorney, Agent, or Firm*—Bacon & Thomas, PLLC

(57) **CLAIM**

The ornamental design for a mini vehicle, as shown and described.

DESCRIPTION

FIG. 1 is a perspective view of a mini vehicle showing my new design;

FIG. 2 is a front elevational view thereof;

FIG. 3 is a rear elevational view thereof;

FIG. 4 is a left side elevational view thereof;

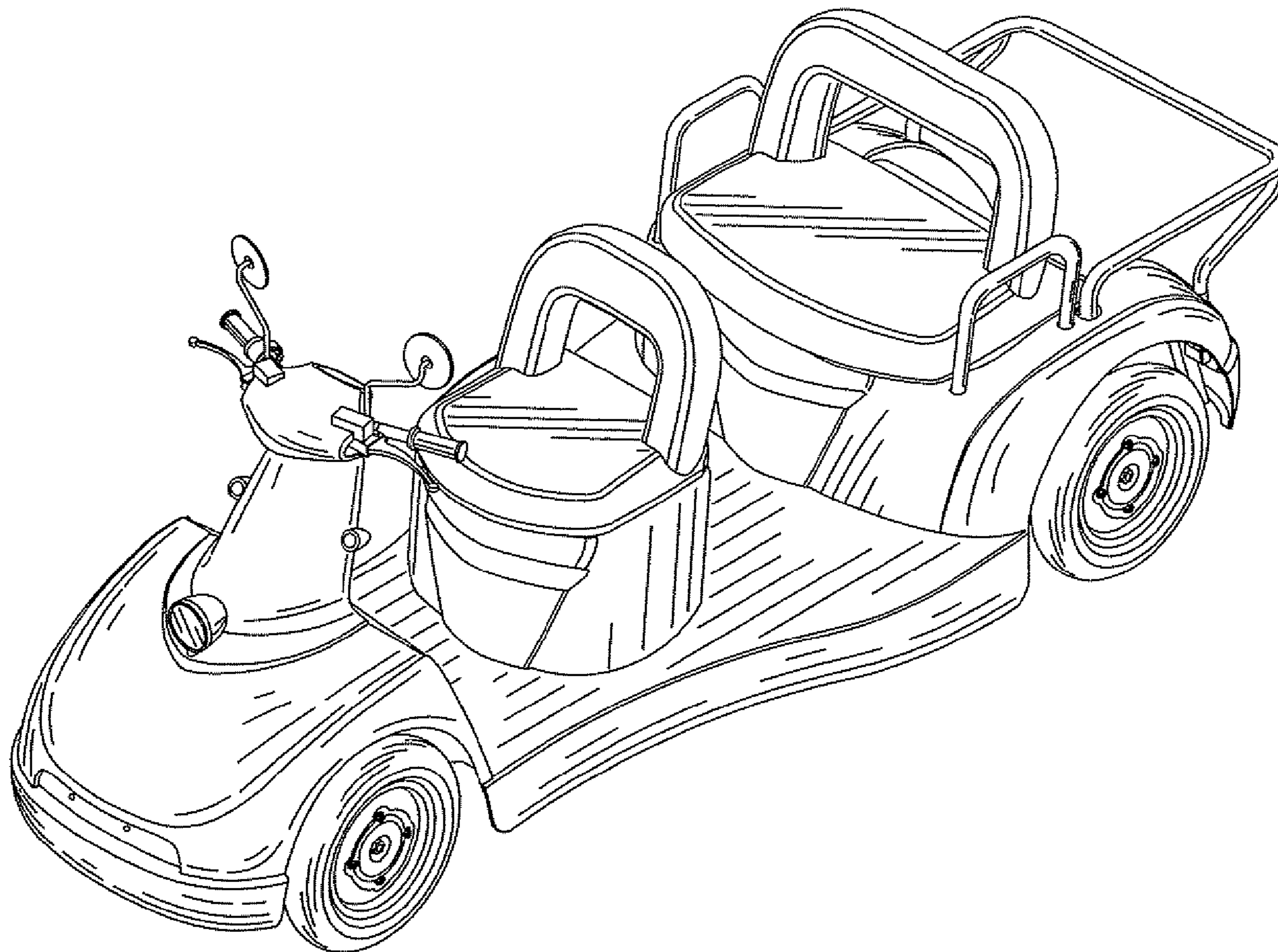
FIG. 5 is a right side elevational view thereof;

FIG. 6 is a top plan view thereof; and,

FIG. 7 is a bottom plan view thereof.

The portions of the mini vehicle shown in broken lines form no part of the claimed design.

1 Claim, 6 Drawing Sheets



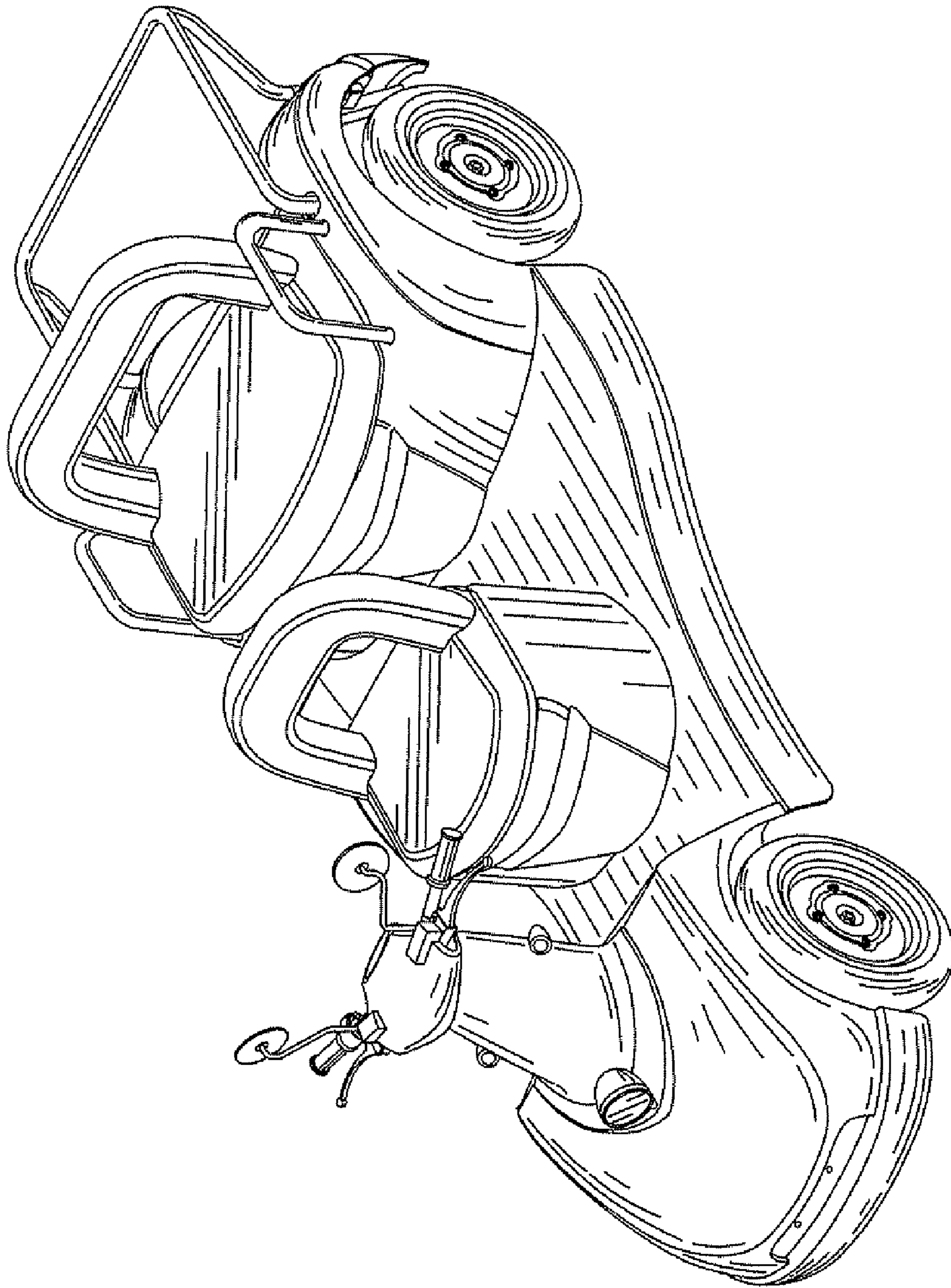


FIG. 1

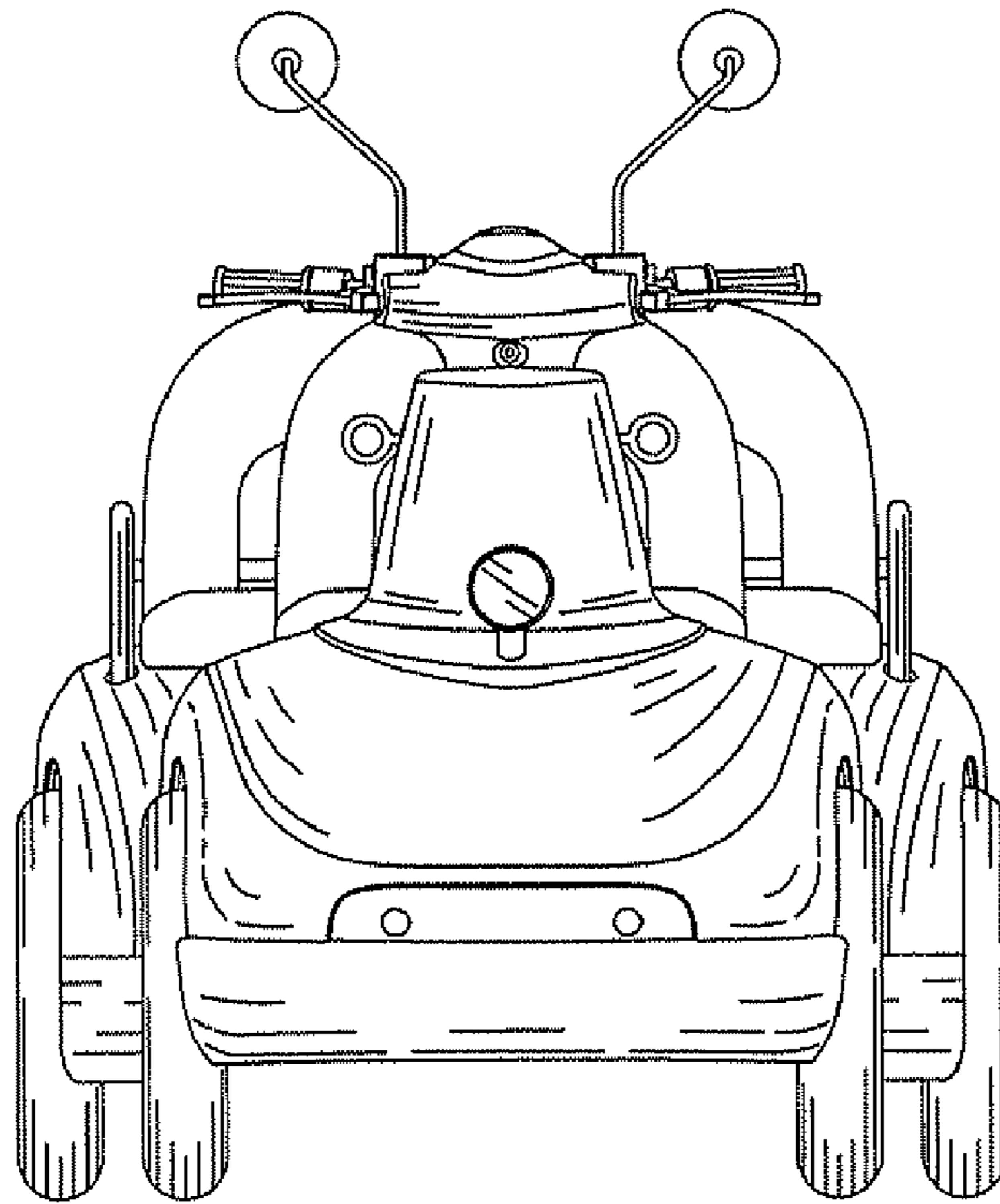


FIG. 2

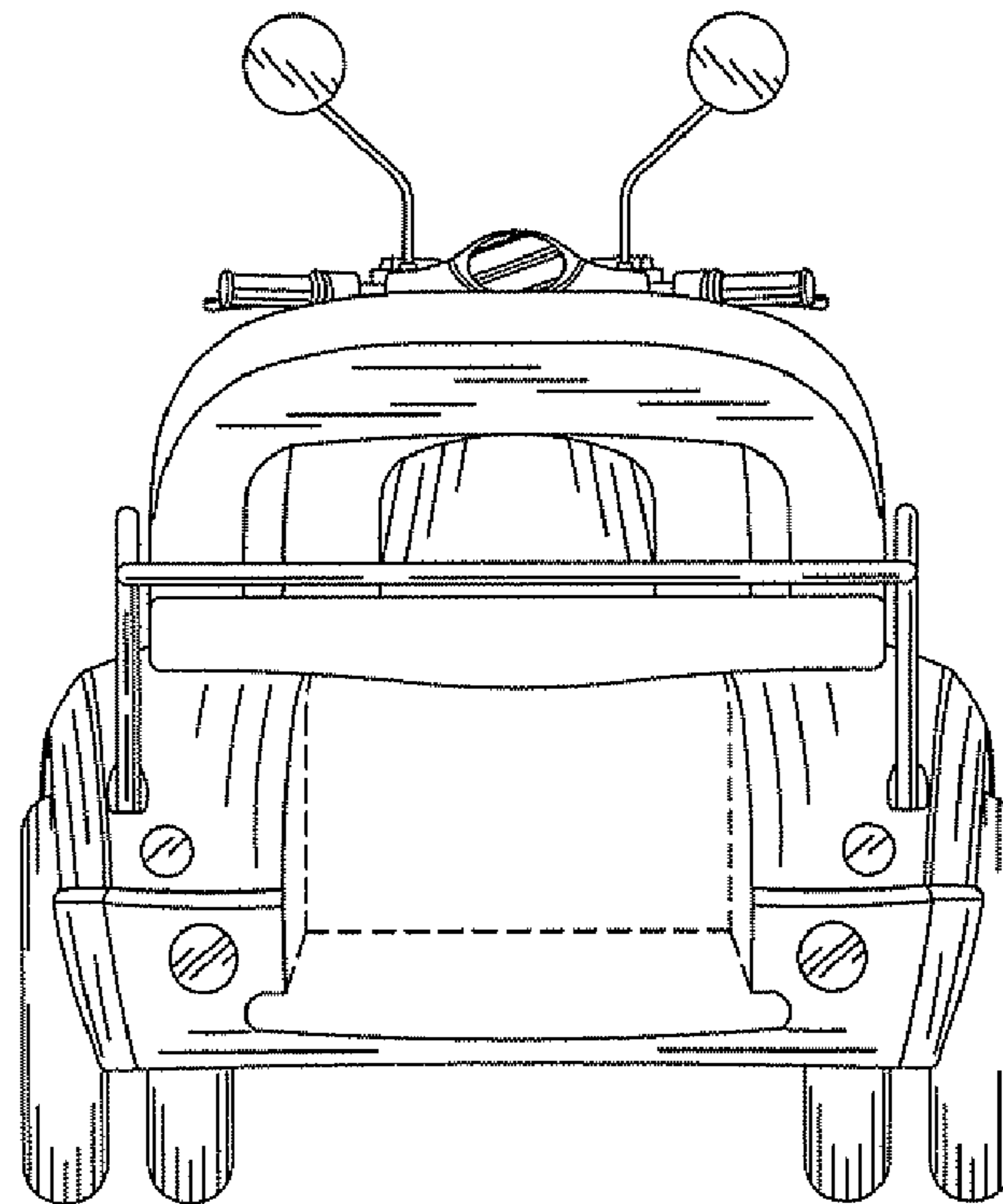


FIG. 3

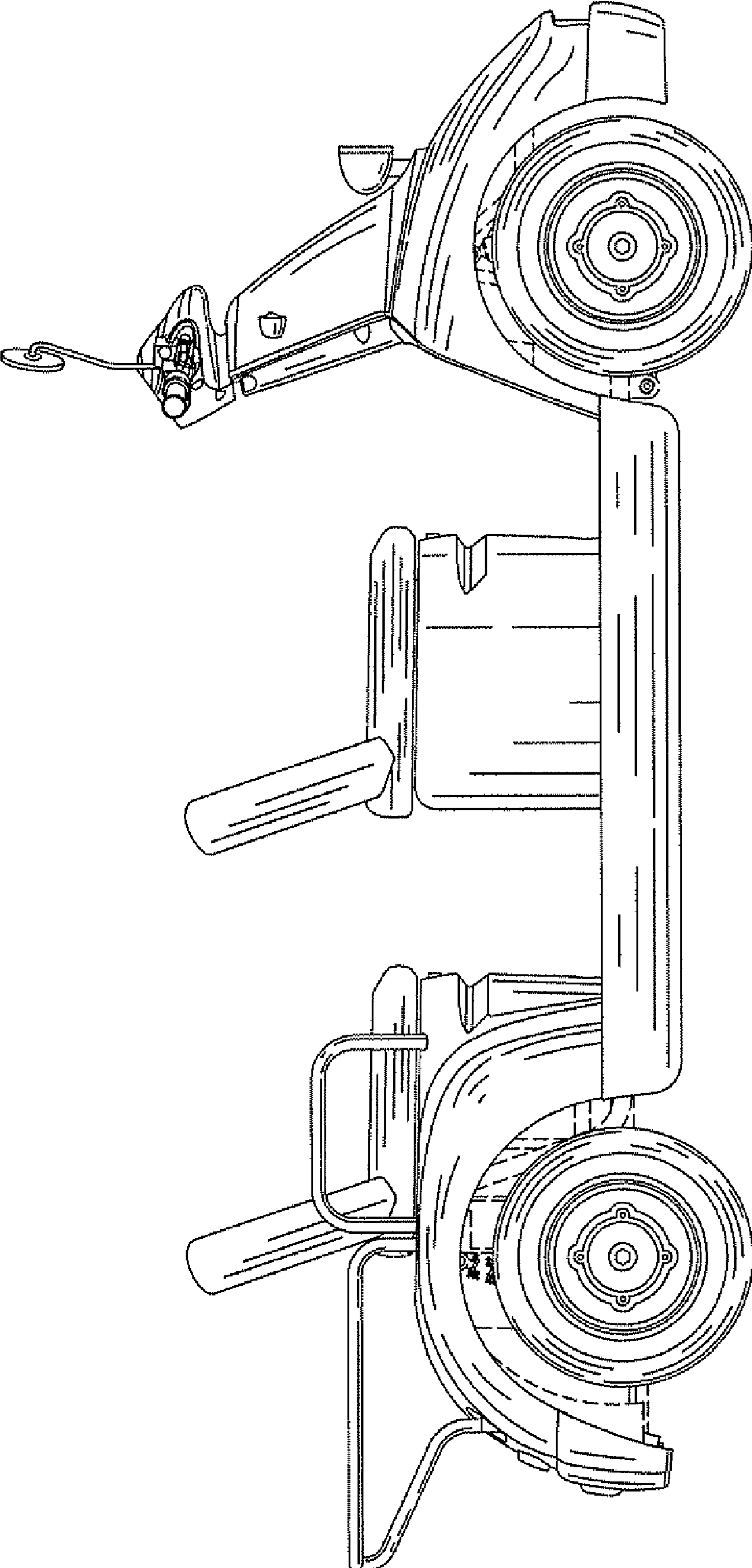


FIG. 4

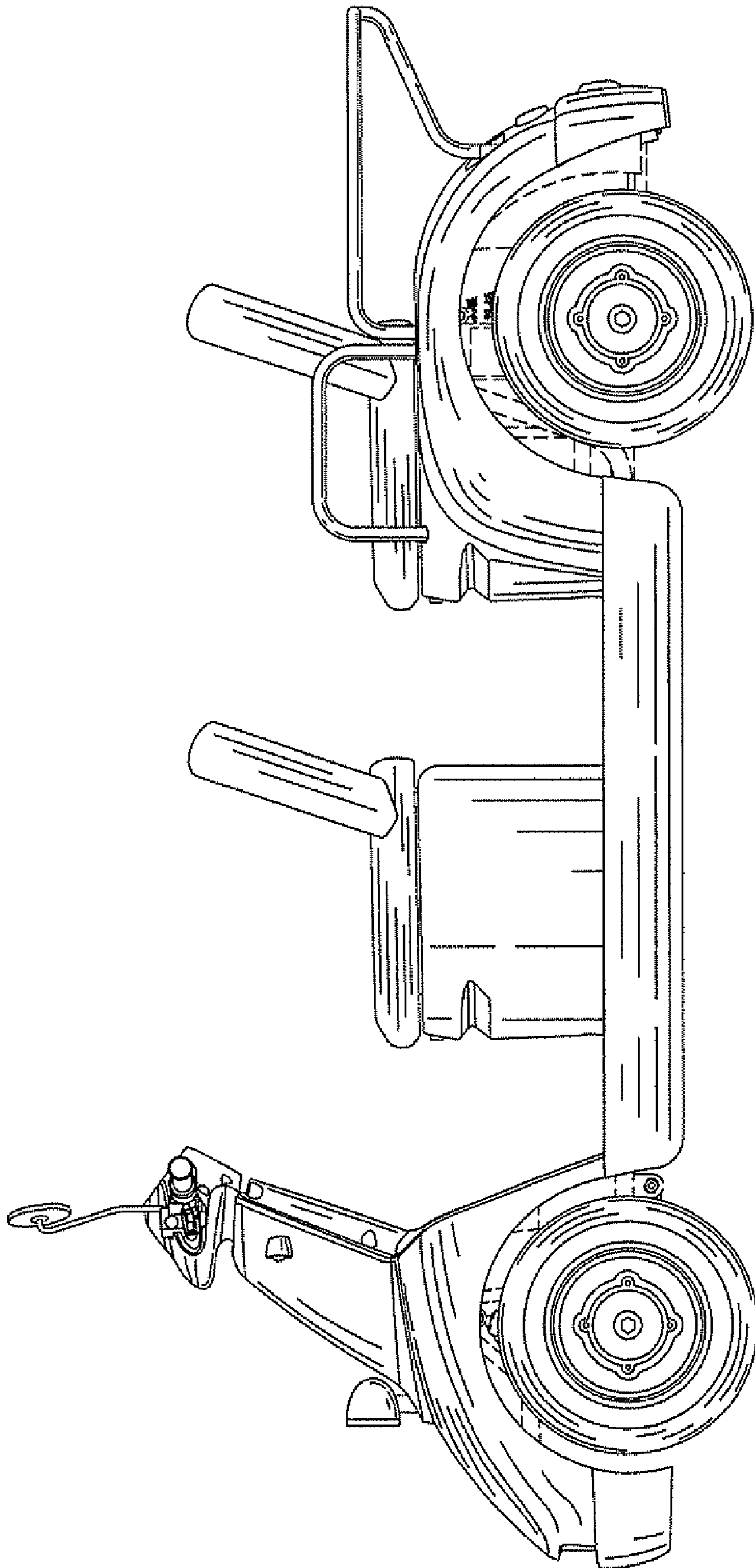


FIG. 5

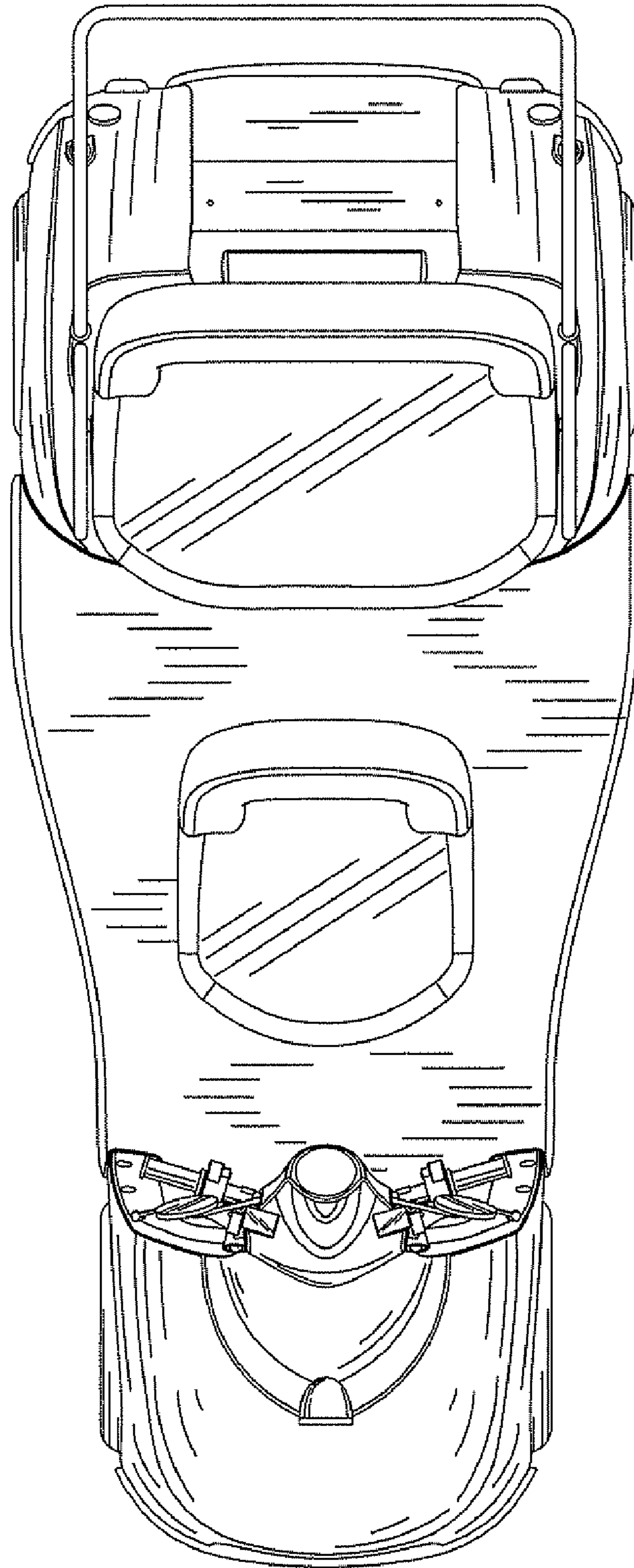


FIG. 6

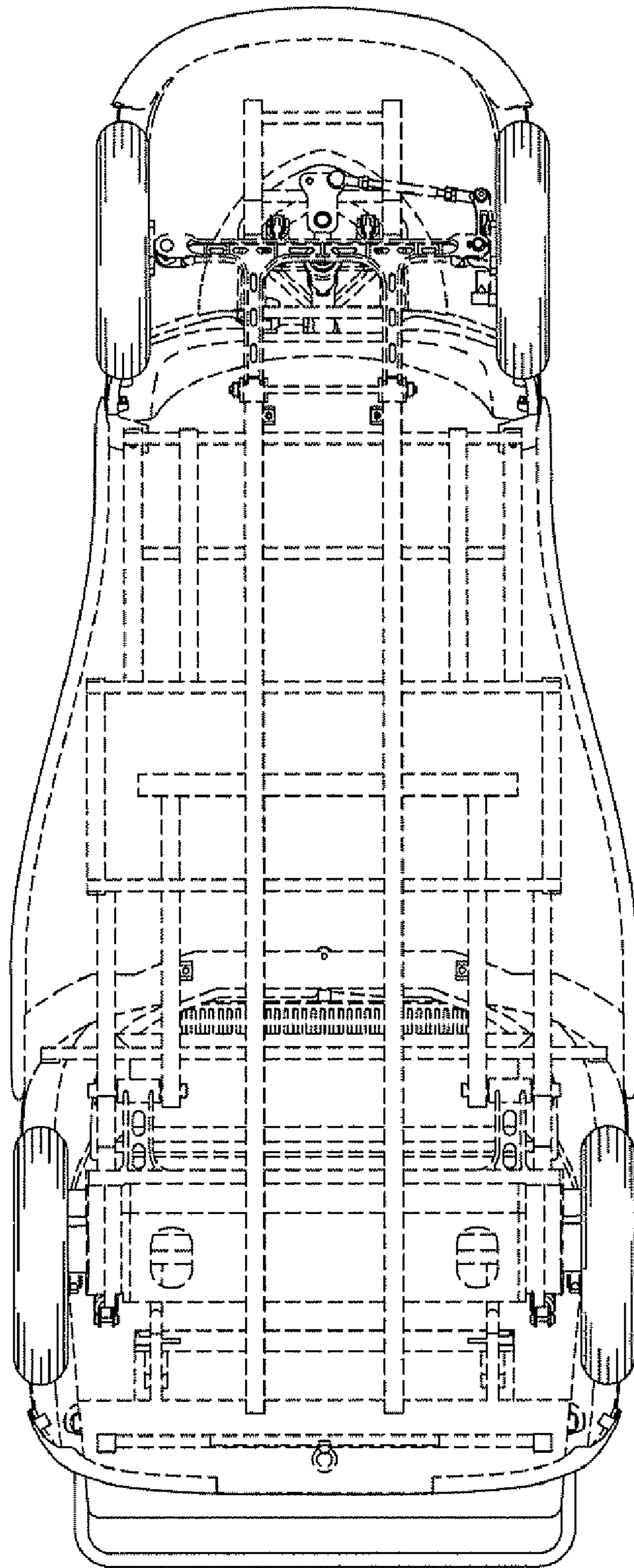


FIG. 7