



US00D599240S

(12) **United States Design Patent**
Pohl et al.

(10) **Patent No.:** **US D599,240 S**
(45) **Date of Patent:** **** Sep. 1, 2009**

(54) **SCALE**
(75) Inventors: **Achim Pohl**, Seeheim-Jugenheim (DE);
Tomas Fiegl, Darmstadt (DE)
(73) Assignee: **Sartorius AG**, Goettingen (DE)
(**) Term: **14 Years**
(21) Appl. No.: **29/313,877**
(22) Filed: **Feb. 17, 2009**

6,844,507 B2 * 1/2005 Leisinger et al. 177/180
D514,966 S * 2/2006 Leisinger et al. D10/91
6,995,323 B2 * 2/2006 Kunzi et al. 177/25.13
7,423,226 B2 * 9/2008 Rotach et al. 177/180
D587,608 S * 3/2009 Marmier D10/91

* cited by examiner

Primary Examiner—Antoine D Davis
(74) *Attorney, Agent, or Firm*—Anthony J. Casella; Gerald E. Hespos

(30) **Foreign Application Priority Data**
Aug. 22, 2008 (EM) 000990213
(51) **LOC (9) Cl.** **10-04**
(52) **U.S. Cl.** **D10/91**
(58) **Field of Classification Search** D10/91;
177/4, 25.12–25.16, 177, 199, 210 R, 238–245,
177/262, 210 C, 30, 126, 127, DIG. 3; 324/692,
324/512, 515, 806; 606/506, 547
See application file for complete search history.

(57) **CLAIM**

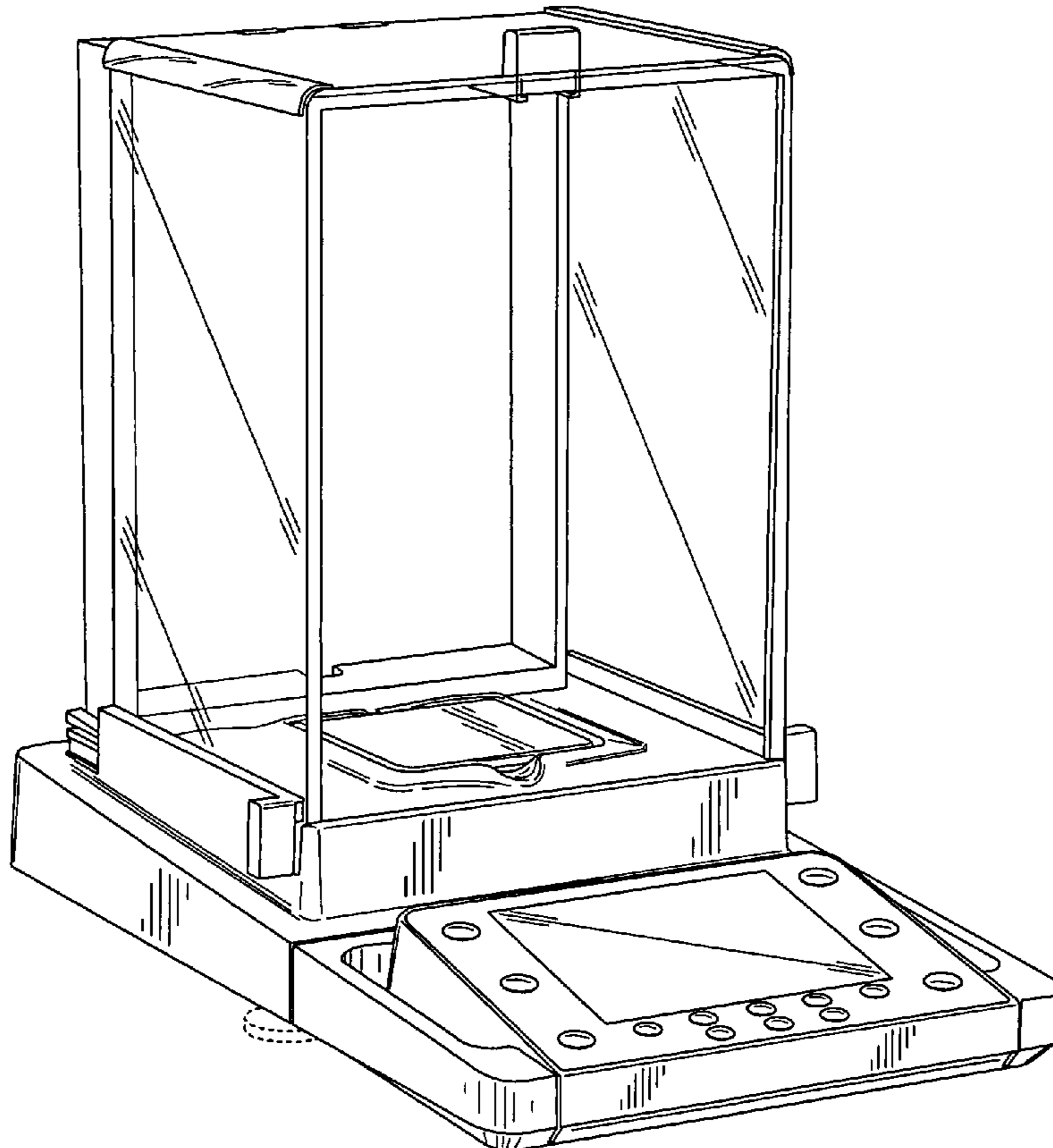
The ornamental design for a scale, as shown and described.

DESCRIPTION

FIG. 1 is a perspective view of a scale showing the new design;
FIG. 2 is a front elevational view thereof;
FIG. 3 is a right-side elevational view thereof, an elevational view of the left side being a mirror image;
FIG. 4 is a rear view thereof;
FIG. 5 is a top plan view thereof; and,
FIG. 6 is a bottom plan view thereof.
The portion shown in dashed lines forms no part of the claimed design.

(56) **References Cited**
U.S. PATENT DOCUMENTS
5,874,694 A * 2/1999 Ruedisueli 177/180
6,246,018 B1 * 6/2001 Schink 177/180
D458,859 S * 6/2002 Dwertmann D10/91
6,633,007 B1 * 10/2003 Luchinger et al. 177/126

1 Claim, 6 Drawing Sheets



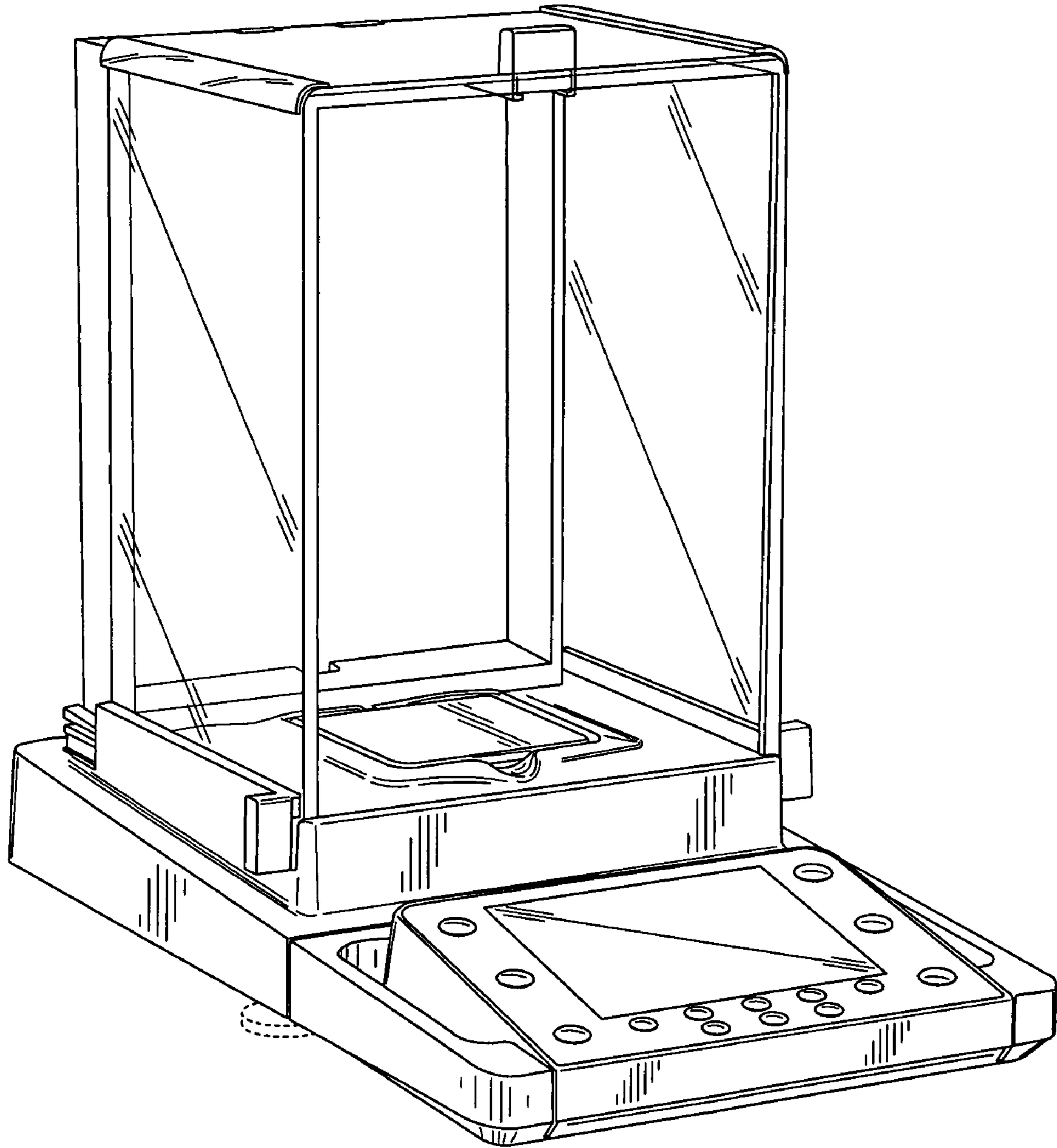


FIG. 1

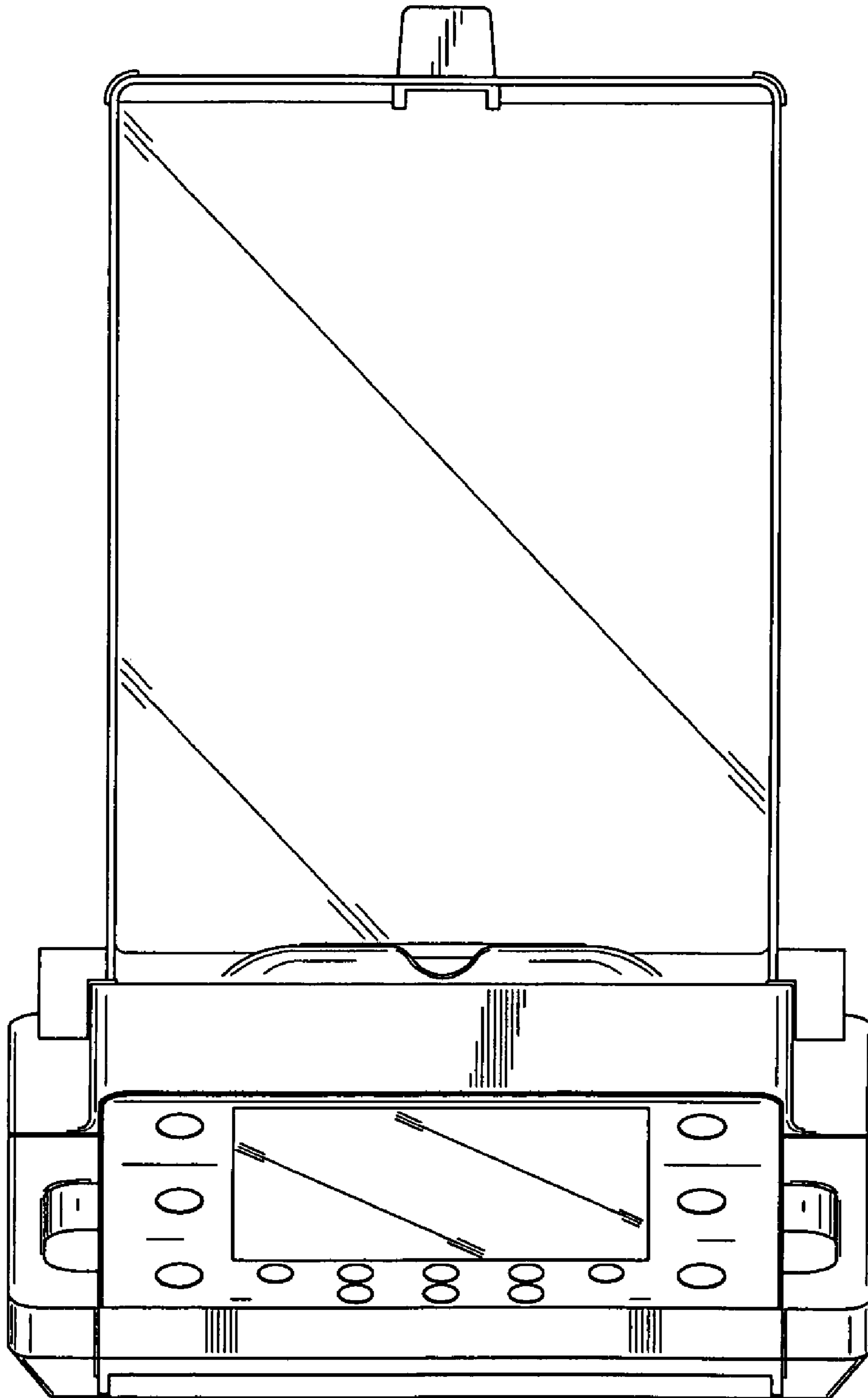


FIG. 2

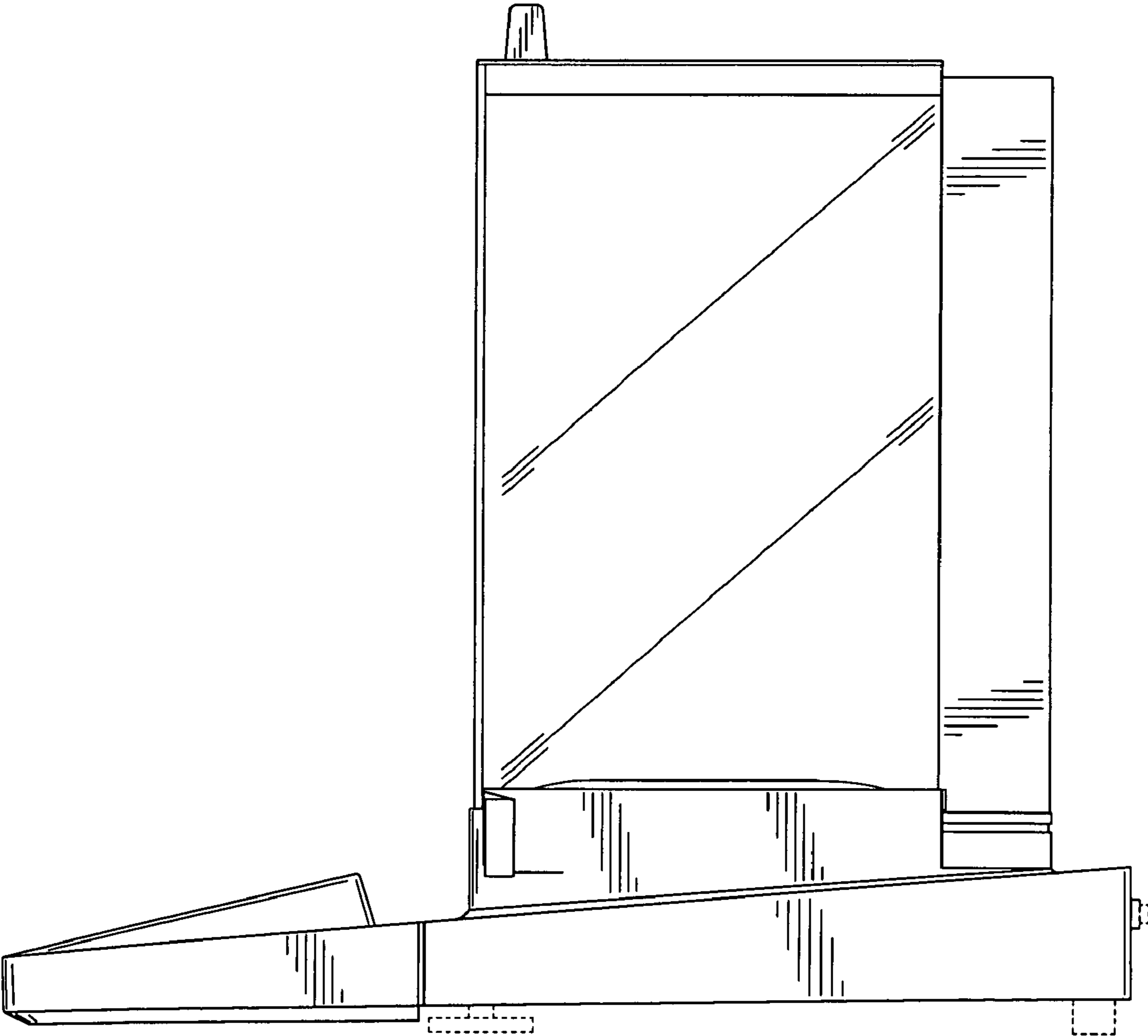


FIG. 3

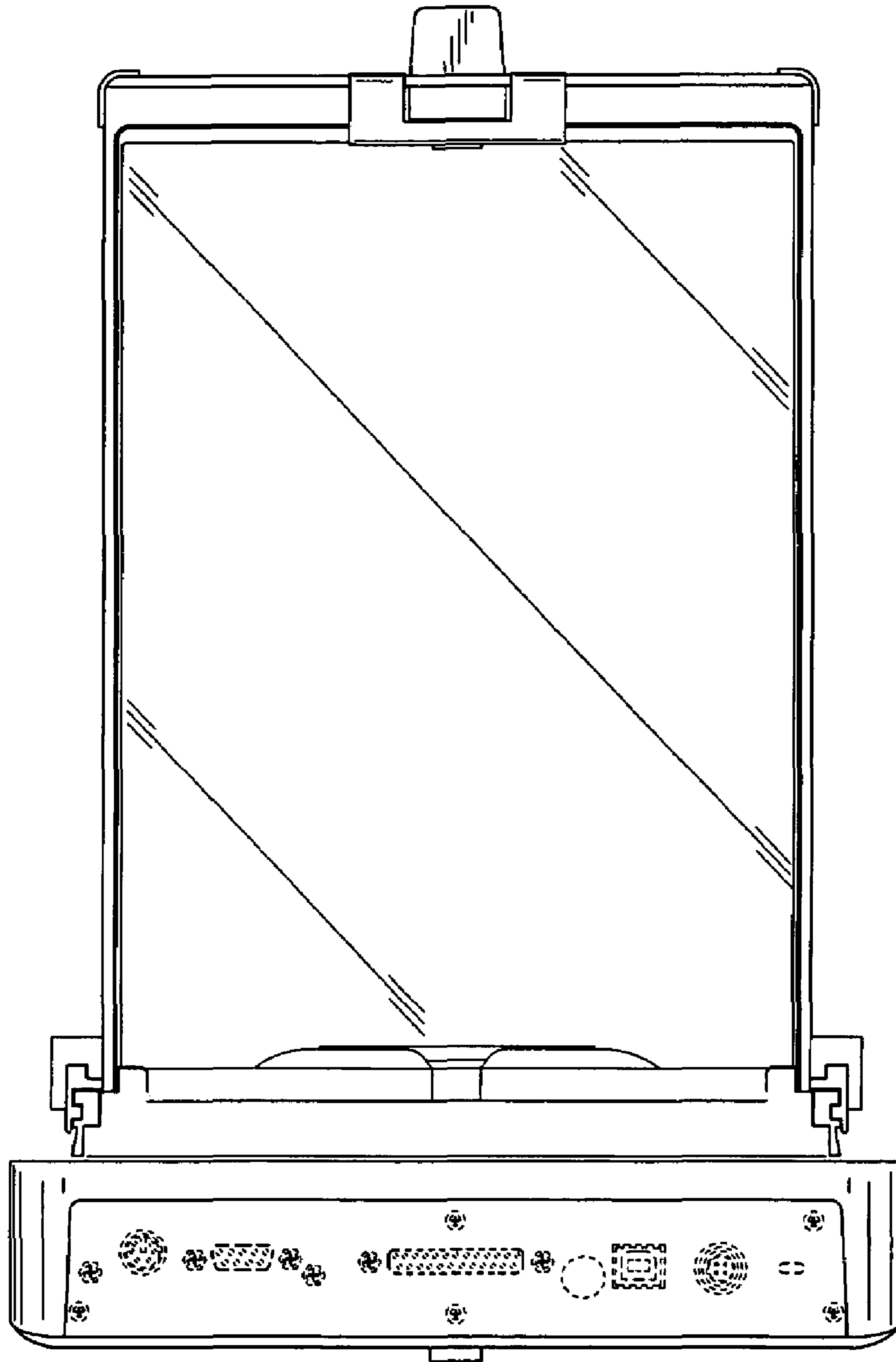


FIG. 4

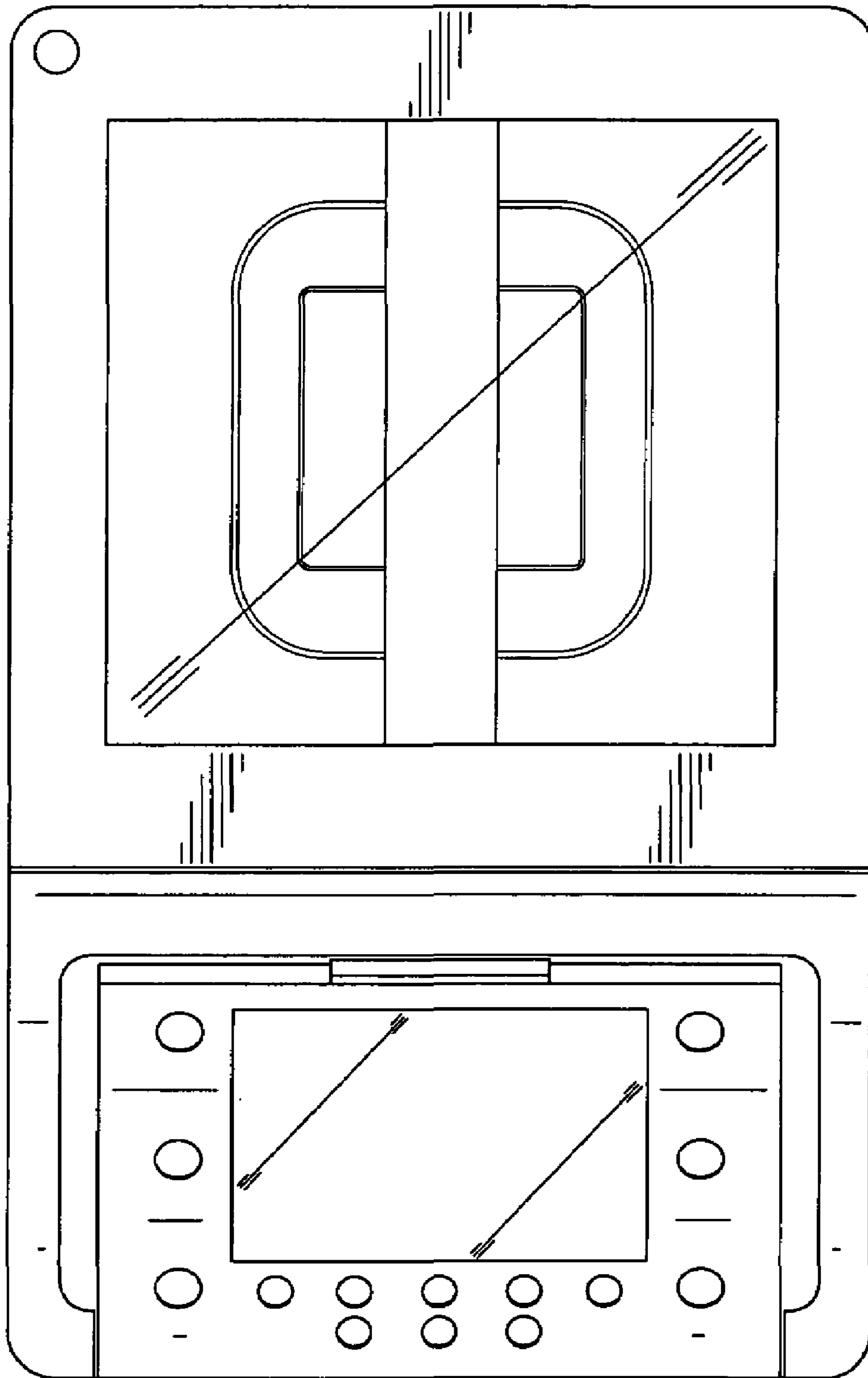


FIG. 5

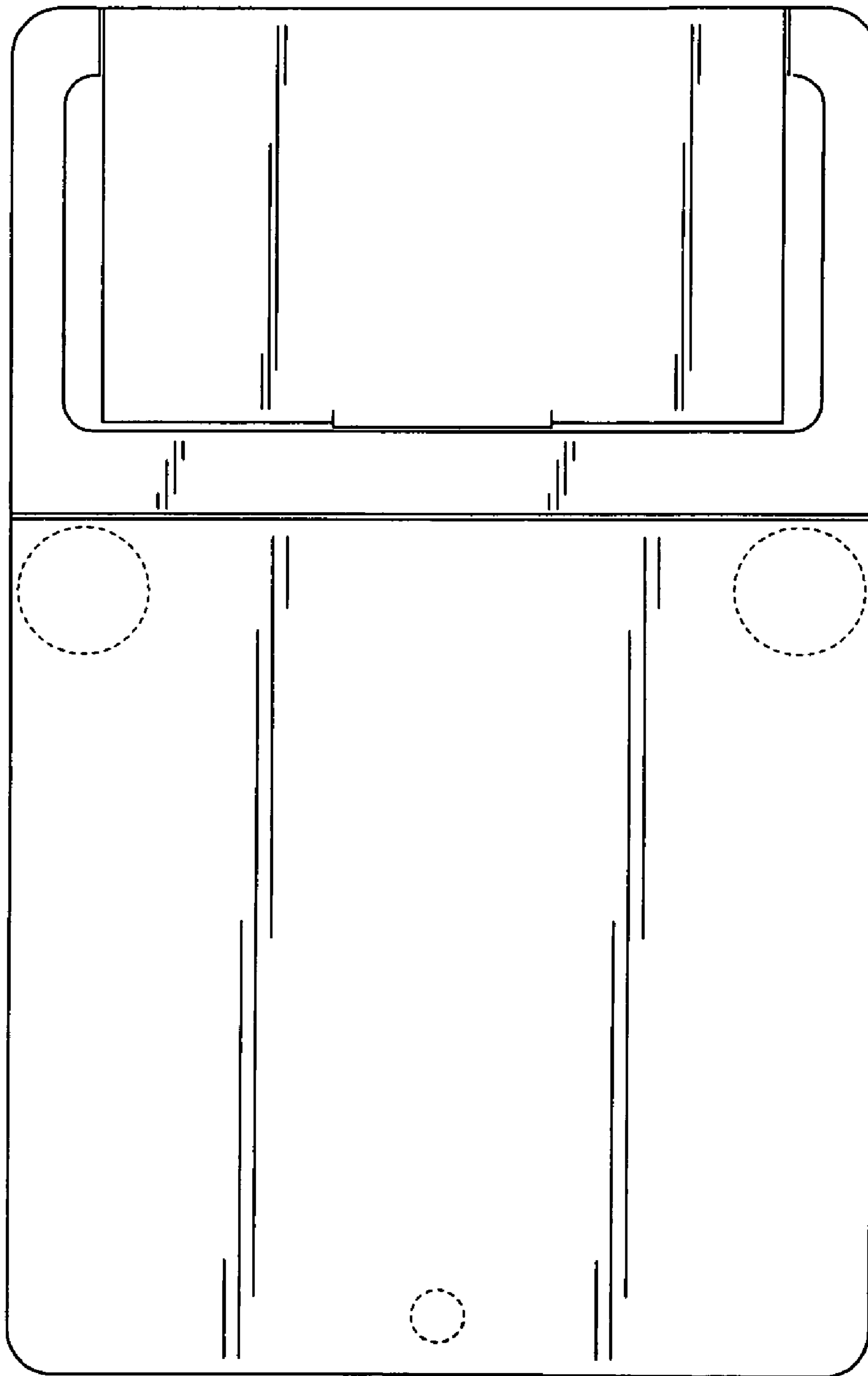


FIG. 6