



US00D599237S

(12) **United States Design Patent**
Maeda

(10) **Patent No.:** **US D599,237 S**
(45) **Date of Patent:** **** Sep. 1, 2009**

(54) **WEIGHING APPARATUS**

(75) Inventor: **Takatsugu Maeda**, Kakogawa (JP)

(73) Assignee: **Yamato Scale Co., Ltd.**, Akashi-shi, Hyogo (JP)

(**) Term: **14 Years**

(21) Appl. No.: **29/332,934**

(22) Filed: **Feb. 27, 2009**

(30) **Foreign Application Priority Data**

Sep. 1, 2008 (JP) 2008-022472

(51) **LOC (9) Cl.** **10-04**

(52) **U.S. Cl.** **D10/87**

(58) **Field of Classification Search** D10/87-92,
D10/94; 177/238-245, 210 R, 210 C, 25,
177/30, 25.15, 25.16, 25.13, 126, 127, DIG. 1;
600/506, 547

See application file for complete search history.

(56) **References Cited**

U.S. PATENT DOCUMENTS

D302,798 S *	8/1989	Wolff, Jr.	D10/91
2006/0162284 A1 *	7/2006	Nakagawa et al.	53/168
2007/0205078 A1 *	9/2007	Tashiro	194/317
2009/0046535 A1 *	2/2009	Carlson et al.	366/118

* cited by examiner

Primary Examiner—Antoine D Davis
(74) *Attorney, Agent, or Firm*—Alleman Hall McCoy Russell & Tuttle LLP

(57) **CLAIM**

The ornamental design for a weighing apparatus, as shown and described.

DESCRIPTION

FIG. 1. is a front view of a weighing apparatus according to the present invention.

FIG. 2 is a rear view of the weighing apparatus of FIG. 1.

FIG. 3 is a top view of the weighing apparatus of FIG. 1.

FIG. 4 is a bottom view of the weighing apparatus of FIG. 1.

FIG. 5 is a left side view of the weighing apparatus of FIG. 1.

FIG. 6 is a right side view of the weighing apparatus of FIG. 1.

FIG. 7 is a front perspective view of the weighing apparatus of FIG. 1.

FIG. 8 is a rear perspective view of the weighing apparatus of FIG. 1.

FIG. 9 is a front view of the weighing apparatus of FIG. 1 showing the weighing apparatus in a second state with electric components storage box folded and legs retracted.

FIG. 10 is a rear view of the weighing apparatus of FIG. 1 showing the weighing apparatus in the second state.

FIG. 11 is a top view of the weighing apparatus of FIG. 1 showing the weighing apparatus in the second state.

FIG. 12 is a bottom view of the weighing apparatus of FIG. 1 showing the weighing apparatus in the second state.

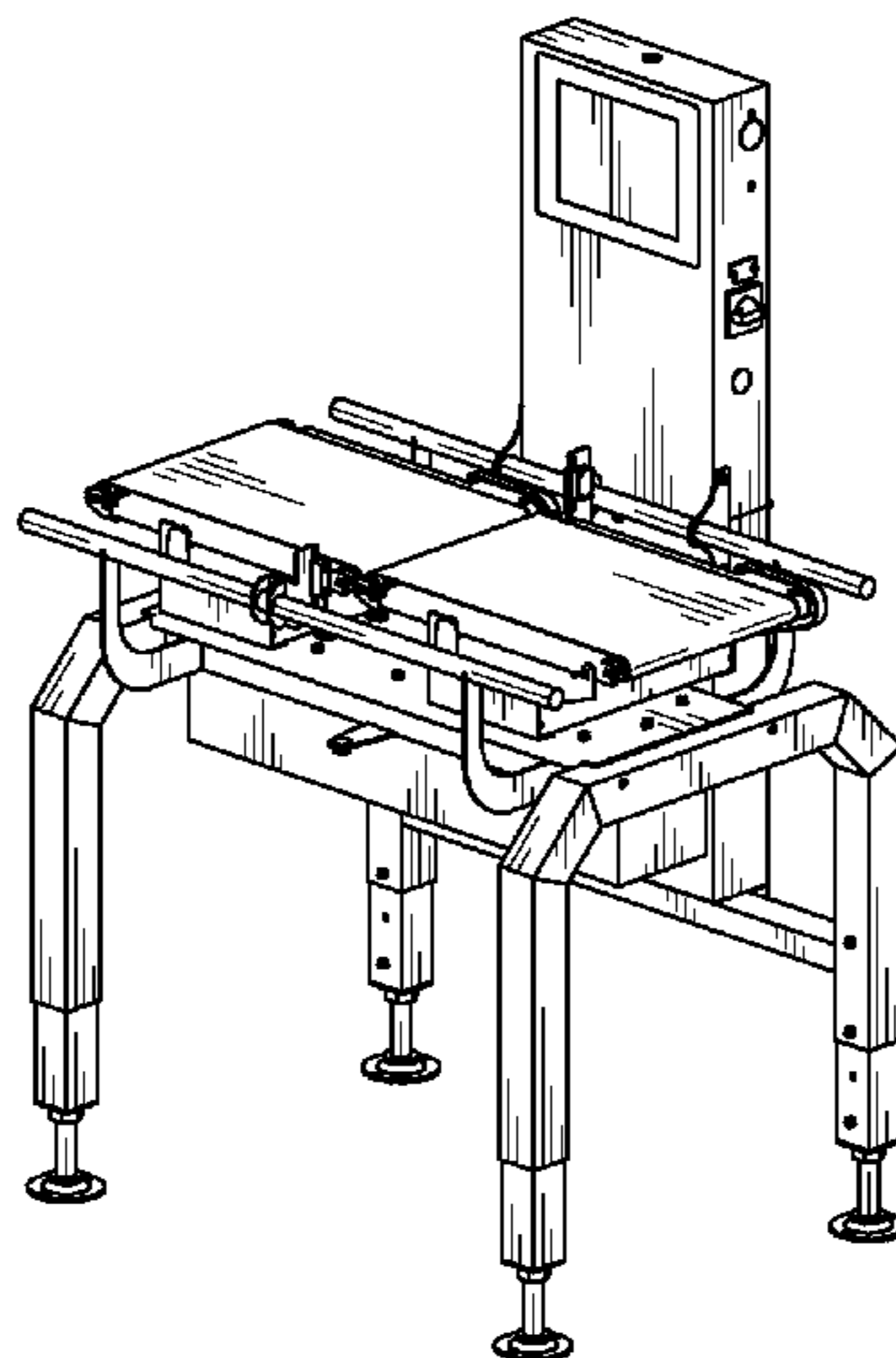
FIG. 13 is a left side view of the weighing apparatus of FIG. 1 showing the weighing apparatus in the second state.

FIG. 14 is a right side view of the weighing apparatus of FIG. 1 showing the weighing apparatus in the second state.

FIG. 15 is a front perspective view of the weighing apparatus of FIG. 1 showing the weighing apparatus in the second state; and,

FIG. 16 is a rear perspective view of the weighing apparatus of FIG. 1 showing the weighing apparatus in the second state.

1 Claim, 7 Drawing Sheets



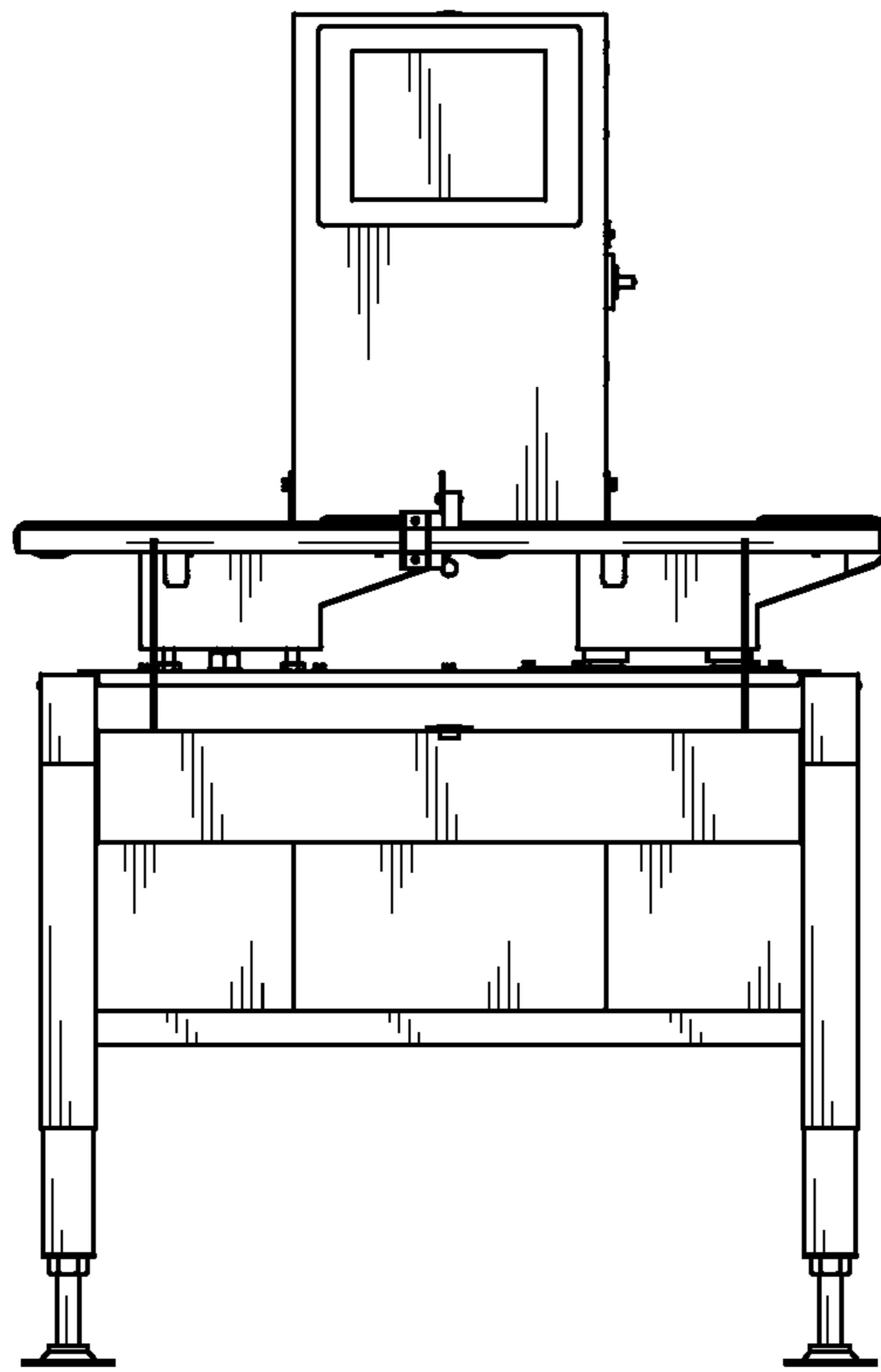


FIG. 1

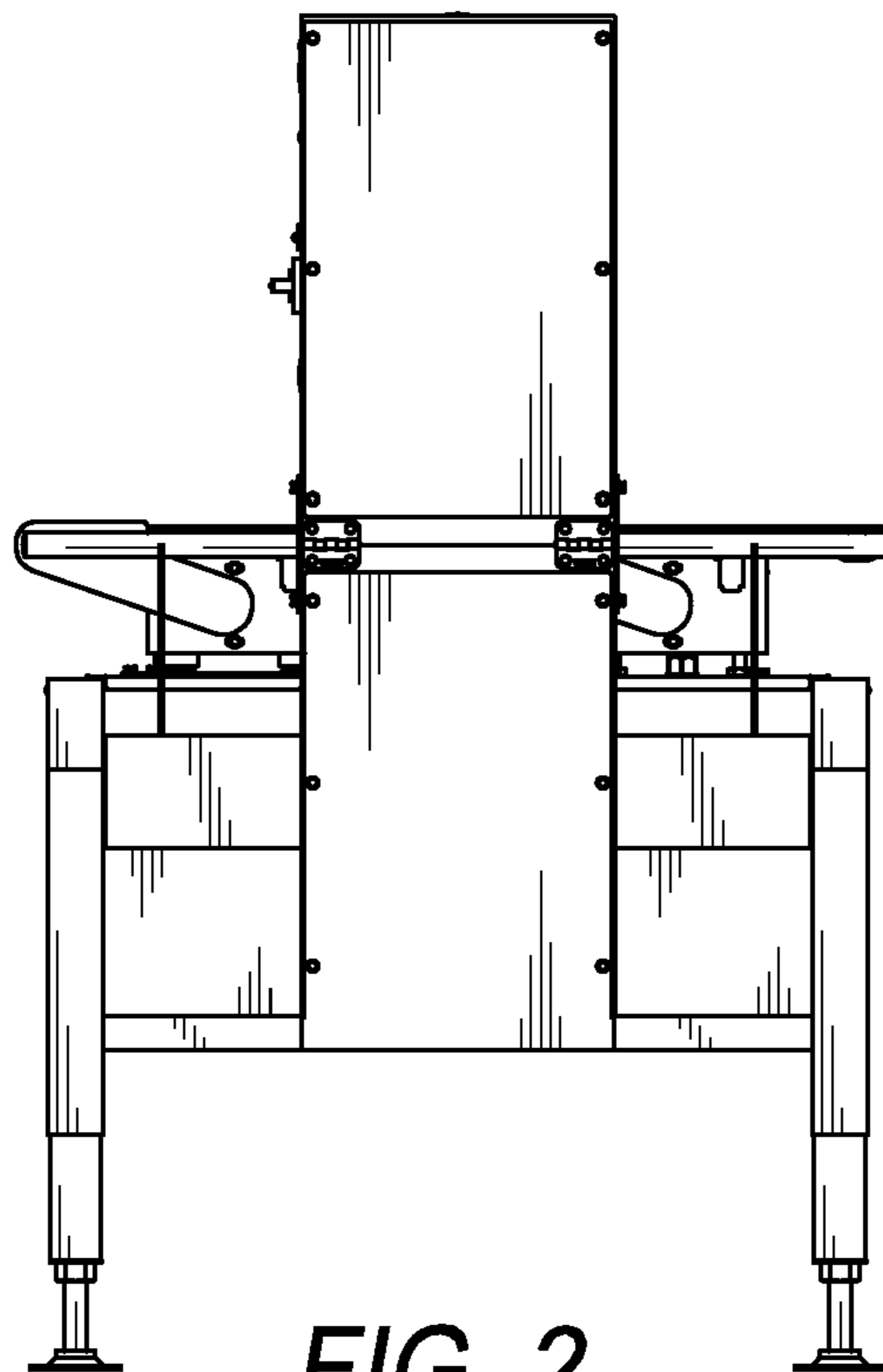


FIG. 2

FIG. 3

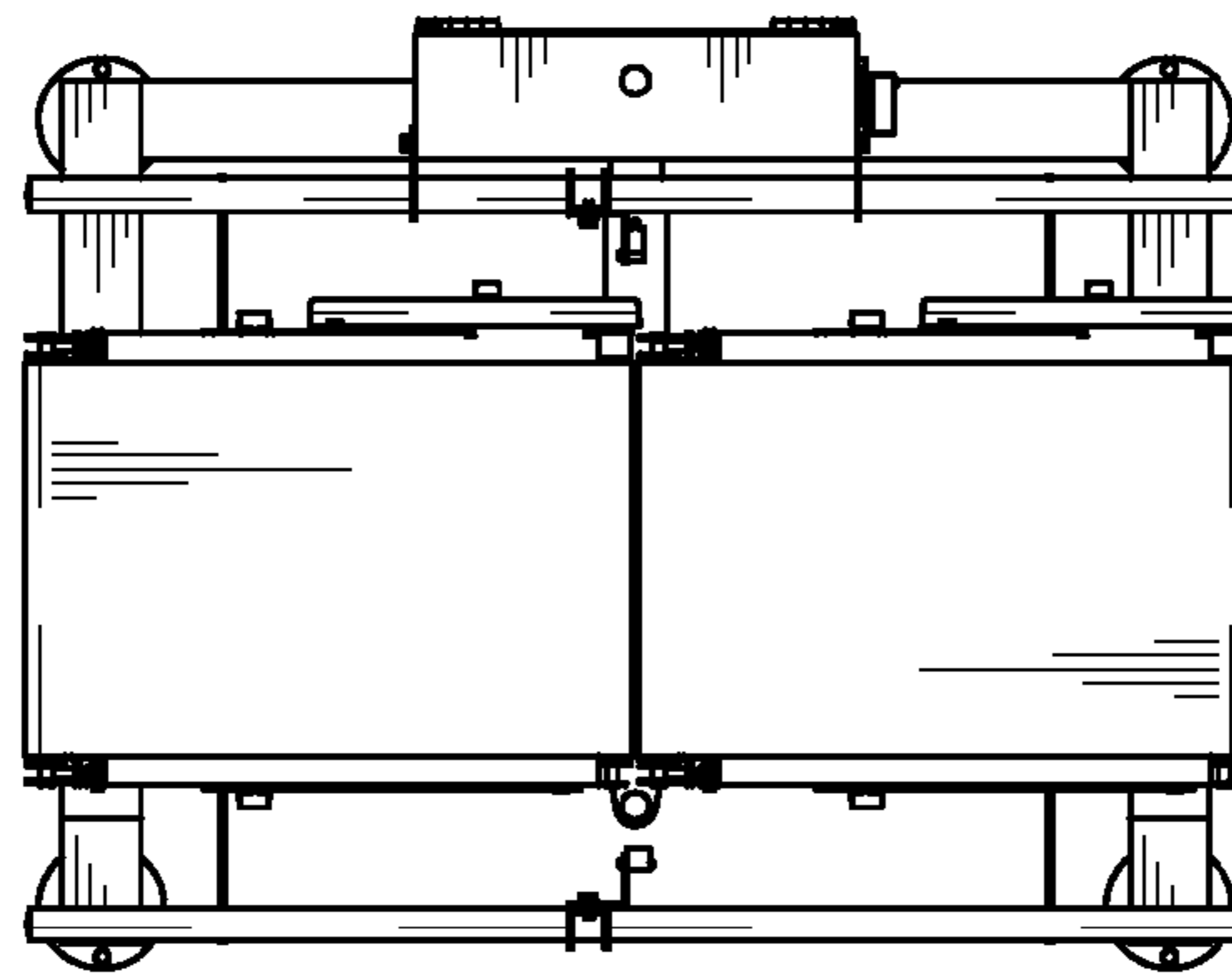


FIG. 4

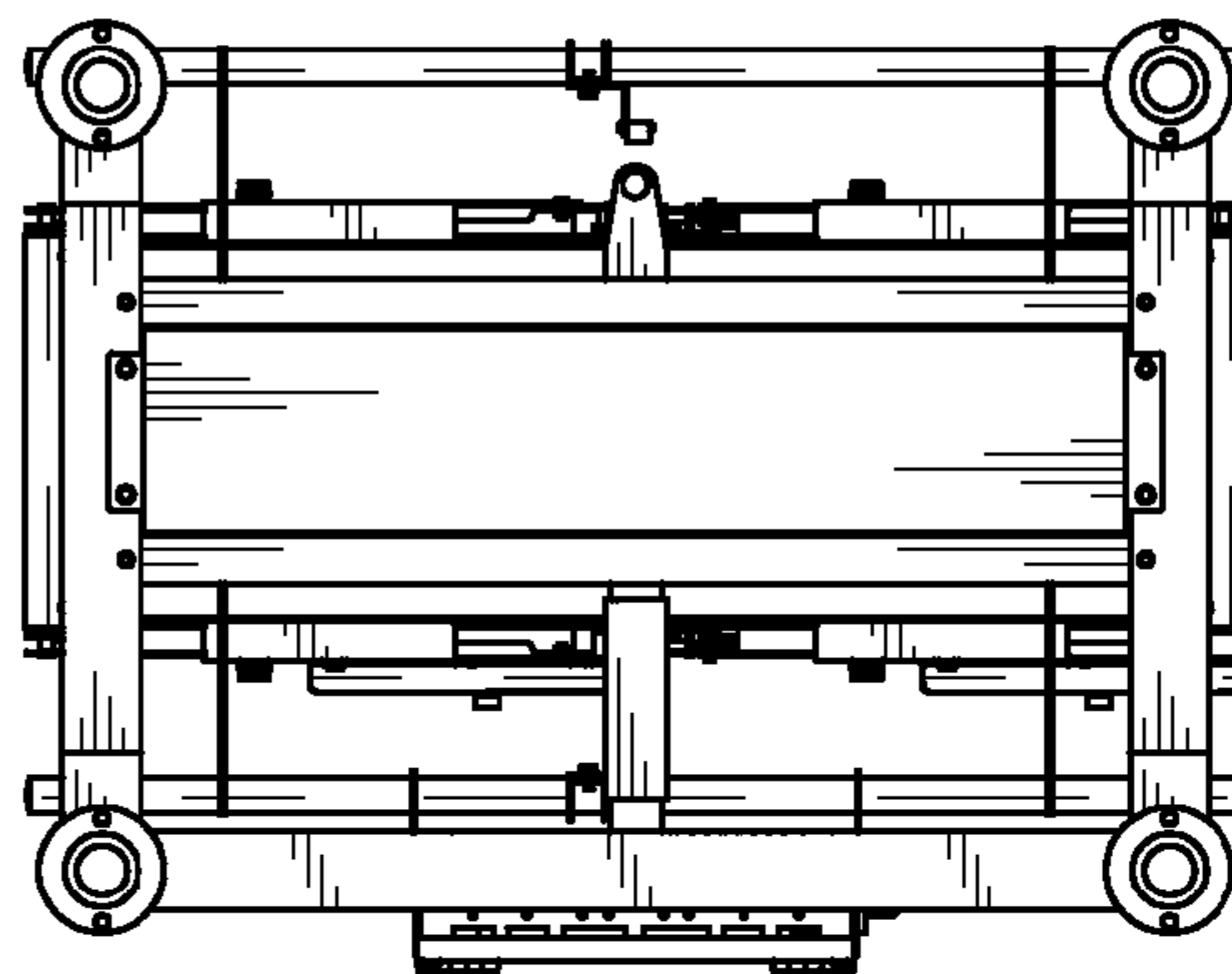


FIG. 5

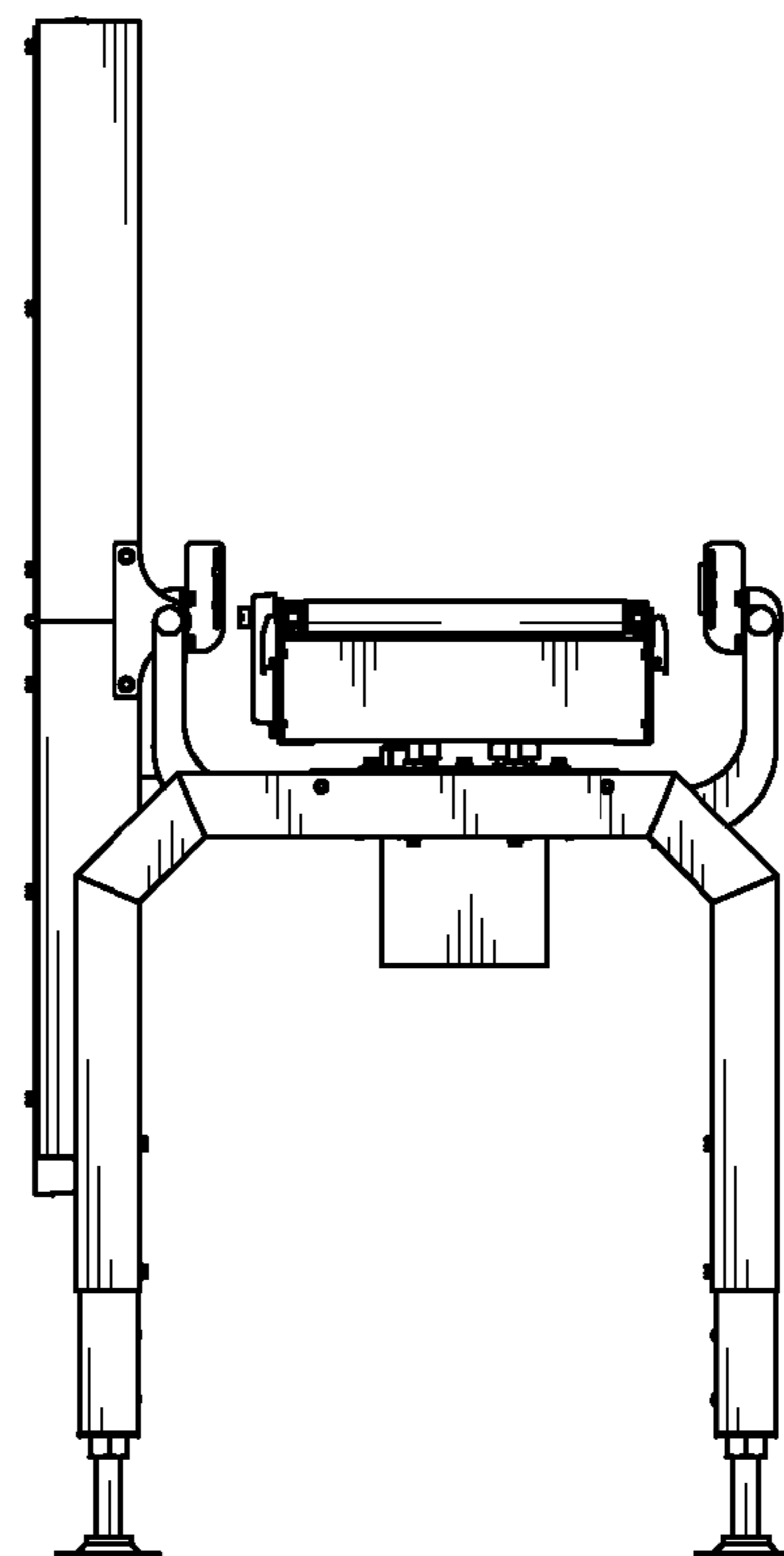


FIG. 6

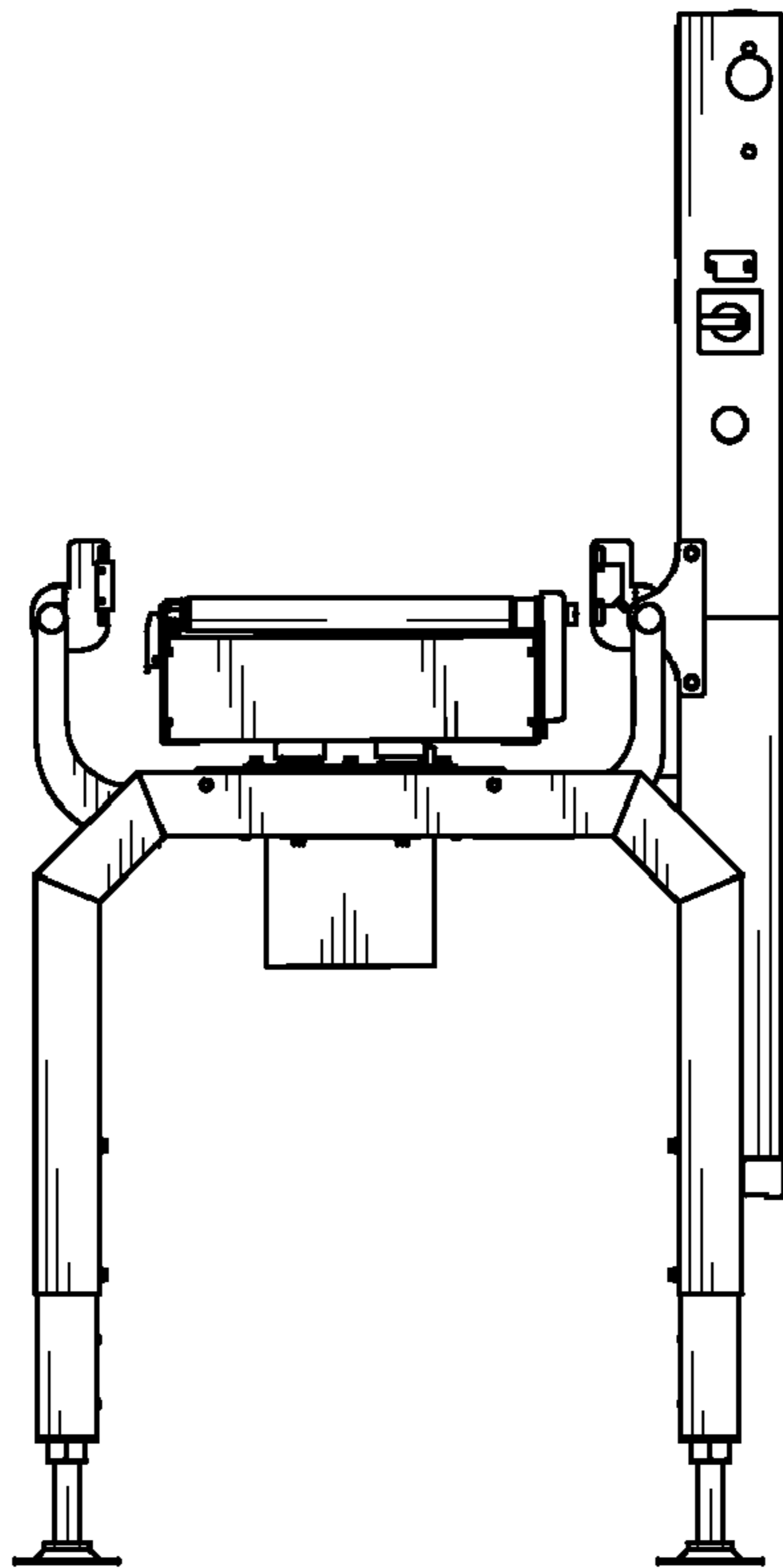
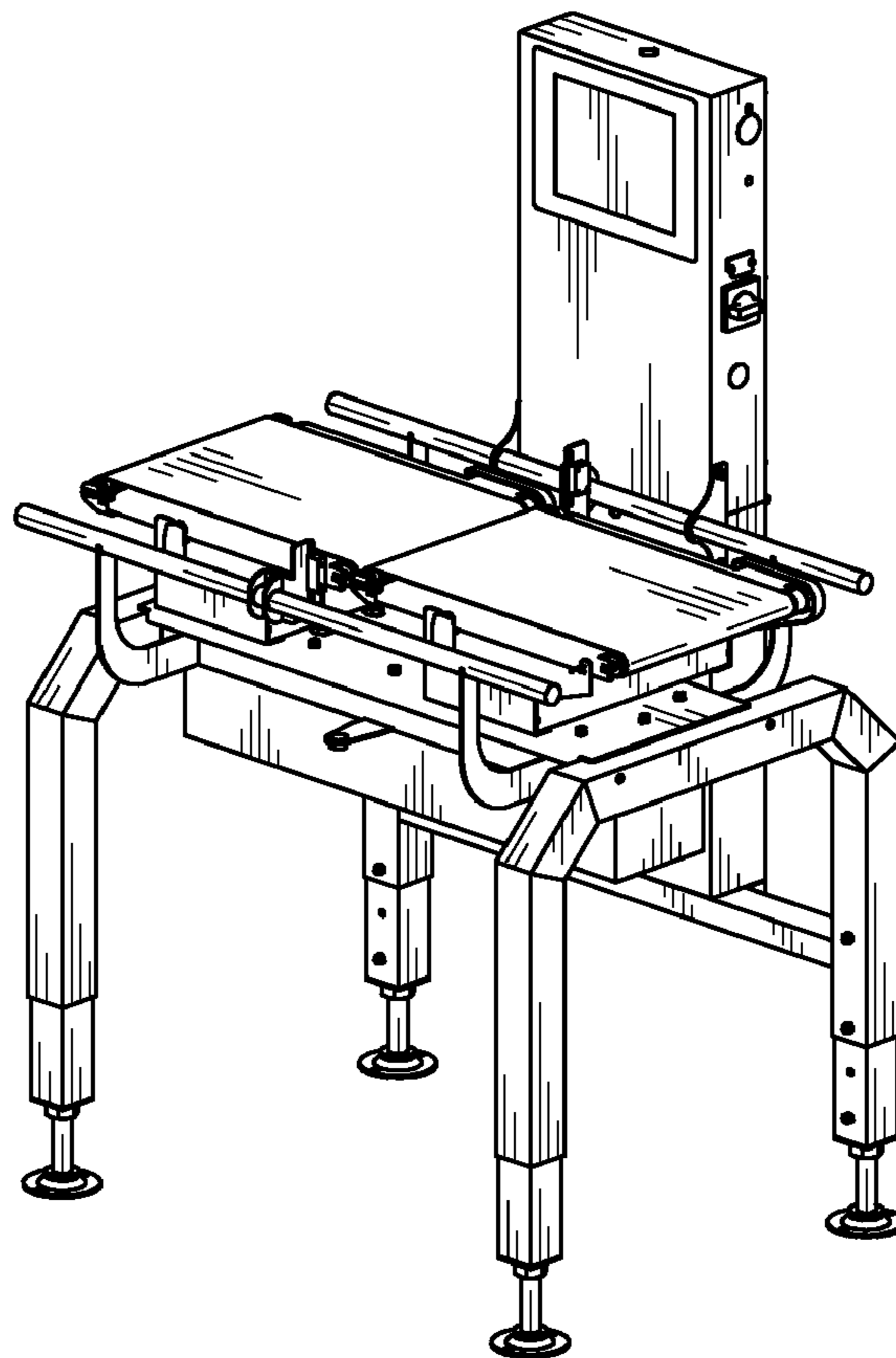


FIG. 7



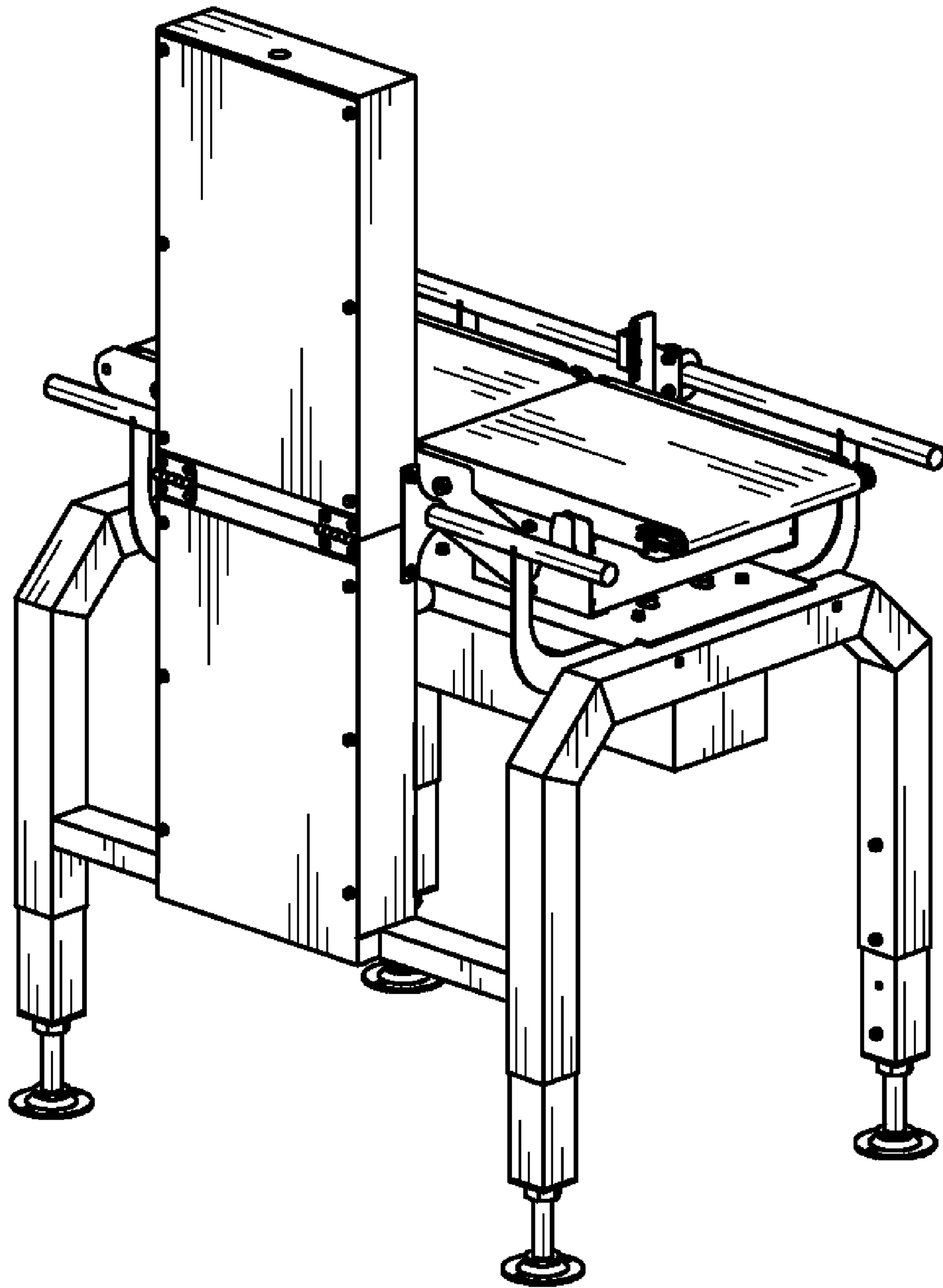


FIG. 8

FIG. 9

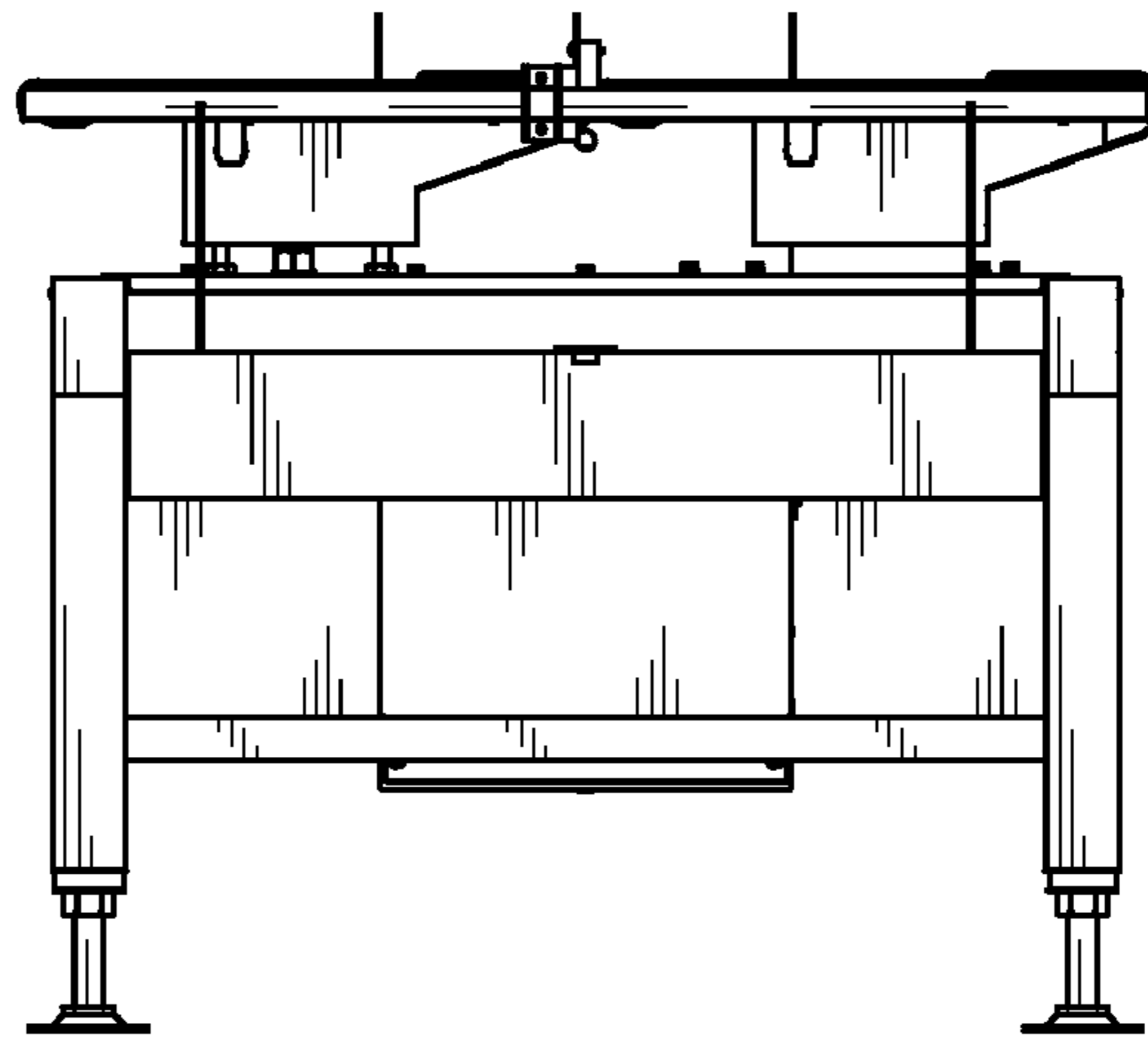


FIG. 10

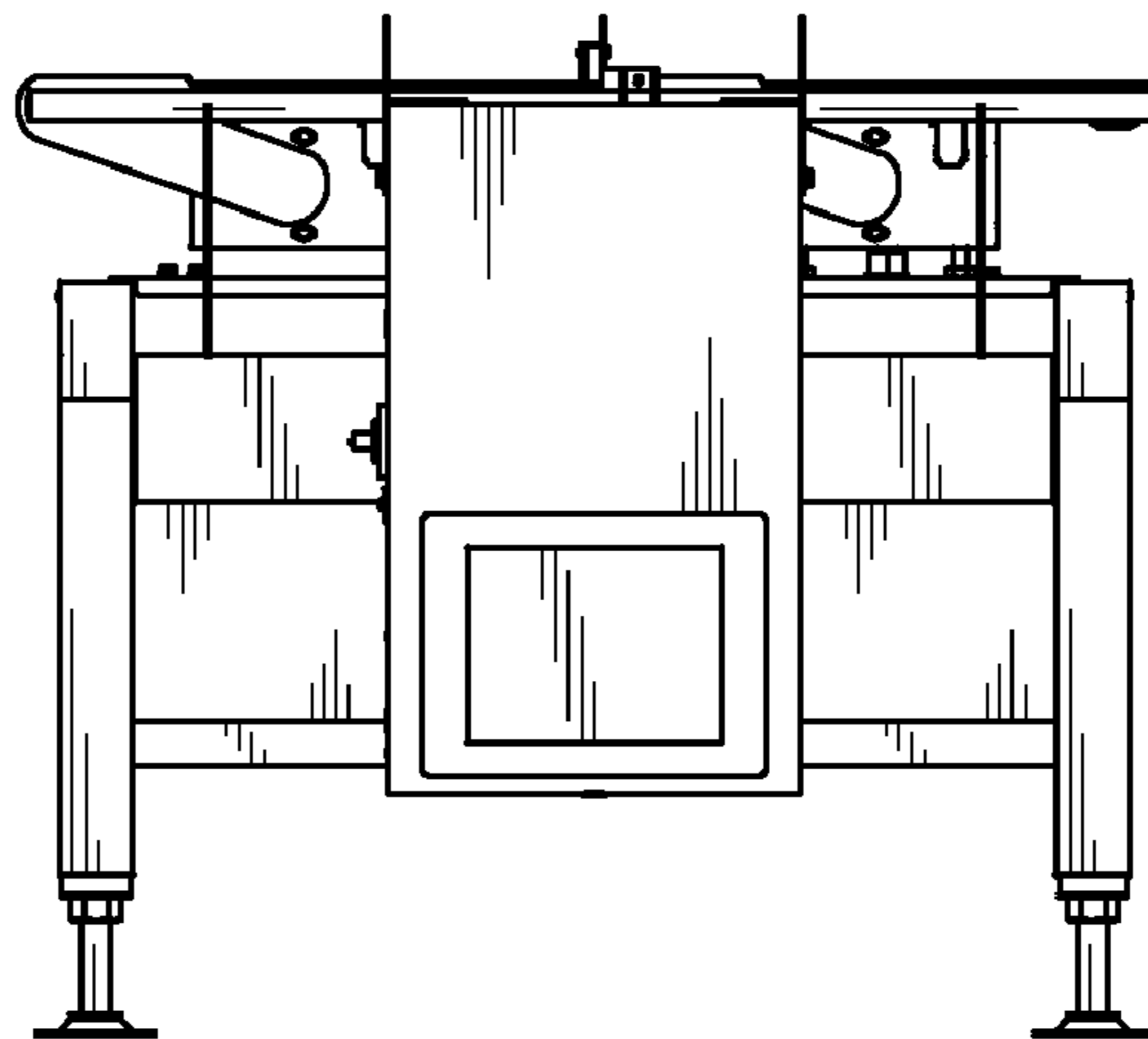


FIG. 11

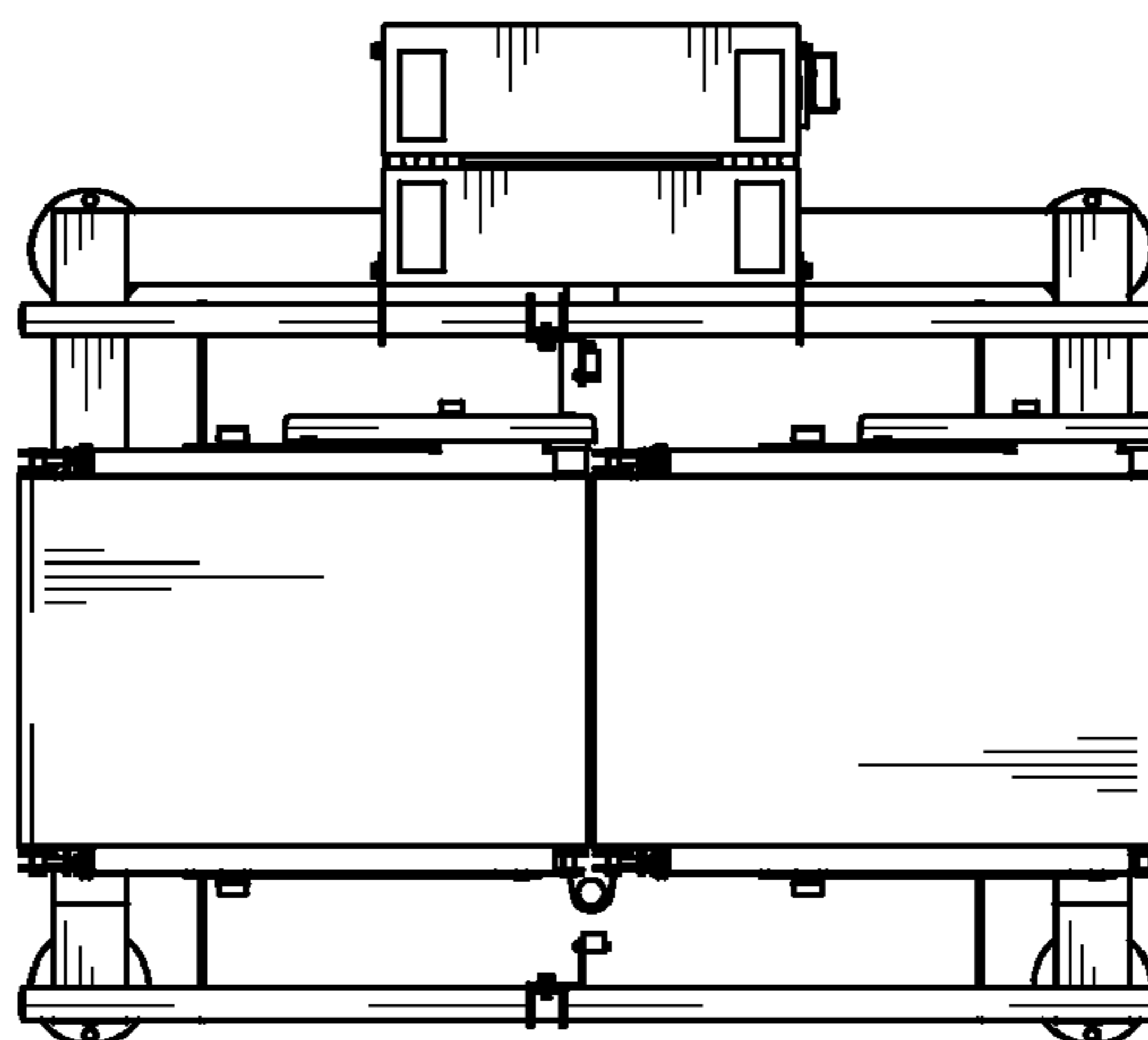


FIG. 12

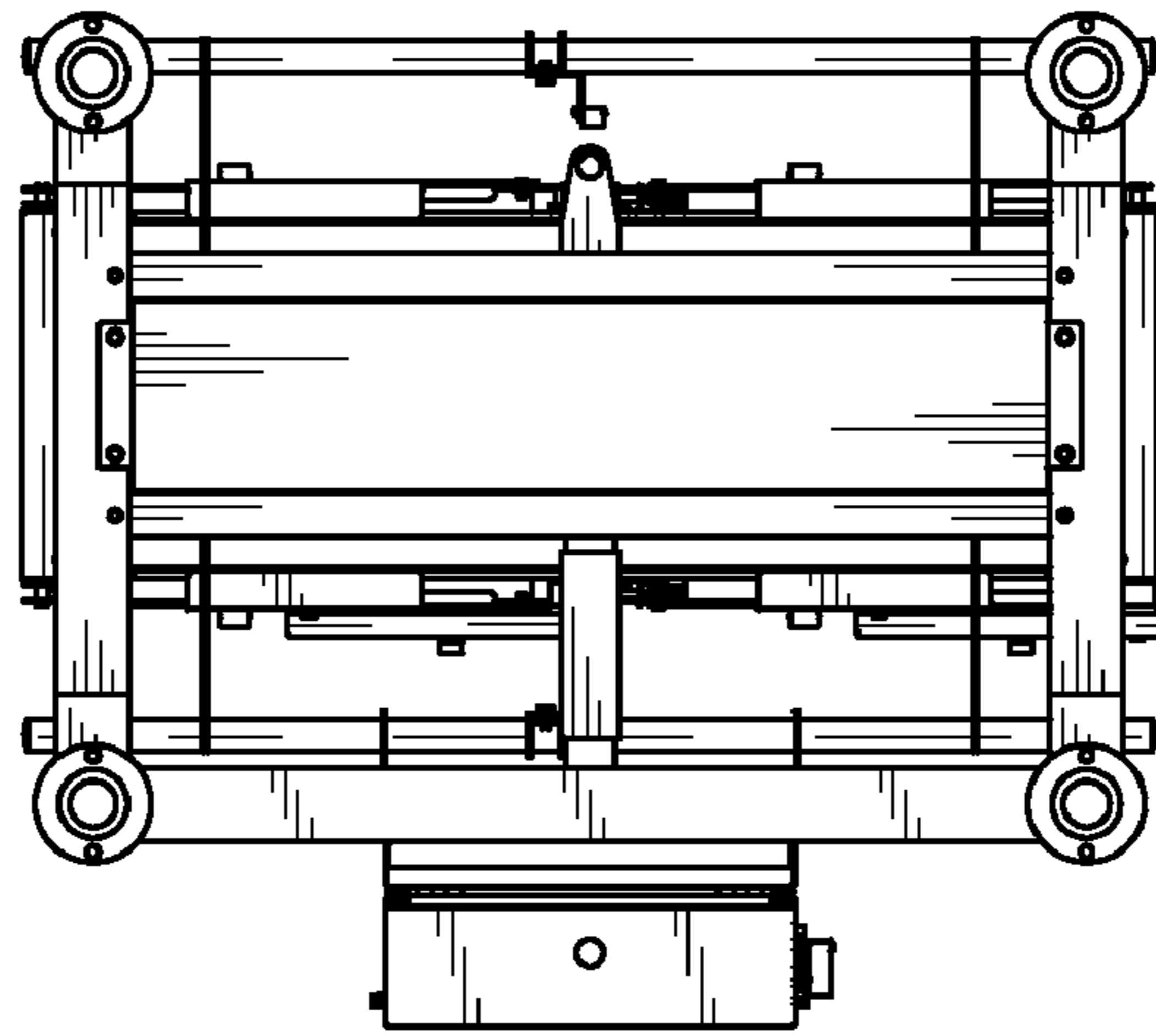


FIG. 13

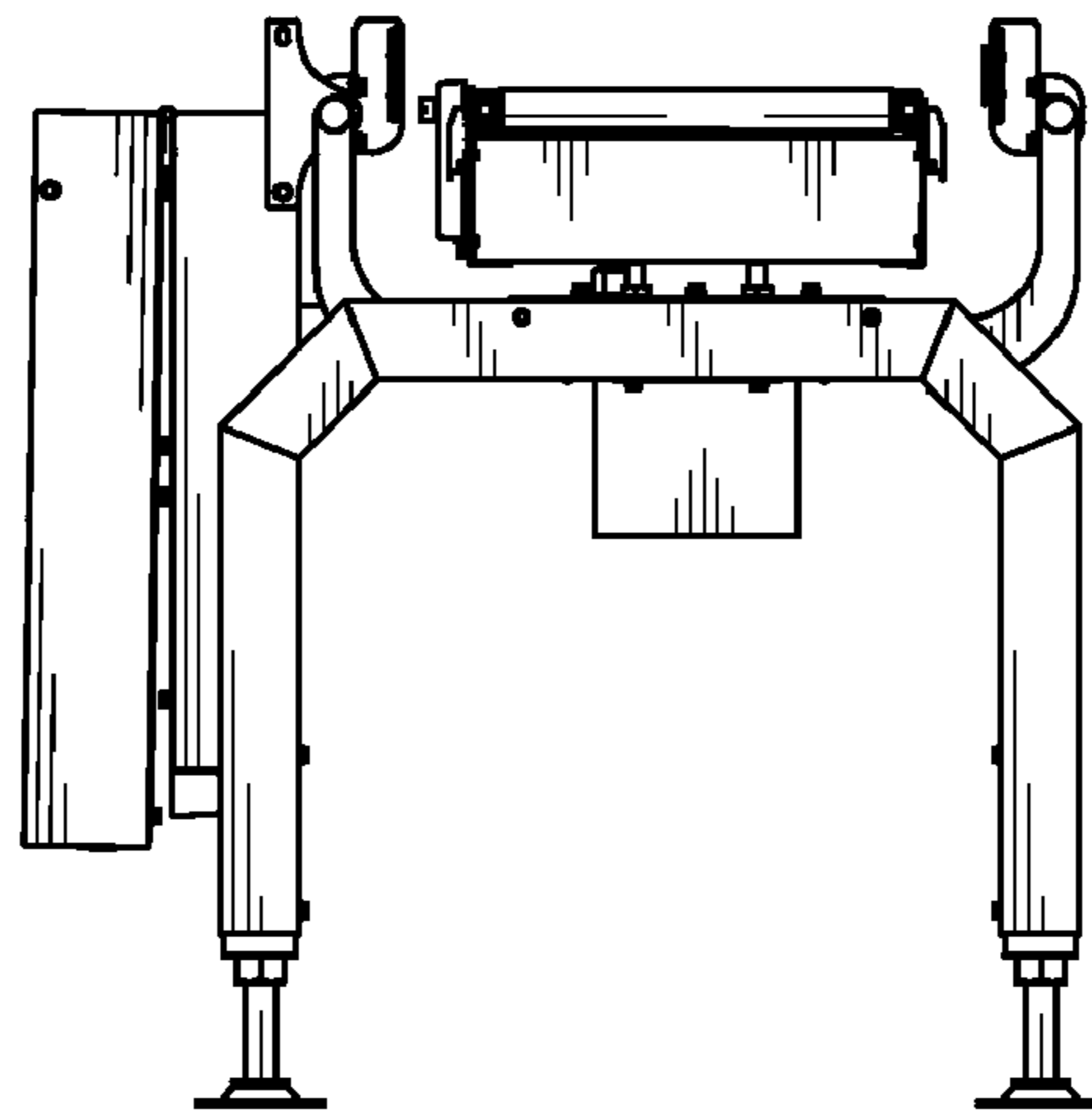


FIG. 14

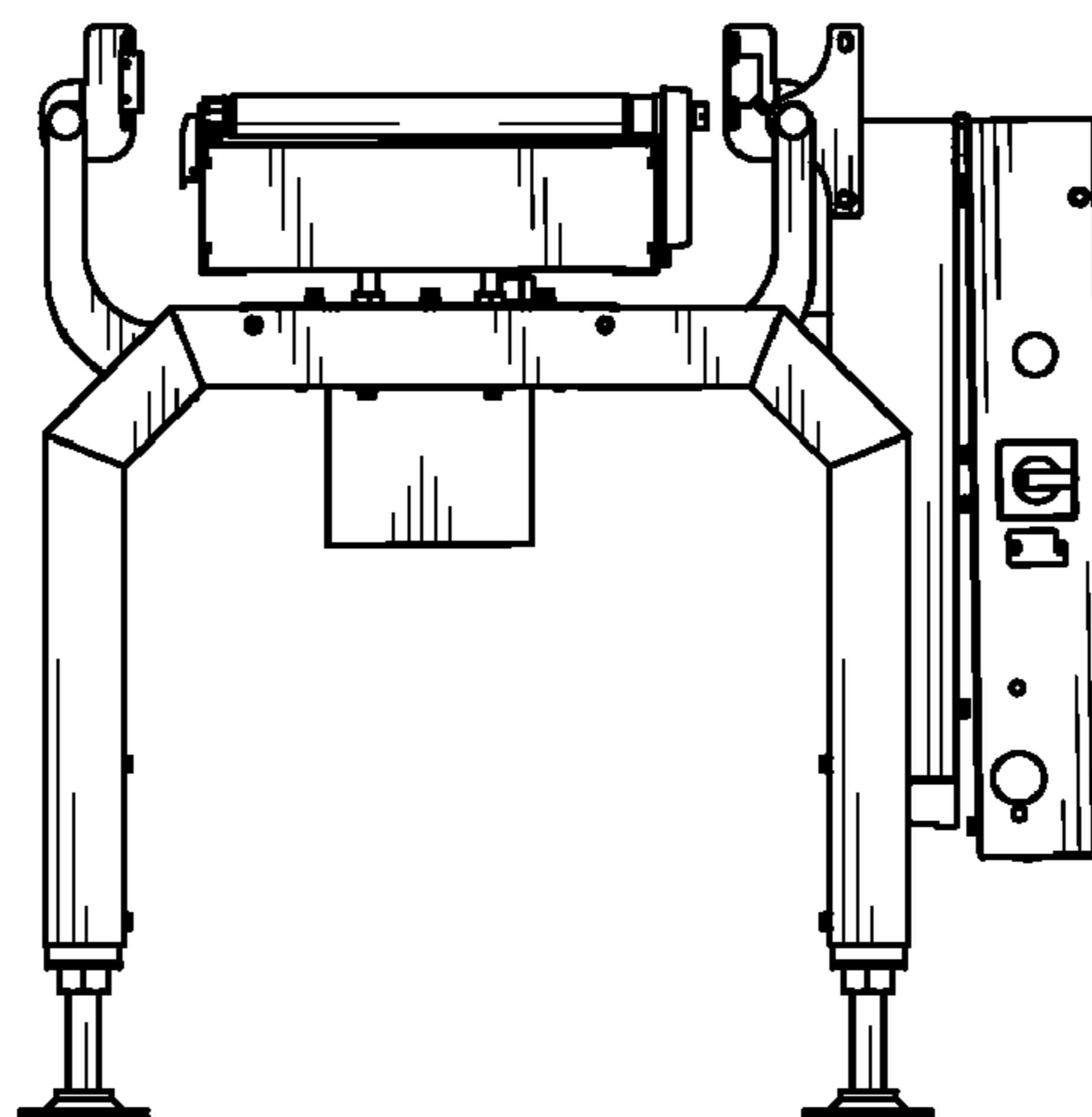


FIG. 15

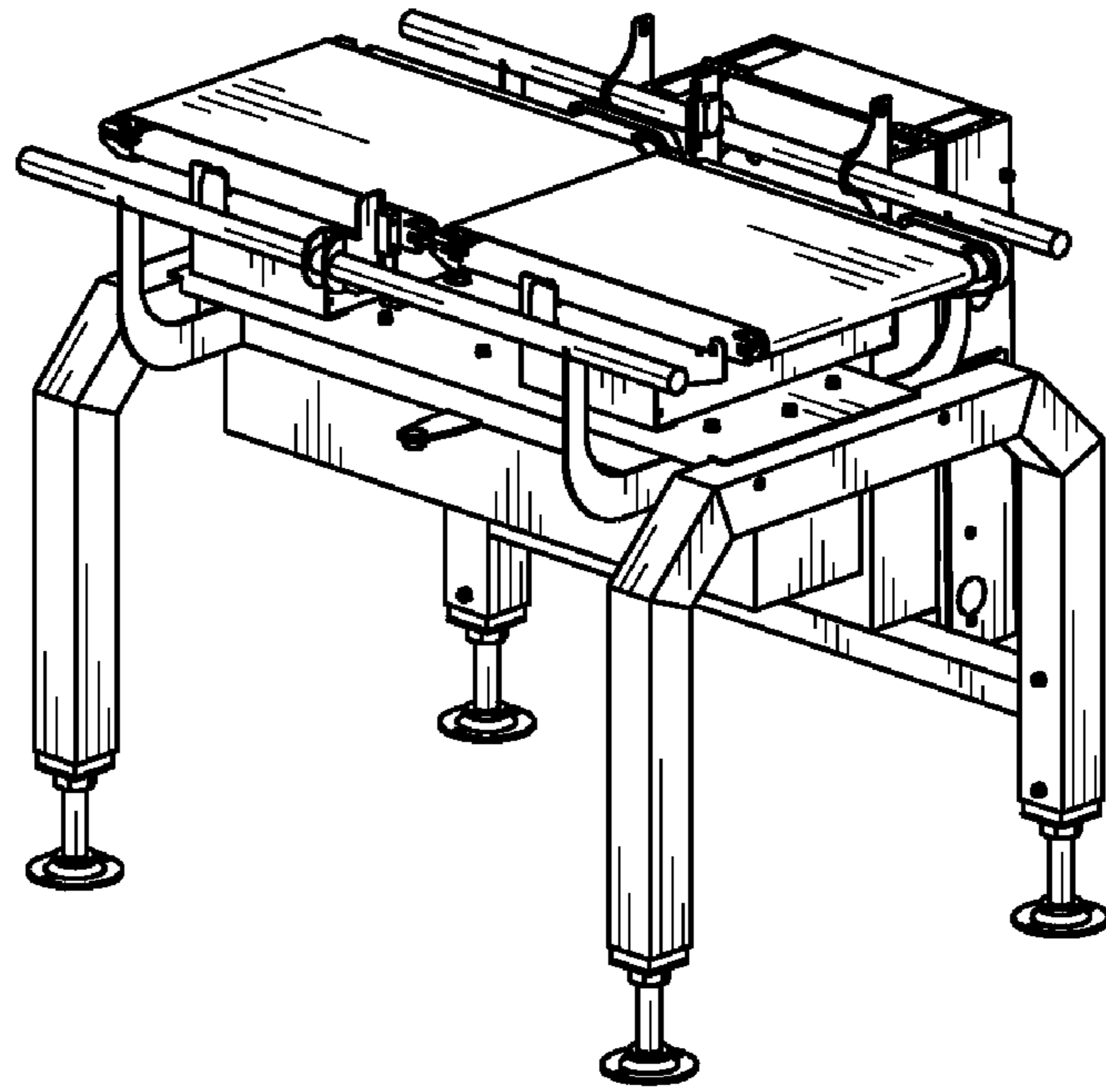


FIG. 16

