

US00D599234S

(12) **United States Design Patent**
Ito

(10) **Patent No.:** **US D599,234 S**

(45) **Date of Patent:** **** Sep. 1, 2009**

(54) **AUTO-SAMPLER FOR CHROMATOGRAPH**

(75) Inventor: **Toru Ito**, Tokyo (JP)

(73) Assignee: **Shiseido Co., Ltd.**, Tokyo (JP)

(**) Term: **14 Years**

(21) Appl. No.: **29/311,599**

(22) Filed: **Apr. 28, 2009**

(51) **LOC (9) Cl.** **10-04**

(52) **U.S. Cl.** **D10/81**

(58) **Field of Classification Search** D10/81;
D24/216, 231–233; 73/23.41, 61.55, 61.56,
73/863.01, 864, 864.01, 864.21, 864.86,
73/864.87; 96/103, 106; 210/189, 198.2,
210/656; 235/462.21; 250/281, 282, 577
See application file for complete search history.

(56) **References Cited**

U.S. PATENT DOCUMENTS

D424,956 S *	5/2000	von Buelow et al.	D10/81
D474,280 S *	5/2003	Niedbala et al.	D24/232
D523,153 S *	6/2006	Akashi et al.	D10/81
7,319,031 B2 *	1/2008	Vent et al.	435/286.2
2008/0156119 A1 *	7/2008	Zilioli	73/864.21

2008/0219886 A1 *	9/2008	Fukuju et al.	422/63
2008/0286753 A1 *	11/2008	Erickson et al.	422/63
2009/0035873 A1 *	2/2009	Shibata	422/63

* cited by examiner

Primary Examiner—Antoine D Davis

(74) *Attorney, Agent, or Firm*—Manabu Kanesaka

(57) **CLAIM**

The ornamental design for an auto-sampler for chromatograph, as shown and described.

DESCRIPTION

FIG. 1 is a perspective view of an auto-sampler for chromatograph showing my new design;

FIG. 2 is a front view thereof;

FIG. 3 is a rear view thereof;

FIG. 4 is a plan view thereof;

FIG. 5 is a bottom view thereof;

FIG. 6 is a right side view thereof;

FIG. 7 is a left side view thereof; and,

FIG. 8 is a sectional view thereof taken along line 8—8 in FIG. 2.

1 Claim, 5 Drawing Sheets

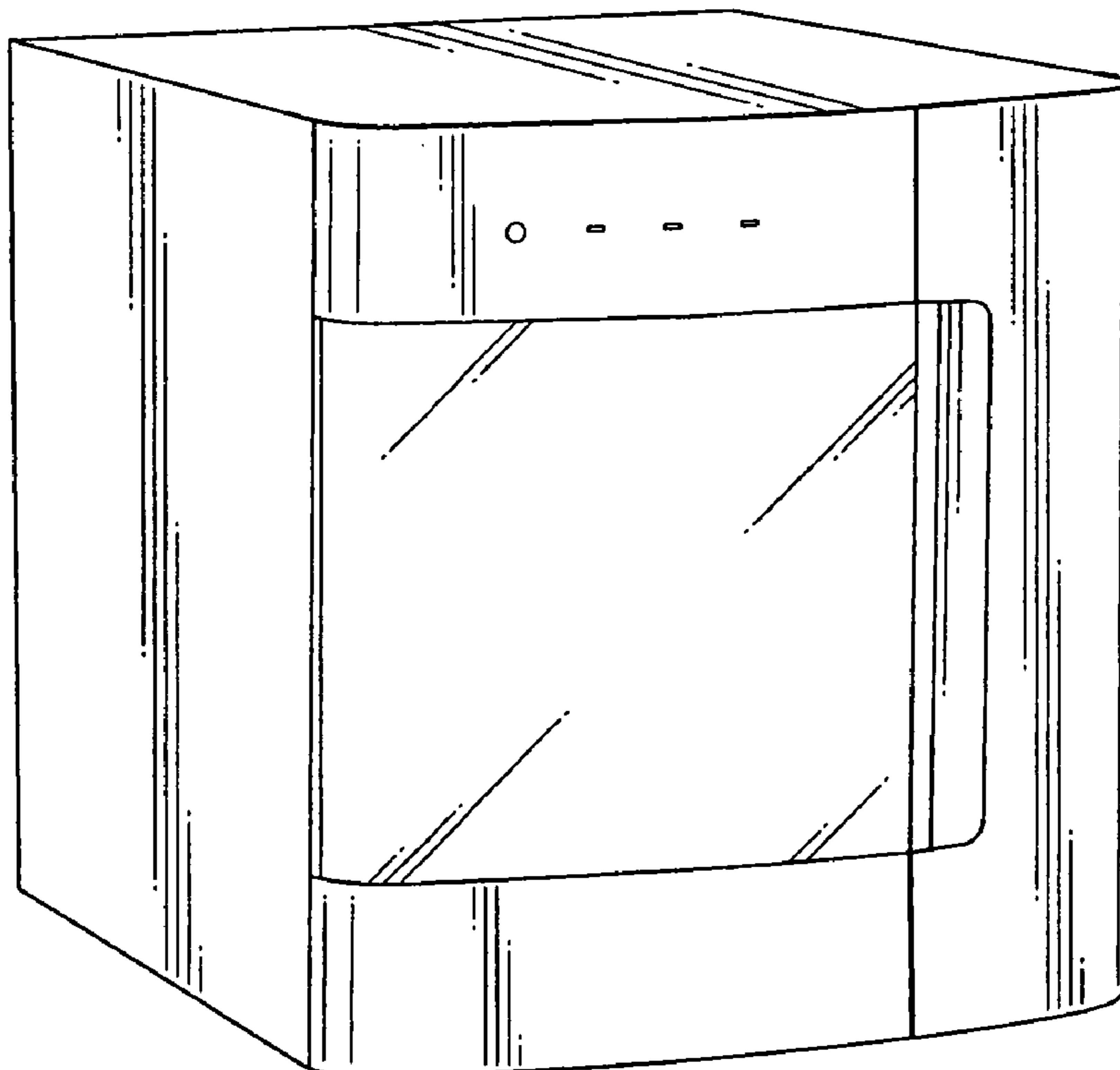


FIG. 1

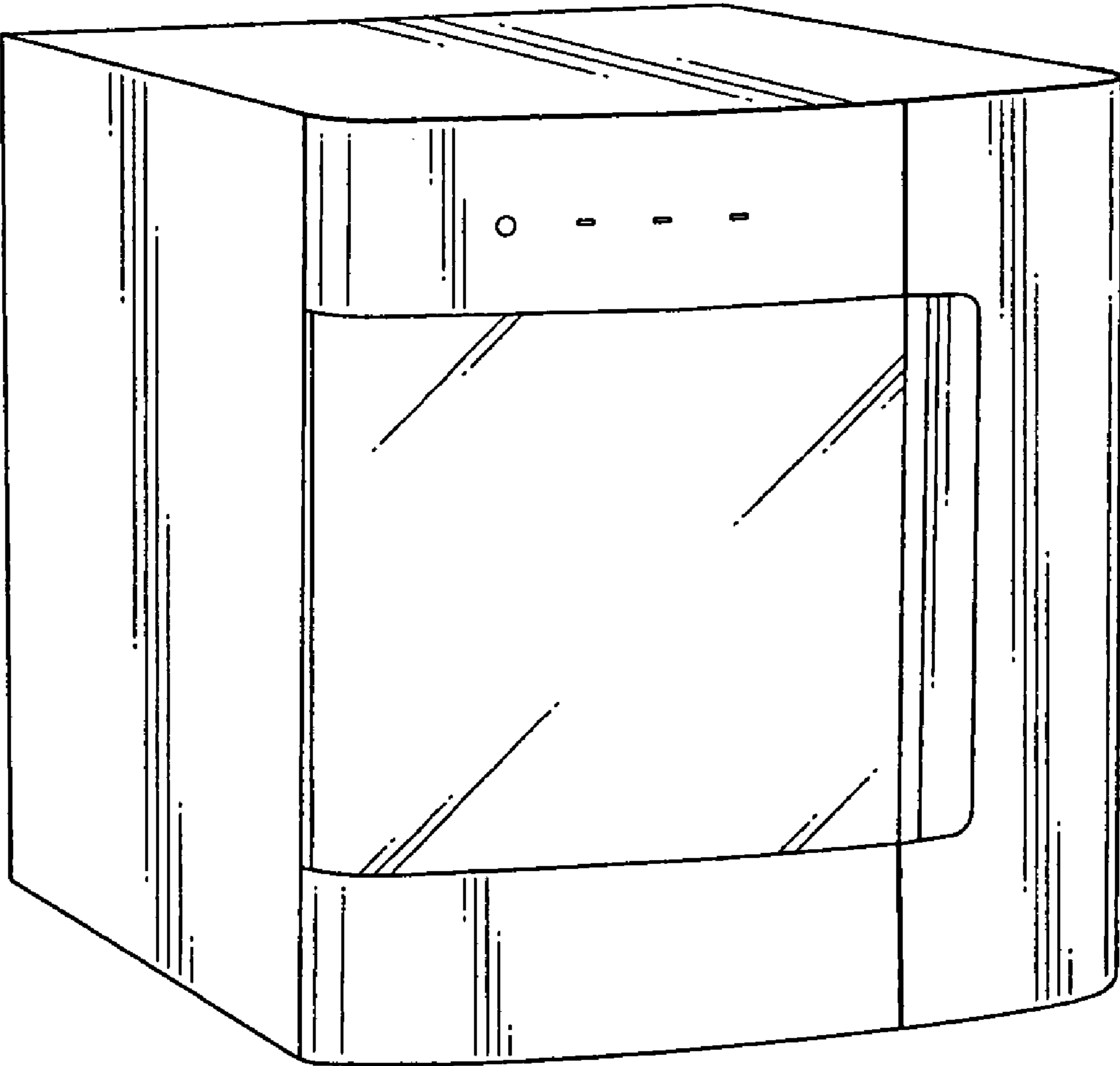


FIG.2

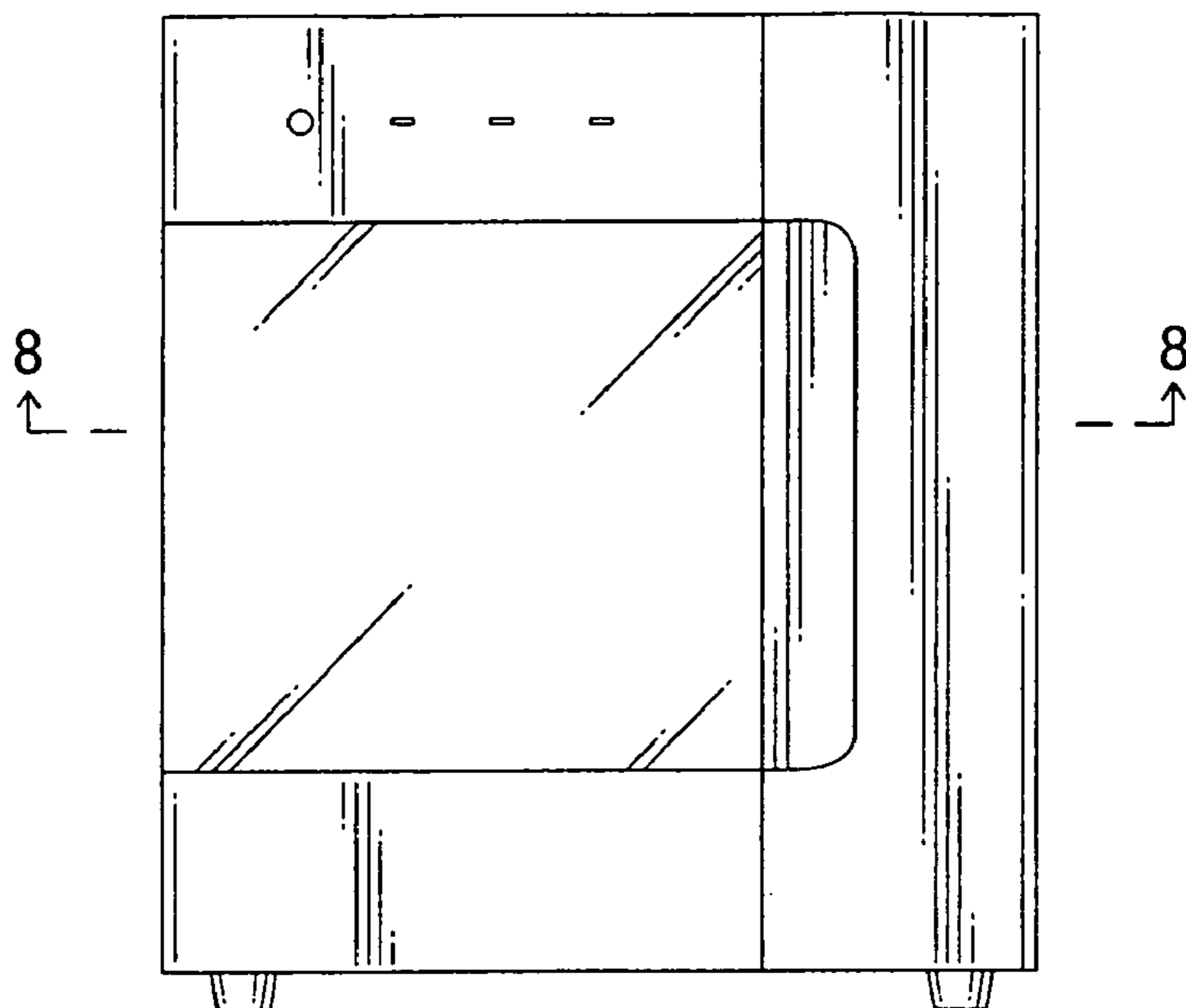


FIG.3

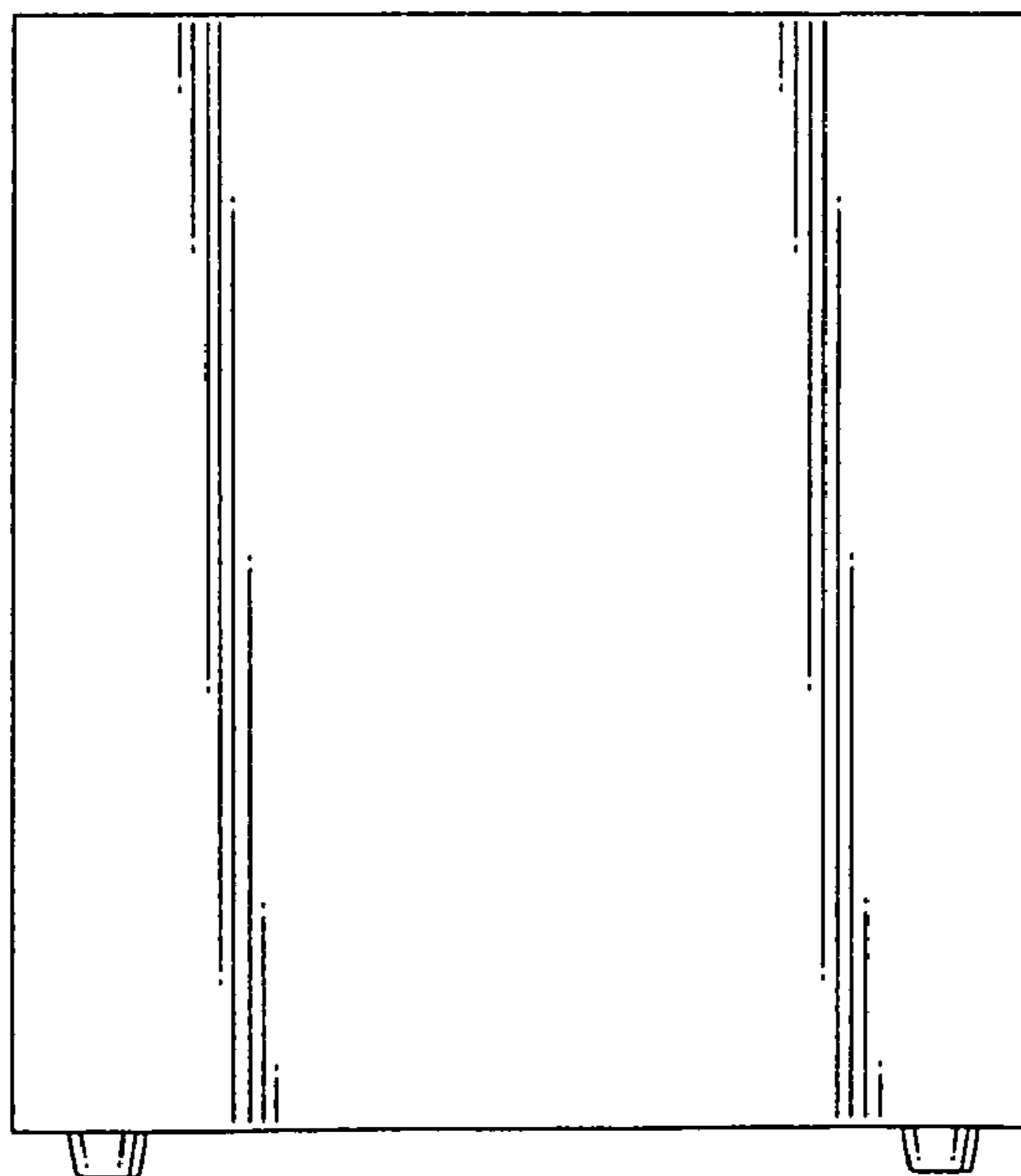


FIG.4

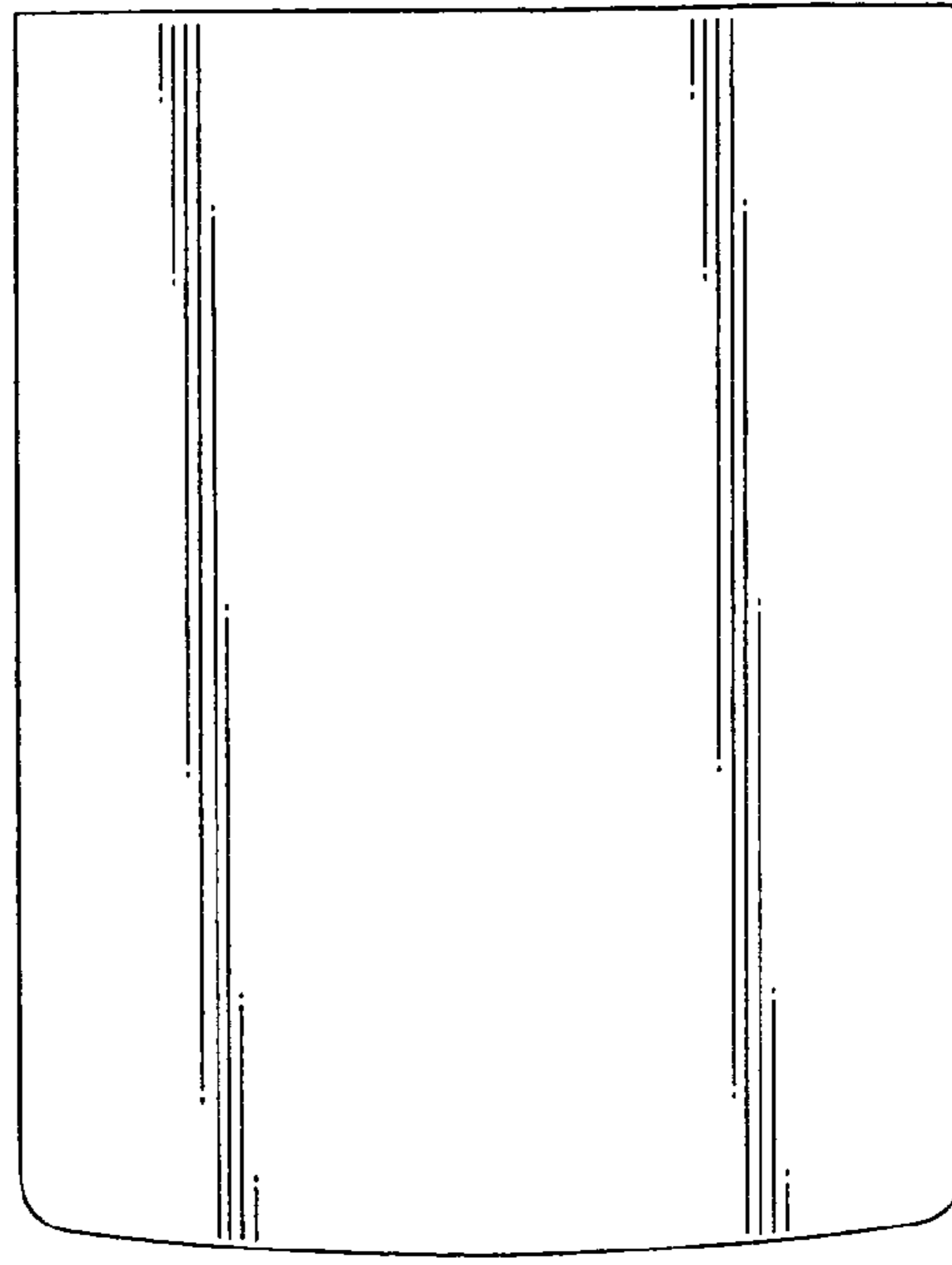


FIG.5

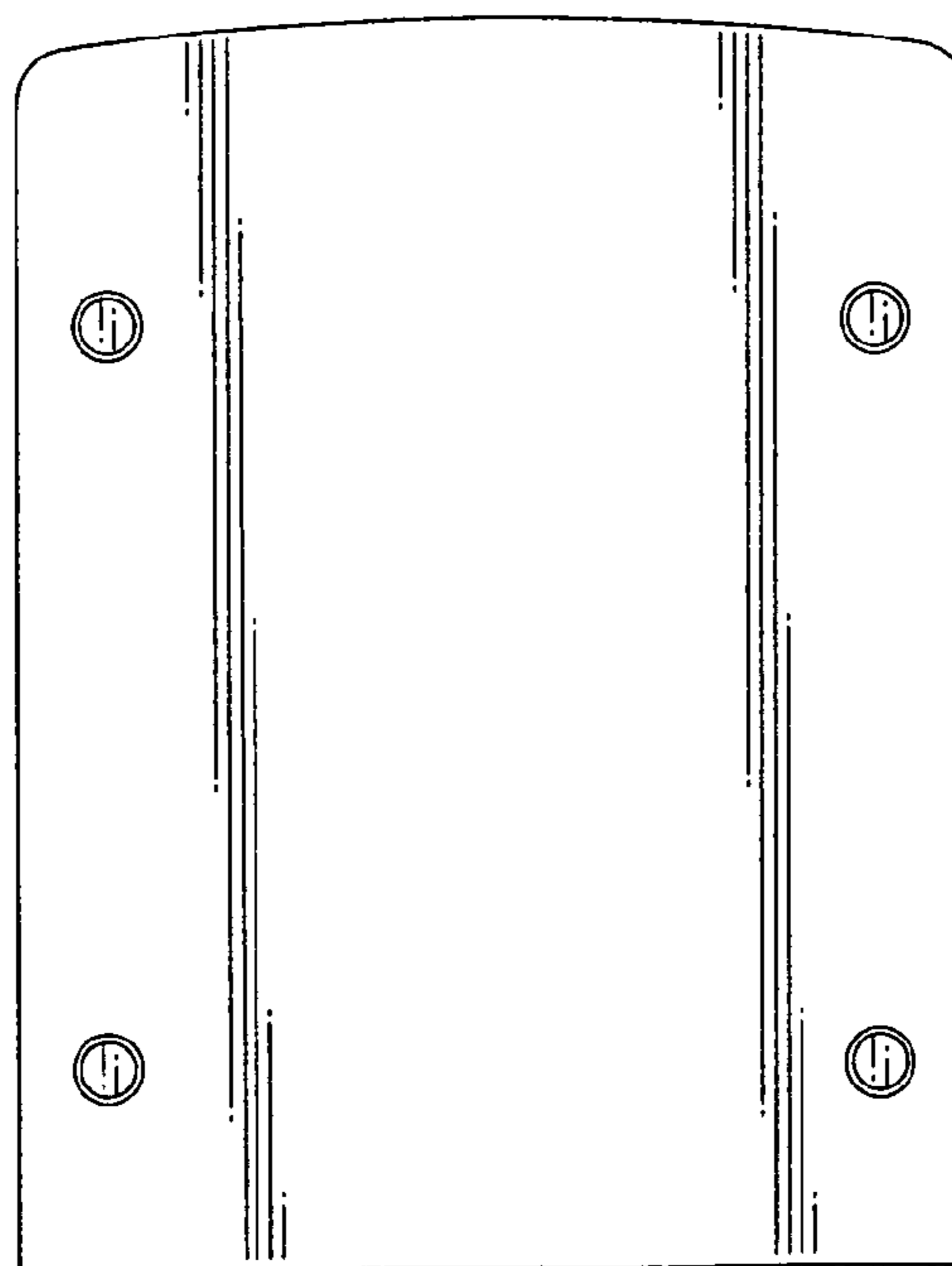


FIG.6

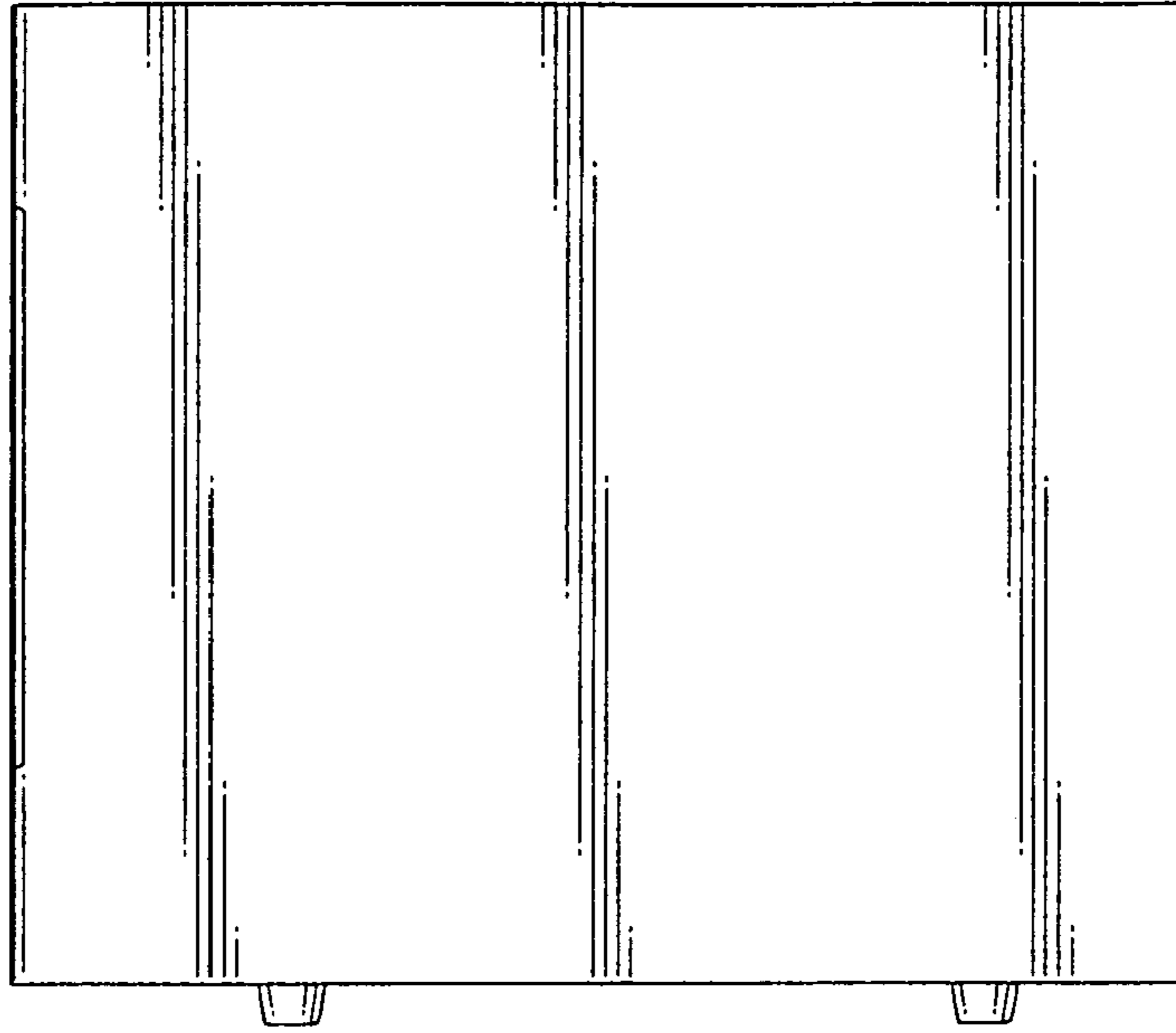


FIG.7

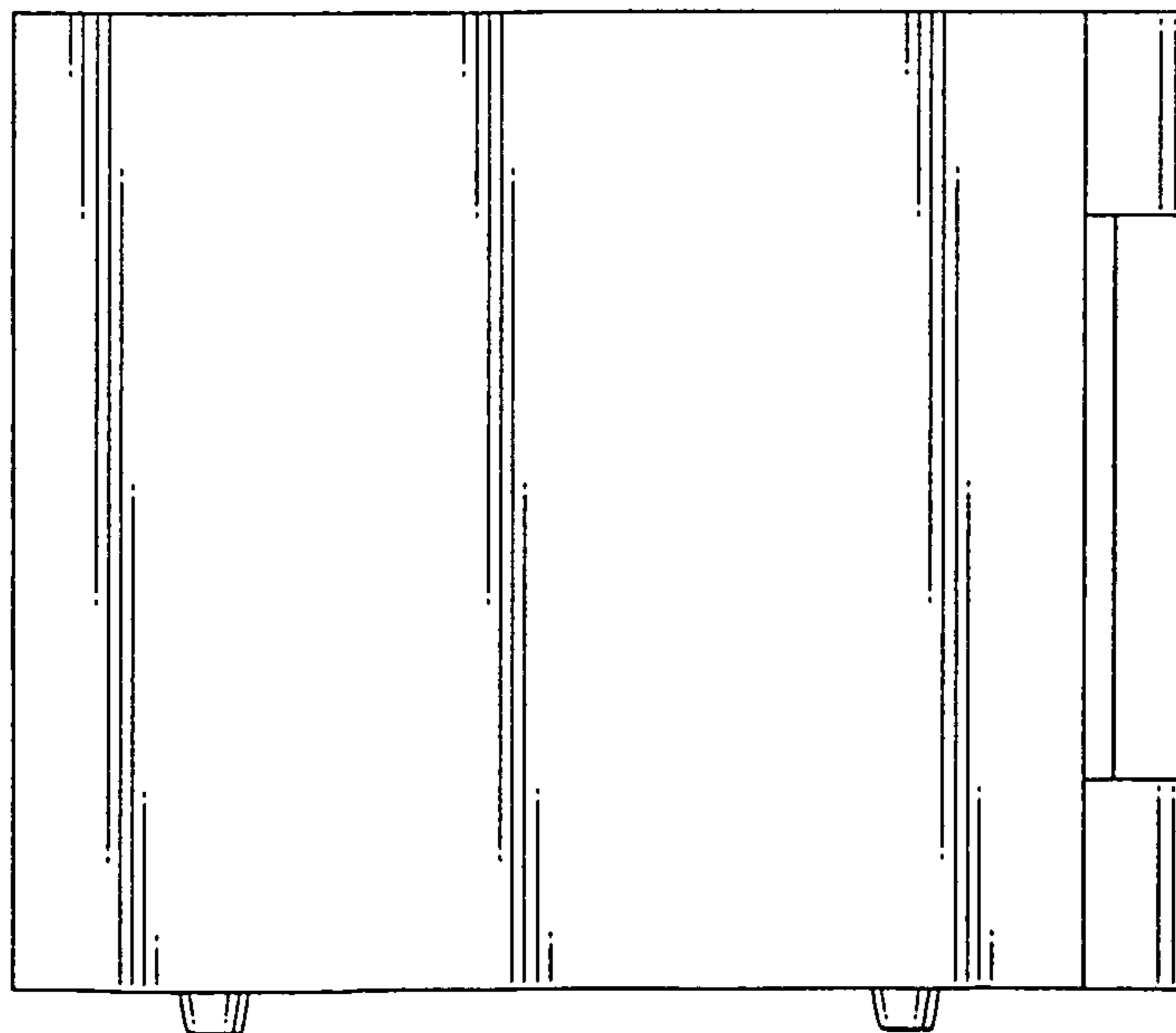


FIG.8

