



US00D599232S

(12) **United States Design Patent**
Dananay et al.

(10) **Patent No.:** **US D599,232 S**

(45) **Date of Patent:** **** Sep. 1, 2009**

(54) **UNIVERSAL CURRENT LEAKAGE TESTING ADAPTER**

5,920,451 A * 7/1999 Fasano et al. 361/45
2009/0086389 A1* 4/2009 Huang et al. 361/45

(75) Inventors: **Steven Emil Dananay**, Longmont, CO (US); **G. Wayne Moore**, Lyons, CO (US); **James Ginther**, Boulder, CO (US)

* cited by examiner

Primary Examiner—Antoine D Davis

(73) Assignee: **Sonora Medical Systems, Inc.**, Longmont, CO (US)

(74) *Attorney, Agent, or Firm*—Townsend, Townsend & Crew LLP

(**) Term: **14 Years**

(57) **CLAIM**

(21) Appl. No.: **29/327,197**

The ornamental design for universal current leakage testing adapter, as shown and described.

(22) Filed: **Oct. 31, 2008**

DESCRIPTION

(51) **LOC (9) Cl.** **10-04**

FIG. 1 is a top view thereof;

(52) **U.S. Cl.** **D10/78**

FIG. 2 is a side view thereof;

(58) **Field of Classification Search** D10/75,

FIG. 3 is an end view thereof; and,

D10/78, 103; 324/127, 133; 361/45, 98

FIG. 4 is a perspective view thereof.

See application file for complete search history.

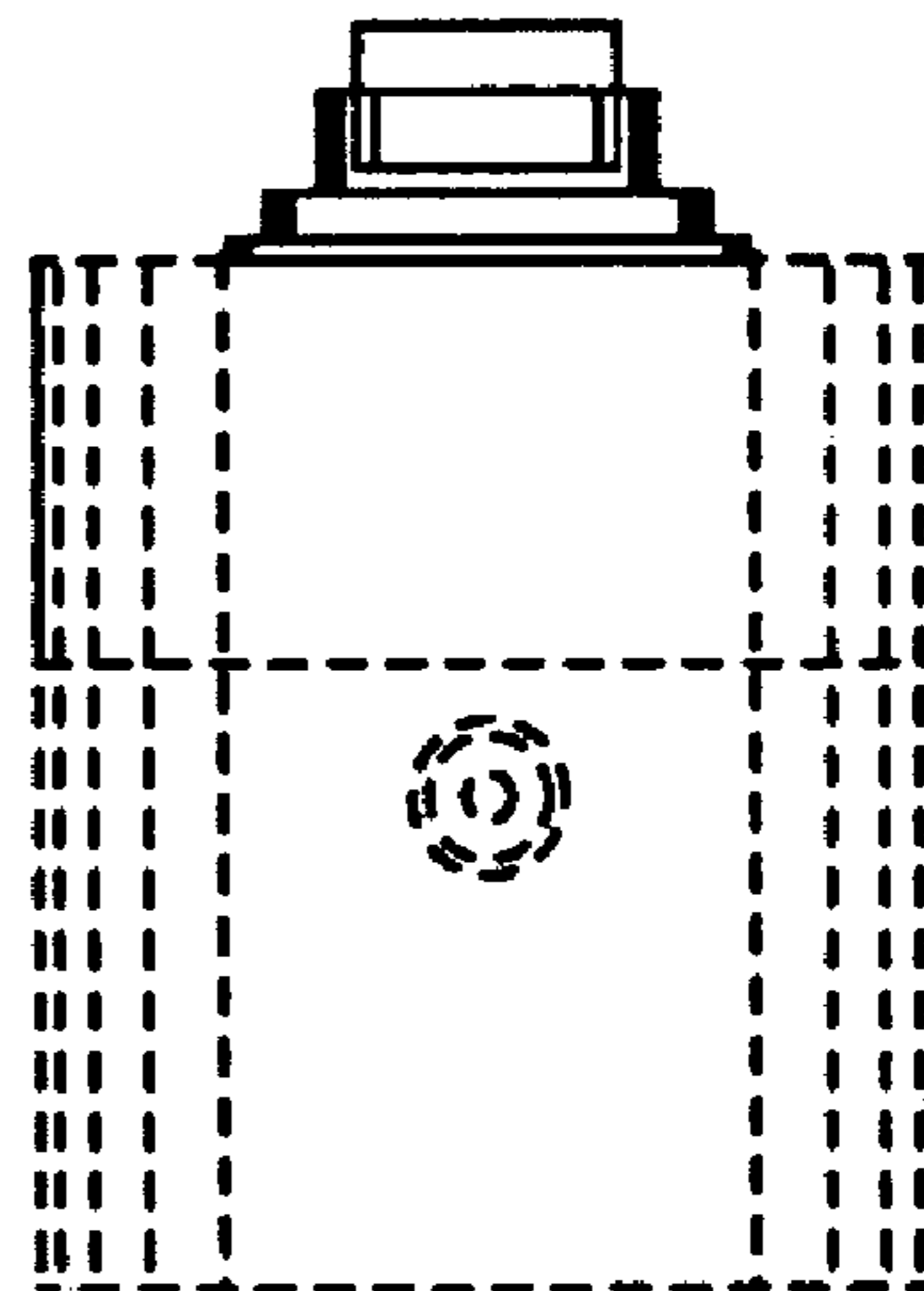
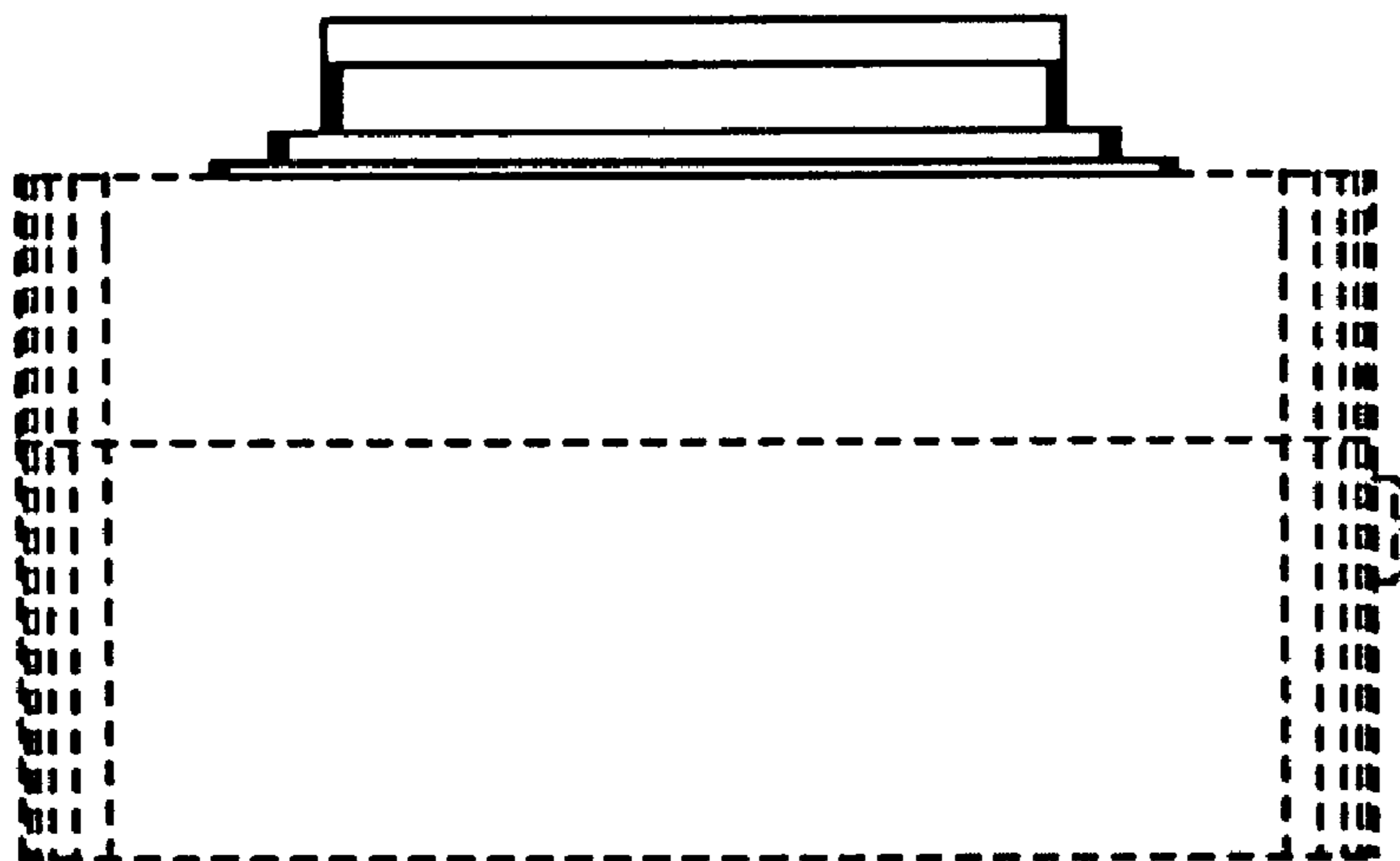
The portions shown in shadow line are for illustrative purposes only and form no part of the claimed design.

(56) **References Cited**

U.S. PATENT DOCUMENTS

1 Claim, 2 Drawing Sheets

3,857,096 A * 12/1974 Gregory 324/127



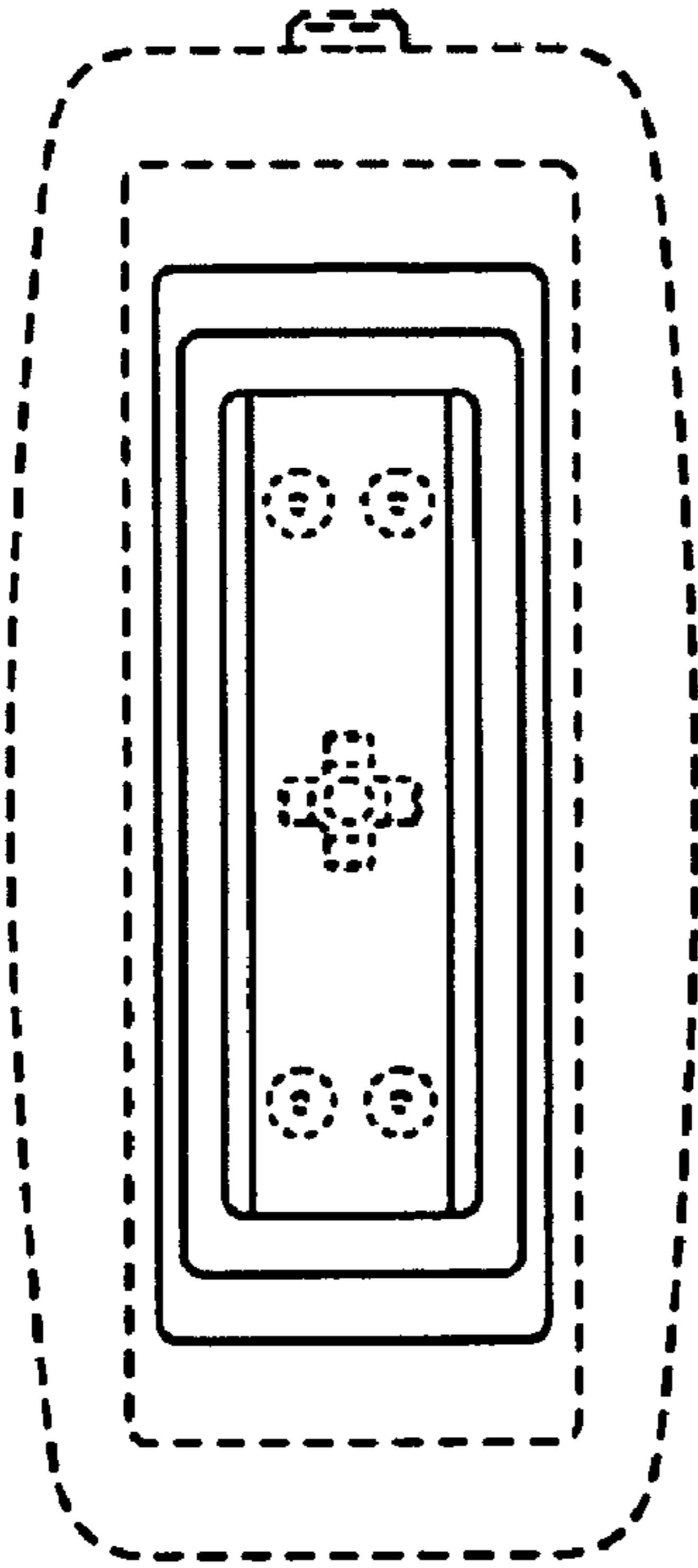


Fig. 1

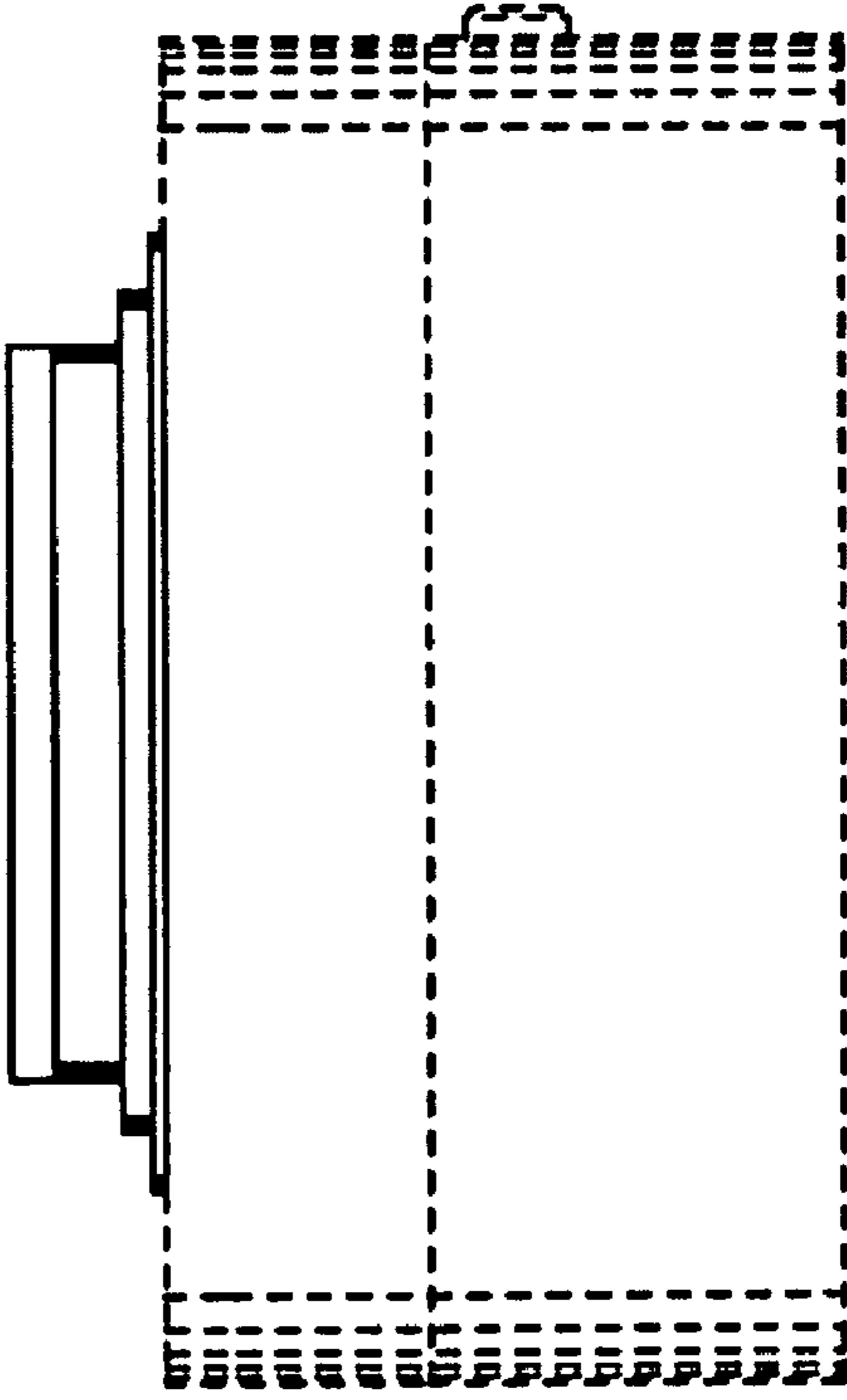


Fig. 2

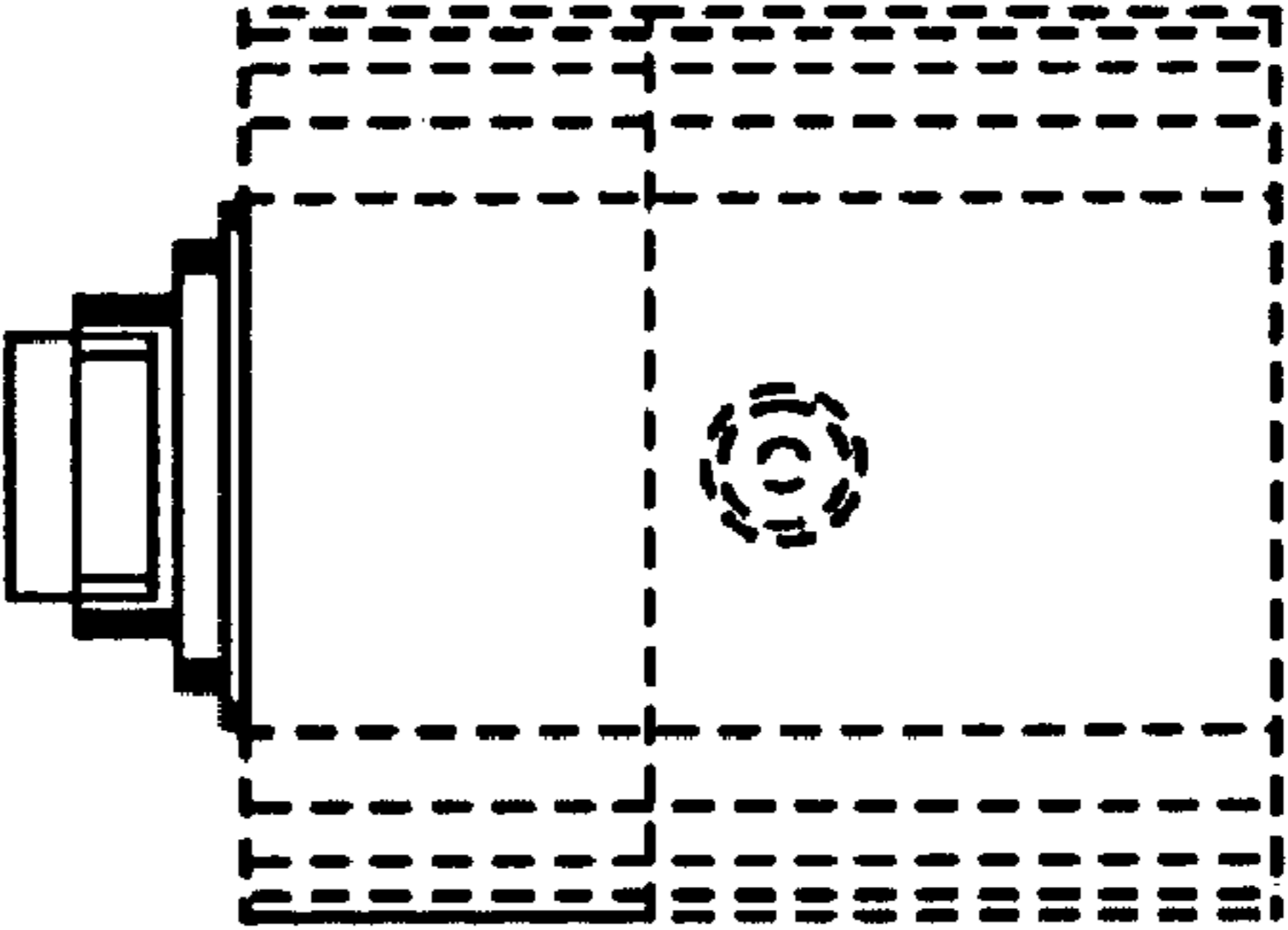


Fig. 3

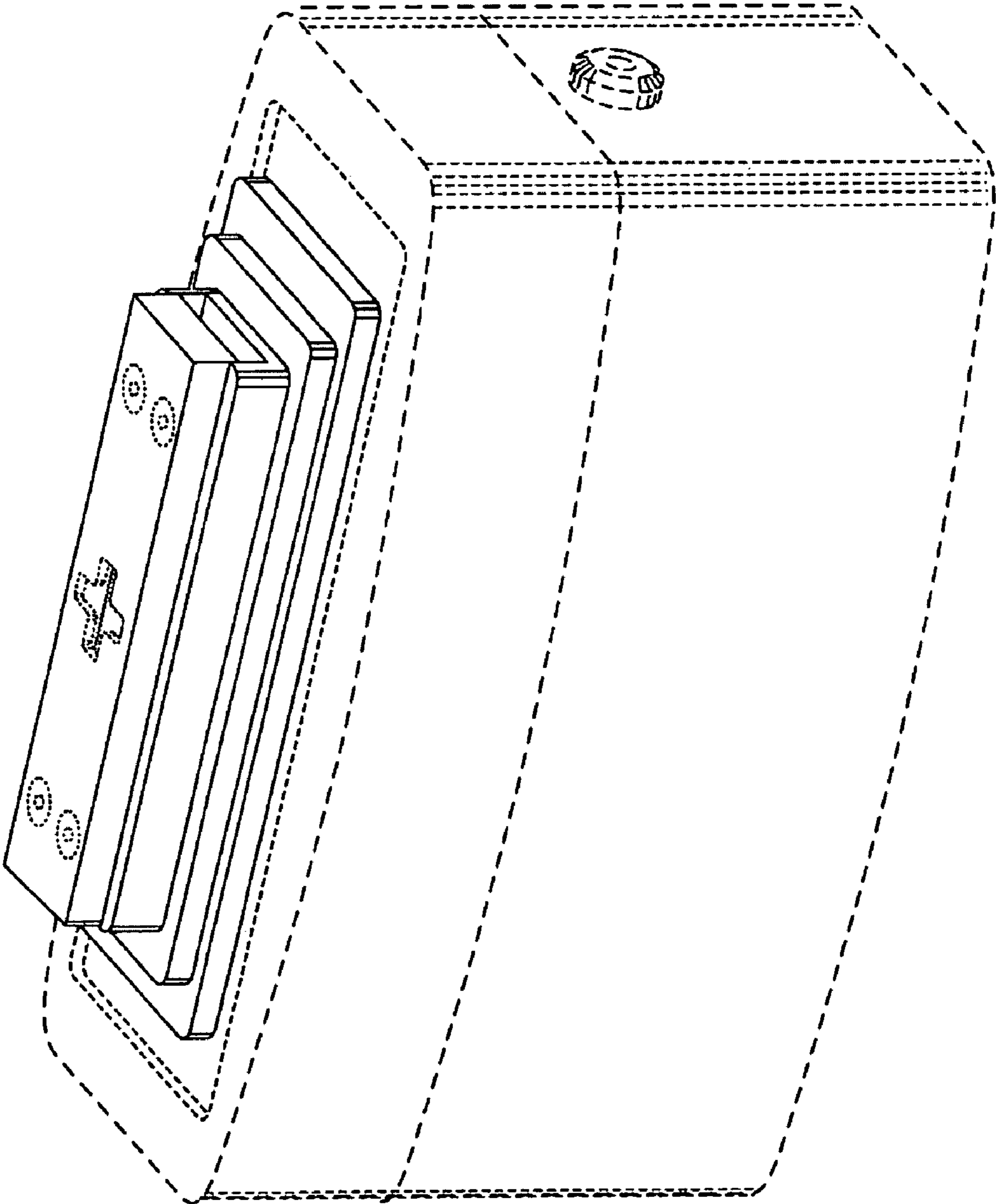


Fig. 4